



US00D864657S

(12) **United States Design Patent**
Omdahl, II et al.

(10) **Patent No.:** **US D864,657 S**
(45) **Date of Patent:** **** Oct. 29, 2019**

- (54) **LID**
- (71) Applicant: **Runway Blue, LLC**, Lehi, UT (US)
- (72) Inventors: **John R. Omdahl, II**, Lindon, UT (US);
David O. Meyers, East Layton, UT (US)
- (73) Assignee: **Runway Blue, LLC**, Alpine, UT (US)
- (**) Term: **15 Years**
- (21) Appl. No.: **29/598,766**
- (22) Filed: **Mar. 28, 2017**
- (51) **LOC (12) Cl.** **07-99**
- (52) **U.S. Cl.**
USPC **D7/392.1**
- (58) **Field of Classification Search**
USPC D3/202; D7/300, 300.1, 313, 314, 316,
D7/387, 392, 392.1, 393, 396.1, 396.2,
D7/397, 398, 401.1, 509, 510, 511, 523,
D7/525, 526, 527, 528, 900; D9/434,
D9/435, 436, 437, 438, 440, 443, 446,
D9/447, 448, 449, 452, 453, 454, 686,
D9/688, 690, 723, 724, 763, 772
CPC B65D 39/00; B65D 39/0047; B65D
39/0005; B65D 39/02; B65D 39/08;
B65D 39/14; B65D 39/19; B65D 50/00;
B65D 50/041; B65D 2543/00092; B65D
2543/00351; B65D 2543/00555; B65D
2543/00685; B65D 2543/00796; B65D
2543/00296; B65D 2543/00416; B65D
2543/00638; B65D 2543/00731; B65D
21/0228; B65D 51/02; B65D 51/04;
B65D 51/18; B65D 51/28; B65D 51/242;
B65D 51/2814; B65D 51/2821; B65D
47/0895; B65D 47/148; B65D 47/36;
B65D 43/02; B65D 43/14; B65D 43/16;
B65D 43/26; B65D 43/0202; B65D
43/0208; B65D 41/0483; B65D 41/0421;
B65D 41/0485; B65D 41/3428; B65D
41/48; B65D 41/485; B65D 41/045;

B65D 71/00; B65D 5/504; B65D 5/36;
B65D 41/16; B65D 41/17; B65D 41/26;
B65D 41/32; B65D 41/0492; B65D
41/0471; B65D 41/0428; B65D 41/0414;
B65D 41/026; B65D 41/023;
(Continued)

(56) **References Cited**

U.S. PATENT DOCUMENTS

D626,837 S * 11/2010 Meyers D9/443
D628,483 S * 12/2010 McKinney D9/449
(Continued)

FOREIGN PATENT DOCUMENTS

WO WO-2015109197 A1 * 7/2015 A47J 43/27
WO WO-2016163924 A1 * 10/2016 A45F 3/18

Primary Examiner — Jennifer Rivard
Assistant Examiner — Catherine S Posthauer
(74) *Attorney, Agent, or Firm* — Sterne, Kessler,
Goldstein & Fox P.L.L.C.

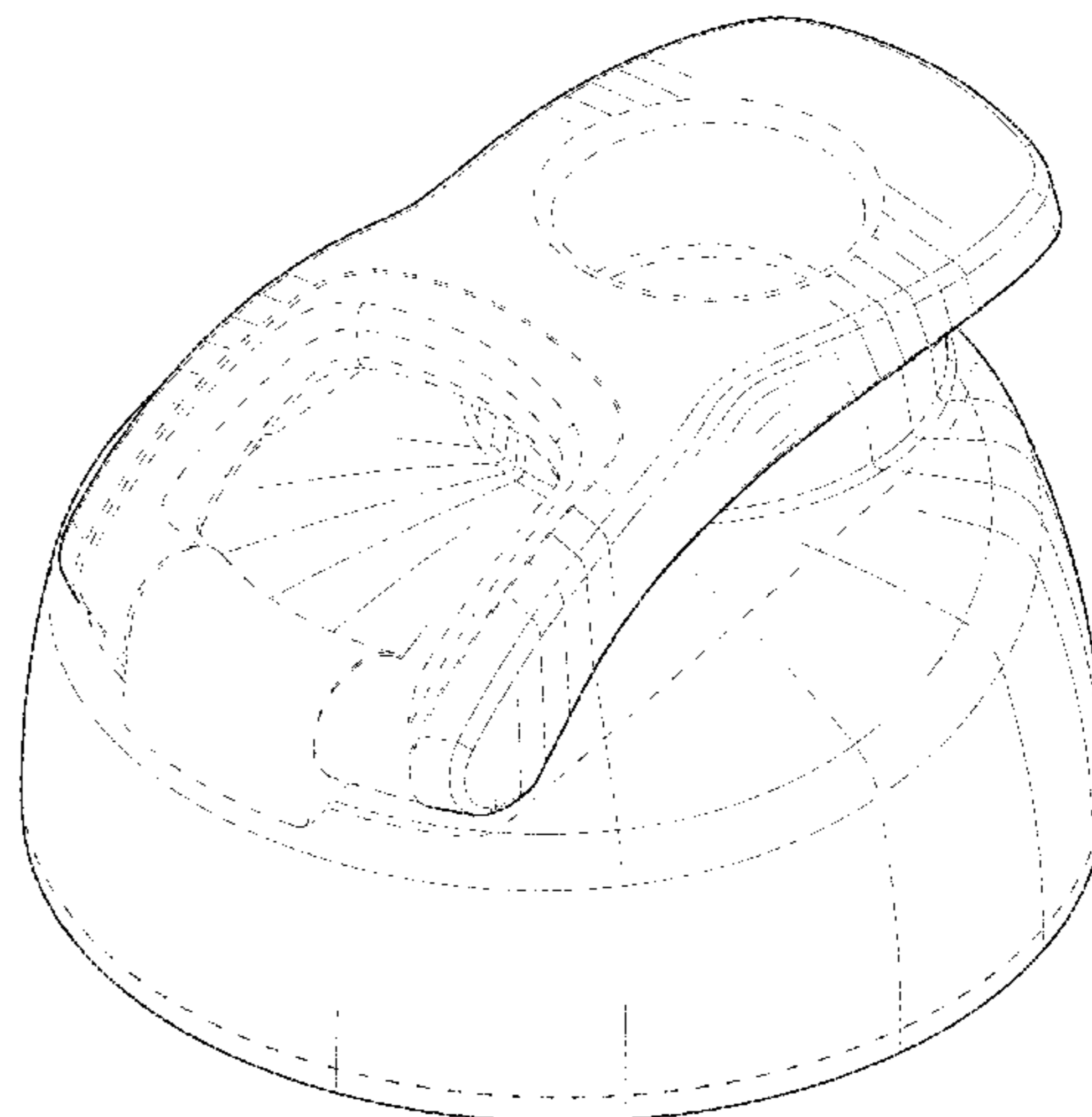
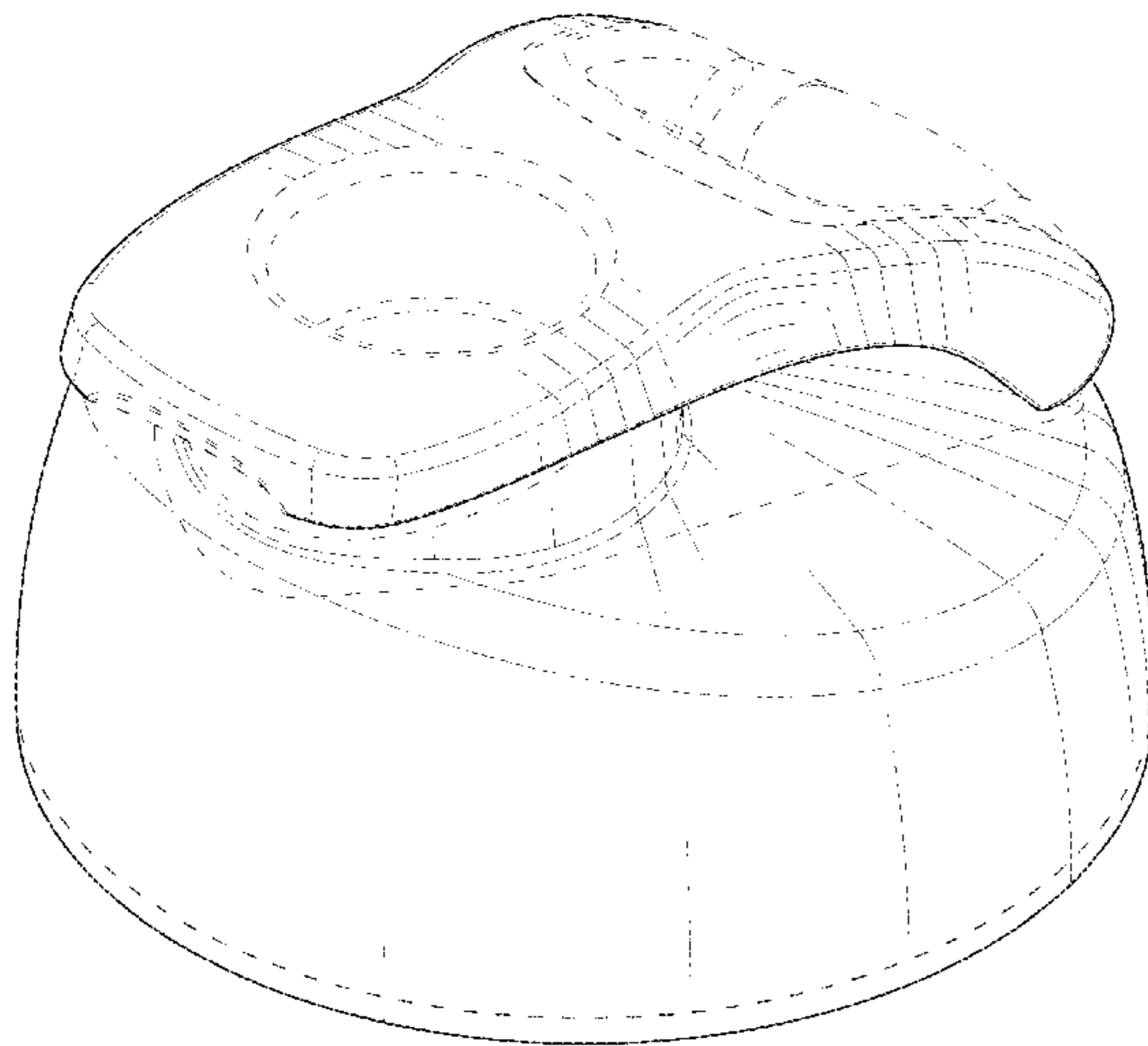
(57) **CLAIM**

The ornamental design for a lid, as shown and described.

DESCRIPTION

FIG. 1 is a top front perspective view of an embodiment of a lid, showing our new design;
FIG. 2 is a top rear perspective view of the lid shown in FIG. 1;
FIG. 3 is a front view of the lid shown in FIG. 1;
FIG. 4 is a rear view of the lid shown in FIG. 1;
FIG. 5 is a left side view of the lid shown in FIG. 1;
FIG. 6 is a right side view of the lid shown in FIG. 1;
FIG. 7 is a top view of the lid shown in FIG. 1; and,
FIG. 8 is a bottom view of the lid shown in FIG. 1.
The broken lines represent both parts of the article that form no part of the claim as well as boundaries of the claim.

1 Claim, 8 Drawing Sheets



(58) **Field of Classification Search**

CPC B65D 41/003; B65D 41/02; B65D 41/00;
 B65D 53/00; B65D 53/02; B65D 53/04;
 B65D 2255/00; B65D 47/08; B65D
 47/265; B65D 41/005; B65D 41/025;
 B65D 55/02; B65D 55/024; A47J 43/27;
 A47J 36/06; A47J 36/10; A47J 36/14;
 A47G 19/22; A47G 19/2205; A47G
 19/2222; A47G 19/2266; A47G 19/2272;
 A47G 19/2294; A47D 34/00; A61J
 2205/50

See application file for complete search history.

(56) **References Cited**

U.S. PATENT DOCUMENTS

D690,989 S * 10/2013 Cetera D7/392.1
 D696,551 S * 12/2013 Meyers D7/392.1
 D699,996 S * 2/2014 De Leo D7/300.1
 D719,780 S * 12/2014 Sullivan D7/392.1
 D730,694 S * 6/2015 Elsaden D7/511
 D739,174 S * 9/2015 Elsaden D7/392.1
 D739,674 S * 9/2015 Bergstrom D7/300.1
 D745,827 S * 12/2015 Sorensen D7/392.1
 D747,624 S * 1/2016 Walker D7/392.1

D748,430 S * 2/2016 Sorensen D7/392.1
 D748,478 S * 2/2016 Sorensen D9/443
 D748,943 S * 2/2016 Miller D7/392.1
 D758,127 S * 6/2016 Zhao D7/392.1
 D768,491 S * 10/2016 Sorensen D7/392.1
 D779,872 S * 2/2017 Bergstrom D7/392.1
 D780,516 S * 3/2017 Cornelius D7/510
 D794,386 S * 8/2017 Steel D7/396.2
 D799,270 S * 10/2017 Polk, III D7/510
 D802,366 S * 11/2017 Cerasani D7/510
 2011/0253733 A1 * 10/2011 Meyers B65D 47/089
 220/833
 2012/0061398 A1 * 3/2012 Nilsson A47J 43/27
 220/568
 2013/0062304 A1 * 3/2013 Meyers B65D 43/00
 215/240
 2014/0069918 A1 * 3/2014 Meyers B65D 51/242
 220/212.5
 2014/0091086 A1 * 4/2014 Sorensen A47G 19/2205
 220/4.27
 2014/0360908 A1 * 12/2014 Sorensen B65D 21/0228
 206/501
 2015/0329255 A1 * 11/2015 Rzepecki B65D 43/16
 222/189.06
 2017/0105581 A1 * 4/2017 Enghard A47J 43/27
 2017/0225850 A1 * 8/2017 Sorensen B65D 47/0895

* cited by examiner

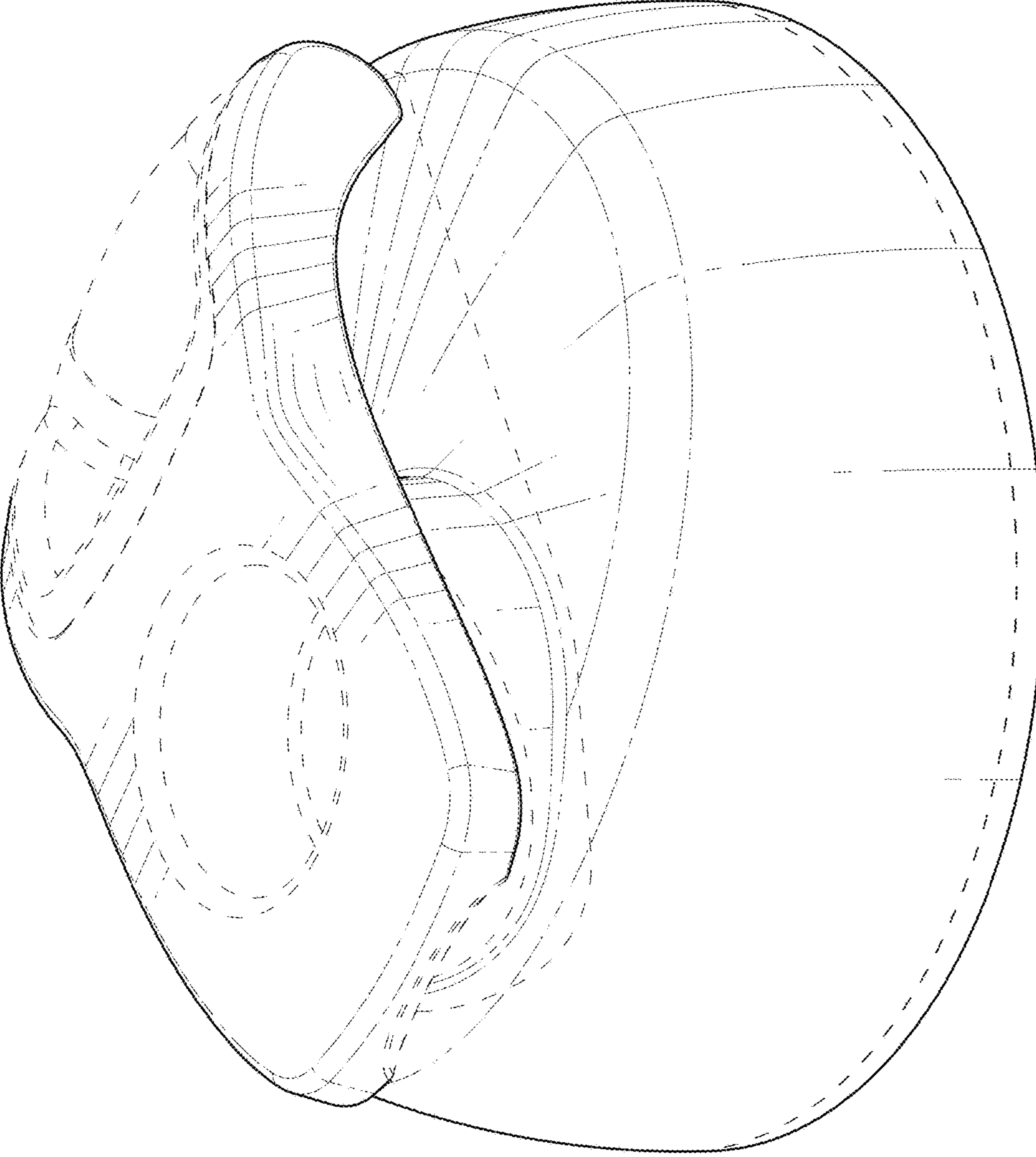


FIG. 1

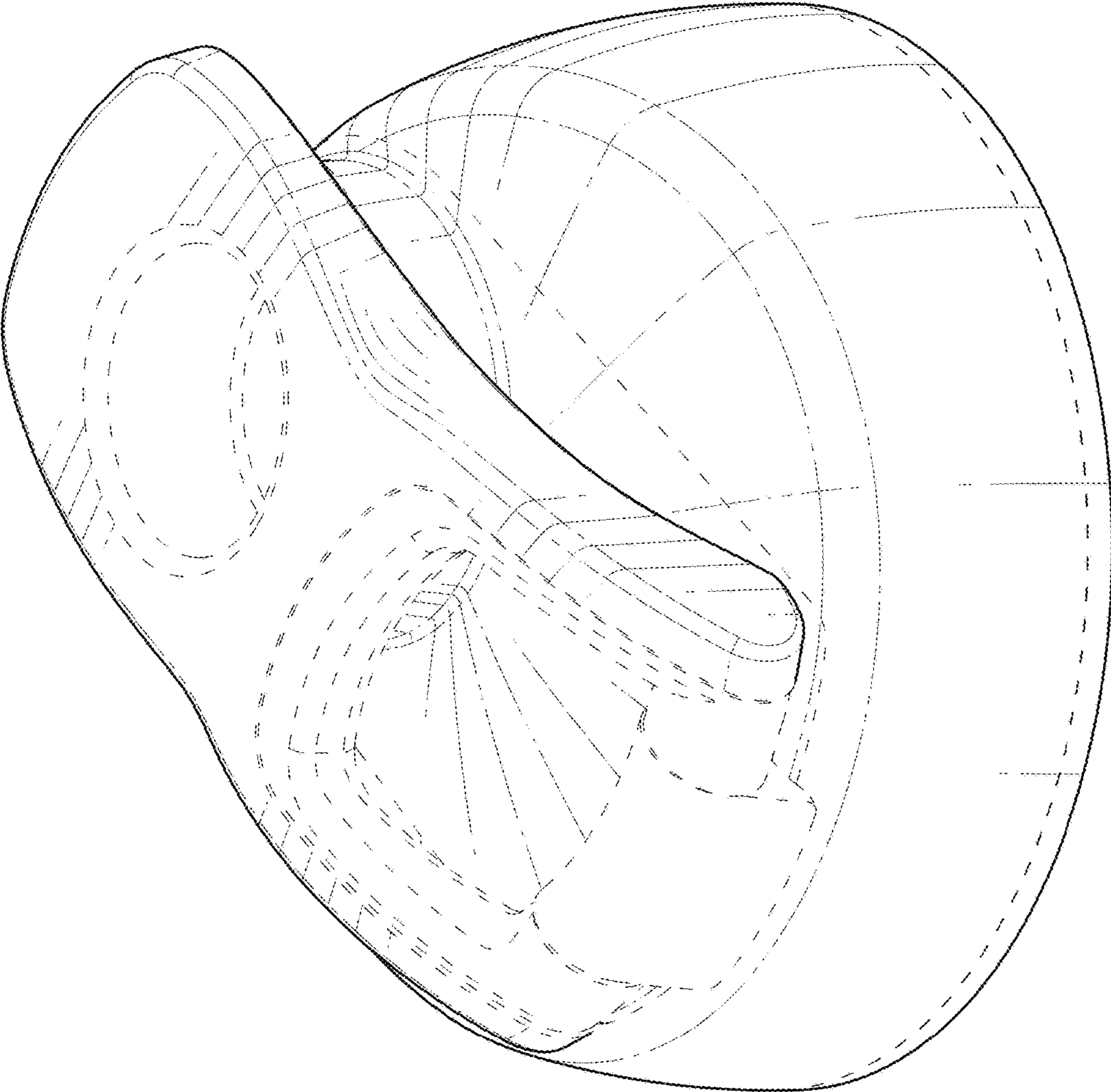


FIG. 2

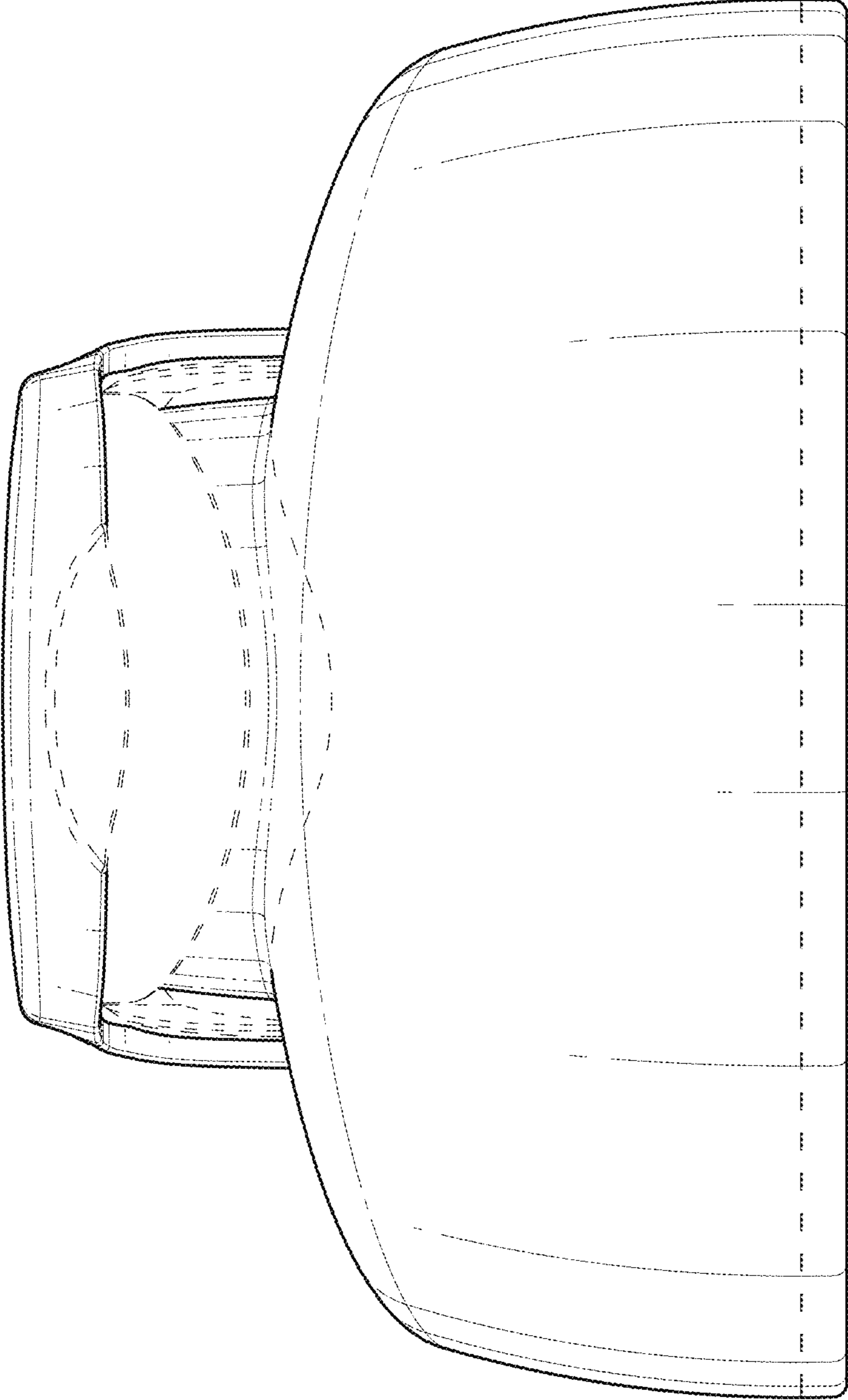


FIG. 3

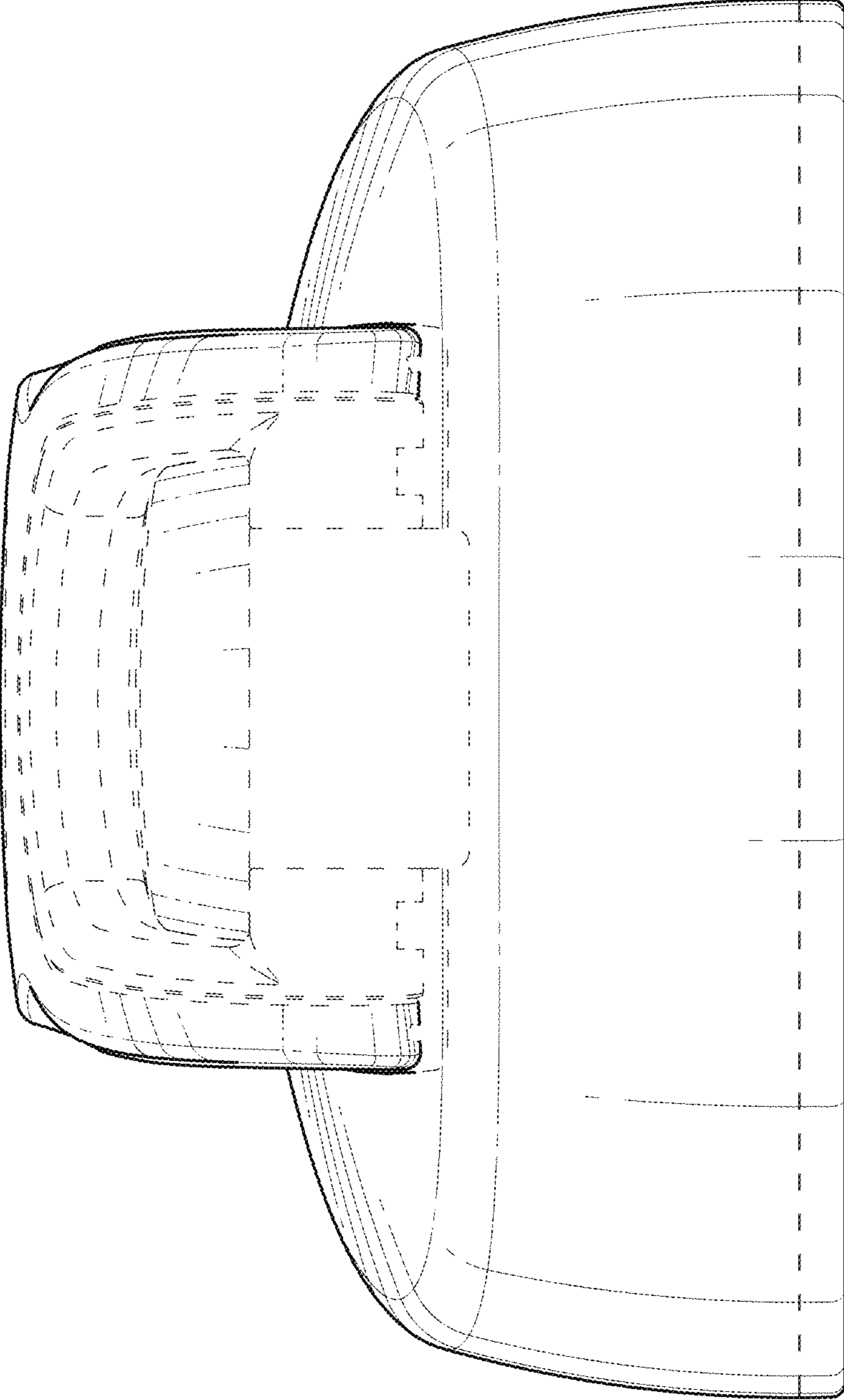


FIG. 4

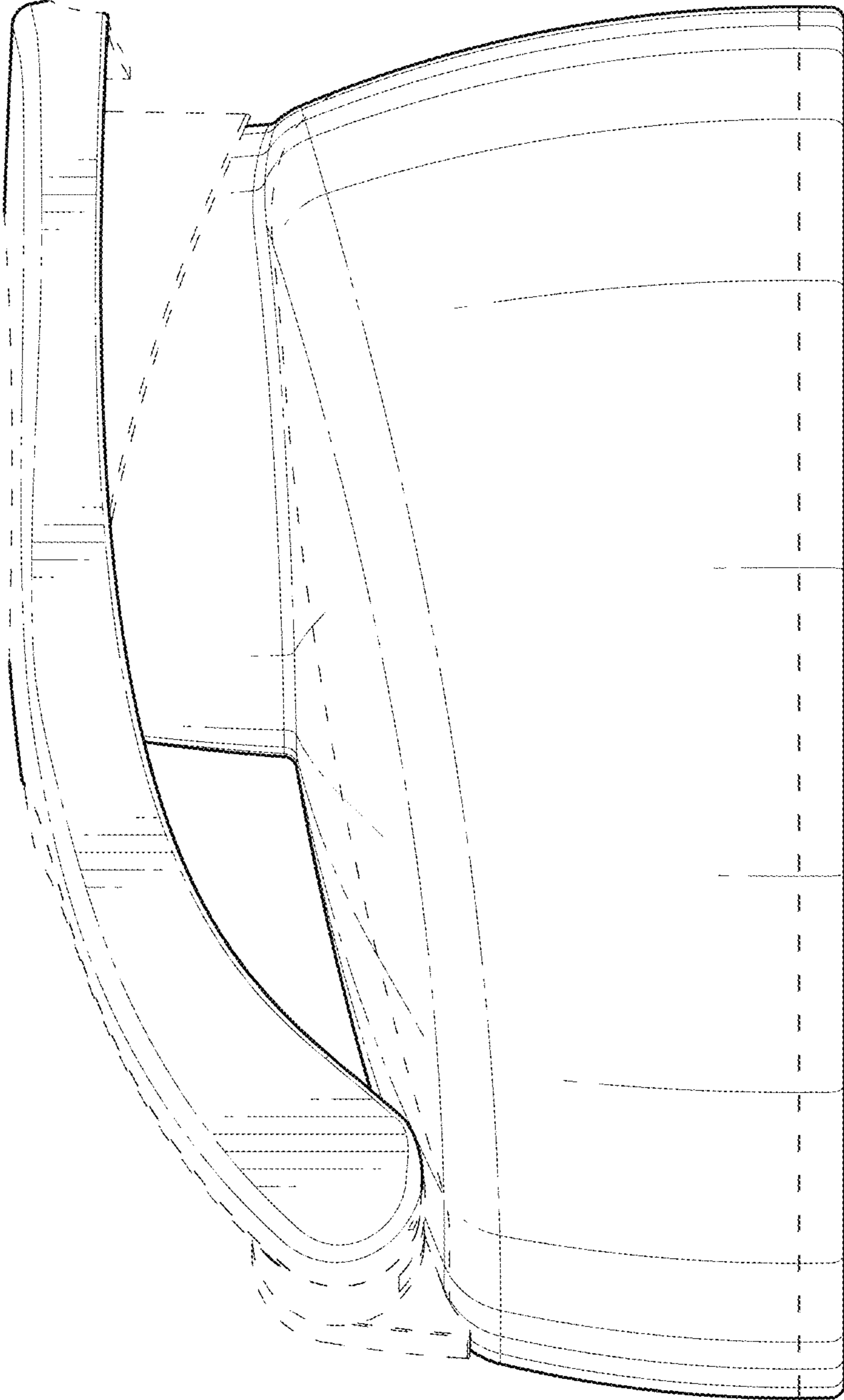


FIG. 5

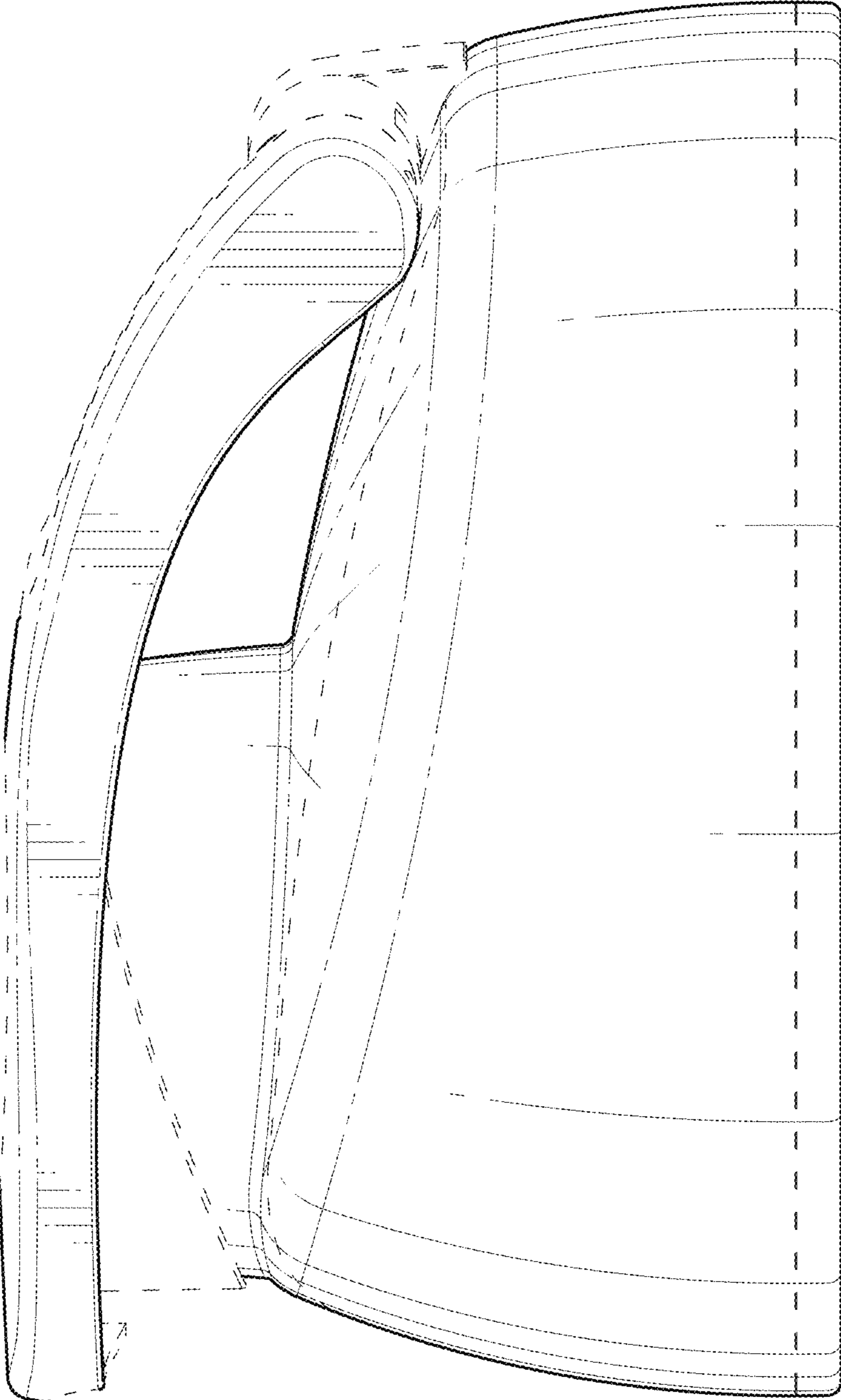


FIG. 6

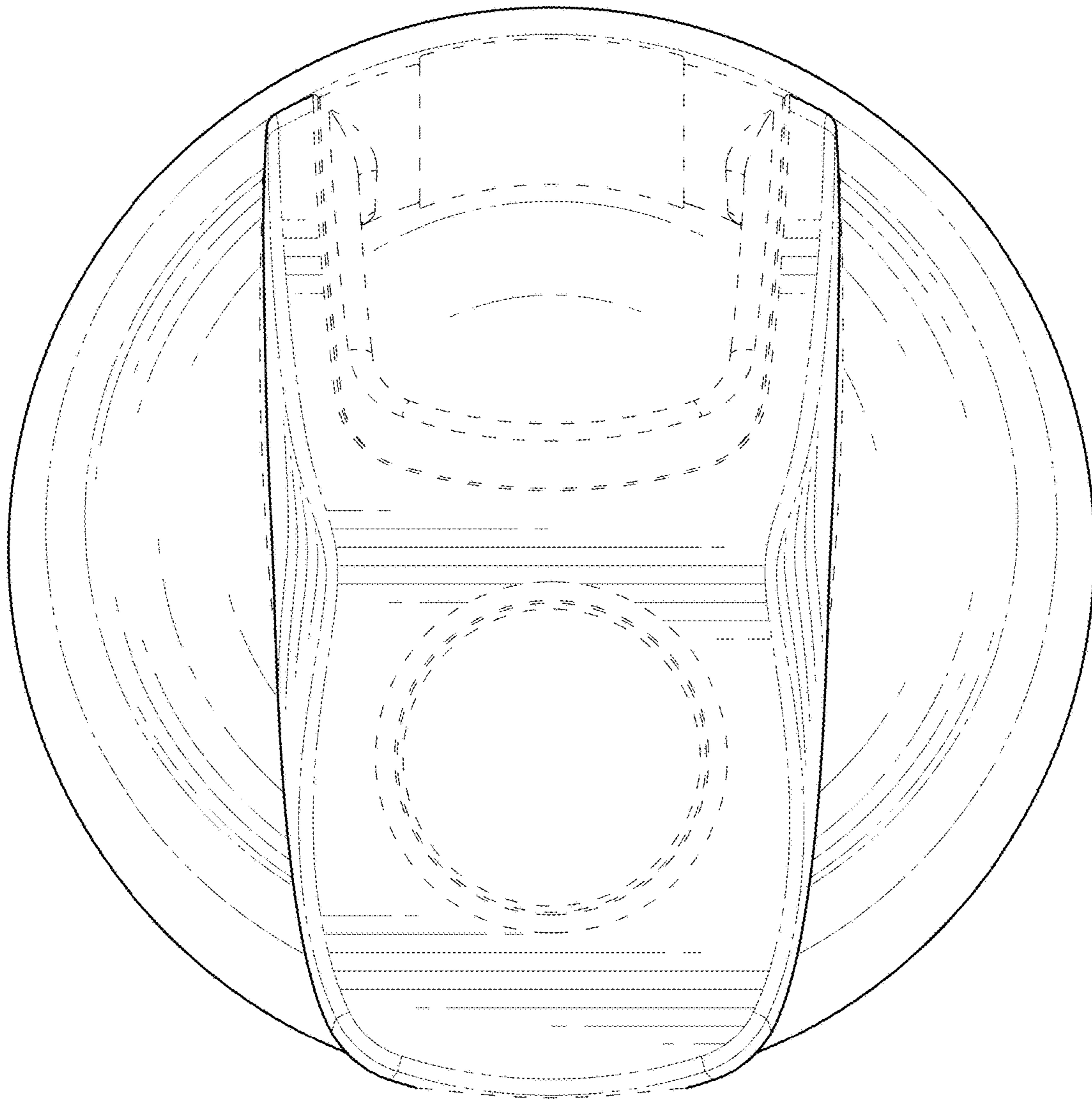


FIG. 7

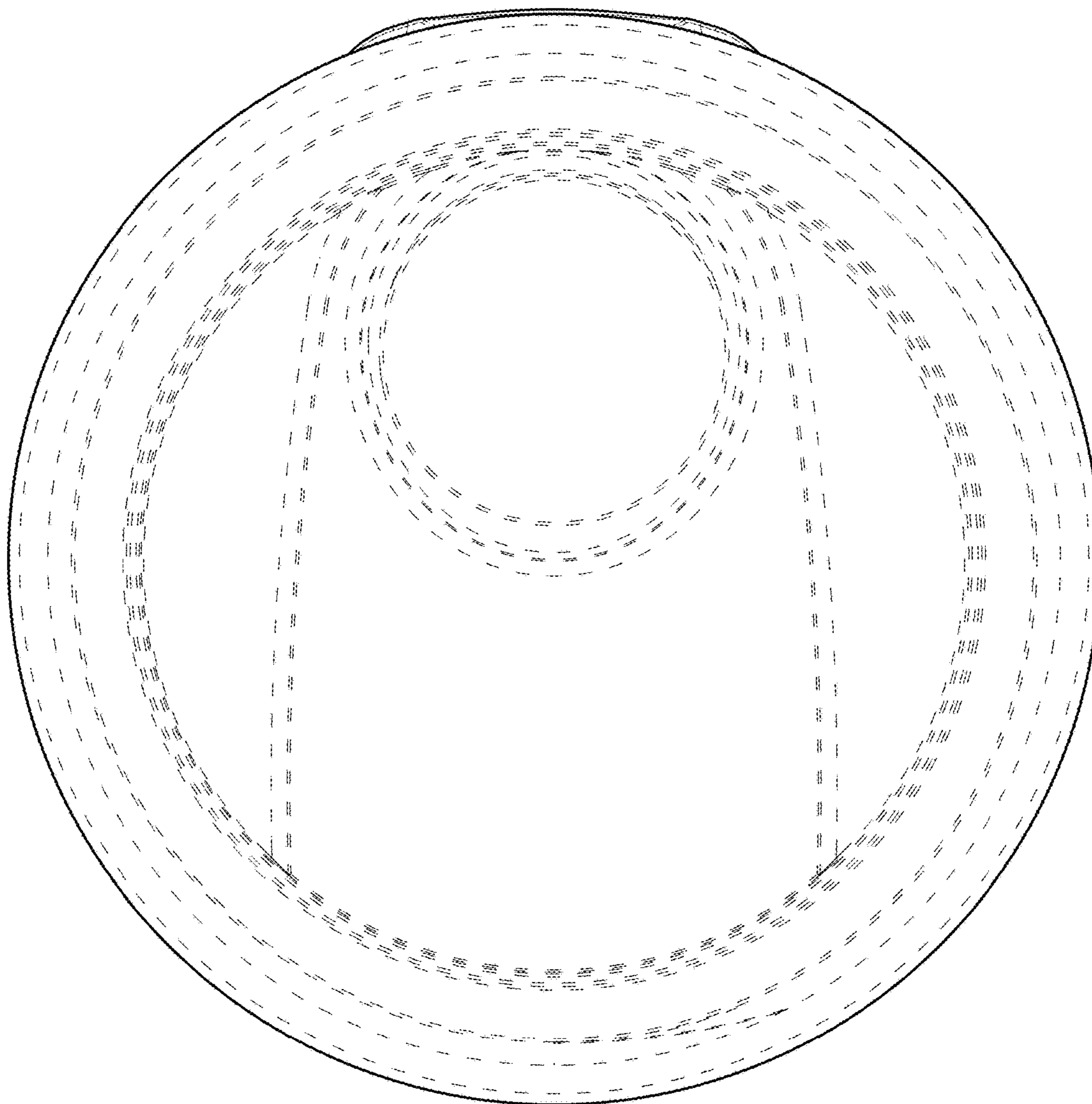


FIG. 8