

US00D864656S

(12) **United States Design Patent** (10) **Patent No.:** **US D864,656 S**
Carlson et al. (45) **Date of Patent:** **** Oct. 29, 2019**

(54) **MIXER GRINDER BASE**

A47J 43/0727; B01F 3/00; B01F 3/0807;
B01F 3/0853; B01F 13/0059; B01F
13/0064; B02C 1/08; B02C 2/04; B02C
4/42; B02C 4/142; B02C 4/143; B02C
4/423; B02C 13/1835; B28C 5/10; B28C
5/12; B28C 5/14; B28C 5/16; H02P
7/295

(71) Applicants: **Drew Carlson**, Henrico, VA (US);
Sagar Mistry, Bangalore (IN); **Shampa
Nakhate**, Bangalore (IN); **Kruttika
Gulhane**, Bangalore (IN); **Ashish
Handa**, Bangalore (IN); **Sajayesh
Vijayachandran**, Bangalore (IN);
Vishal Cholkar, Bangalore (IN);
Sanjeeb Behera, Bangalore (IN);
Pushkar Vichare, Bangalore (IN);
Vijayanand Gejji, Bangalore (IN)

See application file for complete search history.

(72) Inventors: **Drew Carlson**, Henrico, VA (US);
Sagar Mistry, Bangalore (IN); **Shampa
Nakhate**, Bangalore (IN); **Kruttika
Gulhane**, Bangalore (IN); **Ashish
Handa**, Bangalore (IN); **Sajayesh
Vijayachandran**, Bangalore (IN);
Vishal Cholkar, Bangalore (IN);
Sanjeeb Behera, Bangalore (IN);
Pushkar Vichare, Bangalore (IN);
Vijayanand Gejji, Bangalore (IN)

(56) **References Cited**

U.S. PATENT DOCUMENTS

3,548,280	A *	12/1970	Cockroft	H02P 7/295 318/443
D642,857	S *	8/2011	Bodum	D7/376
D642,858	S *	8/2011	Lazzer	D7/376
D731,234	S *	6/2015	Weaden	D7/376
D758,787	S *	6/2016	Ou	D7/376
D766,649	S *	9/2016	Suzuki	D7/376
D769,061	S *	10/2016	Diderotto	D7/376
D783,341	S *	4/2017	Palermo	D7/376

(Continued)

Primary Examiner — Ricky Pham

(74) *Attorney, Agent, or Firm* — Alexander D. Raring

(73) Assignee: **Hamilton Beach Brands, Inc.**, Glen
Allen, VA (US)

(57) **CLAIM**

The ornamental design for a mixer grinder base, as shown
and described.

(**) Term: **15 Years**

DESCRIPTION

(21) Appl. No.: **29/659,709**

FIG. 1 is a perspective view as seen from the top, front and
right sides of a mixer grinder base showing the new design;
FIG. 2 is a front view thereof;
FIG. 3 is a rear view thereof;
FIG. 4 is a left side view thereof;
FIG. 5 is a right side view thereof;
FIG. 6 is a top view thereof; and,
FIG. 7 is a bottom view thereof.

(22) Filed: **Aug. 10, 2018**

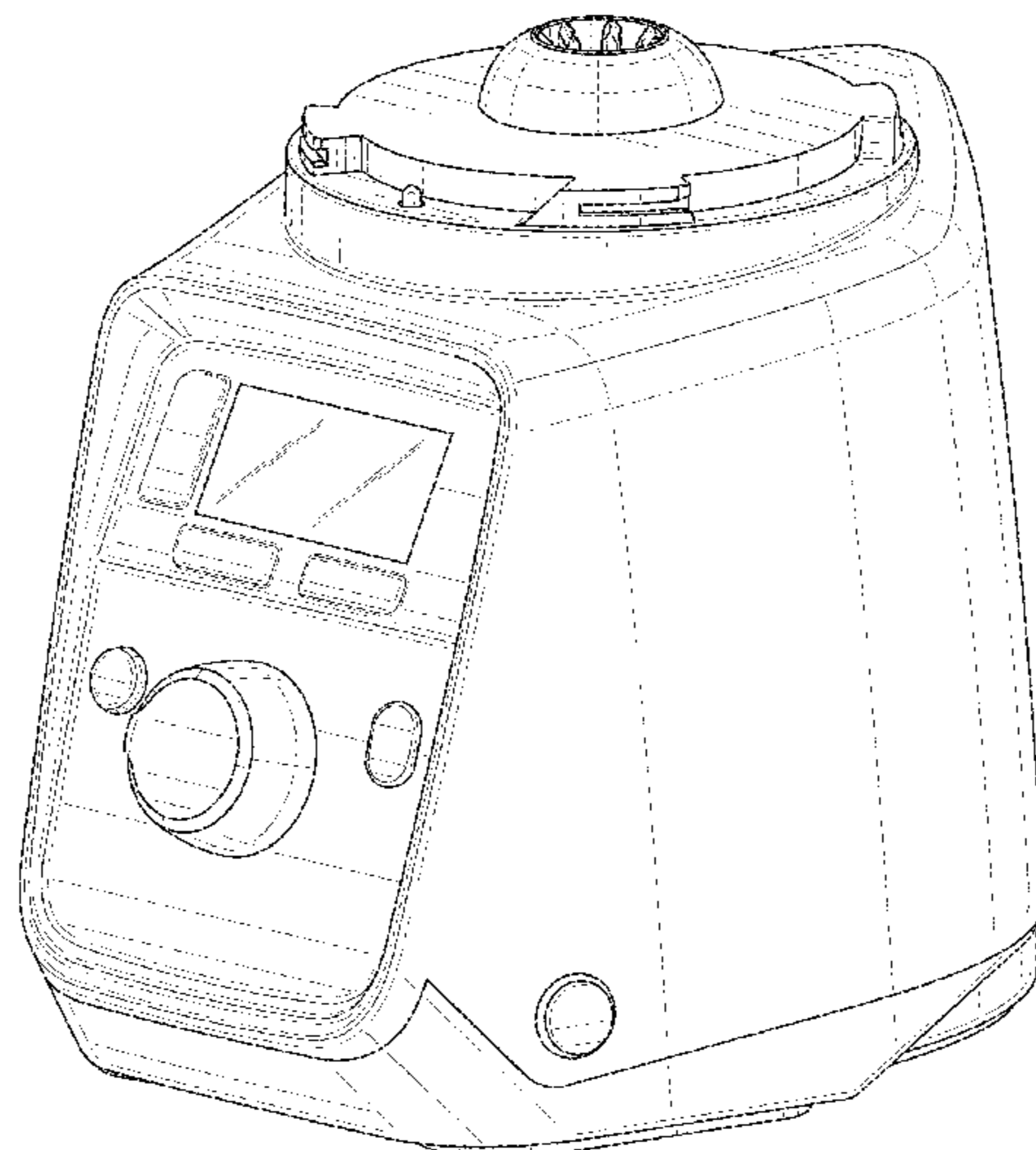
(51) **LOC (12) Cl.** **31-00**

(52) **U.S. Cl.**
USPC **D7/386; D7/376; D7/378; D7/412**

(58) **Field of Classification Search**
USPC **D7/372, 376-386, 412-413, 602, 629,
D7/665-666, 669, 679, 693-694**
CPC **A21C 1/02; A21C 1/04; A23N 1/00; A23N
1/02; A47J 43/04; A47J 43/25; A47J
43/27; A47J 43/042; A47J 43/044; A47J
43/046; A47J 43/075; A47J 43/0722;**

Broken lines in the Figures represent unclaimed subject
matter forming no part of the claimed design.

1 Claim, 7 Drawing Sheets



(56)

References Cited

U.S. PATENT DOCUMENTS

D817,082 S *	5/2018	Lee	D7/386
D828,080 S *	9/2018	Ou	D7/376
D830,115 S *	10/2018	Gee, II	D7/386
D842,643 S *	3/2019	Mullen	D7/378
D846,339 S *	4/2019	Smith	H02P 7/295
			D7/378

* cited by examiner

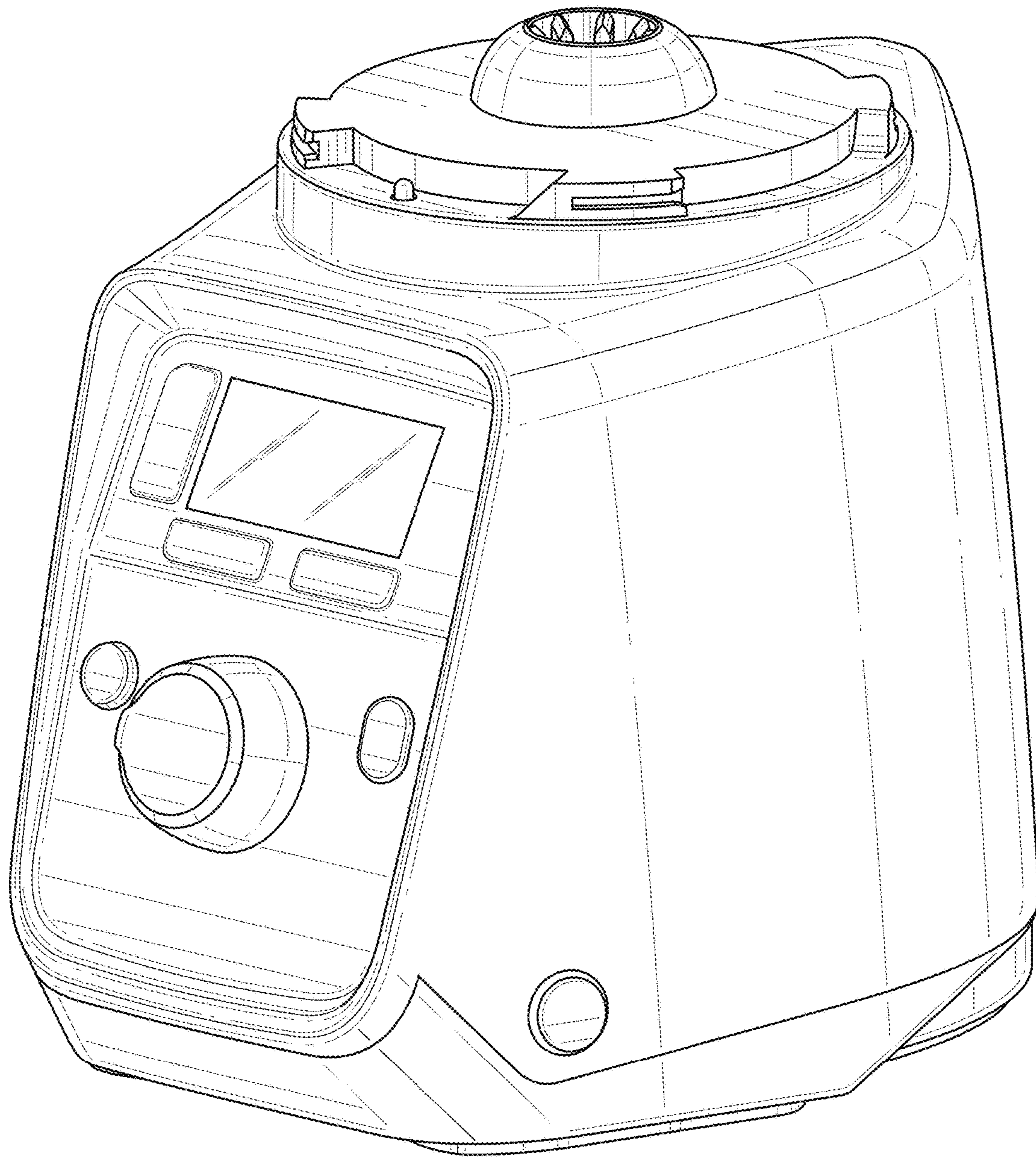


FIG. 1

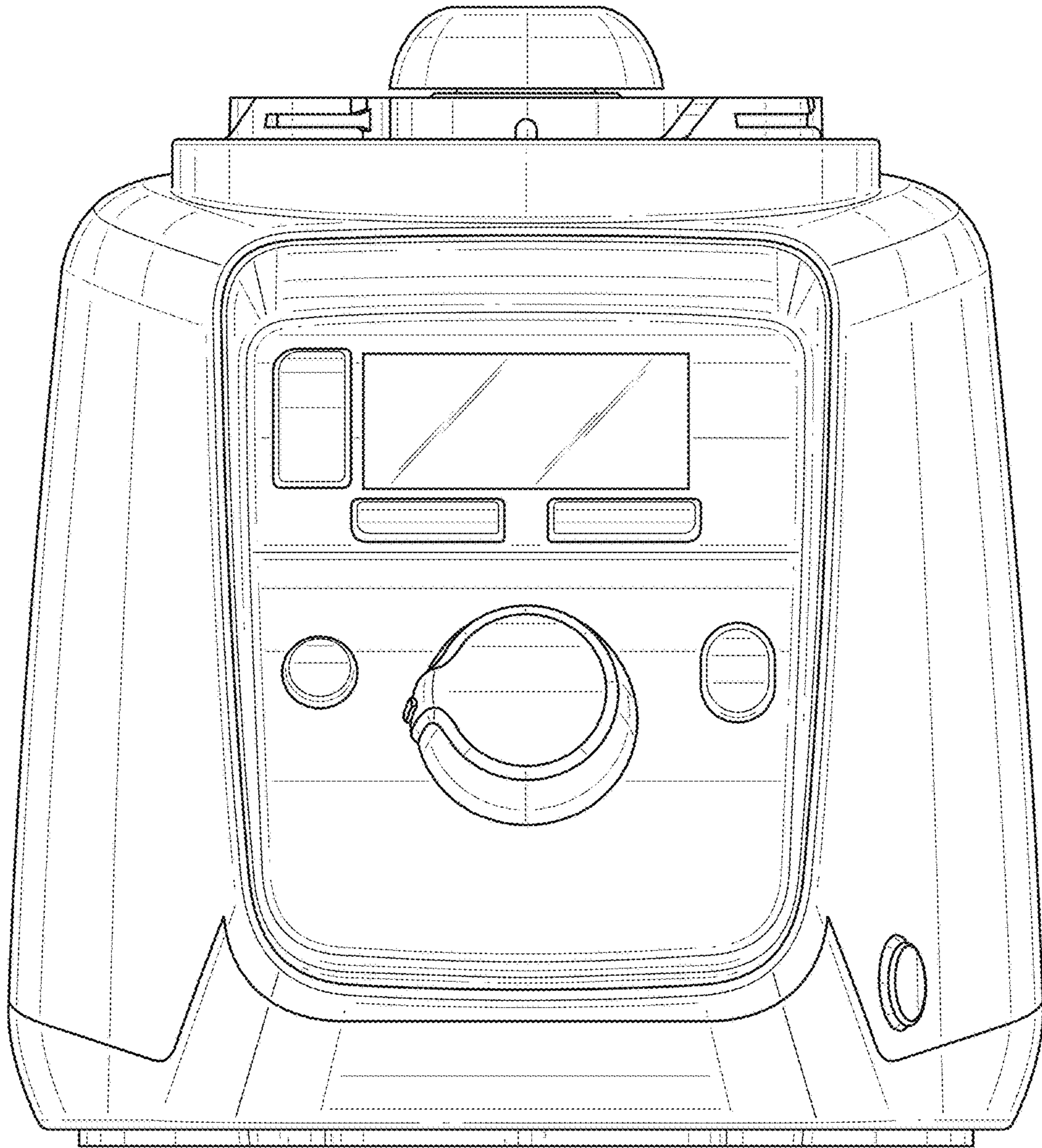


FIG. 2

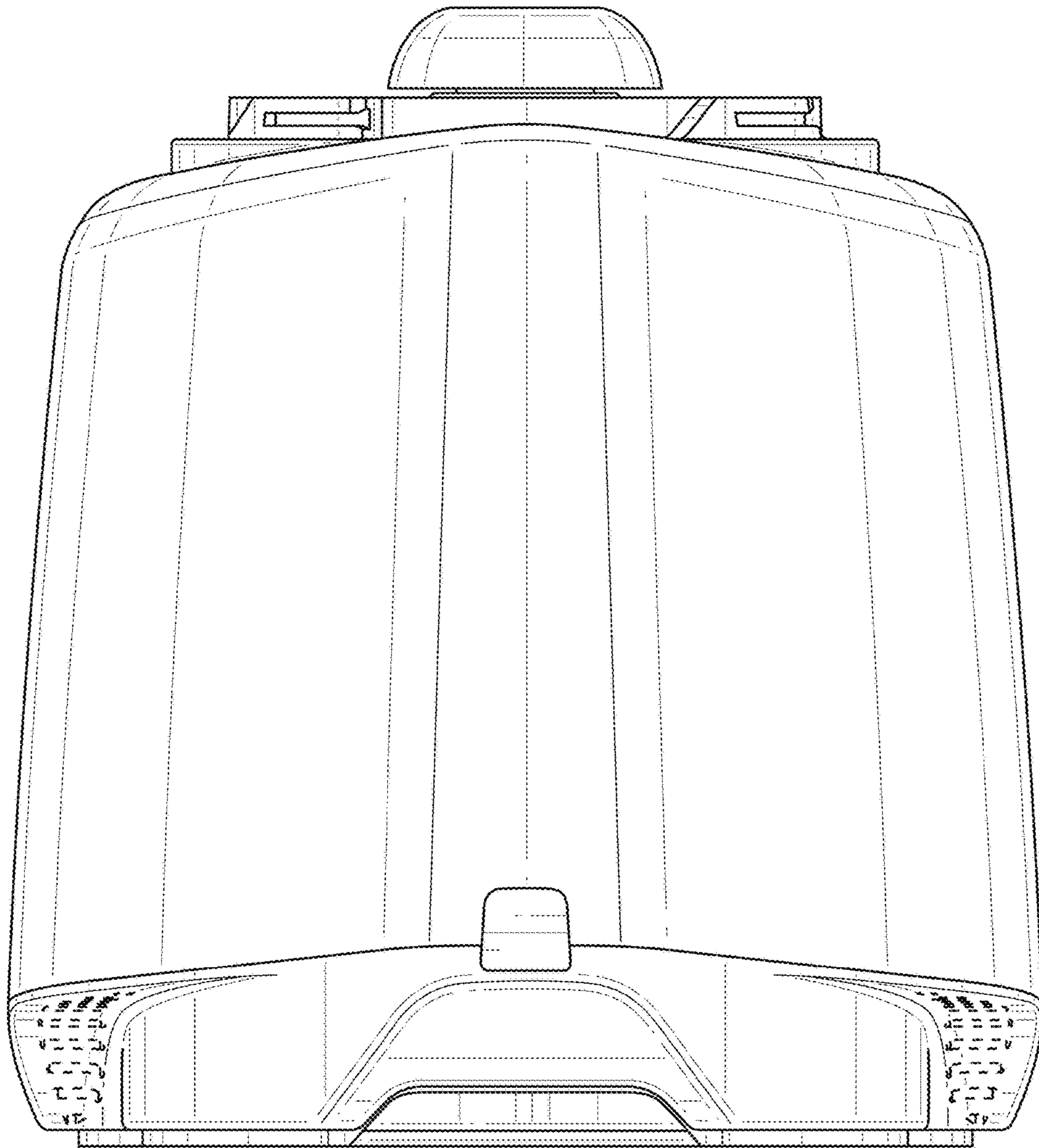


FIG. 3

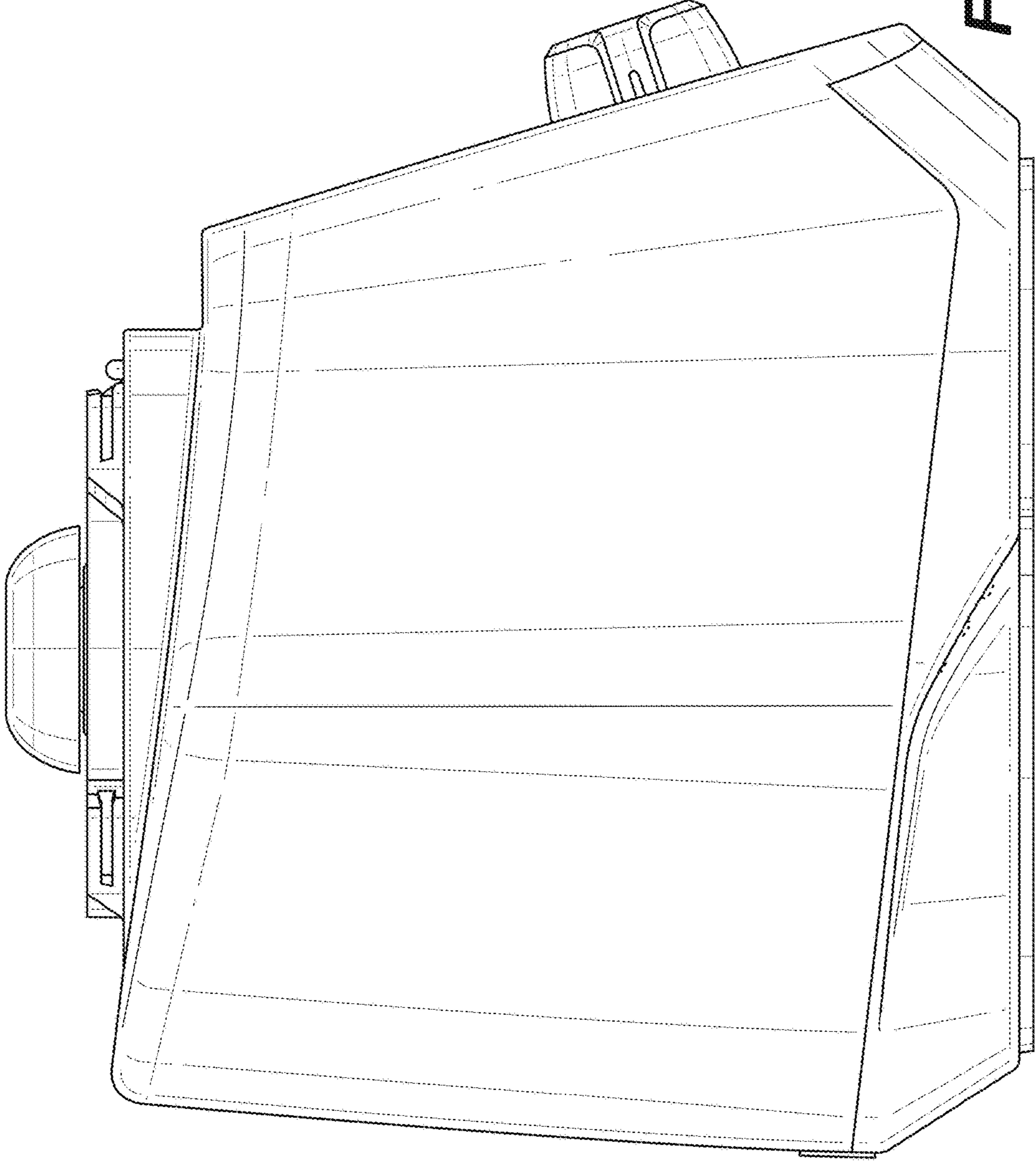


FIG. 4

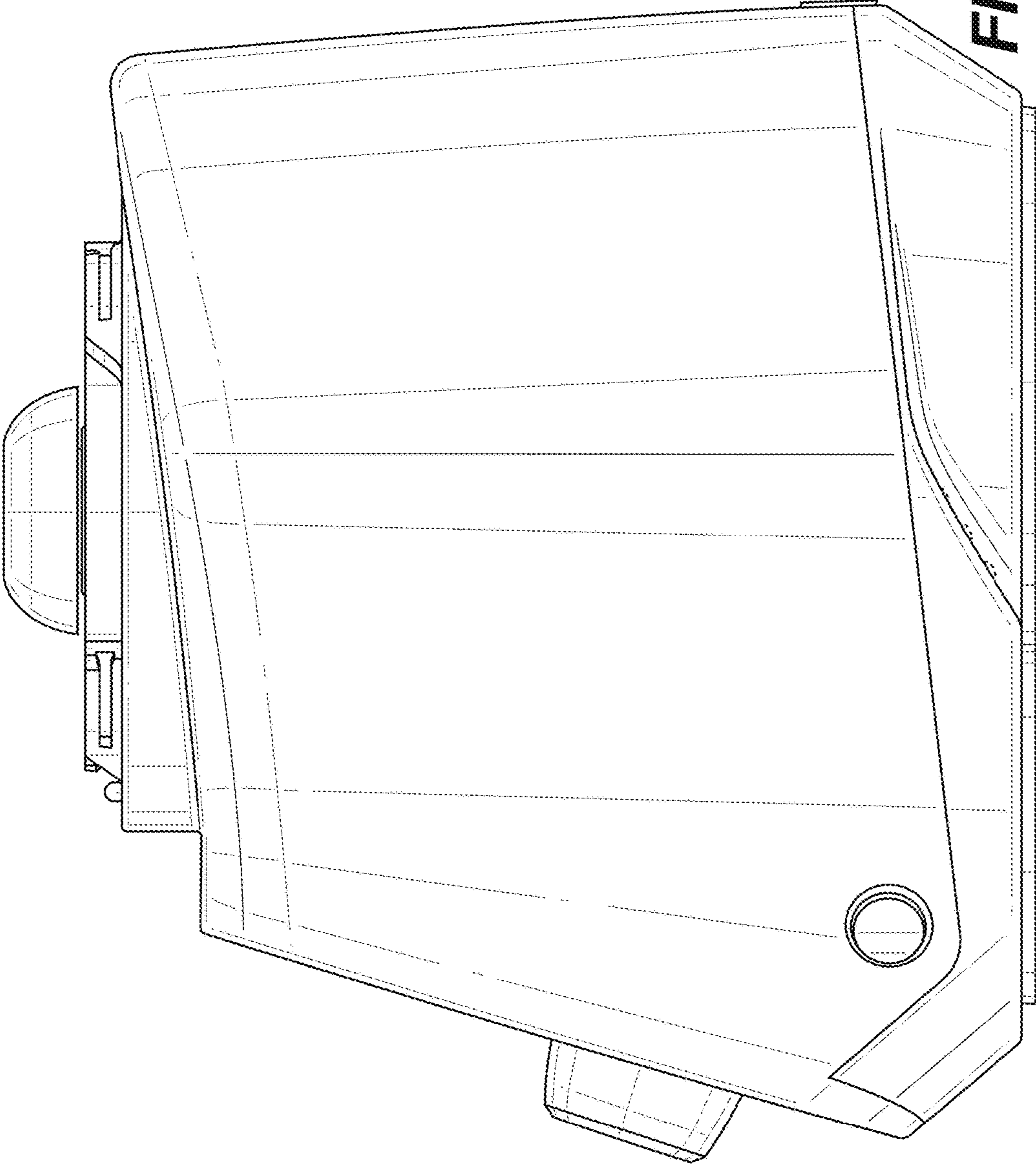


FIG. 5

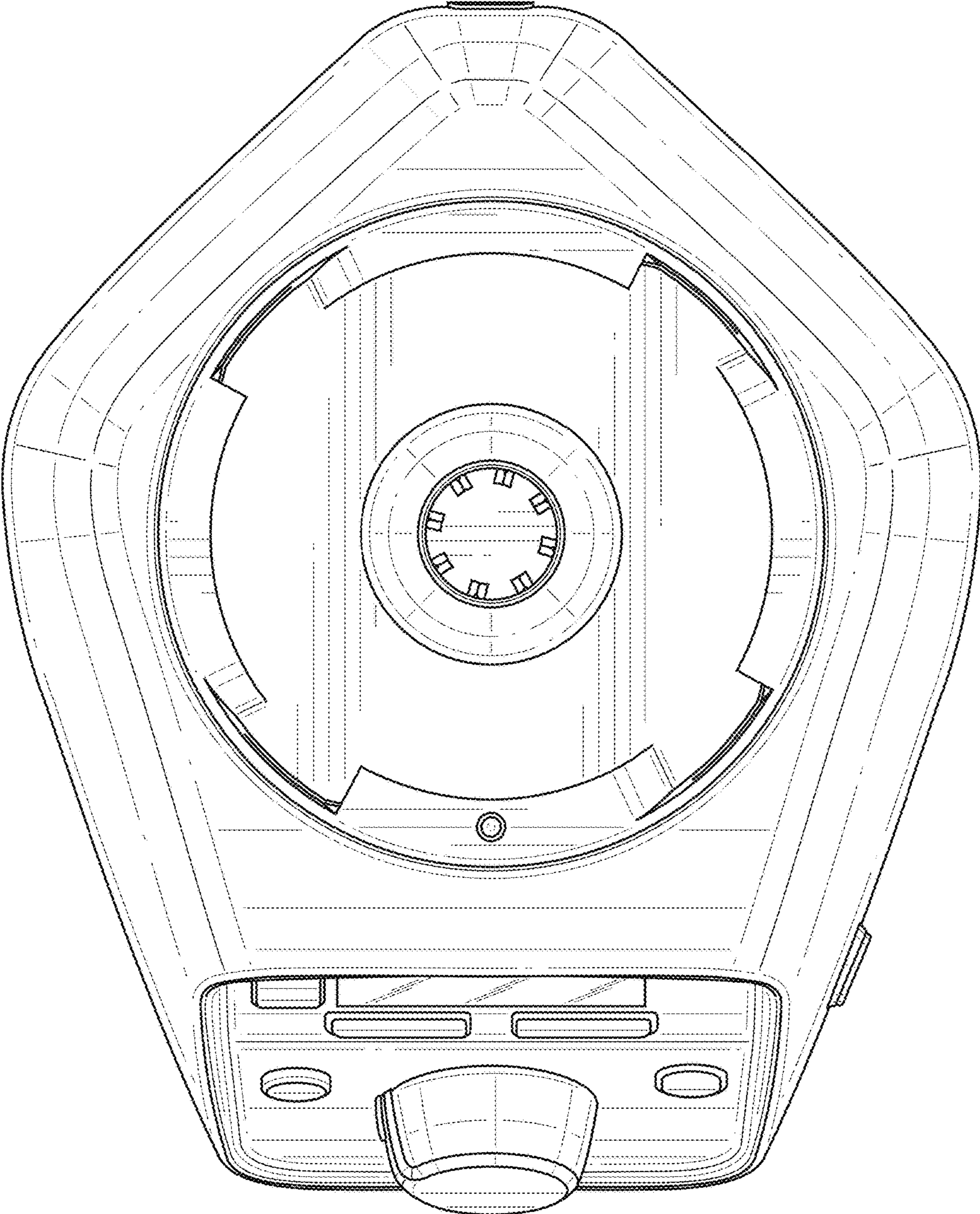


FIG. 6

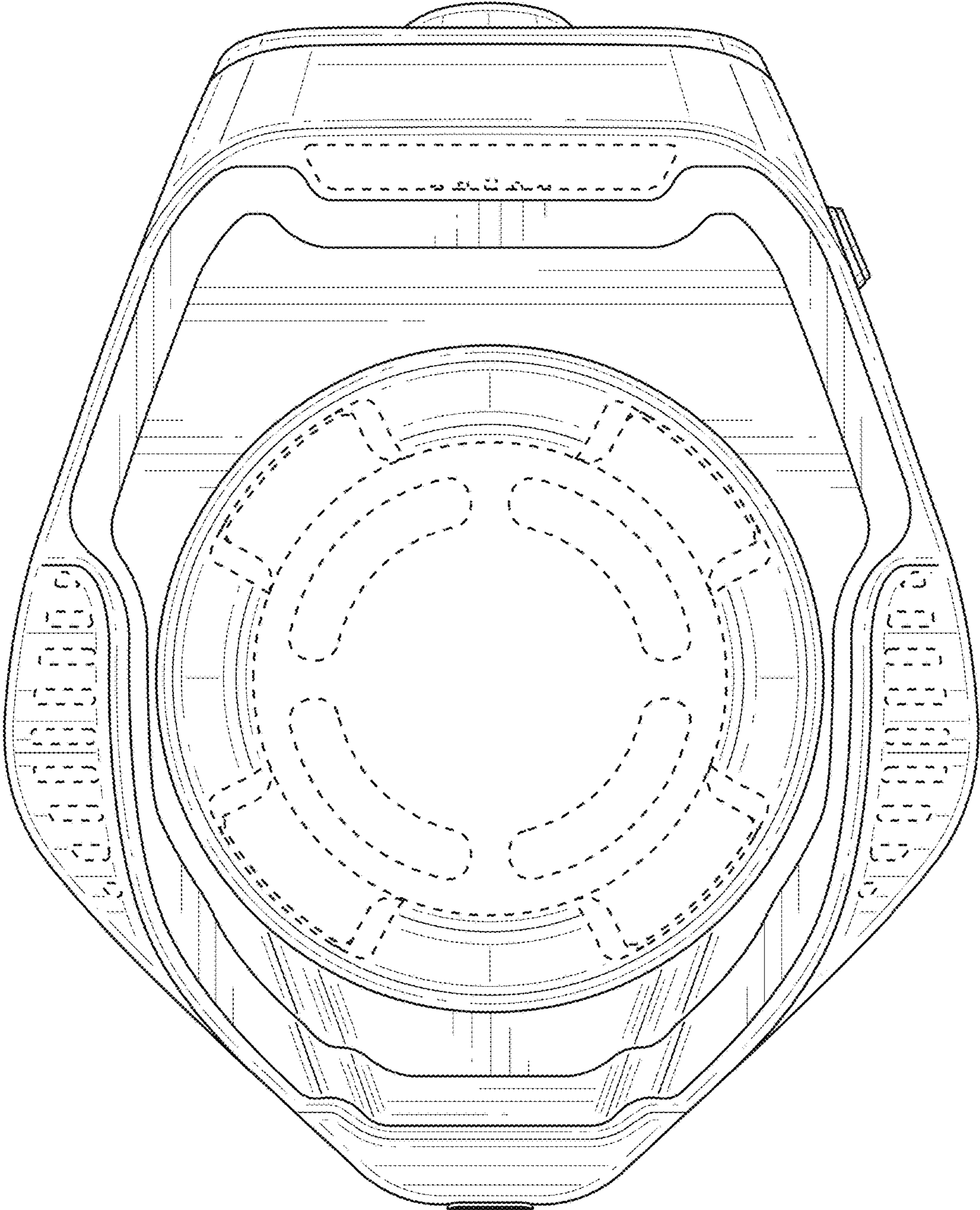


FIG. 7