



US00D864655S

(12) **United States Design Patent** (10) **Patent No.:** **US D864,655 S**
Brook et al. (45) **Date of Patent:** **** Oct. 29, 2019**

(54) **APPLIANCE BASE**
(71) Applicant: **Sunbeam Products, Inc.**, Boca Raton, FL (US)
(72) Inventors: **Nick Brook**, Sale (GB); **Matthew Johnson**, South Haven, MI (US); **Ryan Heiser**, Kalamazoo, MI (US)
(73) Assignee: **Sunbeam Products, Inc.**, Boca Raton, FL (US)

D711,682 S * 8/2014 Norland D7/376
D747,135 S * 1/2016 Ha D7/376
D755,004 S * 5/2016 Bock D7/376
D759,424 S * 6/2016 Ou D7/376
D761,617 S * 7/2016 Dennisur D7/376
D769,061 S * 10/2016 Diderotto D7/376
D815,887 S * 4/2018 Huang D7/378
D828,080 S * 9/2018 Ou D7/376
D829,496 S * 10/2018 Kim D7/378
D844,374 S * 4/2019 McConnell D7/386
D845,696 S * 4/2019 Ou D7/378

* cited by examiner

(**) Term: **15 Years**

Primary Examiner — Ricky Pham

(21) Appl. No.: **29/657,587**

(74) *Attorney, Agent, or Firm* — Husch Blackwell LLP

(22) Filed: **Jul. 24, 2018**

(51) **LOC (12) Cl.** **31-00**

(52) **U.S. Cl.**
USPC **D7/386; D7/376; D7/378; D7/412; D7/413**

(57) **CLAIM**

The ornamental design for an appliance base, as shown and described.

(58) **Field of Classification Search**
USPC D7/372, 376–386, 412–413, 602, 629, D7/665–666, 669, 679, 693–694
CPC A21C 1/02; A21C 1/04; A23N 1/00; A23N 1/02; A47J 43/04; A47J 43/25; A47J 43/27; A47J 43/042; A47J 43/044; A47J 43/046; A47J 43/075; A47J 43/0722; A47J 43/0727; B01F 3/00; B01F 3/0807; B01F 3/0853; B01F 13/0059; B01F 13/0064; B02C 1/08; B02C 2/04; B02C 4/42; B02C 4/142; B02C 4/143; B02C 4/423; B02C 13/1835; B28C 5/10; B28C 5/12; B28C 5/14; B28C 5/16
See application file for complete search history.

DESCRIPTION

FIG. 1 depicts a front perspective view of an appliance base of the present disclosure;
FIG. 2 depicts a front side view of the appliance base of FIG. 1;
FIG. 3 depicts a rear side view of the appliance base of FIG. 1;
FIG. 4 depicts a left side view of the appliance base of FIG. 1;
FIG. 5 depicts a right side view of the appliance base of FIG. 1;
FIG. 6 depicts a top view of the appliance base of FIG. 1; and,
FIG. 7 depicts a bottom view of the appliance base of FIG. 1.
The broken lines in the drawings depict portions of the appliance base that form no part of the claimed design.

(56) **References Cited**

U.S. PATENT DOCUMENTS

D181,541 S * 11/1957 Madl D7/378
D642,858 S * 8/2011 Lazzer D7/376

1 Claim, 4 Drawing Sheets

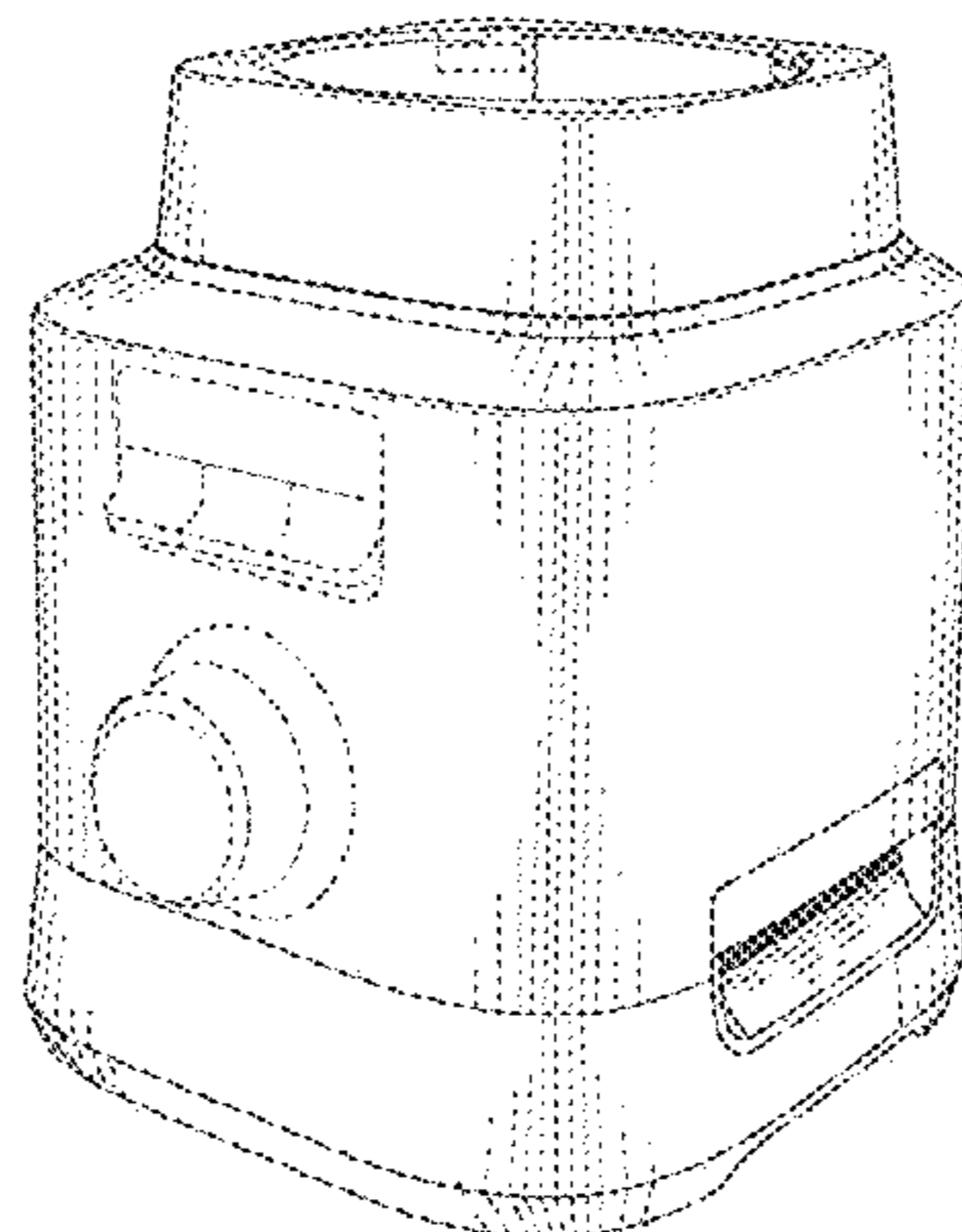


FIG. 1

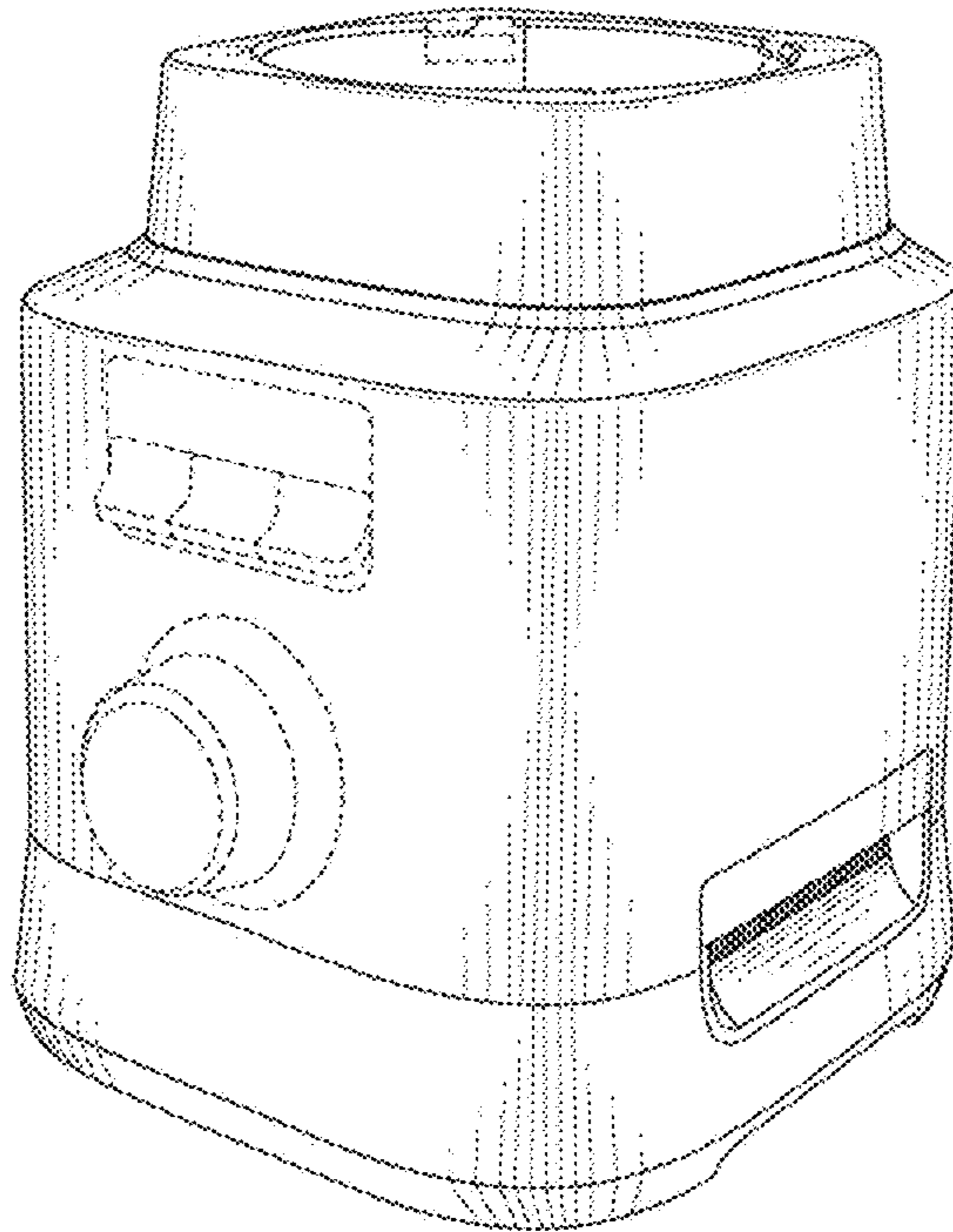


FIG. 3

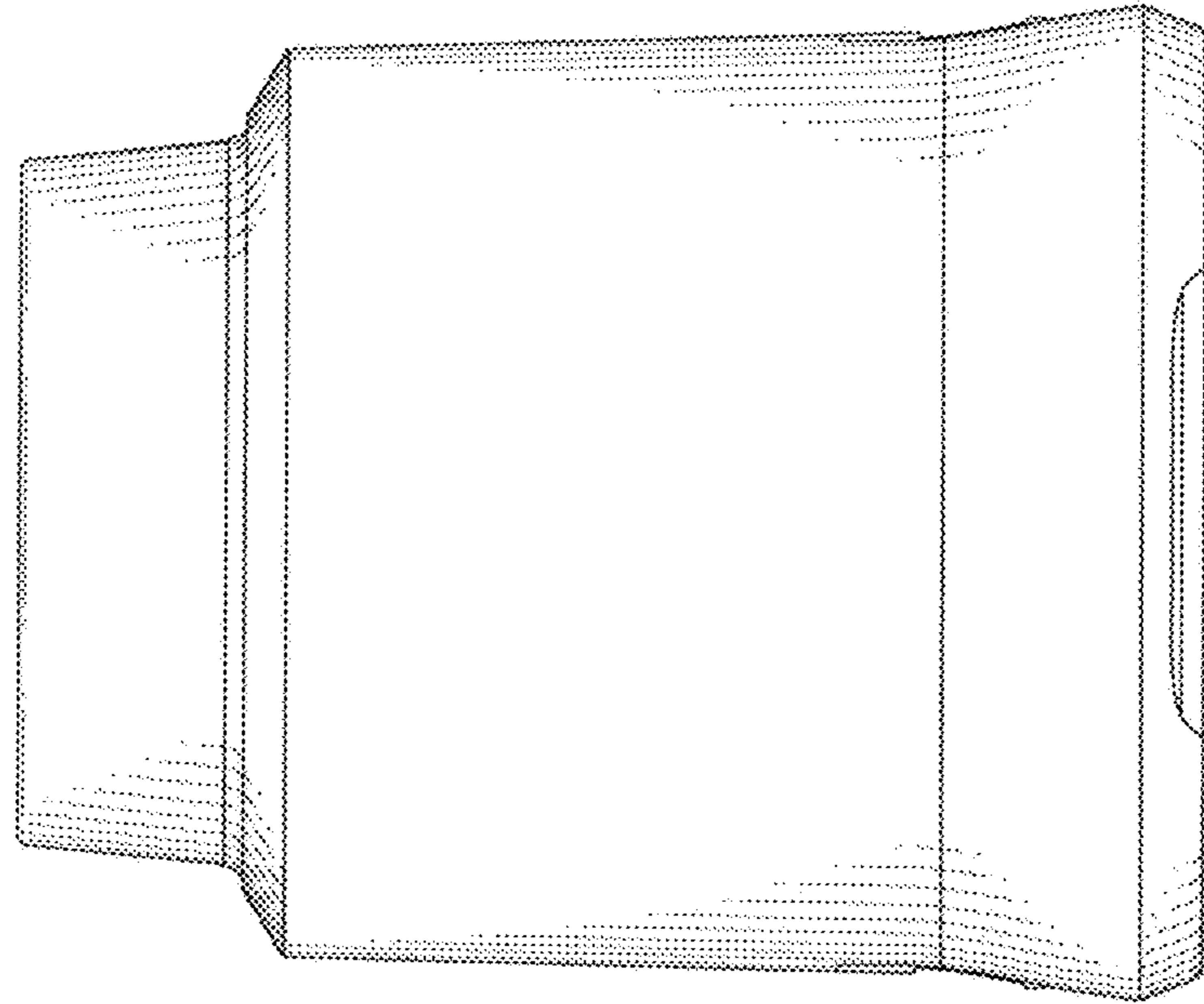


FIG. 2

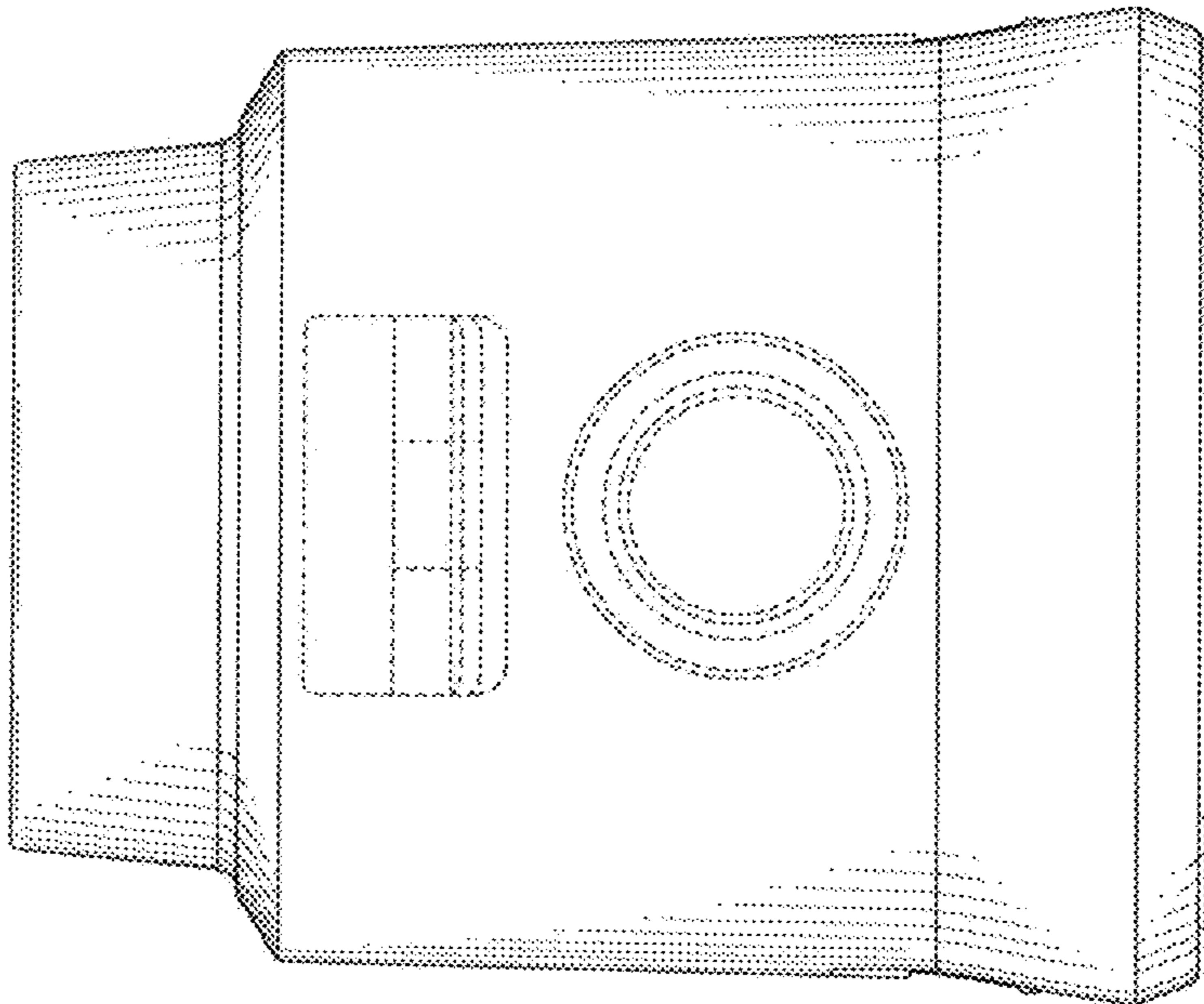


FIG. 5

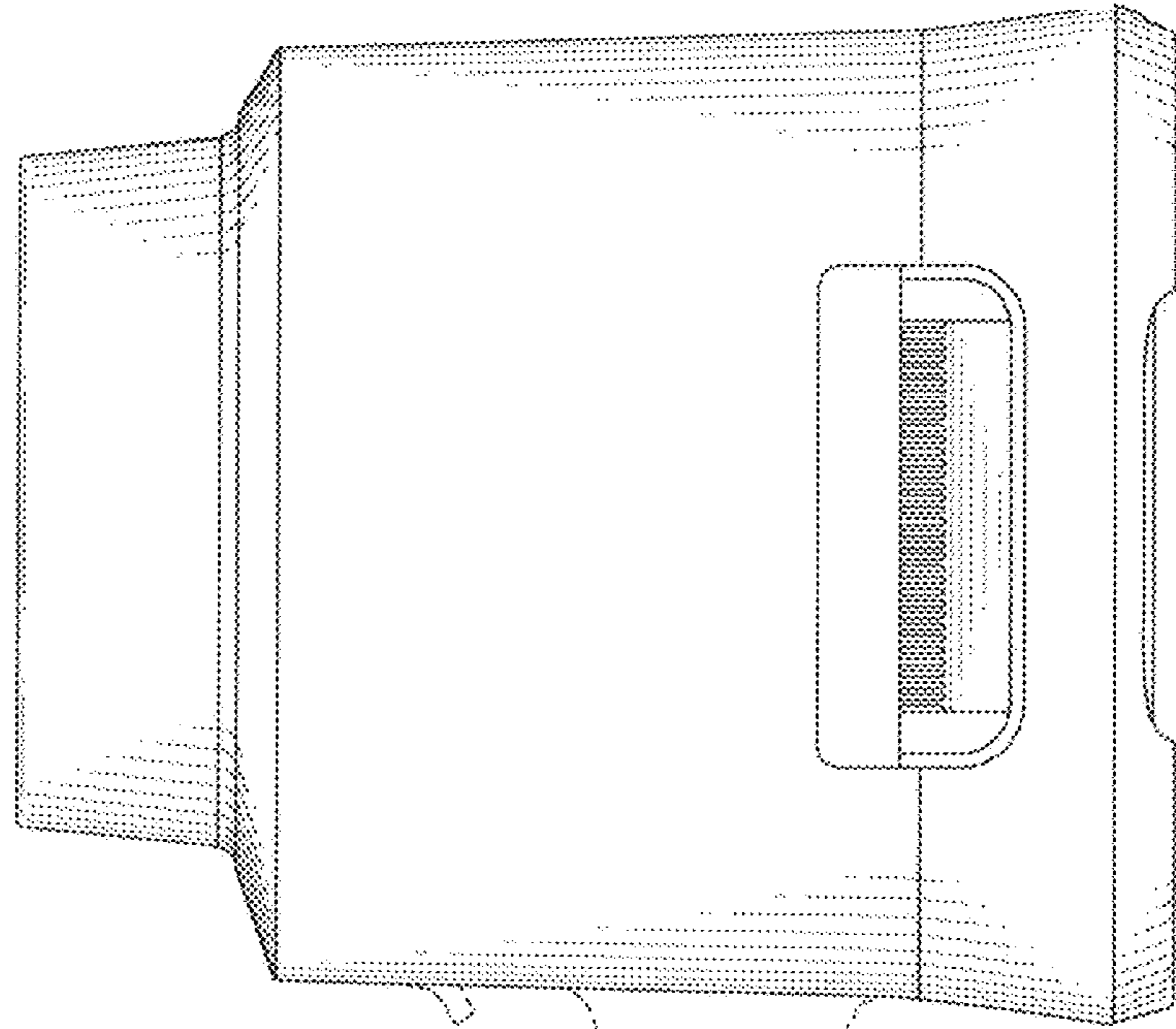


FIG. 4

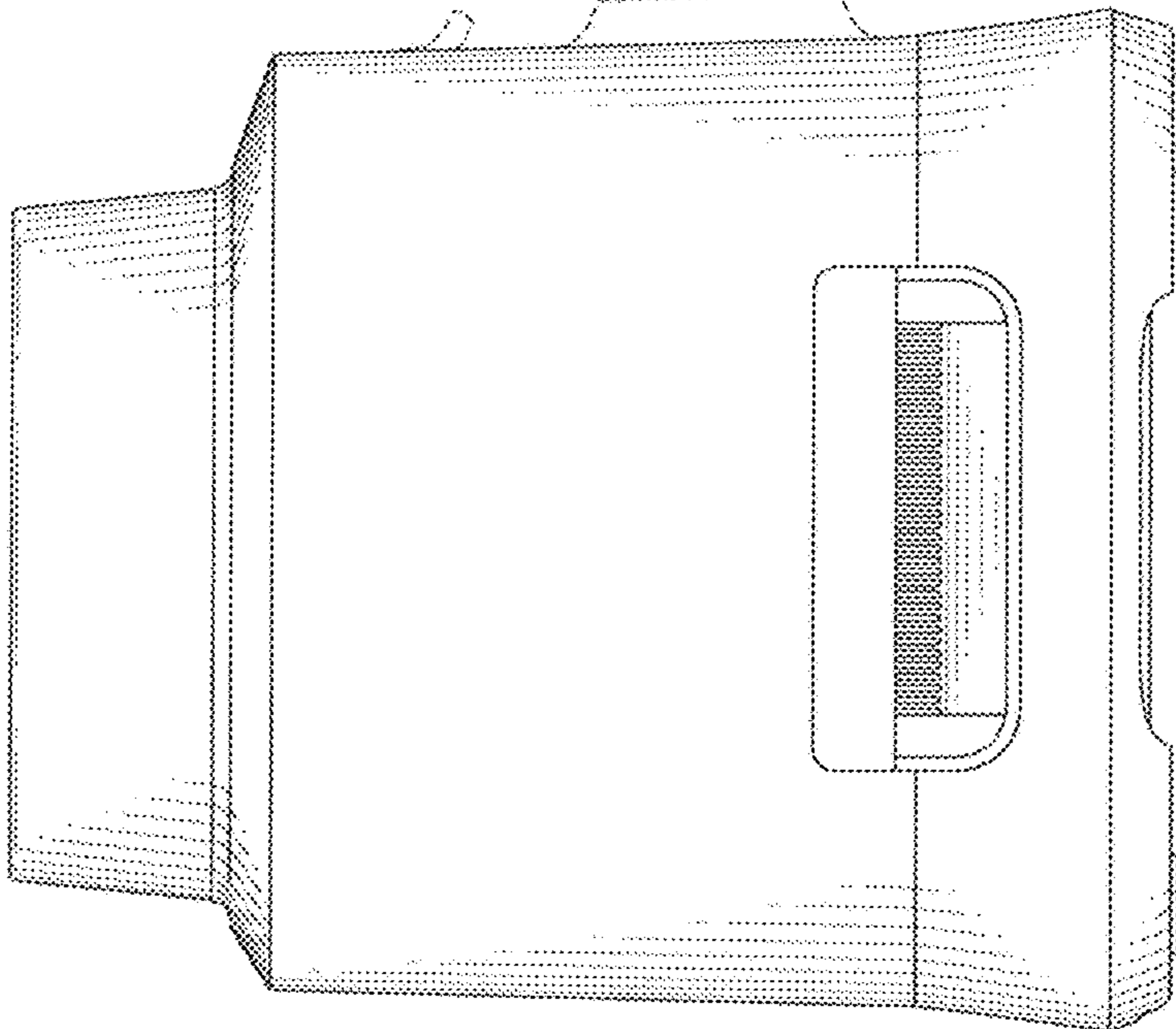


FIG. 6

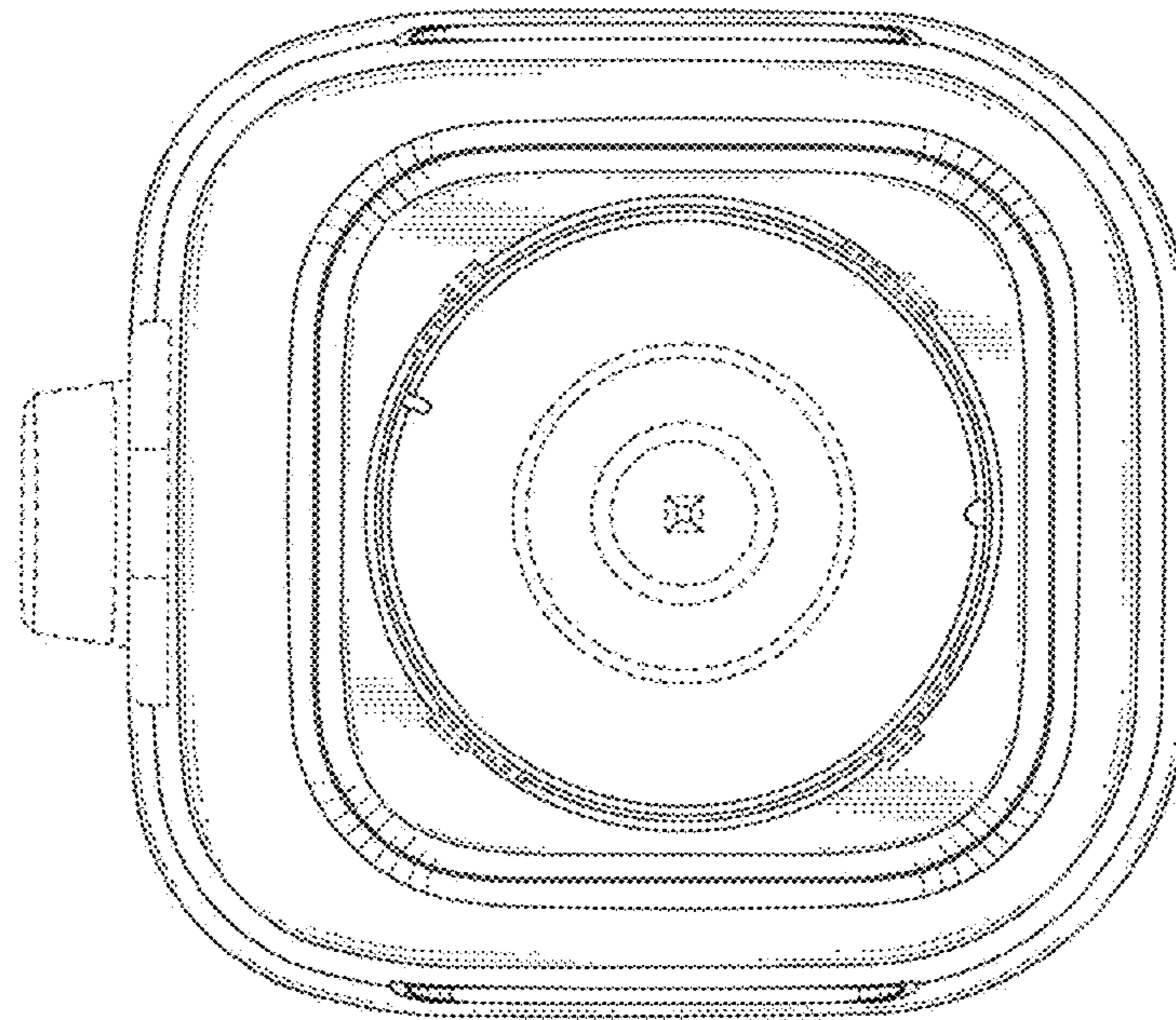


FIG. 7

