



US00D864654S

(12) **United States Design Patent**
Griffin et al.

(10) **Patent No.:** **US D864,654 S**
(45) **Date of Patent:** **** Oct. 29, 2019**

(54) **SINGLE MOLDED DEVICE FOR SHREDDING AND STORING HERBS**

(74) *Attorney, Agent, or Firm* — Todd R. Miller

(71) Applicants: **Jeremy Griffin**, Lancaster, CA (US);
Jacob Griffin, Lancaster, CA (US)

(57) **CLAIM**

The ornamental design for a single molded device for shredding and storing herbs, as shown and described.

(72) Inventors: **Jeremy Griffin**, Lancaster, CA (US);
Jacob Griffin, Lancaster, CA (US)

DESCRIPTION

(73) Assignee: **Dragon Chewer LLC**, Lancaster, CA (US)

FIG. 1 is a top perspective view embodying the inventive single molded design showing the lid open and not yet detached from the body of the storage device;

(**) Term: **15 Years**

FIG. 2 is a bottom perspective view of the device as seen in FIG. 1;

(21) Appl. No.: **29/694,969**

FIG. 3 is a left side view of the device as seen in FIG. 1;

(22) Filed: **Jun. 14, 2019**

FIG. 4 is a front view of the device as seen in FIG. 1;

(51) **LOC (12) Cl.** **31-00**

FIG. 5 is a right side view of the device as seen in FIG. 1;

(52) **U.S. Cl.**

USPC **D7/384**; D7/376; D7/378; D7/412;
D7/413

FIG. 6 is a rear view of the device as seen in FIG. 1;

(58) **Field of Classification Search**

USPC D7/372, 376–386, 412–413, 602,
D7/629–630, 665–666, 669, 679, 693–694

FIG. 7 is a top view of the device as seen in FIG. 1;

CPC A21C 1/02; A21C 1/04; A23N 1/00; A23N
1/02; A47J 42/14; A47J 42/34; A47J

FIG. 8 is a bottom view of the device as seen in FIG. 1;

43/04; A47J 43/25; A47J 43/27; A47J

FIG. 9 is a top perspective view embodying the inventive design showing the lid held into place via the latch, and after the single molded device was separated into two pieces by breaking the hinge originally attaching the lid to the body;

43/042; A47J 43/044; A47J 43/046; A47J
43/075; A47J 43/0722; A47J 43/0727;
A61J 7/0007;

FIG. 10 is a bottom perspective view of the device as seen in FIG. 9;

(Continued)

FIG. 11 is a left side view of the device as seen in FIG. 9;

(56) **References Cited**

U.S. PATENT DOCUMENTS

2,602,596 A * 7/1952 Jones A61J 7/0007
241/169.1

FIG. 12 is a front view of the device as seen in FIG. 9;

3,491,170 A 1/1970 Roe

FIG. 13 is a right side view of the device as seen in FIG. 9;

(Continued)

FIG. 14 is a rear view of the device as seen in FIG. 9;

FIG. 15 is a top view of the device as seen in FIG. 9;

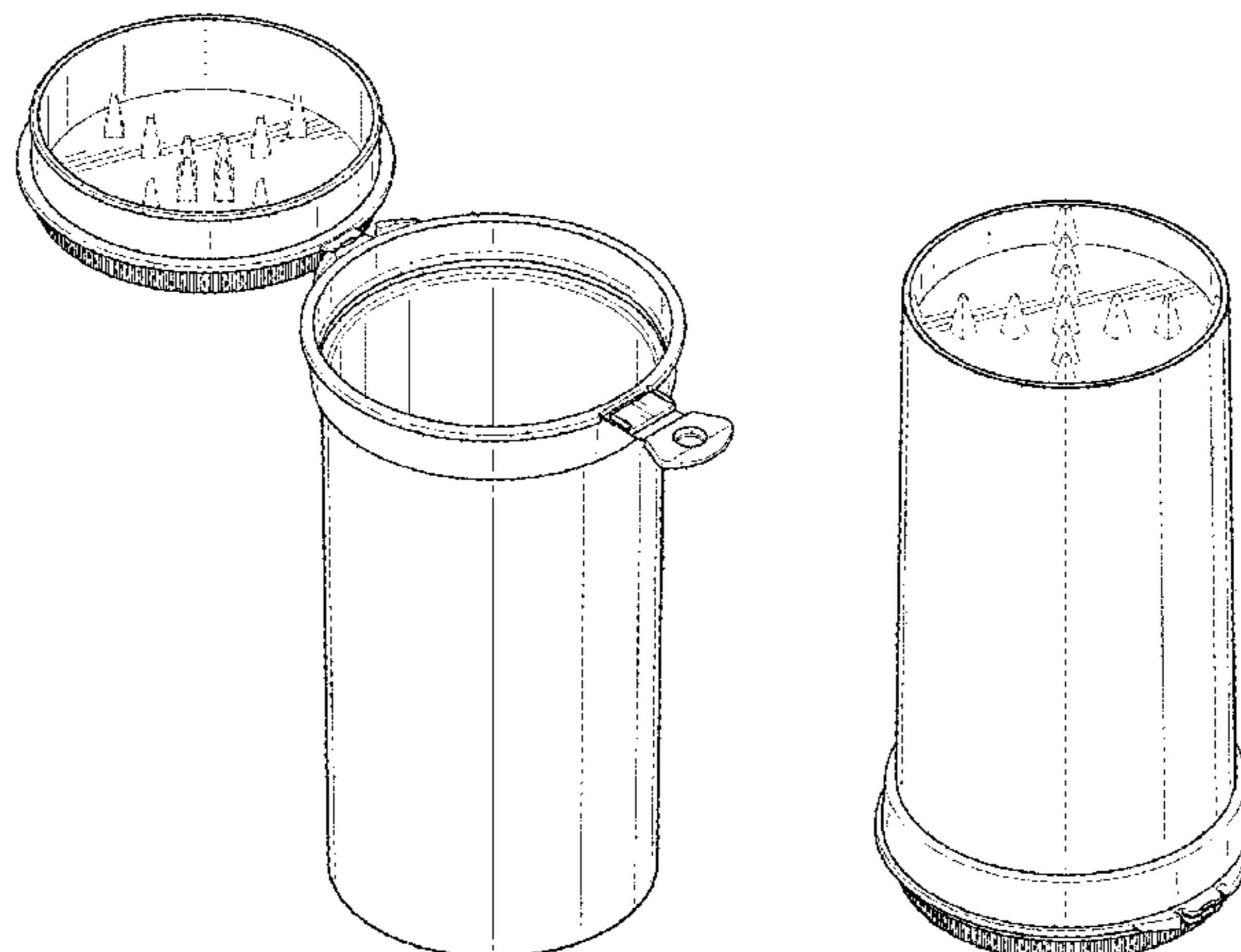
FIG. 16 is a bottom view of the device as seen in FIG. 9; and,

FIG. 17 is an exploded top perspective view embodying the inventive design showing the device in two pieces, i.e., after the hinge originally attaching the lid to the body has been broken.

The broken line showing is for the purpose of illustrating portions of the article or environmental structure and forms no part of the claimed design.

1 Claim, 10 Drawing Sheets

Primary Examiner — Ricky Pham



US D864,654 S

(58) **Field of Classification Search**
CPC B01F 3/00; B01F 3/0807; B01F 3/0853;
B01F 13/0059; B01F 13/0064; B02C
1/08; B02C 2/04; B02C 4/42; B02C
4/142; B02C 4/143; B02C 4/423; B02C
13/1835; B02C 18/08; B28C 5/10; B28C
5/12; B28C 5/14; B28C 5/16
See application file for complete search history.

(56) **References Cited**
U.S. PATENT DOCUMENTS

3,557,992 A 1/1971 Reeves
3,651,976 A 3/1972 Chadbourne
4,235,338 A 11/1980 Dugan
4,422,559 A 12/1983 Landis
5,322,227 A * 6/1994 Fiocchi A61J 7/0007
241/100
7,422,170 B2 * 9/2008 Bao B02C 18/24
241/168

D615,320 S 5/2010 Griffin
D634,989 S 3/2011 Griffin
D635,413 S 4/2011 Griffin
8,220,732 B2 7/2012 Griffin
8,393,563 B2 * 3/2013 Chaoui B02C 18/08
241/168
D689,347 S * 9/2013 Hainbach D7/693
D731,865 S 6/2015 Griffin
D732,822 S 6/2015 Griffin
9,198,541 B2 * 12/2015 Smith A47J 43/25
D755,022 S * 5/2016 Dukat D7/372
RE46,408 E * 5/2017 Hainbach B02C 18/08
9,730,554 B2 * 8/2017 Chan A47J 42/34
D804,093 S * 11/2017 Chen A61J 7/0007
D27/195
D828,729 S * 9/2018 Kent A61J 7/0007
D7/630
2012/0097774 A1 * 4/2012 Hainbach A47J 42/14
241/101.2
2012/0320703 A1 * 12/2012 Cumrali A47J 43/27
366/130

* cited by examiner

FIG. 1

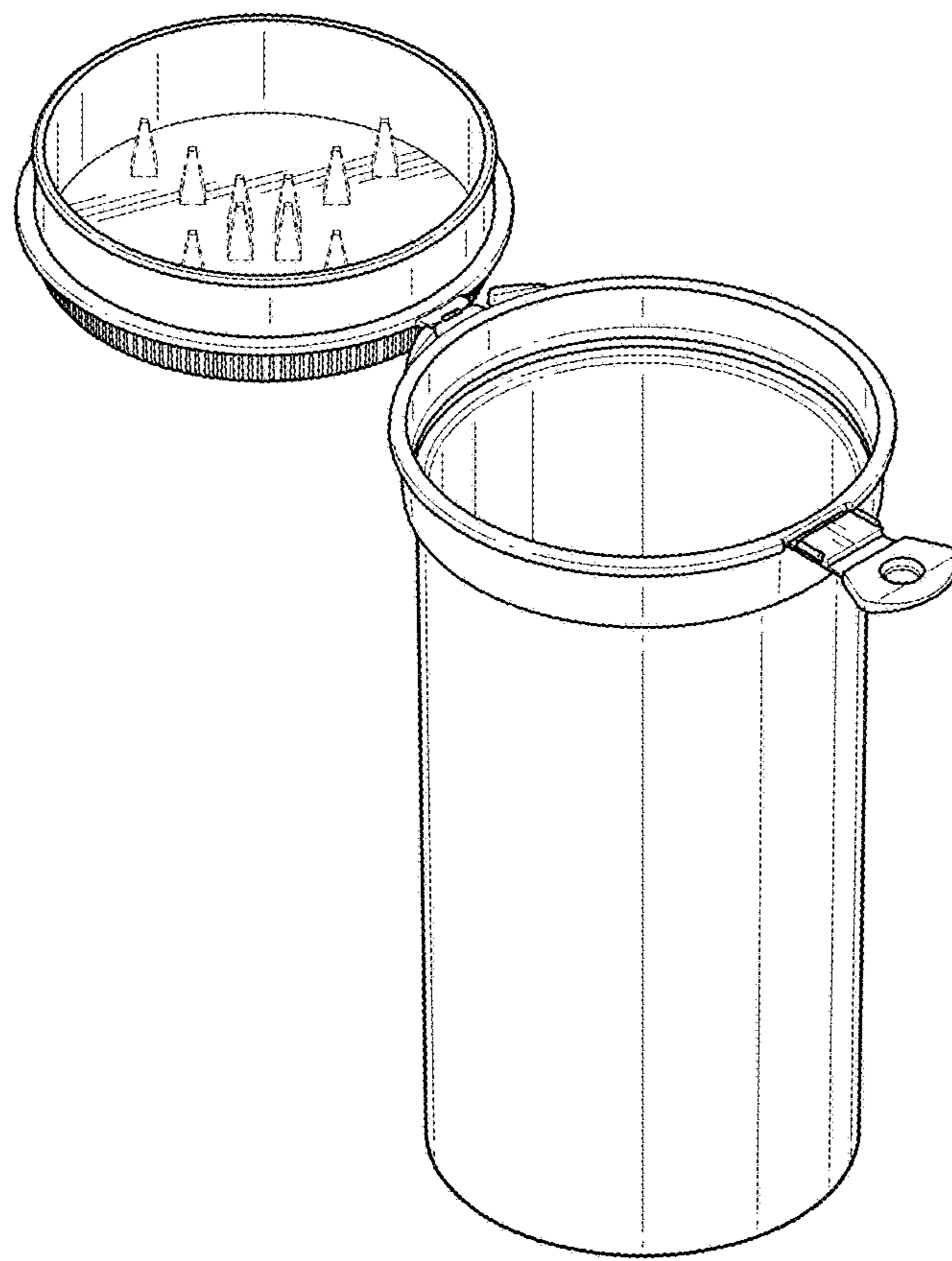


FIG. 2

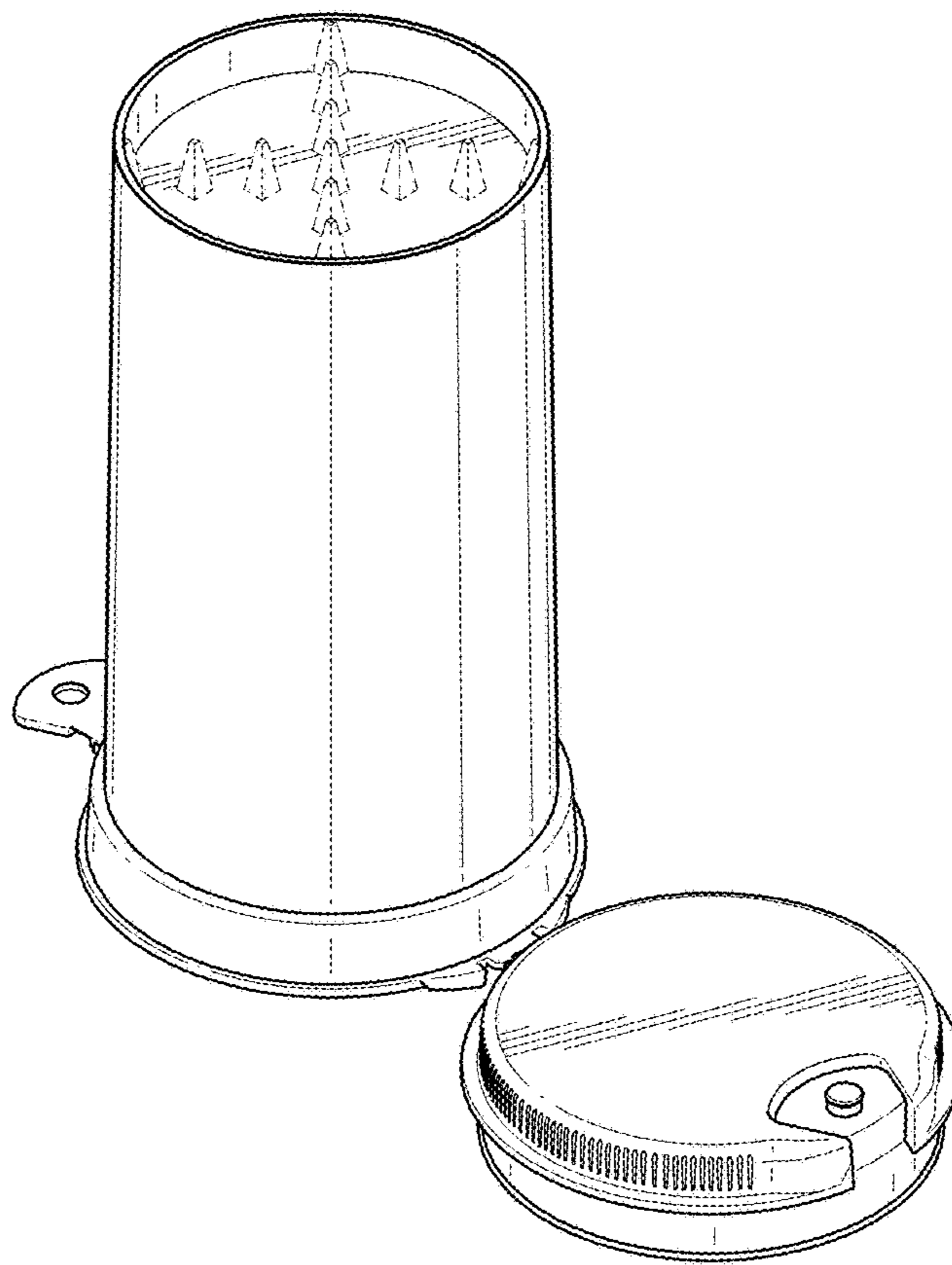


FIG. 3

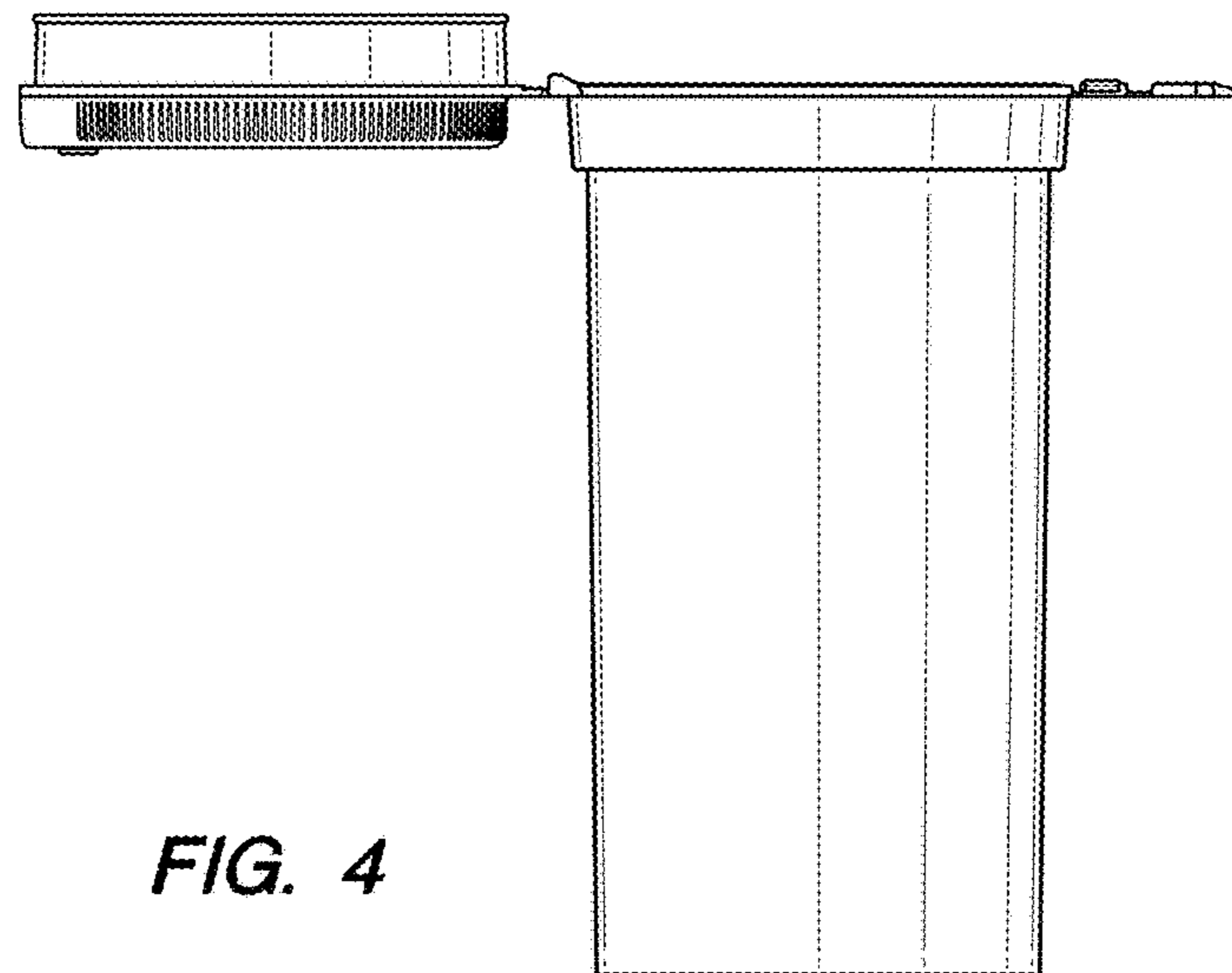
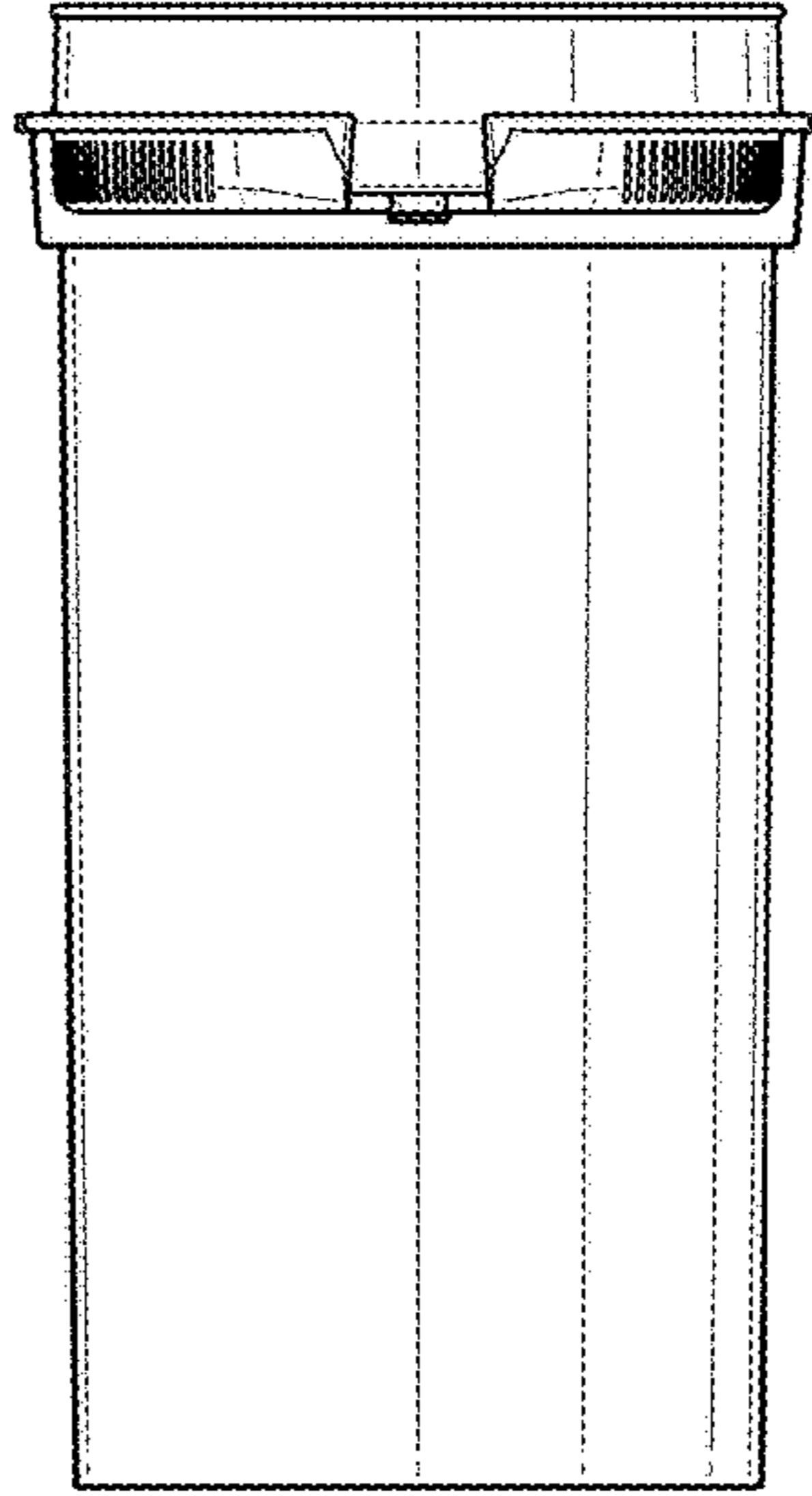


FIG. 4

FIG. 5

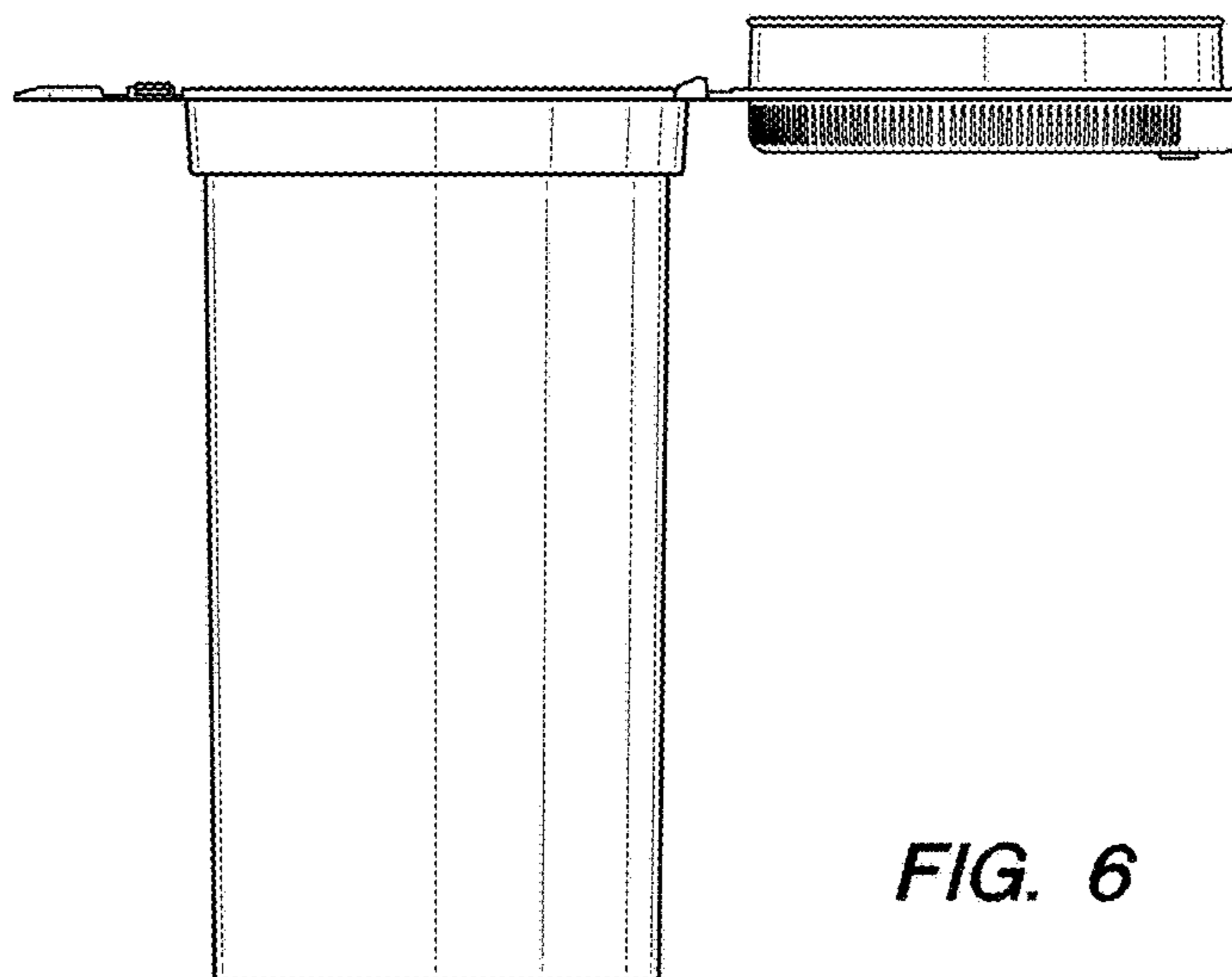
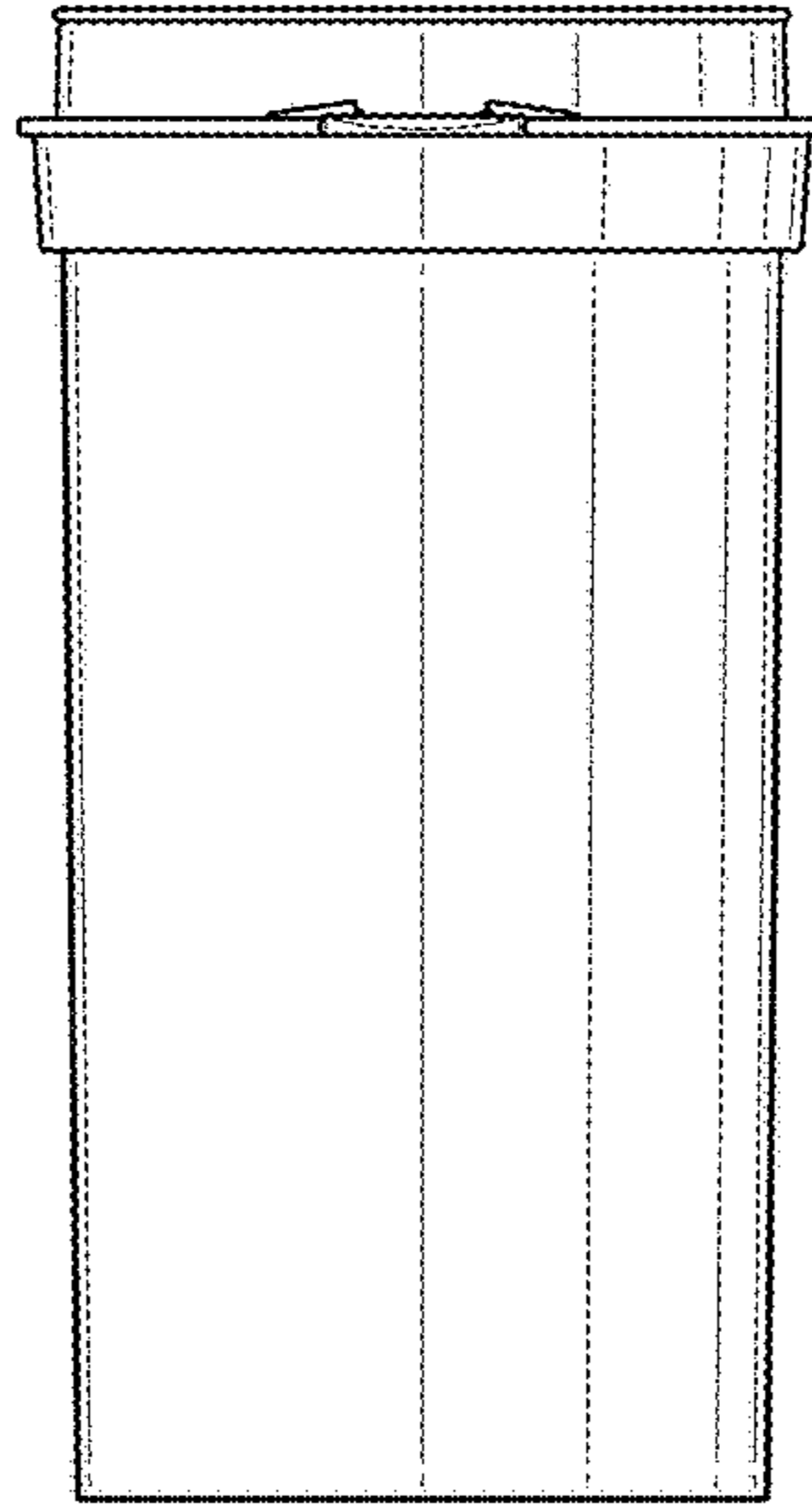


FIG. 6

FIG. 7

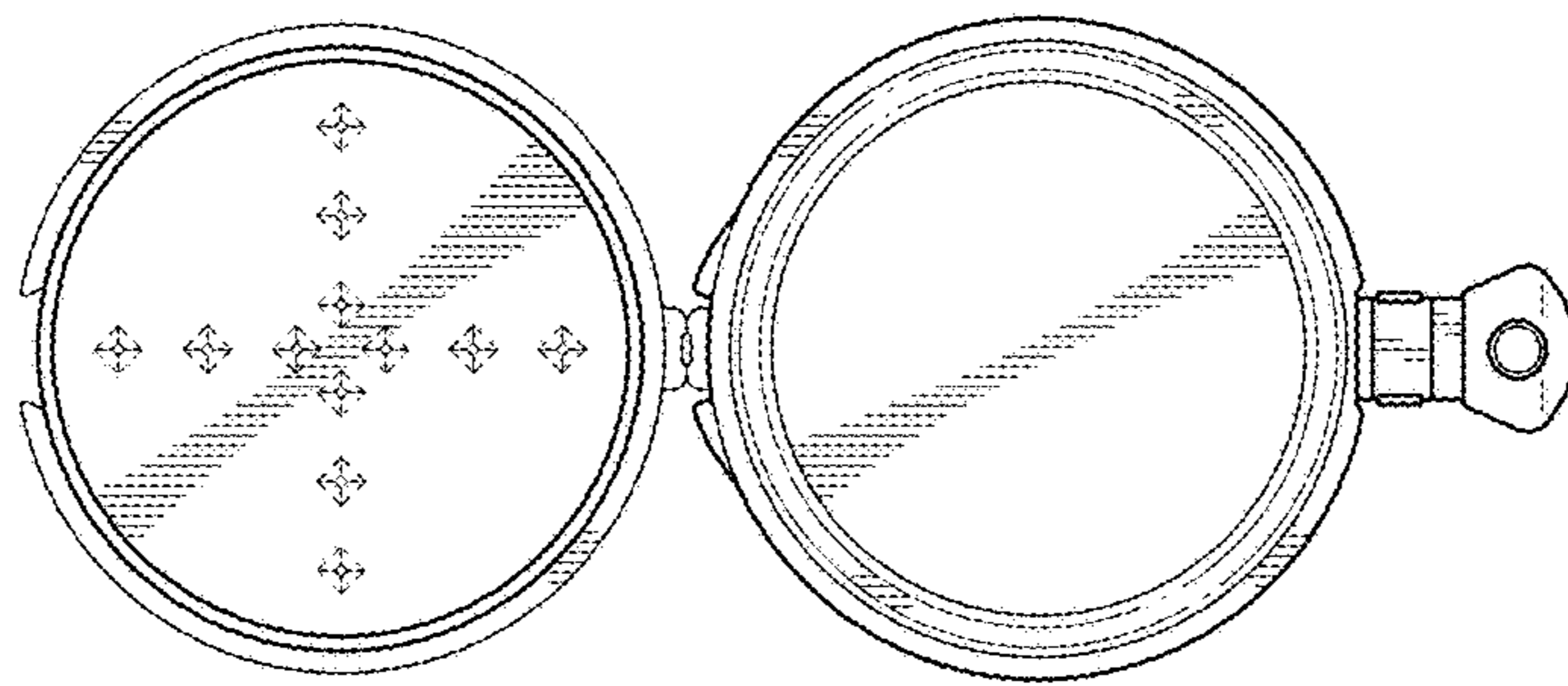
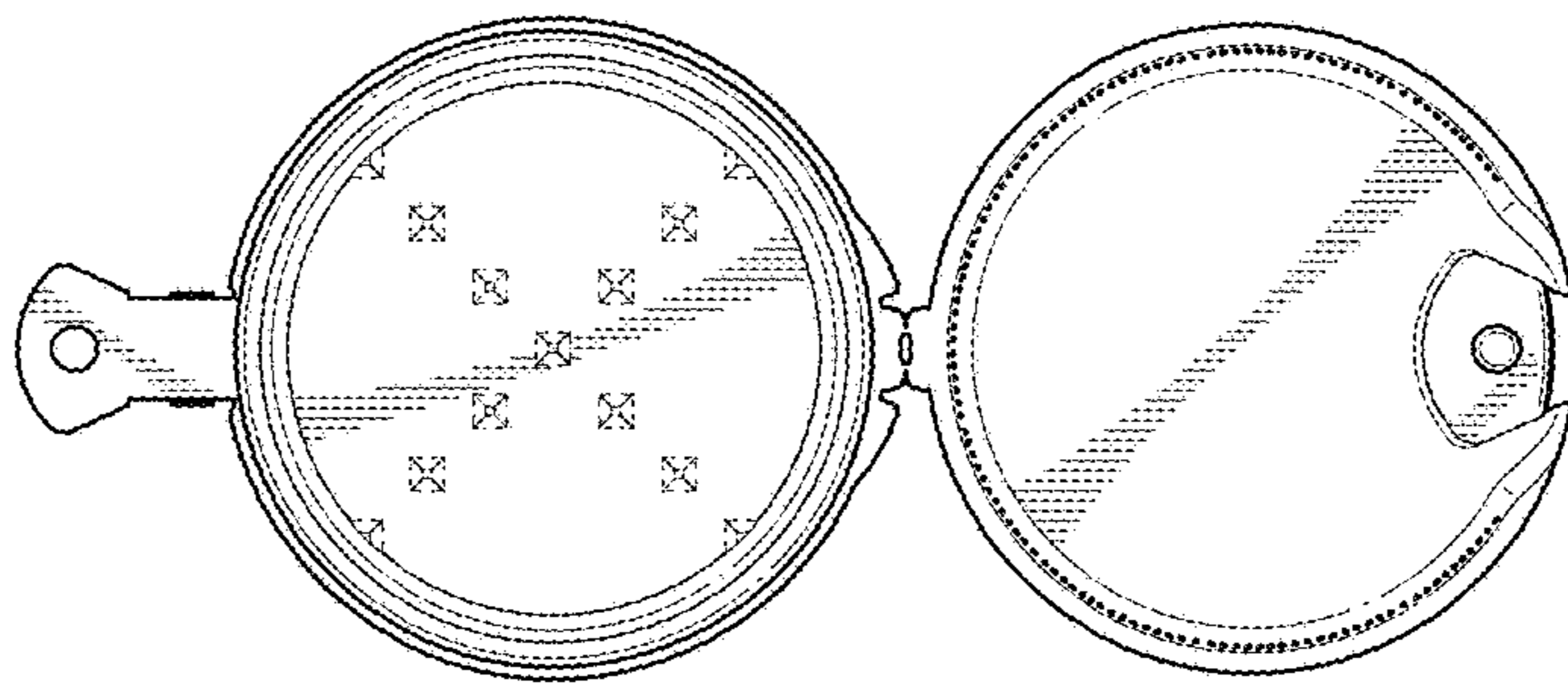


FIG. 8



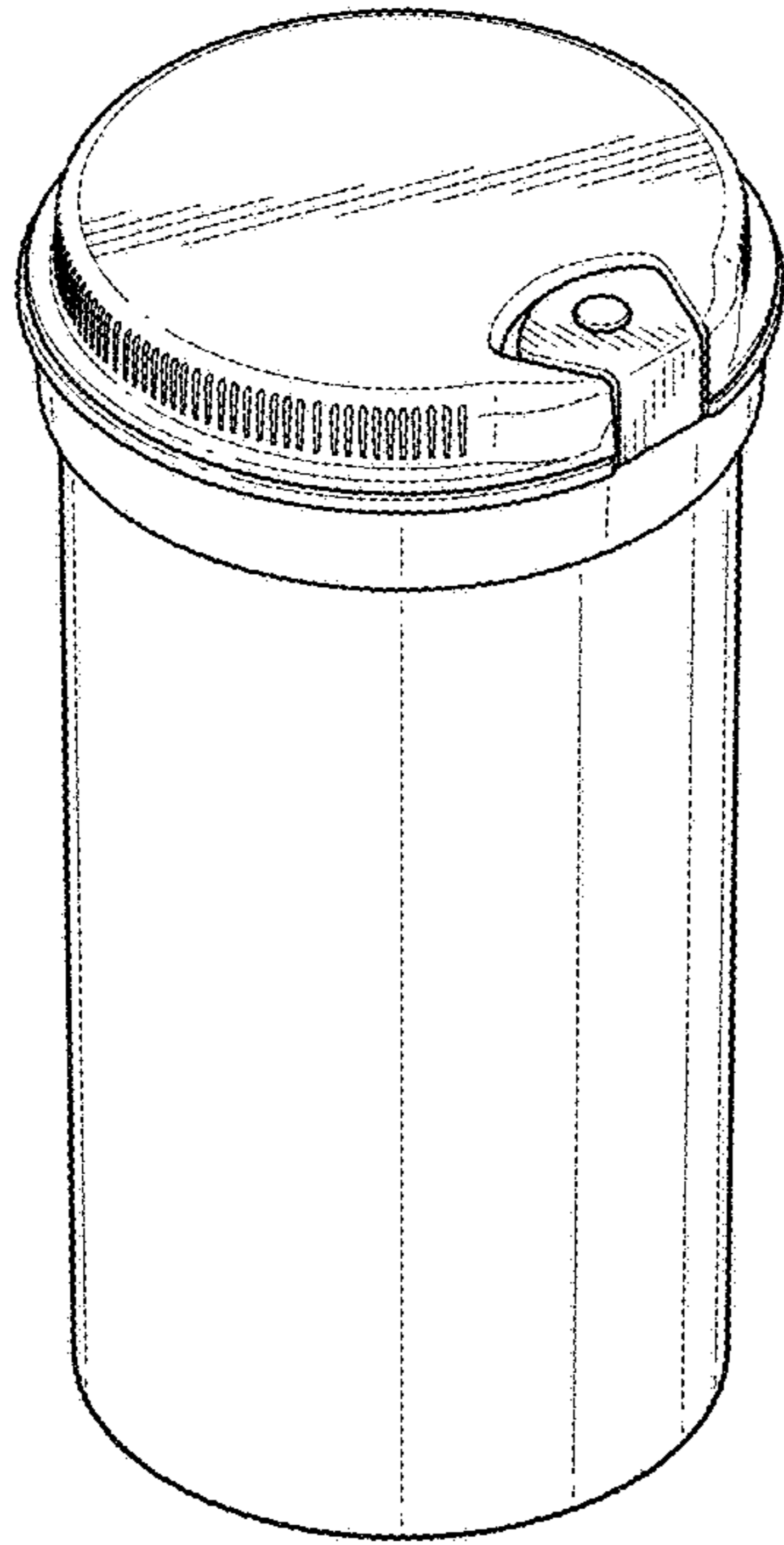


FIG. 9

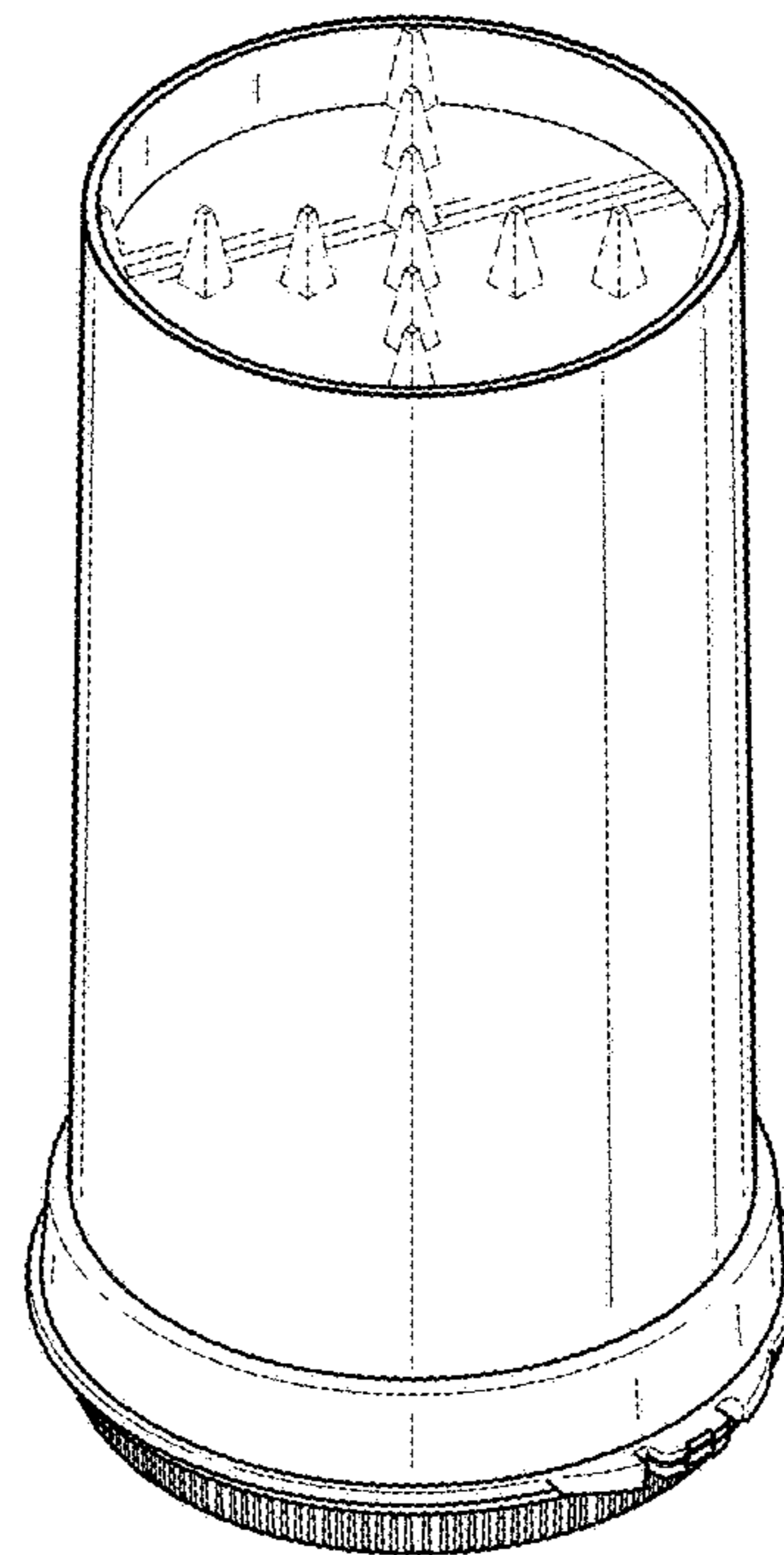


FIG. 10

FIG. 11

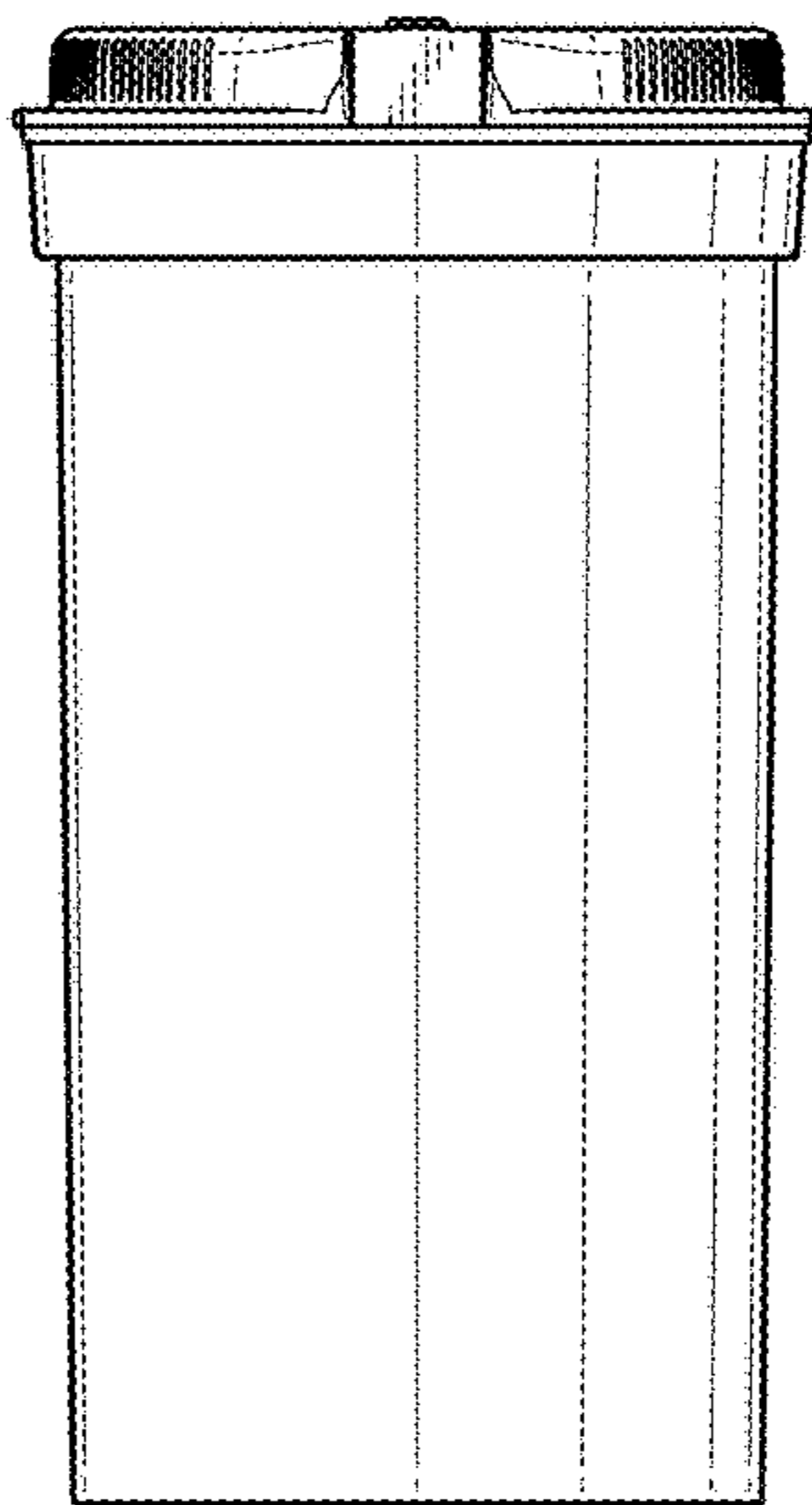


FIG. 12

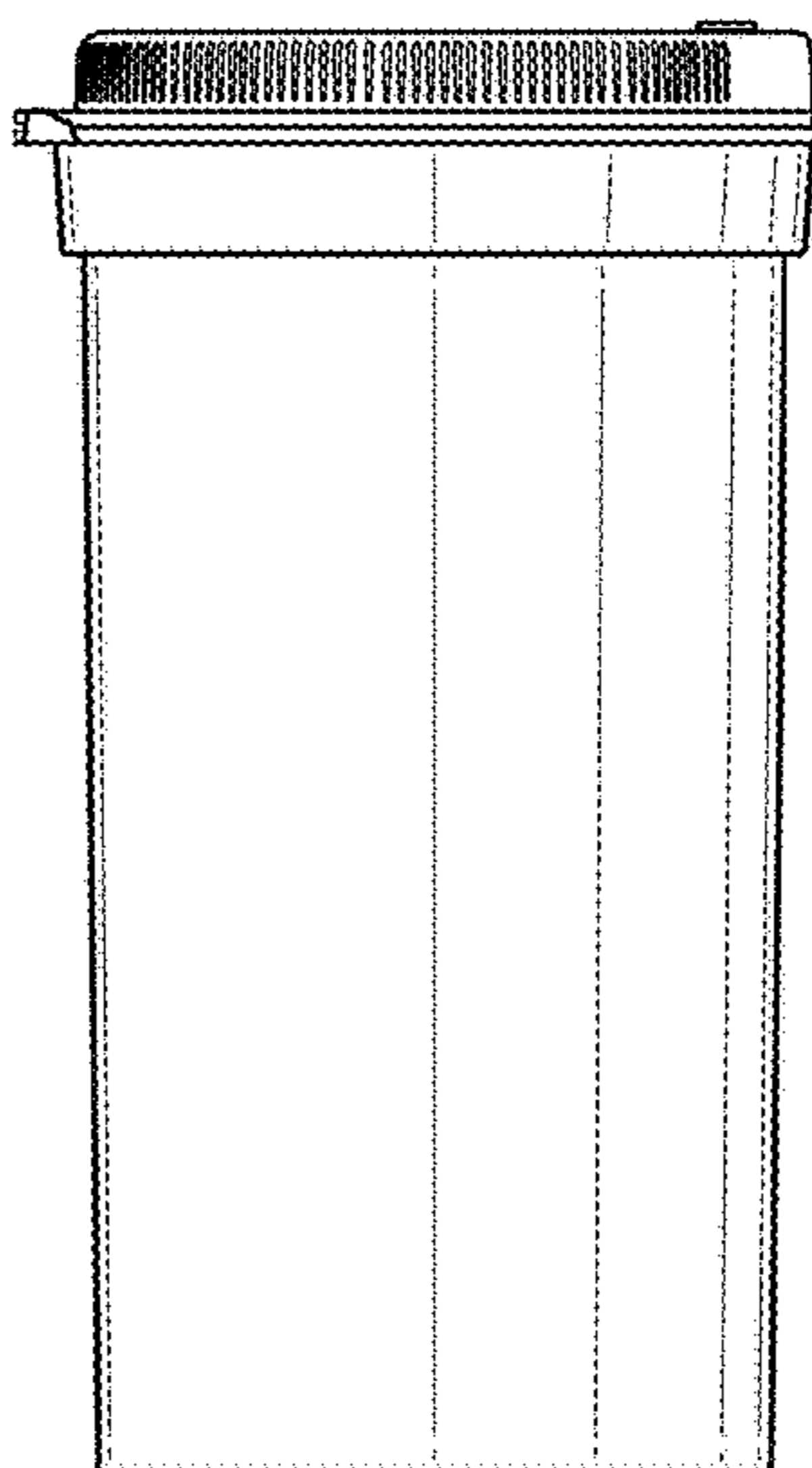


FIG. 13

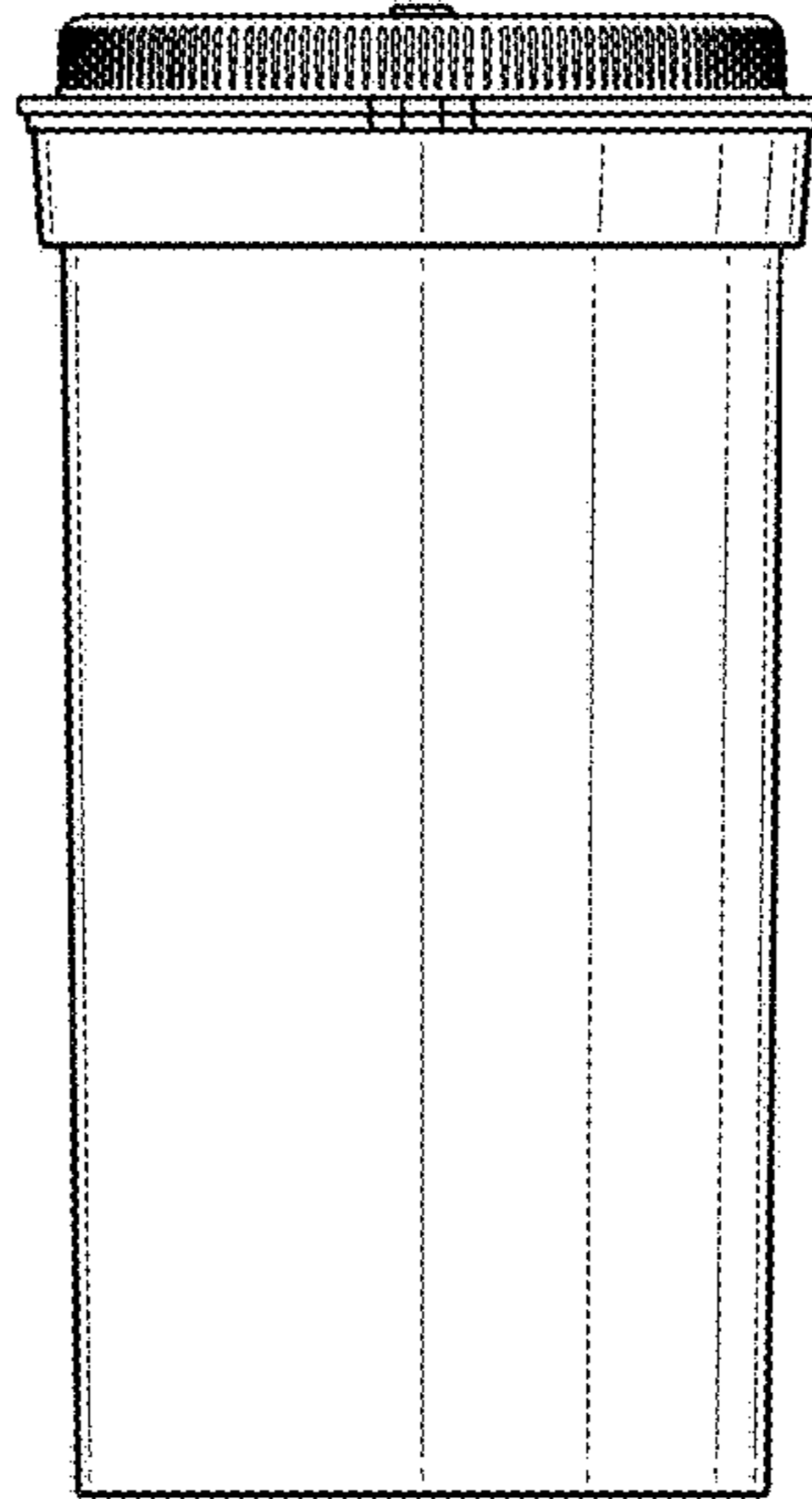
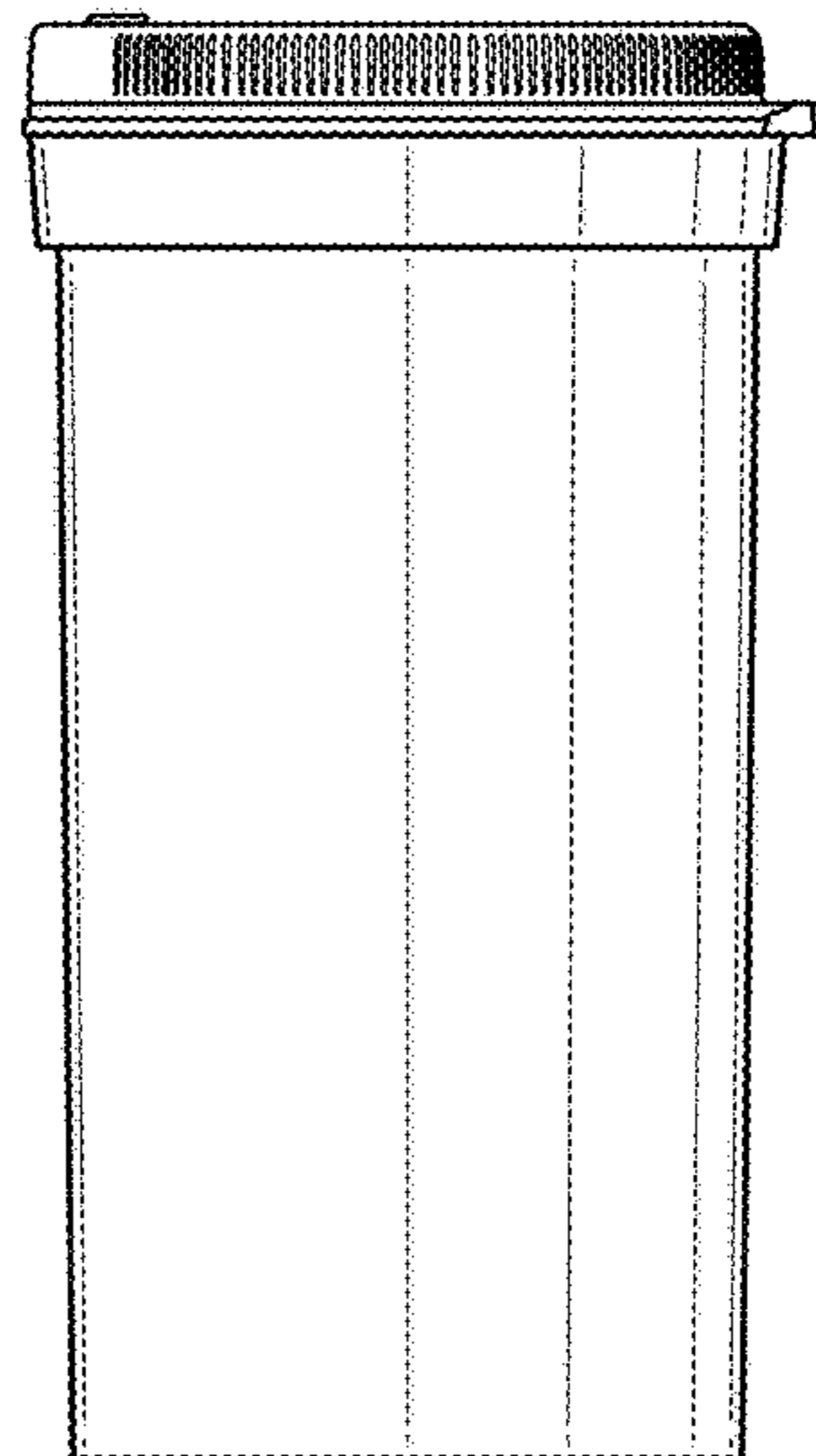


FIG. 14



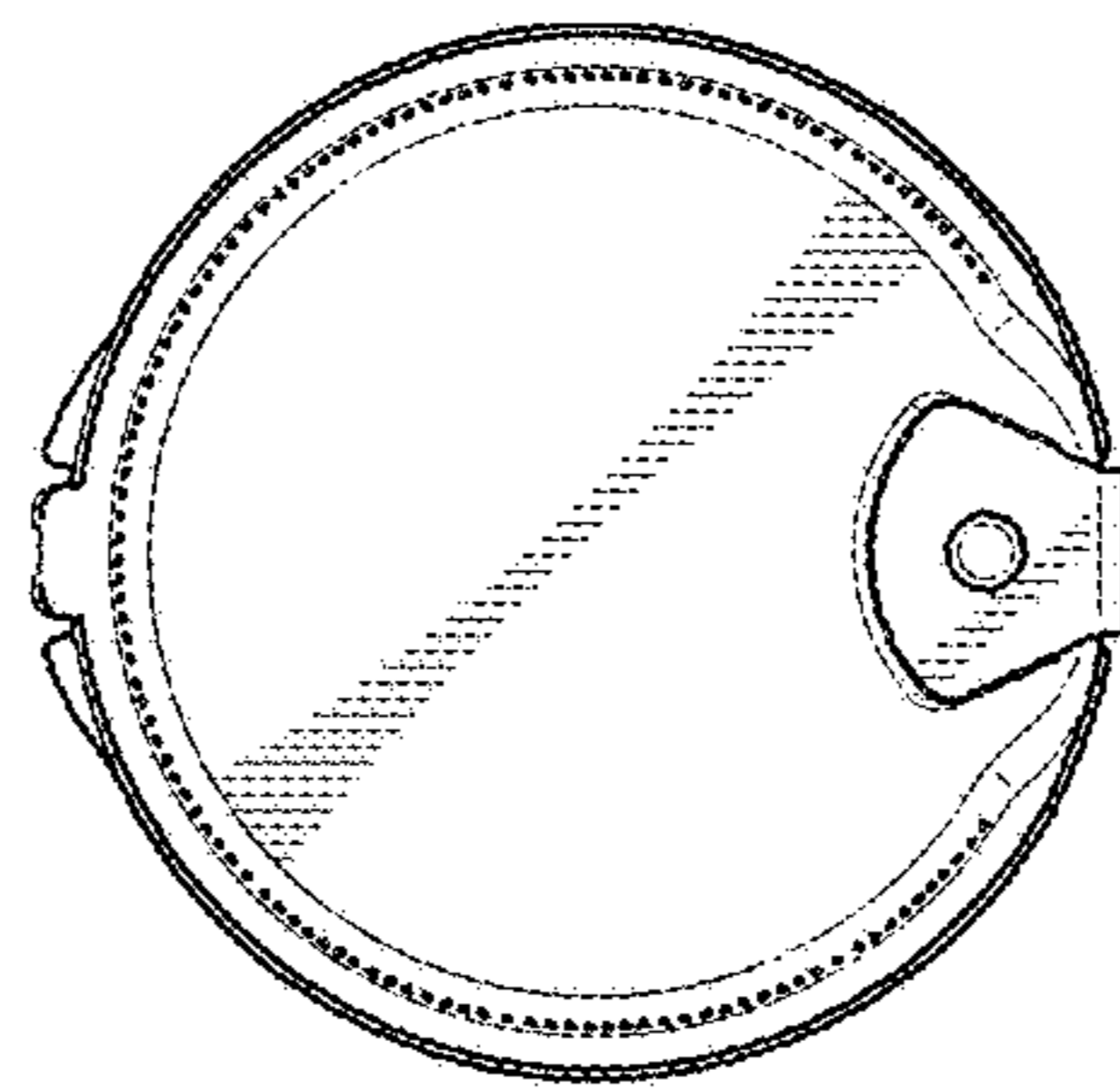


FIG. 15

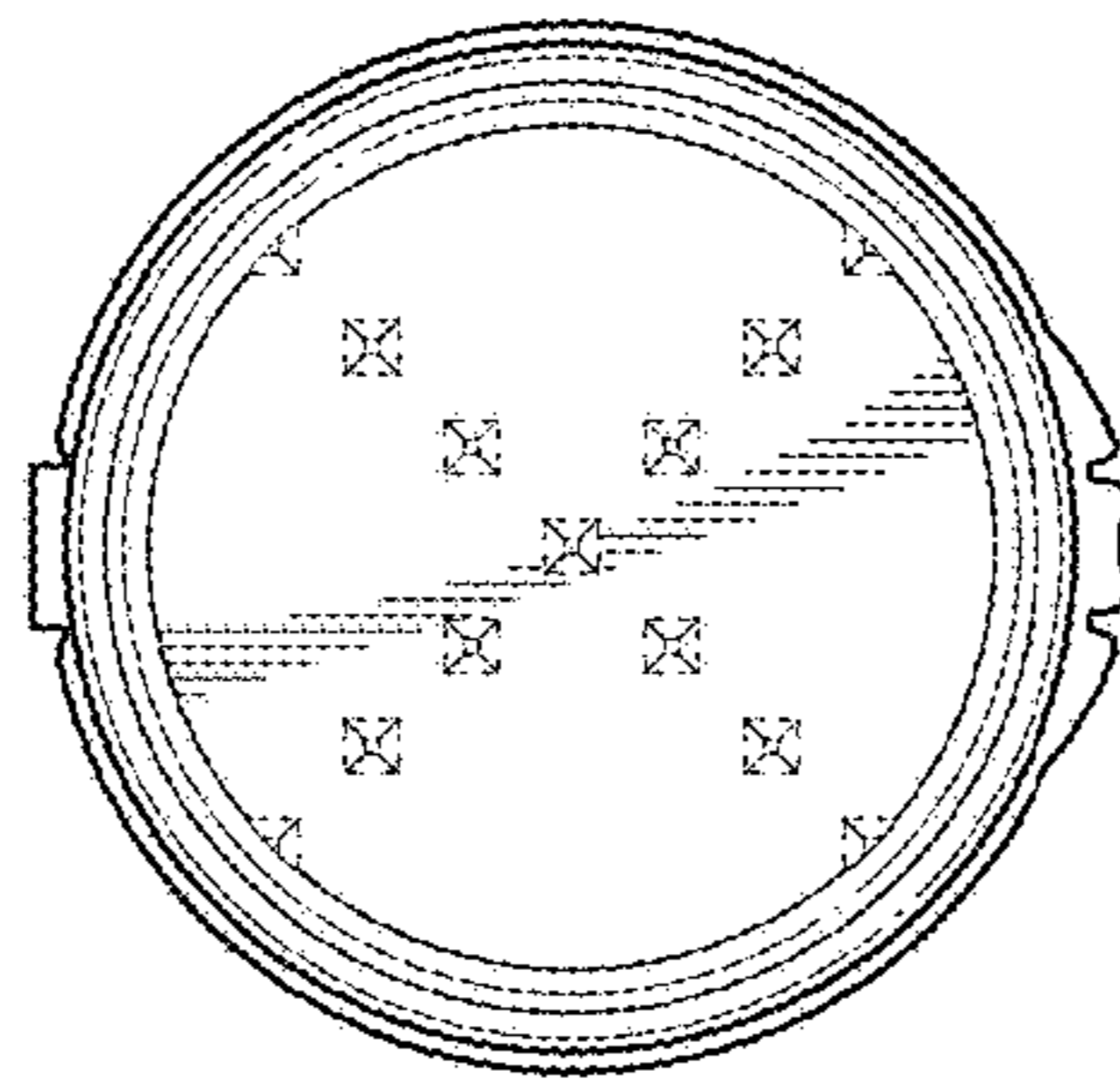


FIG. 16

FIG. 17

