

US00D864653S

(12) **United States Design Patent** (10) **Patent No.:** **US D864,653 S**  
**Elliott et al.** (45) **Date of Patent:** **\*\* Oct. 29, 2019**

(54) **IMMERSION MIXER**

(56) **References Cited**

(71) Applicant: **Hamilton Beach Brands, Inc.**, Glen Allen, VA (US)

U.S. PATENT DOCUMENTS

(72) Inventors: **Joseph R Elliott**, Henrico, VA (US);  
**Michael Garman**, Stafford, VA (US)

D187,038 S *	1/1960	Hvale .....	D7/380
D321,811 S *	11/1991	Littmann .....	D7/379
5,368,384 A	11/1994	Duncan et al.	
D362,587 S *	9/1995	Littmann .....	D7/386
5,863,118 A	1/1999	Ackels et al.	
6,079,865 A *	6/2000	Plavcan .....	A47J 43/044 200/16 R
6,186,656 B1	2/2001	Penaranda et al.	
6,193,404 B1	2/2001	Calange	
6,293,691 B1	9/2001	Rebordosa et al.	
D494,410 S	8/2004	Stuart et al.	
7,070,317 B2 *	7/2006	King .....	B01F 3/1221 366/129
7,172,334 B2	2/2007	Chiappetta	
7,267,476 B2	9/2007	Rutigliano et al.	

(73) Assignee: **Hamilton Beach Brands, Inc.**, Glen Allen, VA (US)

(\*\*) Term: **15 Years**

(21) Appl. No.: **29/671,964**

(22) Filed: **Nov. 30, 2018**

(Continued)

**Related U.S. Application Data**

FOREIGN PATENT DOCUMENTS

(63) Continuation of application No. 16/100,955, filed on Aug. 10, 2018.

WO 2011001312 A 1/2011

(51) **LOC (12) Cl.** ..... **31-00**

*Primary Examiner* — Ricky Pham

(52) **U.S. Cl.**

(74) *Attorney, Agent, or Firm* — Alexander D. Raring

USPC ..... **D7/380**; D7/376; D7/379

(57) **CLAIM**

(58) **Field of Classification Search**

The ornamental design for an immersion mixer with trigger manipulable from multiple grasping locations, as shown and described.

USPC ..... D7/372, 376–386, 393, 412–413, 602, D7/629, 665–666, 669, 679, 693–694

**DESCRIPTION**

CPC .... A21C 1/02; A21C 1/04; A23N 1/00; A23N

FIG. 1 is a perspective view as seen from the right and front sides of an immersion mixer showing the new design;

1/02; A47J 43/04; A47J 43/25; A47J

FIG. 2 is a front view thereof;

43/27; A47J 43/042; A47J 43/044; A47J

FIG. 3 is a rear view thereof;

43/046; A47J 43/0711; A47J 43/075;

FIG. 4 is a right side view thereof;

A47J 43/0722; A47J 43/0727; B01F 3/00;

FIG. 5 is a left side view thereof;

B01F 3/0807; B01F 3/0853; B01F

FIG. 6 is a top view thereof; and,

13/0059; B01F 13/0064; B01F 7/00583;

FIG. 7 is a bottom view thereof.

B01F 7/22; B02C 1/08; B02C 2/04;

Broken lines in the drawings depict portions of the immersion mixer that form no part of the claimed design.

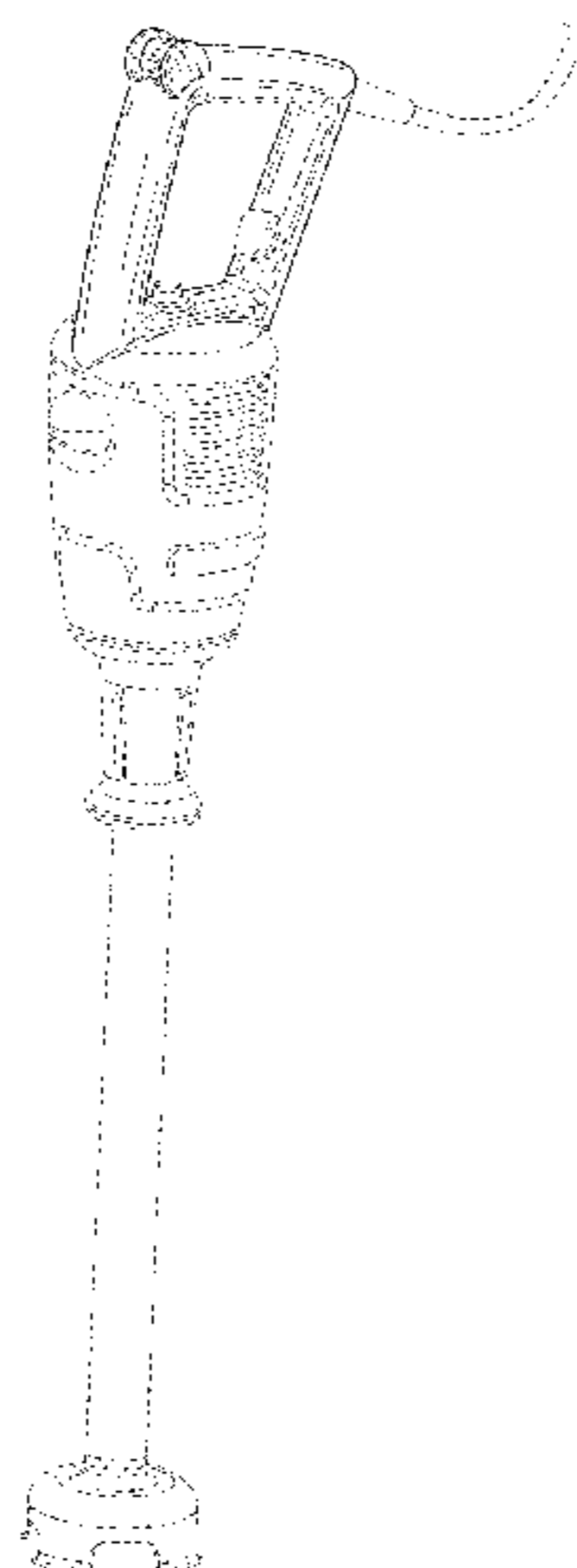
B02C 4/42; B02C 4/142; B02C 4/143;

B02C 4/423; B02C 13/1835; B28C 5/10;

B28C 5/12; B28C 5/14; B28C 5/16

See application file for complete search history.

**1 Claim, 6 Drawing Sheets**



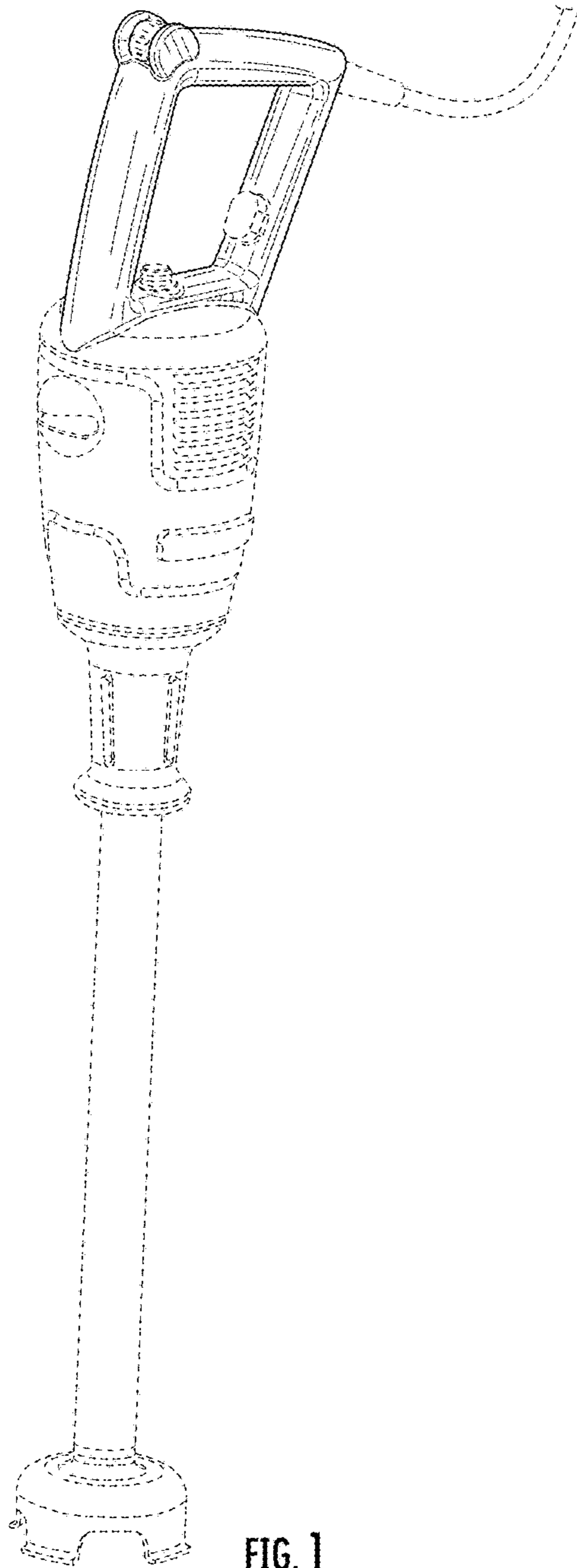
(56)

**References Cited**

U.S. PATENT DOCUMENTS

7,866,879 B2 1/2011 Moschetti  
8,033,712 B2 10/2011 Calange  
D767,934 S \* 10/2016 McConnell ..... D7/376  
9,642,494 B1 \* 5/2017 Brun ..... A47J 43/044  
D803,618 S \* 11/2017 Blazquez ..... D7/379  
D837,585 S \* 1/2019 Trueba Elorza ..... D7/379  
2005/0047268 A1 \* 3/2005 Chen ..... B01F 7/00583  
366/129  
2005/0128865 A1 \* 6/2005 Chiappetta ..... A47J 43/0711  
366/129  
2005/0276158 A1 \* 12/2005 Thomas ..... B01F 7/22  
366/250  
2005/0281130 A1 \* 12/2005 Hsieh ..... B01F 7/00583  
366/129  
2016/0235250 A1 9/2016 Boumay, Jr. et al.

\* cited by examiner



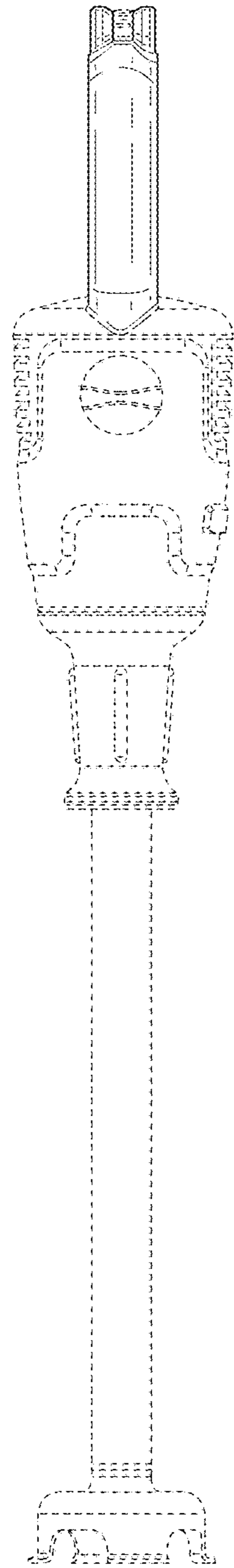


FIG. 2

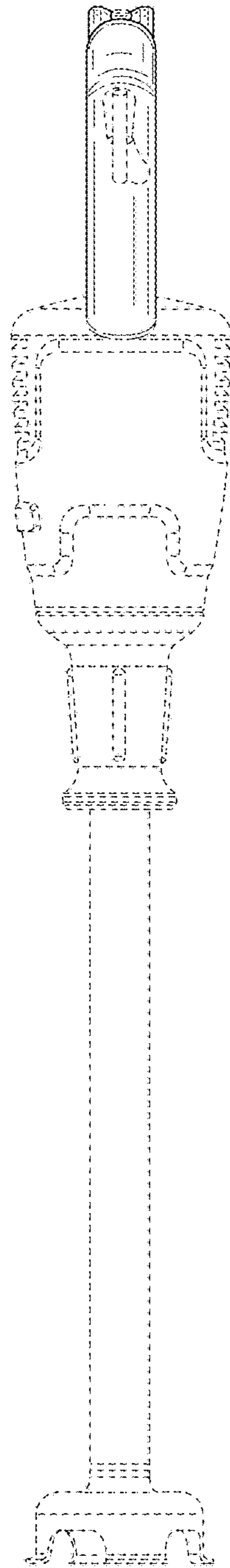


FIG. 3

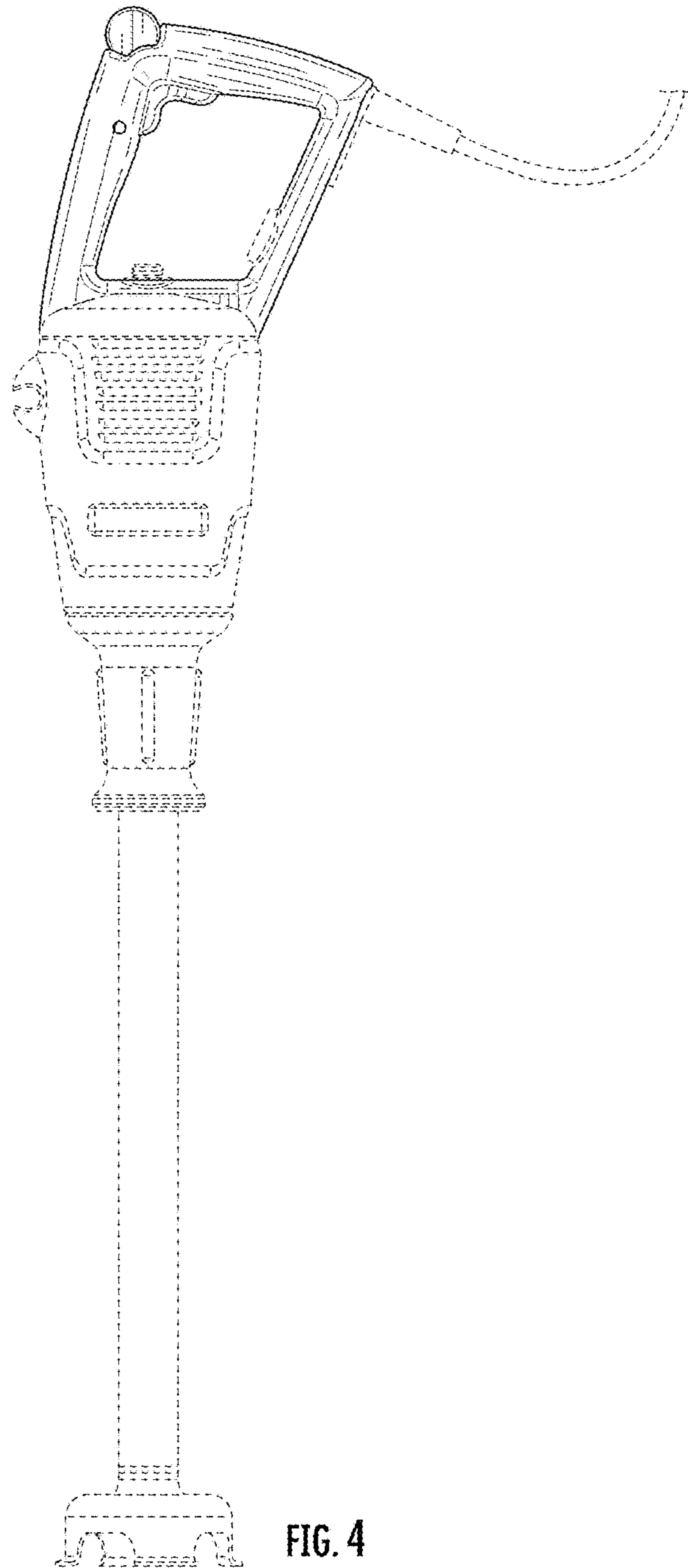


FIG. 4

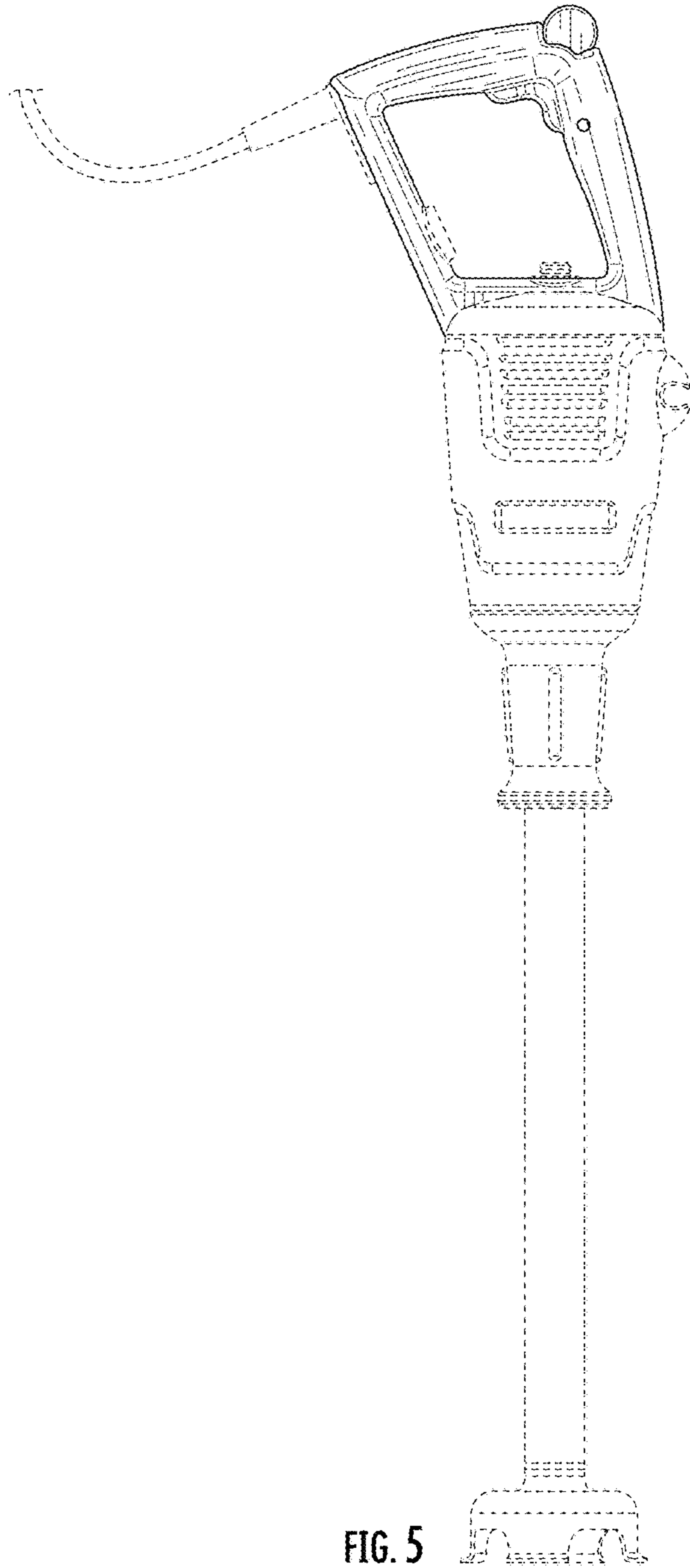


FIG. 5

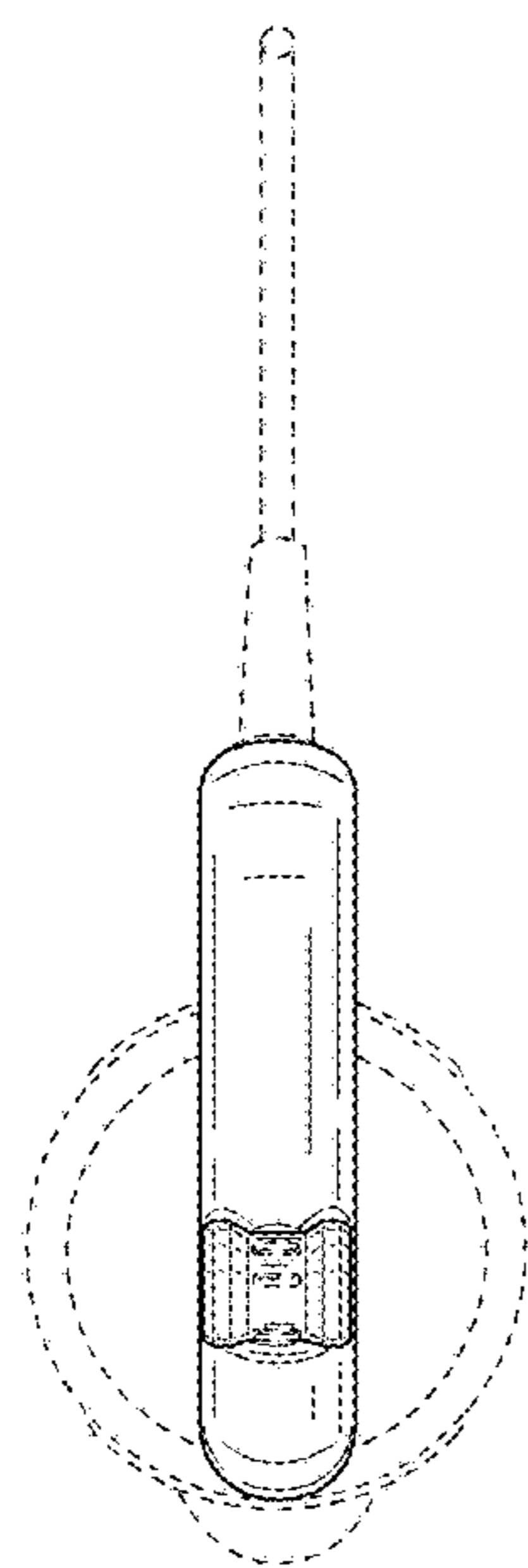


FIG. 6

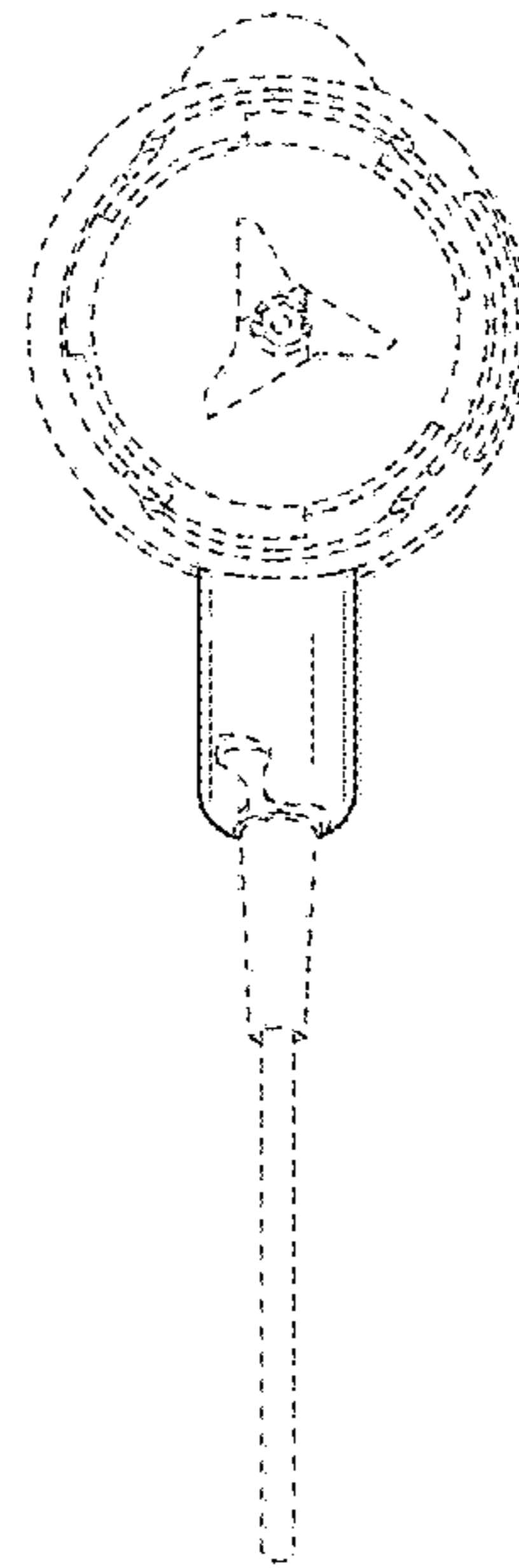


FIG. 7