



US00D864652S

(12) **United States Design Patent**  
**Lindsay et al.**

(10) **Patent No.:** **US D864,652 S**  
(45) **Date of Patent:** **\*\* Oct. 29, 2019**

(54) **CONTAINER HAVING A BOTTOM AND LID**

(71) Applicant: **Sistema Plastics Limited**, Mangere, Auckland (NZ)

(72) Inventors: **Cameron Lindsay**, Auckland (NZ);  
**Raymond Holmes**, Auckland (NZ)

(73) Assignee: **SISTEMA PLASTICS LIMITED** (NZ)

(\*\*) Term: **15 Years**

(21) Appl. No.: **29/635,167**

(22) Filed: **Jan. 29, 2018**

(30) **Foreign Application Priority Data**

Jul. 28, 2017 (ZA) ..... F2017/01196

(51) **LOC (12) Cl.** ..... **07-02**

(52) **U.S. Cl.**  
USPC ..... **D7/359**

(58) **Field of Classification Search**  
USPC ..... D9/414, 420-423, 424, 425, 432;  
D7/354, 357, 359, 360, 601, 602, 611,  
(Continued)

(56) **References Cited**

**U.S. PATENT DOCUMENTS**

3,017,820 A 1/1962 Richards  
4,413,167 A \* 11/1983 Martel ..... A23B 5/01  
219/729

(Continued)

**FOREIGN PATENT DOCUMENTS**

WO 2017/079807 A1 5/2017

**OTHER PUBLICATIONS**

Nordic Ware, 2 Cavity Egg Poacher, Jul. 17, 2017, available at <https://web.archive.org/web/20170717220449/https://www.nordicware.com/2-cavity-egg-poacher#detail>, accessed Jun. 1, 2018, 6 pages.

(Continued)

*Primary Examiner* — Lauren R Calve

(74) *Attorney, Agent, or Firm* — McCarter & English, LLP

(57) **CLAIM**

The ornamental design for a container having a bottom and lid, as shown and described.

**DESCRIPTION**

FIG. 1 is a top front perspective view of a container having a bottom and lid;

FIG. 2 is a front view of the container having a bottom and lid of FIG. 1;

FIG. 3 is a rear view of the container having a bottom and lid of FIG. 1;

FIG. 4 is a left side view of the container having a bottom and lid of FIG. 1;

FIG. 5 is a right side view of the container having a bottom and lid of FIG. 1;

FIG. 6 is a bottom view of the container having a bottom and lid of FIG. 1;

FIG. 7 is a top front perspective view of the container having a bottom and lid of FIG. 1 with the lid and bottom separated;

FIG. 8 is a front view of the container having a bottom and lid of FIG. 1 with the lid and bottom separated;

FIG. 9 is a rear view of the container having a bottom and lid of FIG. 1 with the lid and bottom separated;

FIG. 10 is a left side view of the container having a bottom and lid of FIG. 1 with the lid and bottom separated;

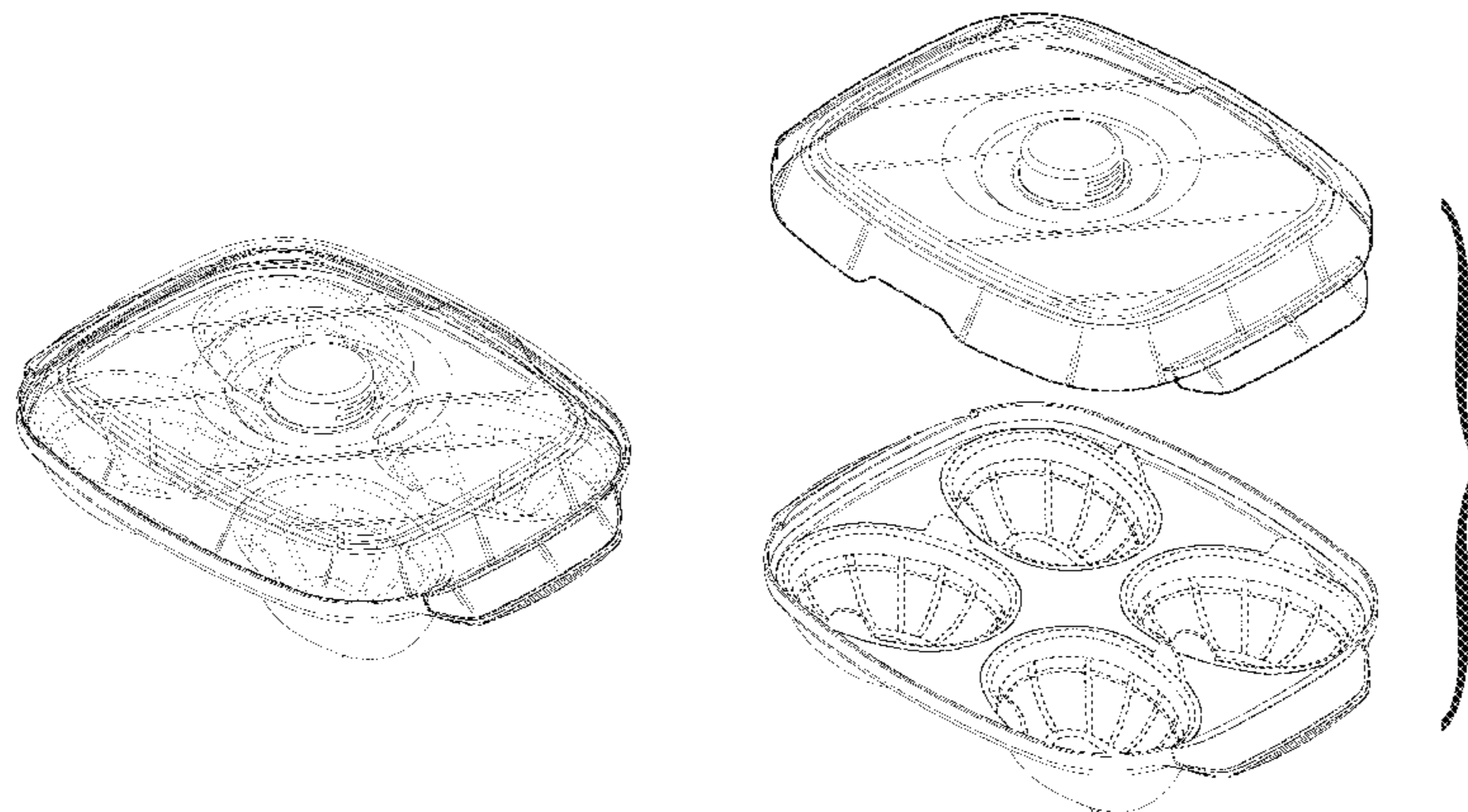
FIG. 11 is a right side view of the container having a bottom and lid of FIG. 1 with the lid and bottom separated;

FIG. 12 is a top view of the lid of the container having a bottom and lid of FIG. 1, the bottom thereof removed for clarity of illustration; and,

FIG. 13 is a cross-sectional view thereof taken along lines 13-13 of FIG. 10.

The broken lines show structure that is not part of the claimed design, but rather are directed to environment in which the design is associated, or show portions of the

(Continued)



article on which the design is embodied or applied, and are for illustrative purposes only. The broken lines form no part of the claimed design. The oblique shading lines indicate transparent surfaces.

### 1 Claim, 13 Drawing Sheets

#### (58) Field of Classification Search

USPC ..... D7/629, 630, 701, 703, 705, 708;  
D3/201, 203.3, 205, 206, 273, 302  
CPC ..... A47J 27/002; A47J 36/06; A47J 36/027;  
A47J 27/00; A47J 36/02

See application file for complete search history.

#### (56) References Cited

##### U.S. PATENT DOCUMENTS

5,229,564 A \* 7/1993 Chiba ..... A47J 36/027  
162/158  
D344,660 S \* 3/1994 Krupa ..... D7/539  
D423,864 S \* 5/2000 Chang ..... D7/323  
D566,482 S \* 4/2008 Tucker ..... D7/542  
D609,523 S \* 2/2010 Mai ..... D7/354  
D622,588 S \* 8/2010 Wichmann ..... D9/424

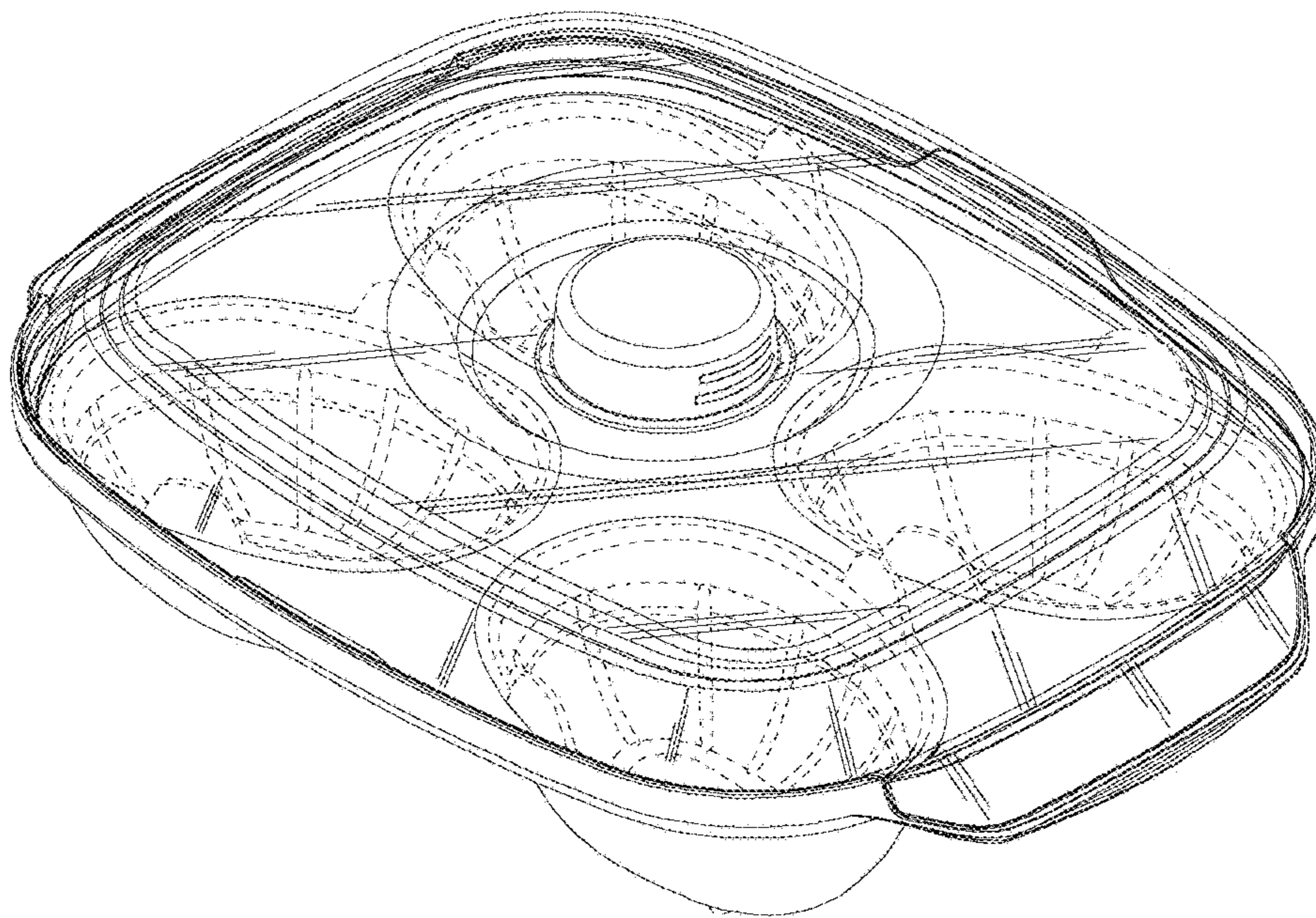
D643,310 S \* 8/2011 Birchmeier ..... D9/425  
D648,636 S \* 11/2011 Golota ..... D9/424  
D649,033 S \* 11/2011 Epstein ..... D9/425  
D737,102 S \* 8/2015 Hand ..... D7/542  
D747,913 S \* 1/2016 Lee ..... D7/354  
D798,740 S \* 10/2017 Lee ..... D9/758  
D804,238 S \* 12/2017 Xiong ..... D7/359  
D808,708 S \* 1/2018 Joseph ..... D7/357  
D828,155 S \* 9/2018 Mazzuca ..... D9/425  
2009/0218347 A1 \* 9/2009 Helou, Jr. .... B65D 43/0202  
220/309.1  
2011/0259897 A1 \* 10/2011 Coursey ..... F25D 3/08  
220/592.03  
2013/0341335 A1 \* 12/2013 Sitabkhan ..... A47J 27/002  
220/573.5  
2014/0166644 A1 6/2014 Hale et al.  
2015/0216357 A1 \* 8/2015 Josephson ..... A47J 36/027  
219/732  
2018/0140131 A1 \* 5/2018 Alves ..... A47J 36/06  
2018/0249856 A1 \* 9/2018 Samartgis ..... A47J 36/027

##### OTHER PUBLICATIONS

Joseph Joseph, Product Collection Spring 2017, Jan. 9, 2017, pp. 1, 64, available at <https://issuu.com/josephjosephofficial/docs/josephjoseph-catalogue-2017-eng-sin>, accessed Jun. 7, 2018, 4 pages.

\* cited by examiner





**FIG. 1**

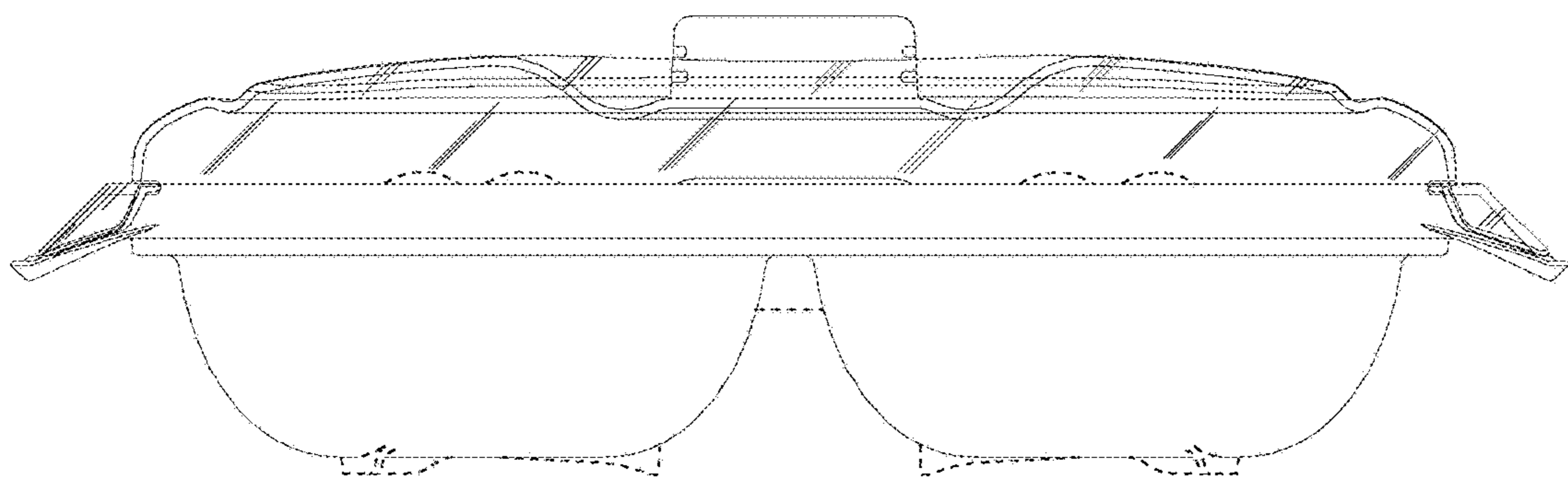


FIG. 2

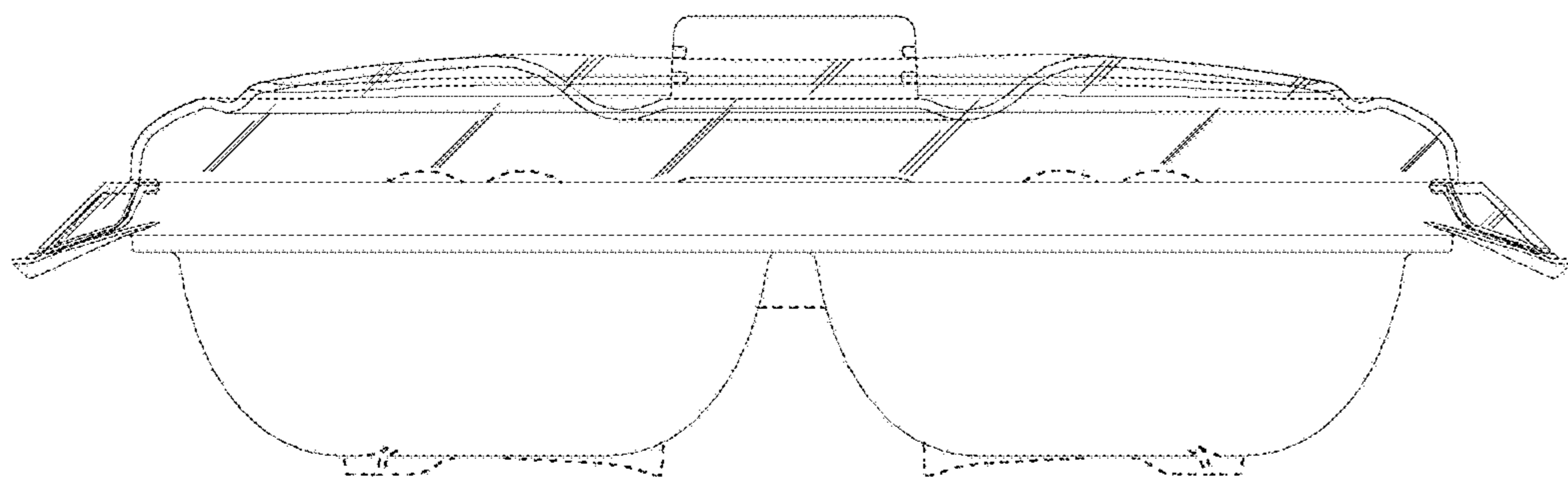
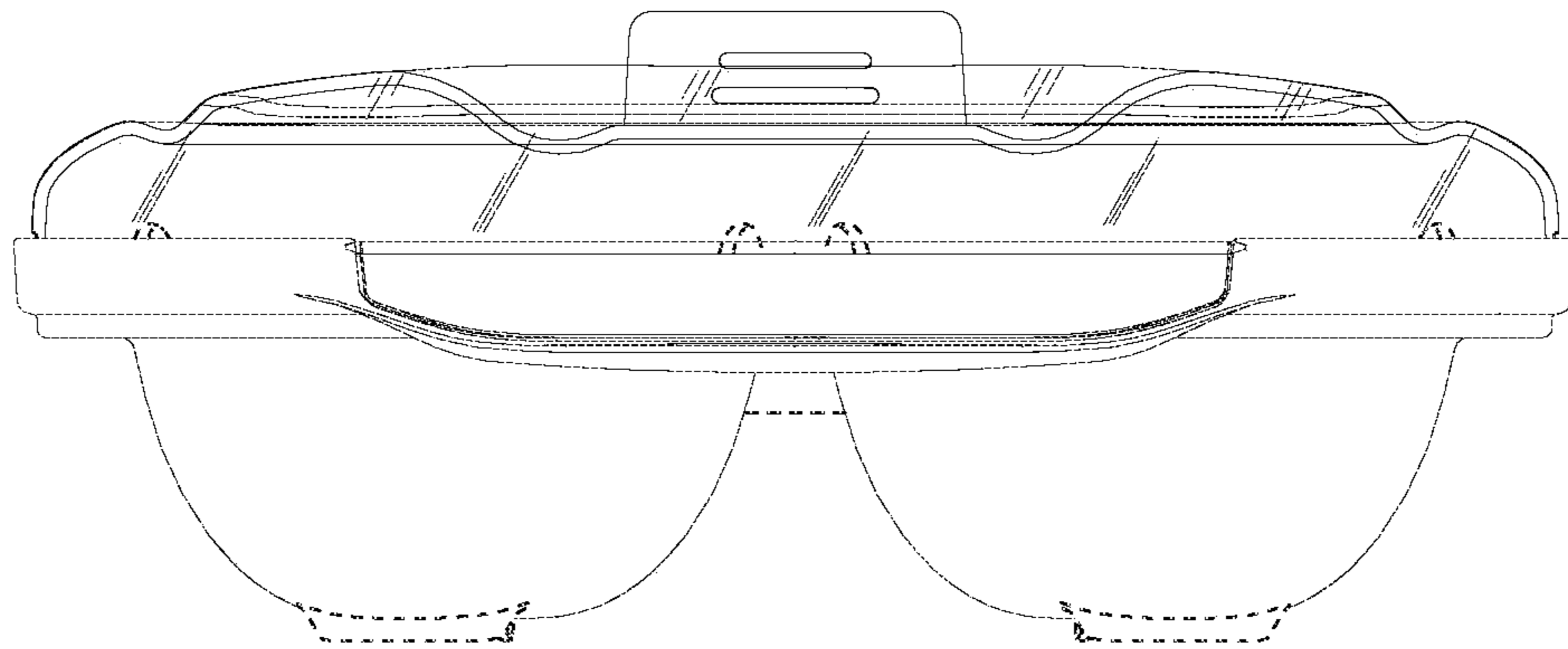


FIG. 3



**FIG. 4**

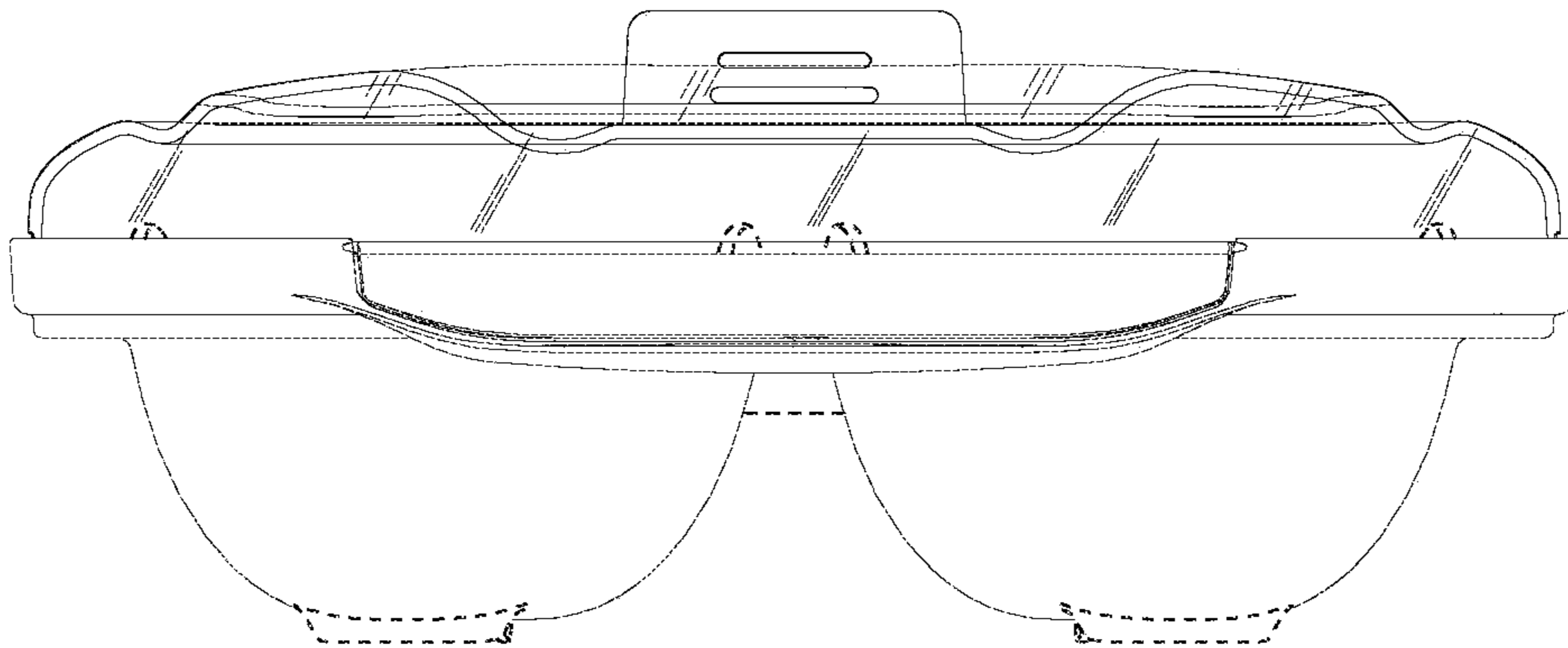


FIG. 5

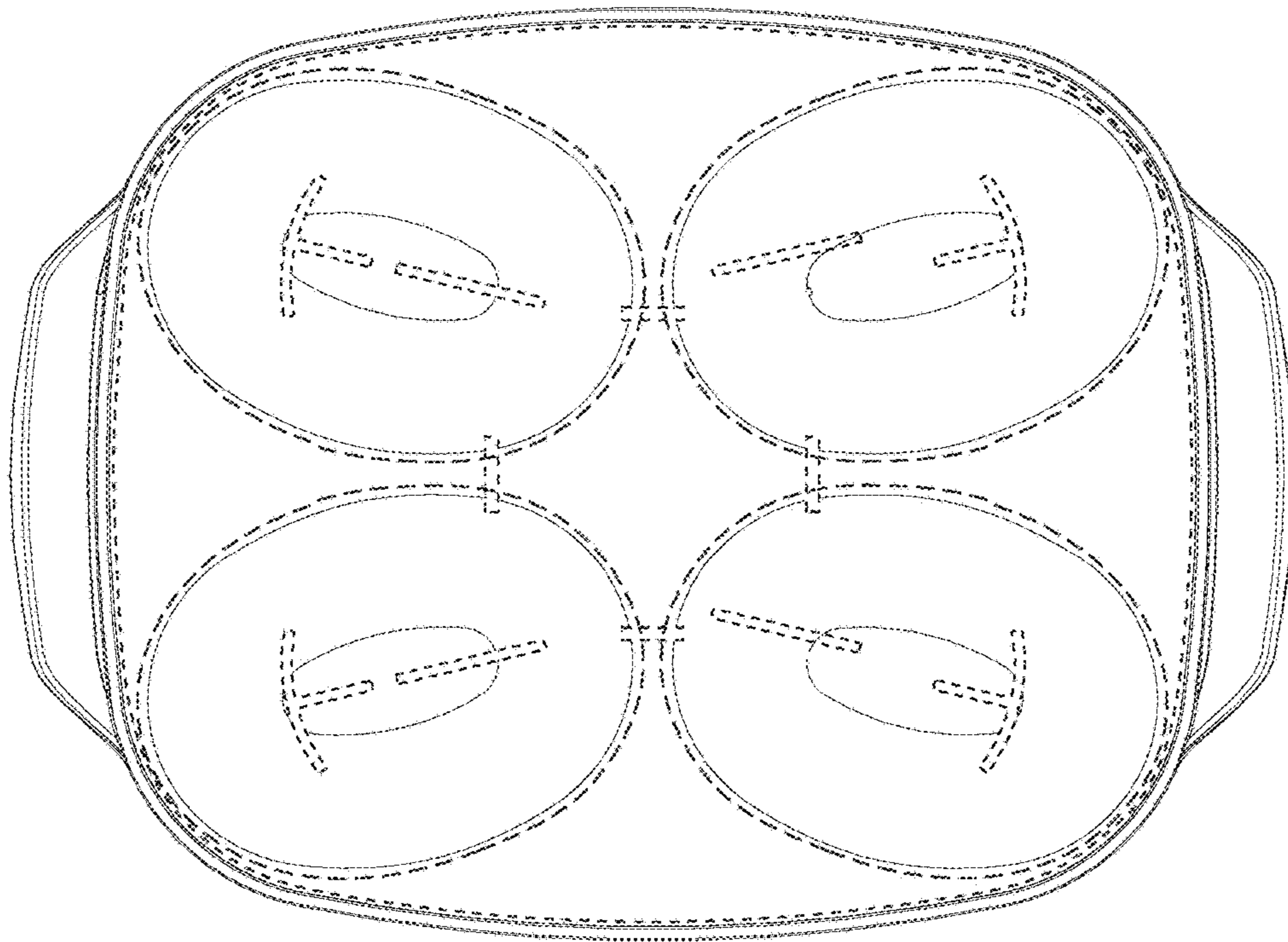


FIG. 6



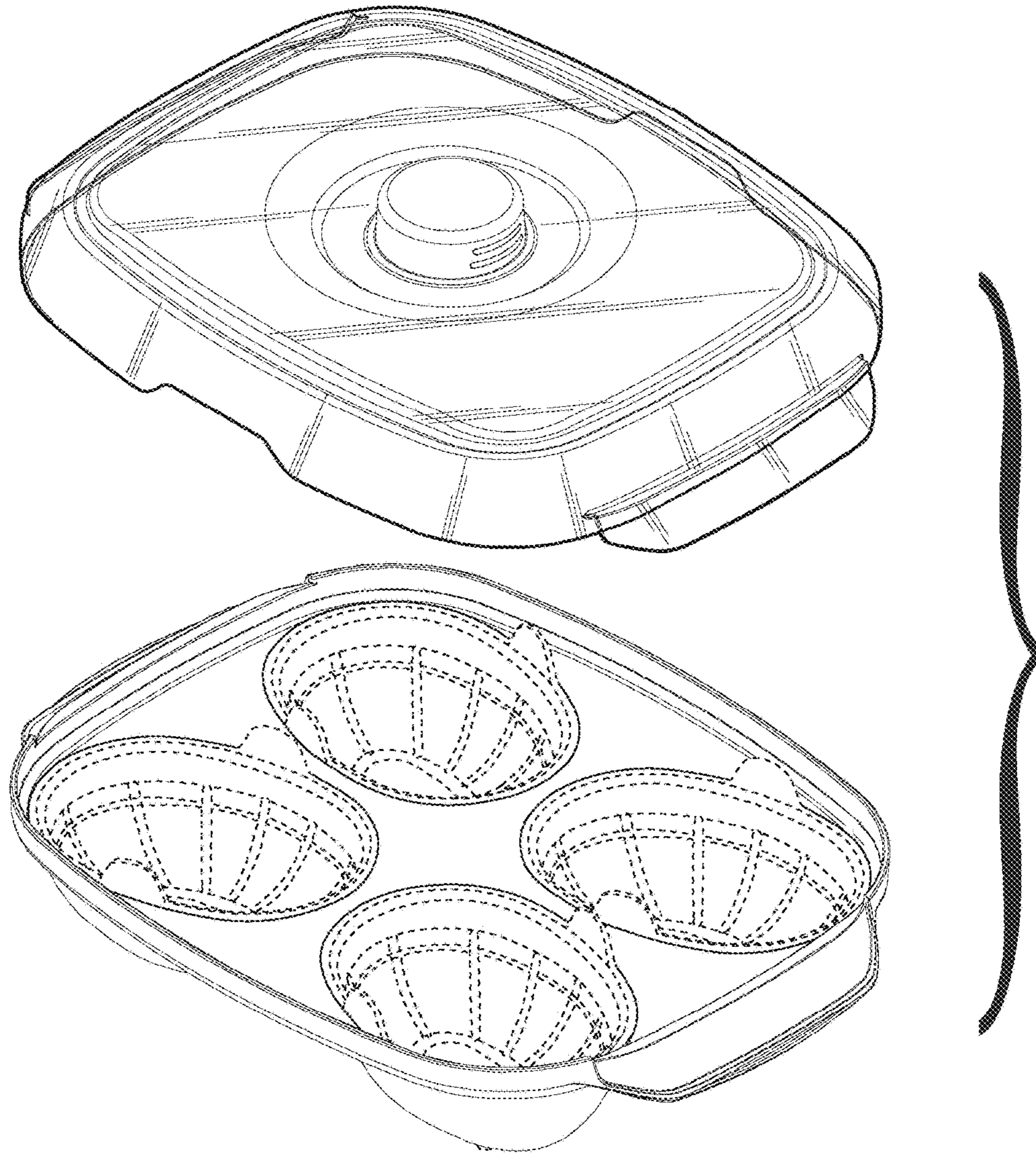


FIG. 7

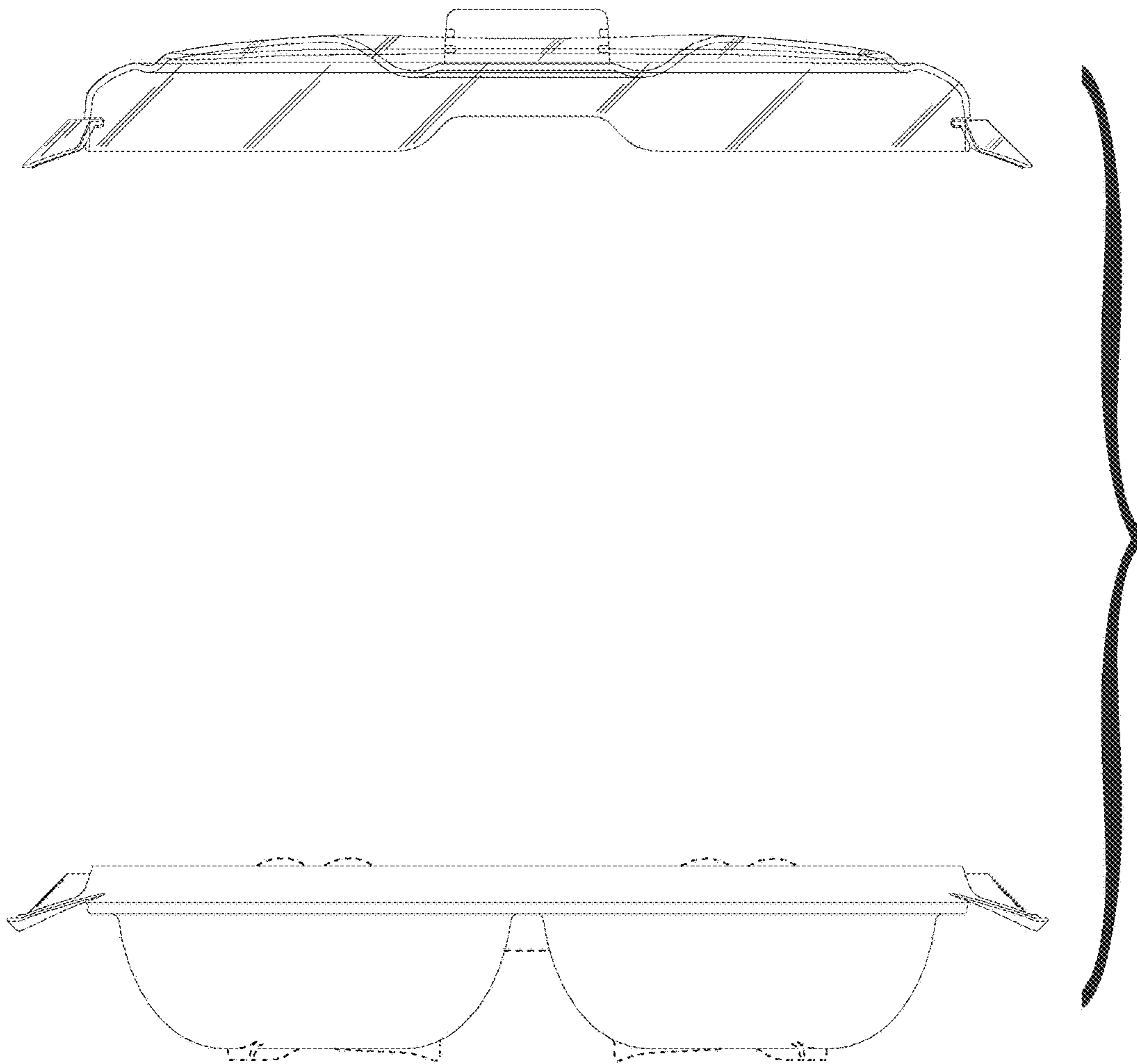


FIG. 8

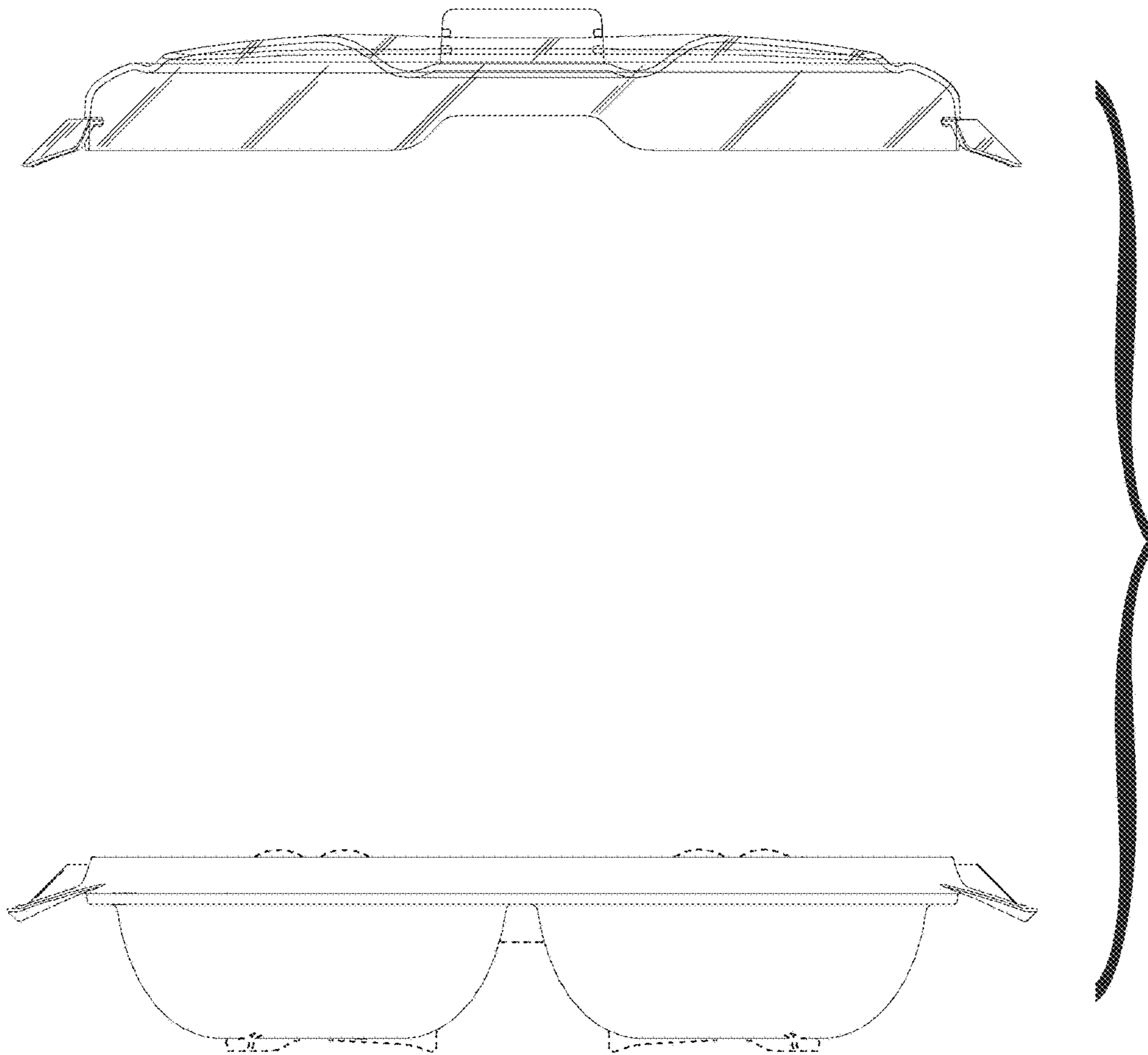


FIG. 9

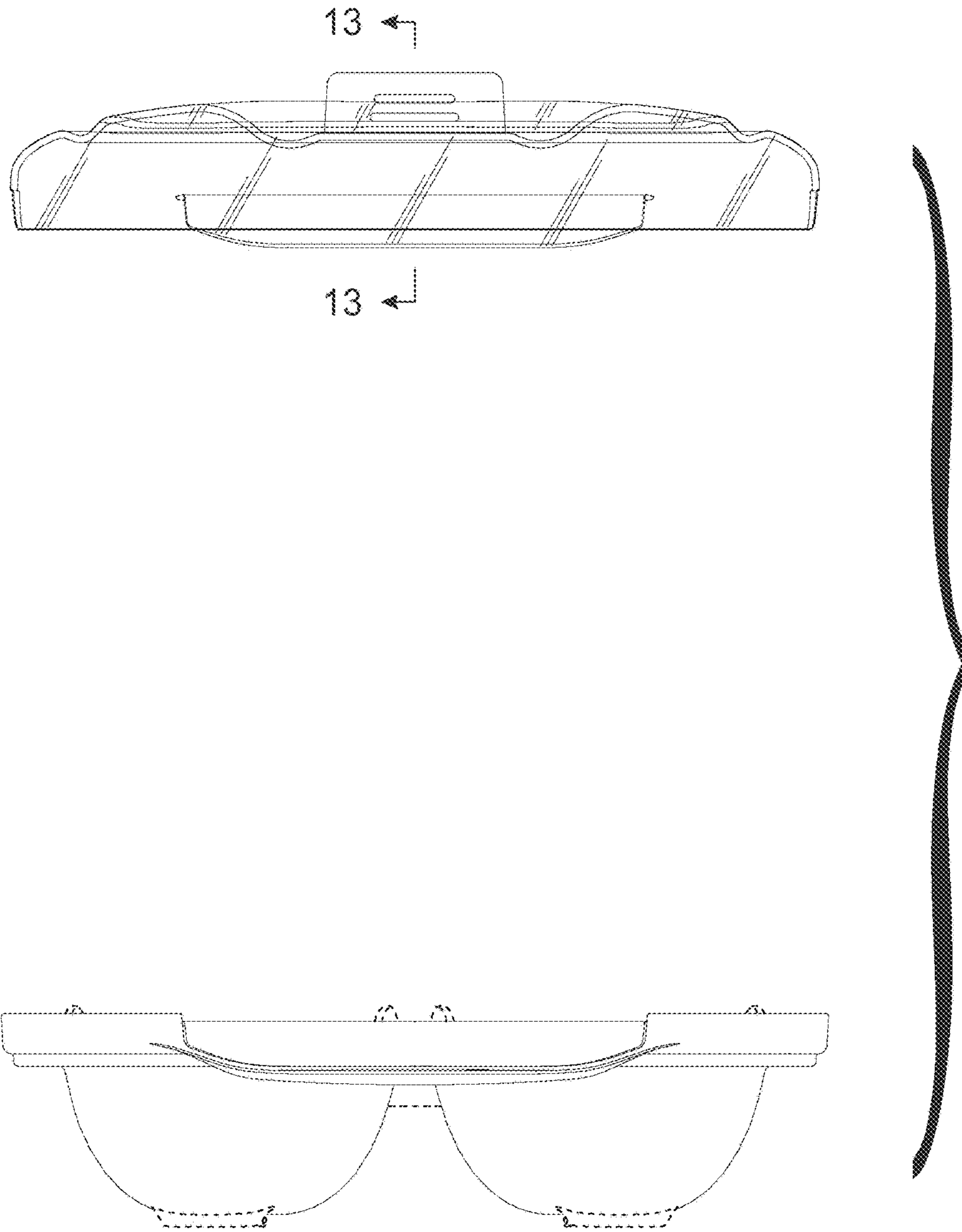


FIG. 10

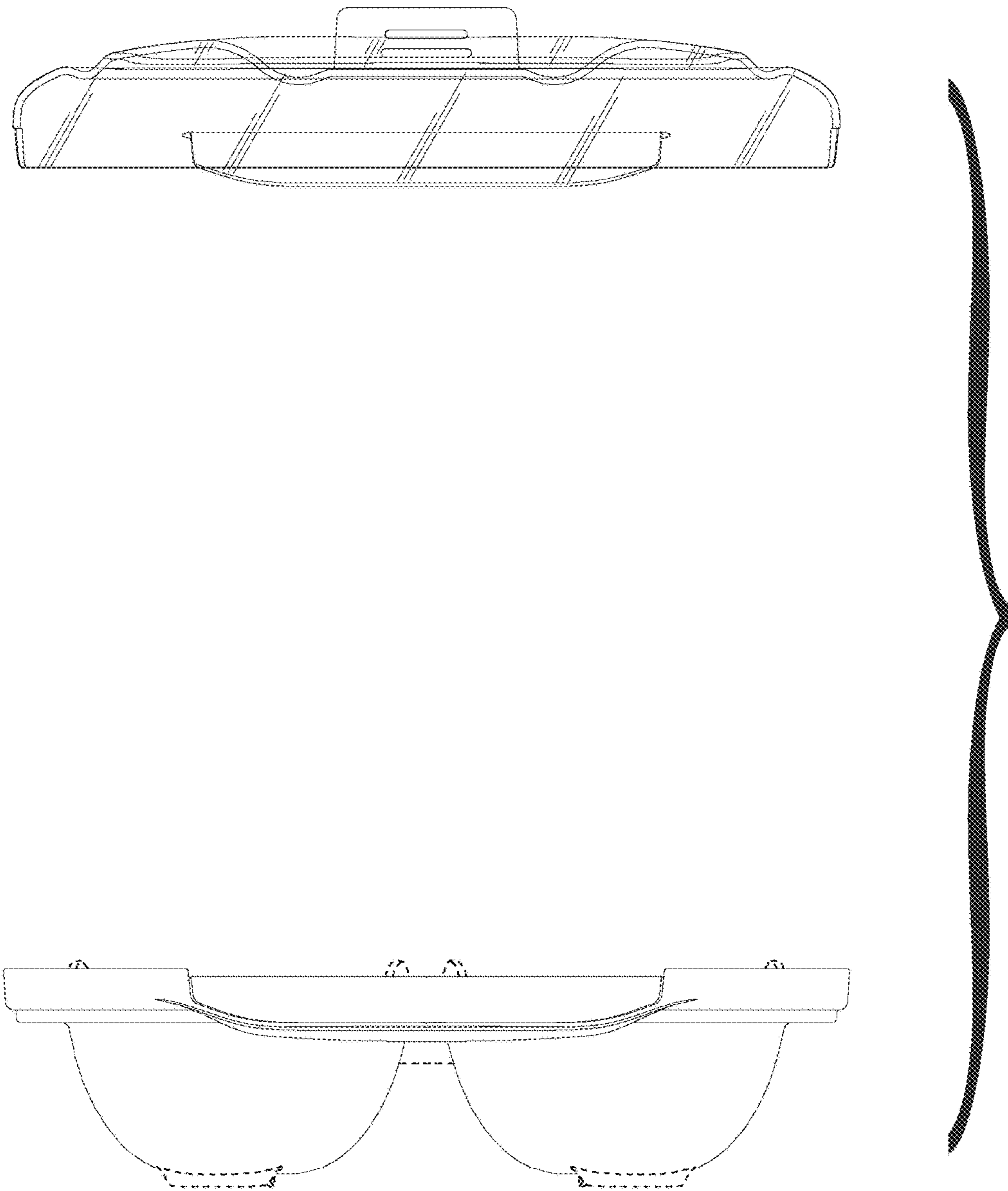


FIG. 11



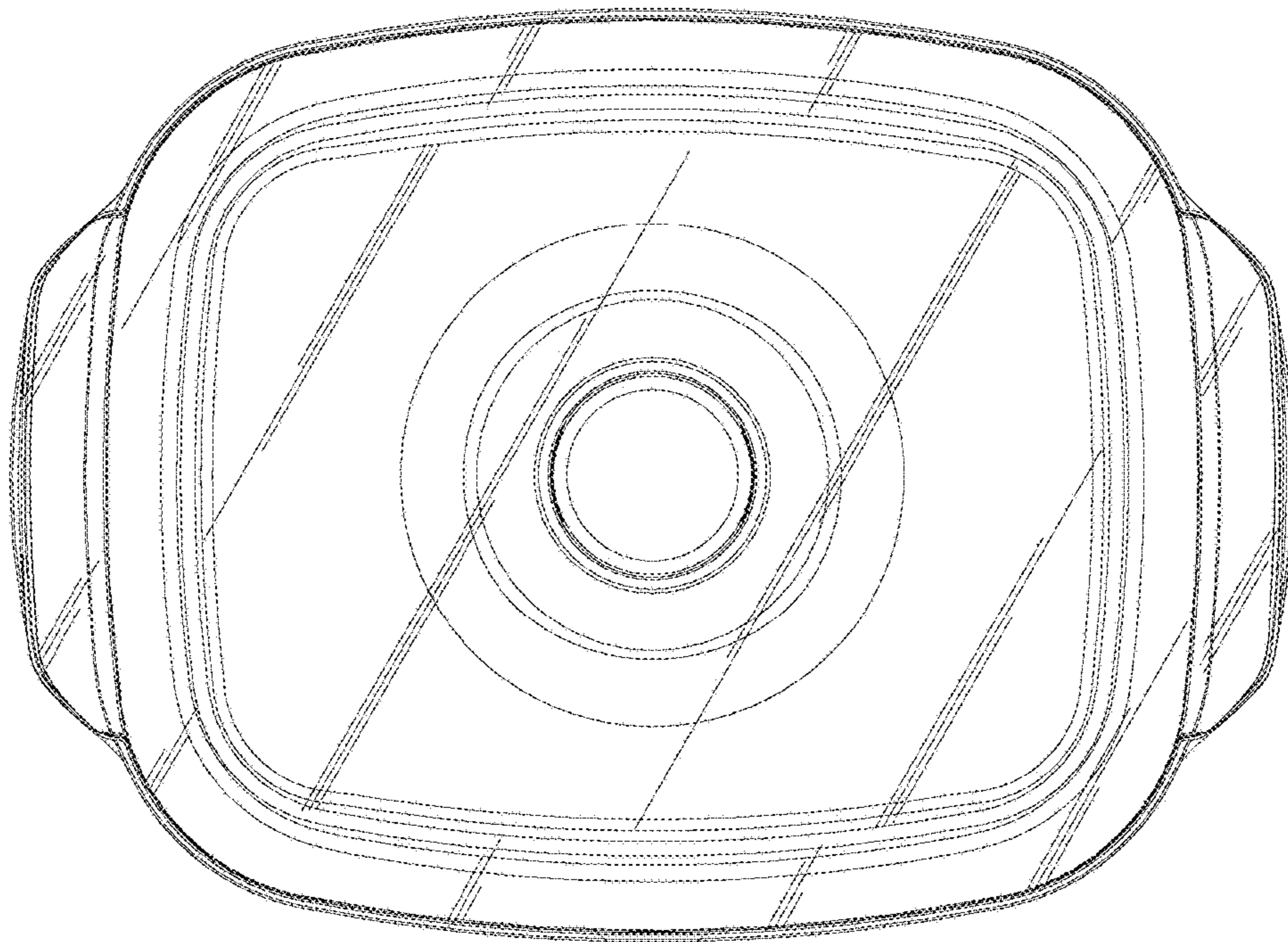


FIG. 12

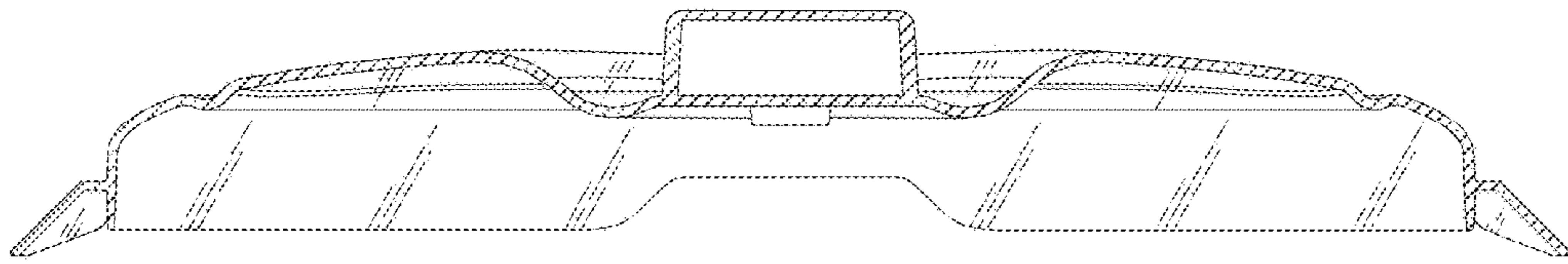


FIG. 13