



US00D864651S

(12) **United States Design Patent**
Lindsay et al.

(10) **Patent No.:** **US D864,651 S**
(45) **Date of Patent:** **** Oct. 29, 2019**

(54) **CONTAINER HAVING A BOTTOM AND LID**

(71) Applicant: **Sistema Plastics Limited**, Mangere, Auckland (NZ)

(72) Inventors: **Cameron Lindsay**, Auckland (NZ);
Raymond Holmes, Auckland (NZ)

(73) Assignee: **SISTEMA PLASTICS LIMITED** (NZ)

(**) Term: **15 Years**

(21) Appl. No.: **29/635,166**

(22) Filed: **Jan. 29, 2018**

(30) **Foreign Application Priority Data**

Jul. 28, 2017 (ZA) F2017/01195

(51) **LOC (12) Cl.** **07-02**

(52) **U.S. Cl.**
USPC **D7/359**

(58) **Field of Classification Search**
USPC D9/414, 420-423, 424, 425, 432;
D7/354, 357, 359, 360, 601, 602, 611,
(Continued)

(56) **References Cited**

U.S. PATENT DOCUMENTS

D344,660 S * 3/1994 Krupa D7/539
D443,509 S * 6/2001 Nantel D9/423
(Continued)

OTHER PUBLICATIONS

Nordic Ware Microwave 2-Sided Round Bacon and Meat Grill,
<https://www.amazon.com/Nordic-Ware-Microwave-2-Sided-Round/dp/B00004W4UM>, Oct. 2, 2001, printed Apr. 16, 2018, 9 pages.

(Continued)

Primary Examiner — Lauren R Calve

(74) *Attorney, Agent, or Firm* — McCarter & English, LLP

(57) **CLAIM**

The ornamental design for a container having a bottom and lid, as shown and described.

DESCRIPTION

FIG. 1 is a top front perspective view of a container having a bottom and lid;

FIG. 2 is a front view of the container having a bottom and lid of FIG. 1;

FIG. 3 is a rear view of the container having a bottom and lid of FIG. 1;

FIG. 4 is a left side view of the container having a bottom and lid of FIG. 1;

FIG. 5 is a right side view of the container having a bottom and lid of FIG. 1;

FIG. 6 is a top view of the bottom of the container having a bottom and lid of FIG. 1, the lid removed for clarity of illustration;

FIG. 7 is a top front perspective view of the container having a bottom and lid of FIG. 1 with the lid and bottom separated;

FIG. 8 is a front view of the container having a bottom and lid of FIG. 1 with the lid and bottom separated;

FIG. 9 is a rear view of the container having a bottom and lid of FIG. 1 with the lid and bottom separated;

FIG. 10 is a left side view of the container having a bottom and lid of FIG. 1 with the lid and bottom separated;

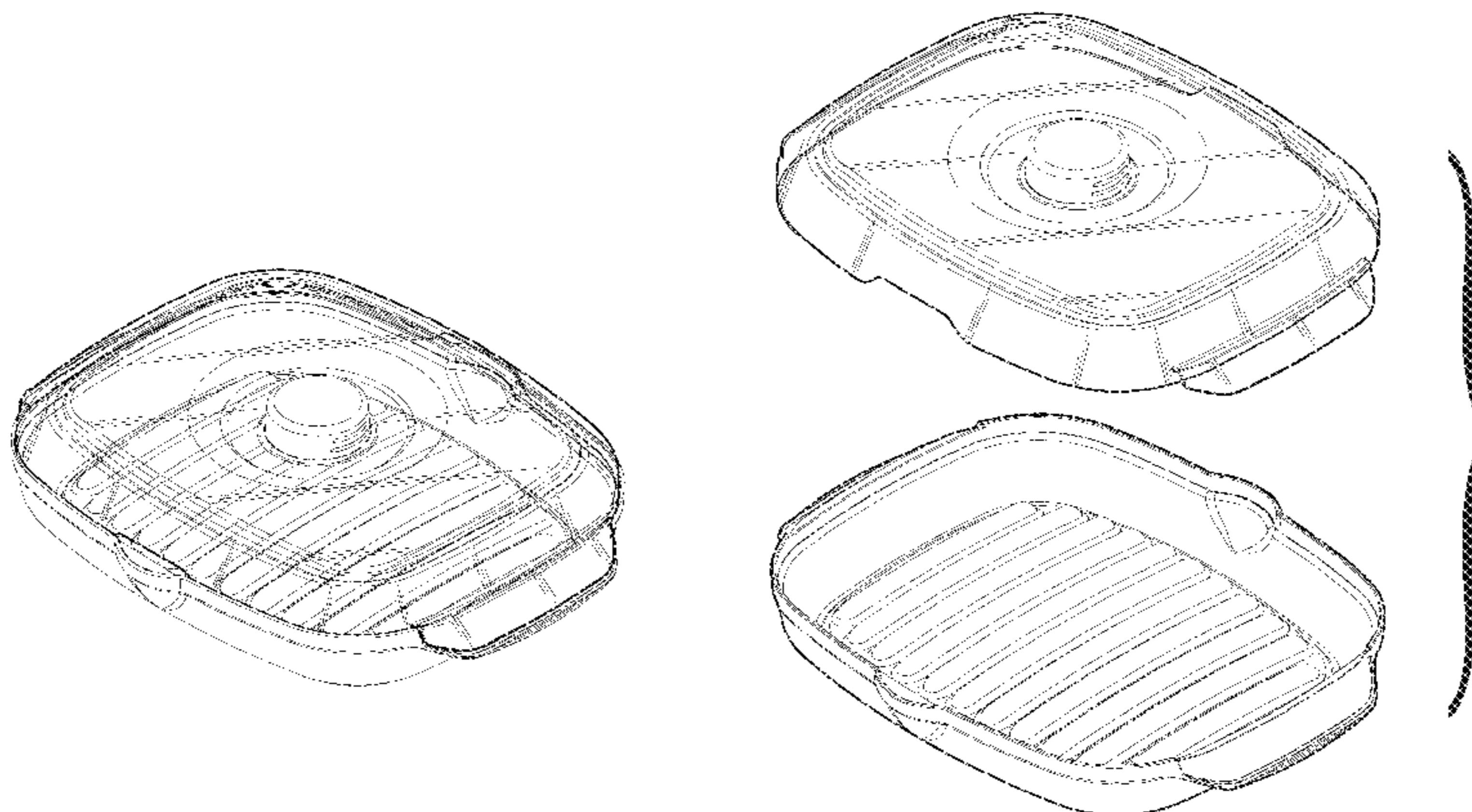
FIG. 11 is a right side view of the container having a bottom and lid of FIG. 1 with the lid and bottom separated;

FIG. 12 is a top view of the lid of the container having a bottom and lid of FIG. 1, the Bottom thereof removed for clarity of illustration; and,

FIG. 13 is a cross-sectional view thereof taken along lines 13-13 of FIG. 10.

The oblique shading lines indicate transparent surfaces.

1 Claim, 13 Drawing Sheets



(58) **Field of Classification Search**

USPC D7/629, 630, 701, 703, 705, 708;
 D3/201, 203.3, 205, 206, 273, 302
 CPC A47J 27/002; A47J 36/06; A47J 36/027;
 A47J 27/00; A47J 36/02

See application file for complete search history.

(56)

References Cited

U.S. PATENT DOCUMENTS

D471,397	S *	3/2003	Wright	D7/359
6,608,292	B1 *	8/2003	Barnes	A47J 36/027 219/730
D505,082	S *	5/2005	Bruce	D9/429
D566,482	S *	4/2008	Tucker	D7/542
D591,148	S *	4/2009	Parikh	D7/629
D609,523	S *	2/2010	Mai	D7/354
D622,588	S *	8/2010	Wichmann	D9/424
D633,333	S *	3/2011	Sarnoff	D7/354
D643,310	S *	8/2011	Birchmeier	D9/425
D648,636	S *	11/2011	Golota	D9/424
D649,033	S *	11/2011	Epstein	D9/425
D691,425	S *	10/2013	Zemel	D7/629
D737,102	S *	8/2015	Hand	D7/542
D747,221	S *	1/2016	Changpan	D9/425
D747,913	S *	1/2016	Lee	D7/354
D804,238	S *	12/2017	Xiong	D7/359
D828,155	S *	9/2018	Mazzuca	D9/425
2003/0116572	A1 *	6/2003	Klock	A47J 36/027 220/367.1
2016/0120363	A1 *	5/2016	Zwanenburg	A47J 37/108 426/523

2016/0270594	A1 *	9/2016	Verheem	A47J 37/101
2017/0215623	A1 *	8/2017	Samartgis	A47J 27/002
2018/0140131	A1 *	5/2018	Alves	A47J 36/06
2018/0249856	A1 *	9/2018	Samartgis	A47J 36/027

OTHER PUBLICATIONS

Starmaid Microwave Twin Egg Poacher and Bacon Grill, Granite Gray, https://www.amazon.com/Starmaid-Microwave-Poacher-Bacon-Granite/dp/B008U8D7BS/ref=cm_cr_arp_d_product_top?ie=UTF8, Aug. 6, 2012, printed Apr. 16, 2018, 3 pages.

Microwave Bacon Crisper, <https://www.amazon.com/OXO-Grips-Microwave-Bacon-Cooker/dp/B06W2MHM7W>, Feb. 16, 2017, printed Apr. 20, 2018, 9 pages.

Microwave Bacon Tray, <https://www.amazon.com/Piggy-Microwave-Splatter-Strips-2-Inches/dp/B0049WV8S8>, Nov. 1, 2010, printed Apr. 20, 2018, 7 pages.

Emily Capiello, "LéKué Debuts Microwave Bacon Cooker", Gourmet Insider, Mar. 14, 2016, available at <https://www.gourmetinsider.com/lekue-debuts-microwave-bacon-cooker/>, accessed Apr. 16, 2018, 3 pages.

Microwave Bacon Grill with Cover, <https://www.amazon.com/Progressive-Solutions-Microwave-Bacon-Grill/dp/B00IQKES11>, Mar. 2, 2014, accessed Apr. 16, 2018, 7 pages.

Freakin' Reviews, Screen Shot of "Bacon Boss Review: Does it Create Crispy, Flat Bacon?" YouTube video, Nov. 8, 2016, https://www.youtube.com/watch?v=XkBLULP_pG8, accessed Apr. 20, 2018, 1 page.

* cited by examiner

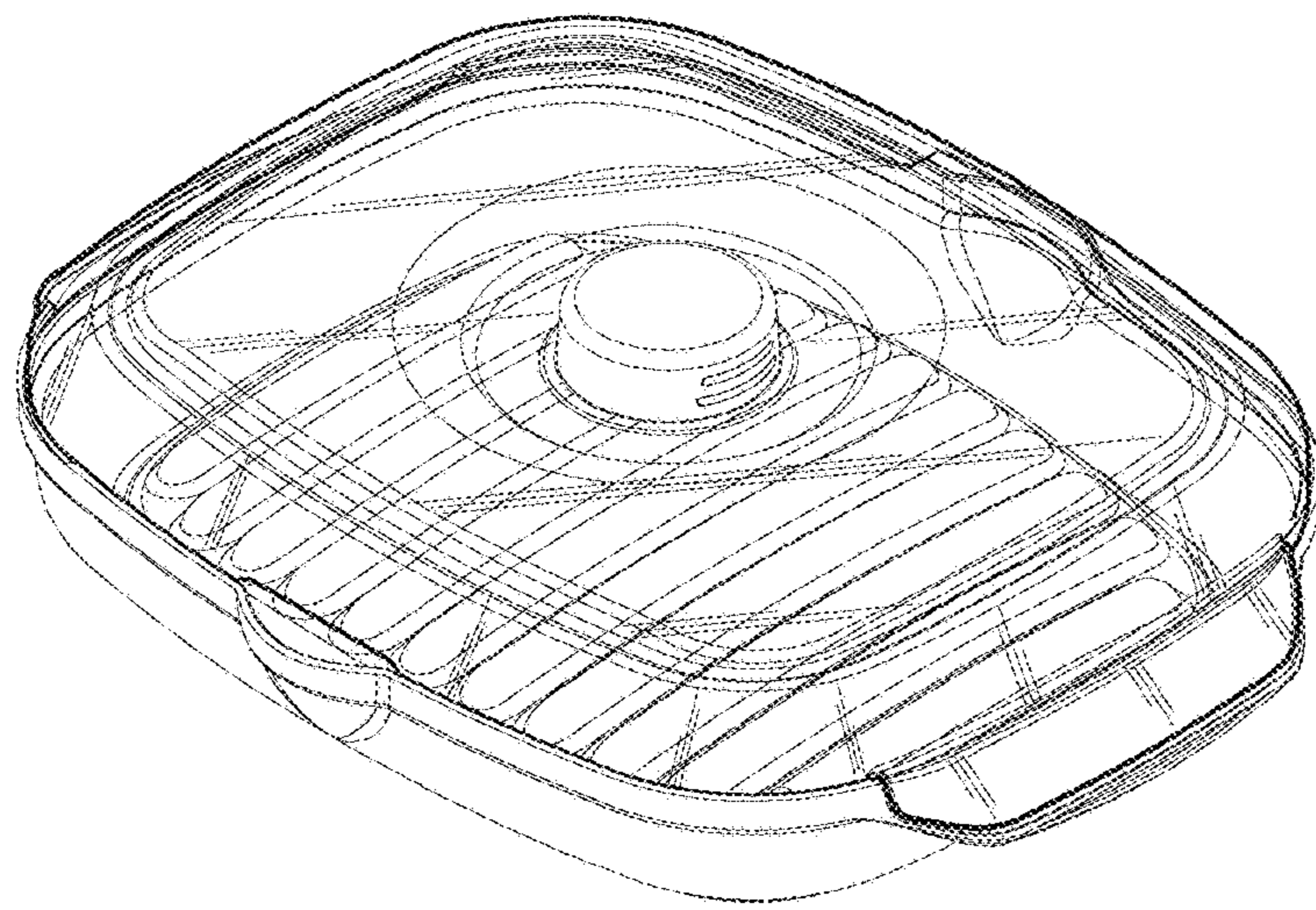


FIG. 1

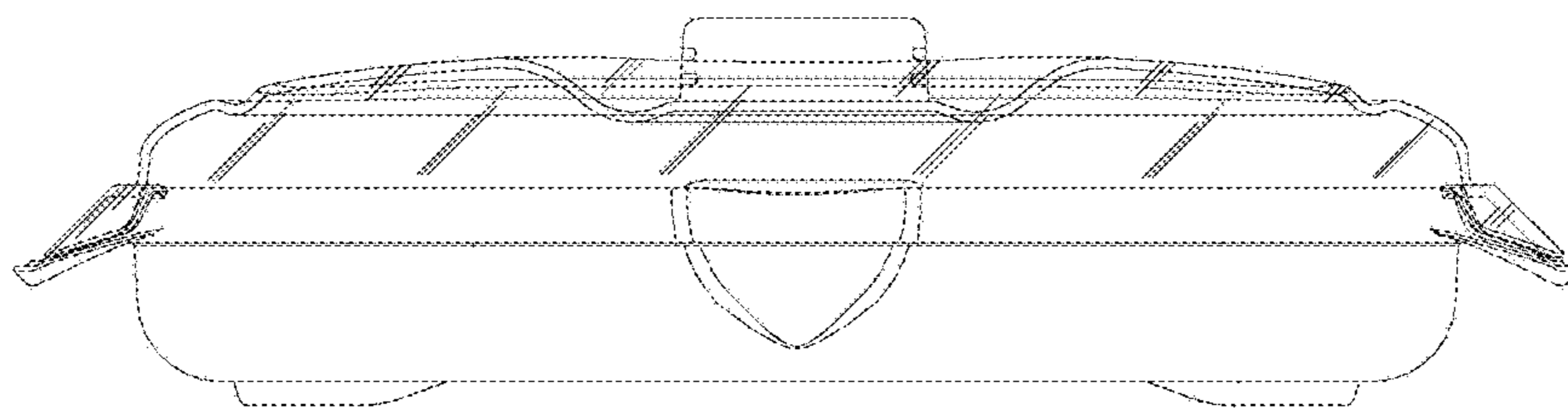


FIG. 2

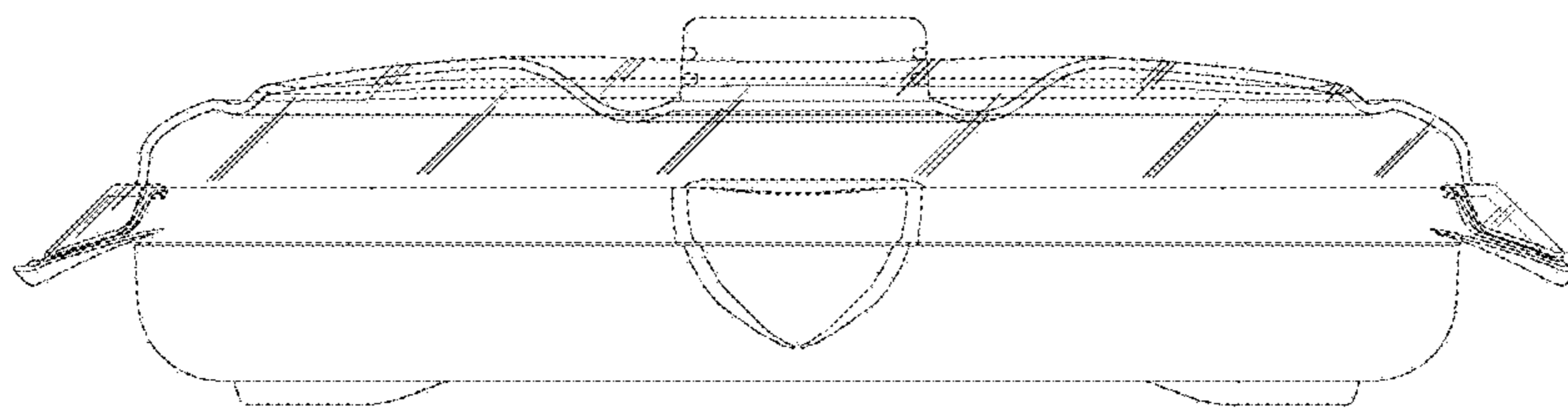


FIG. 3

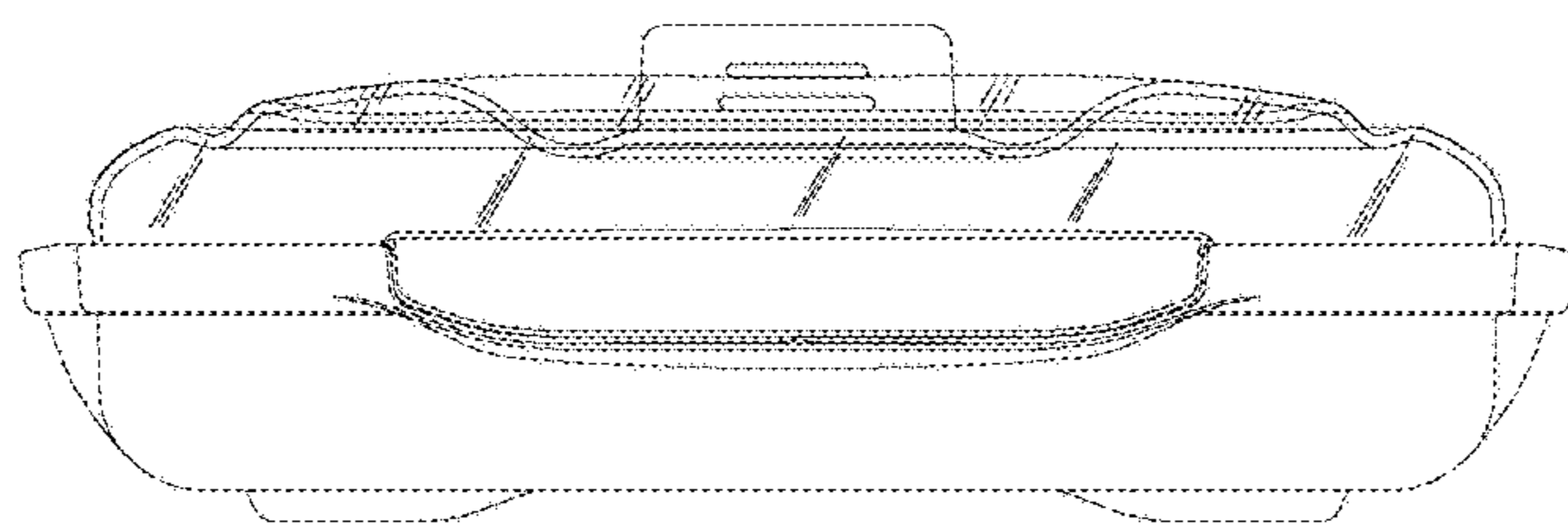


FIG. 4

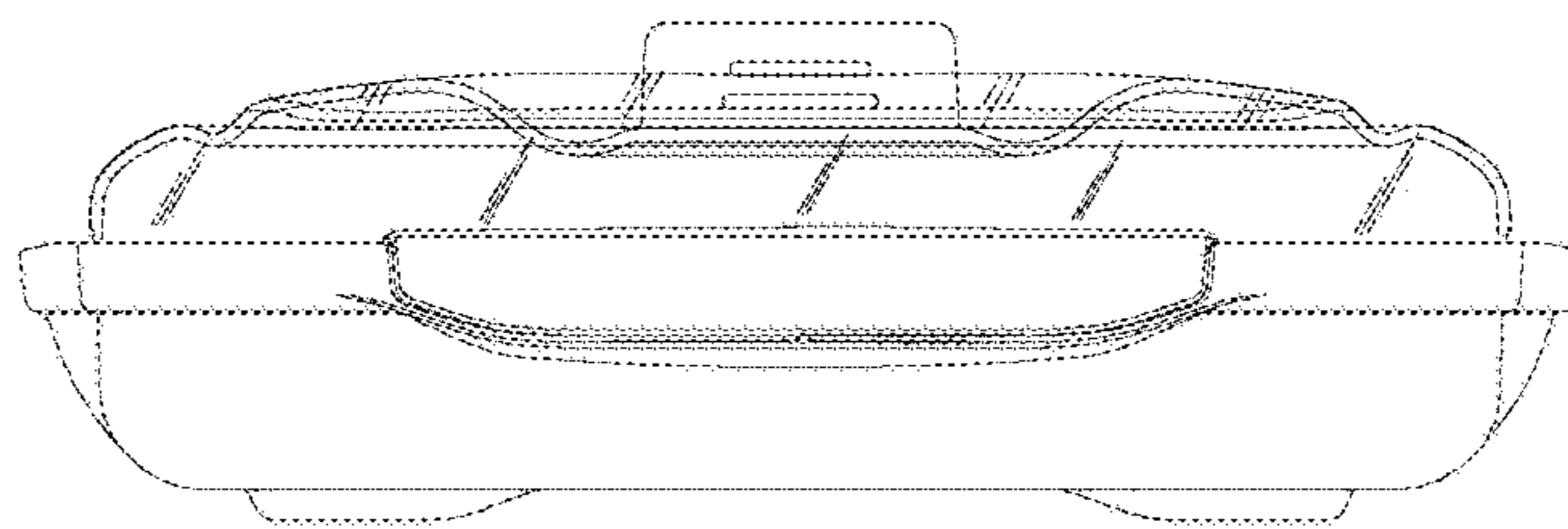


FIG. 5

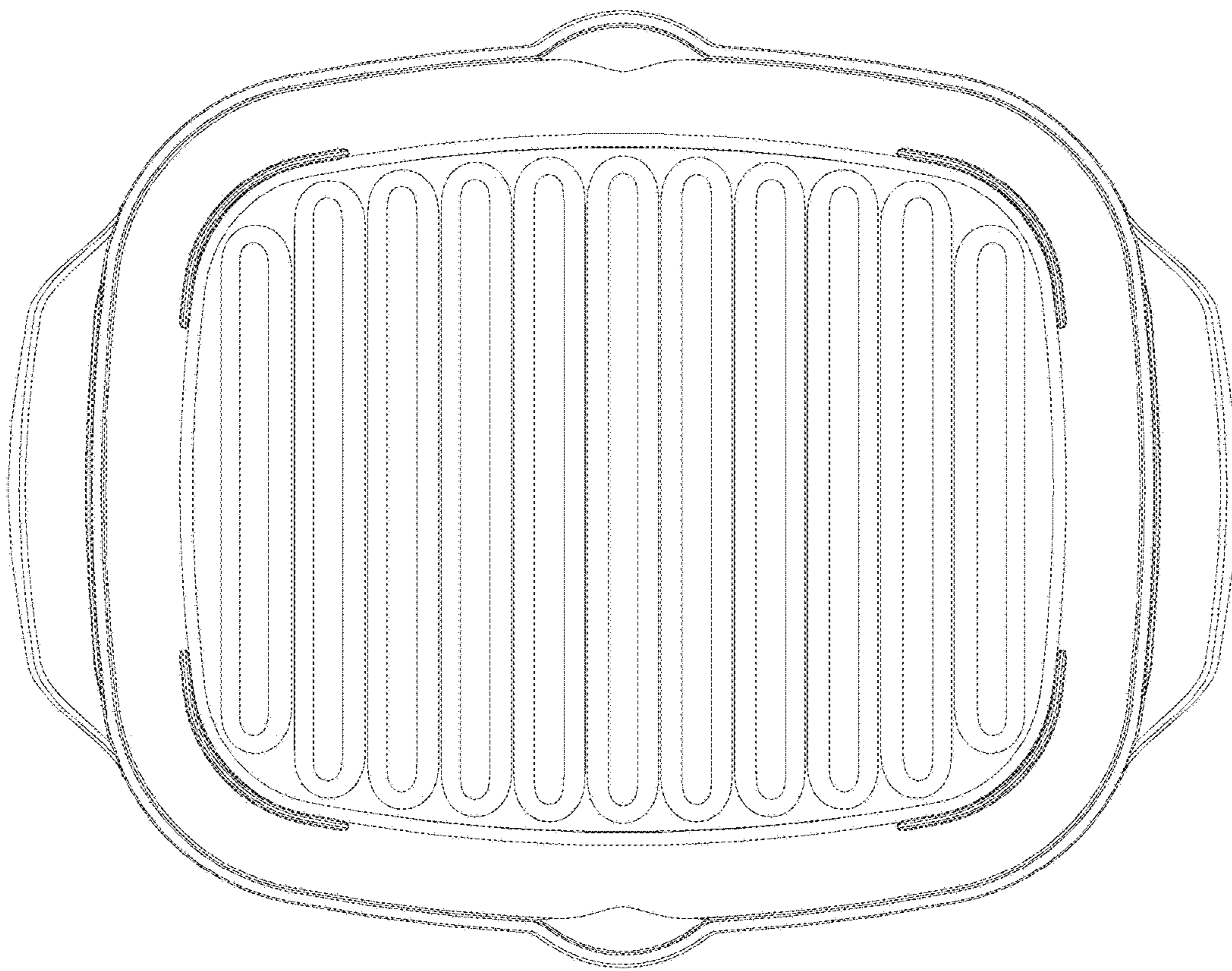


FIG. 6

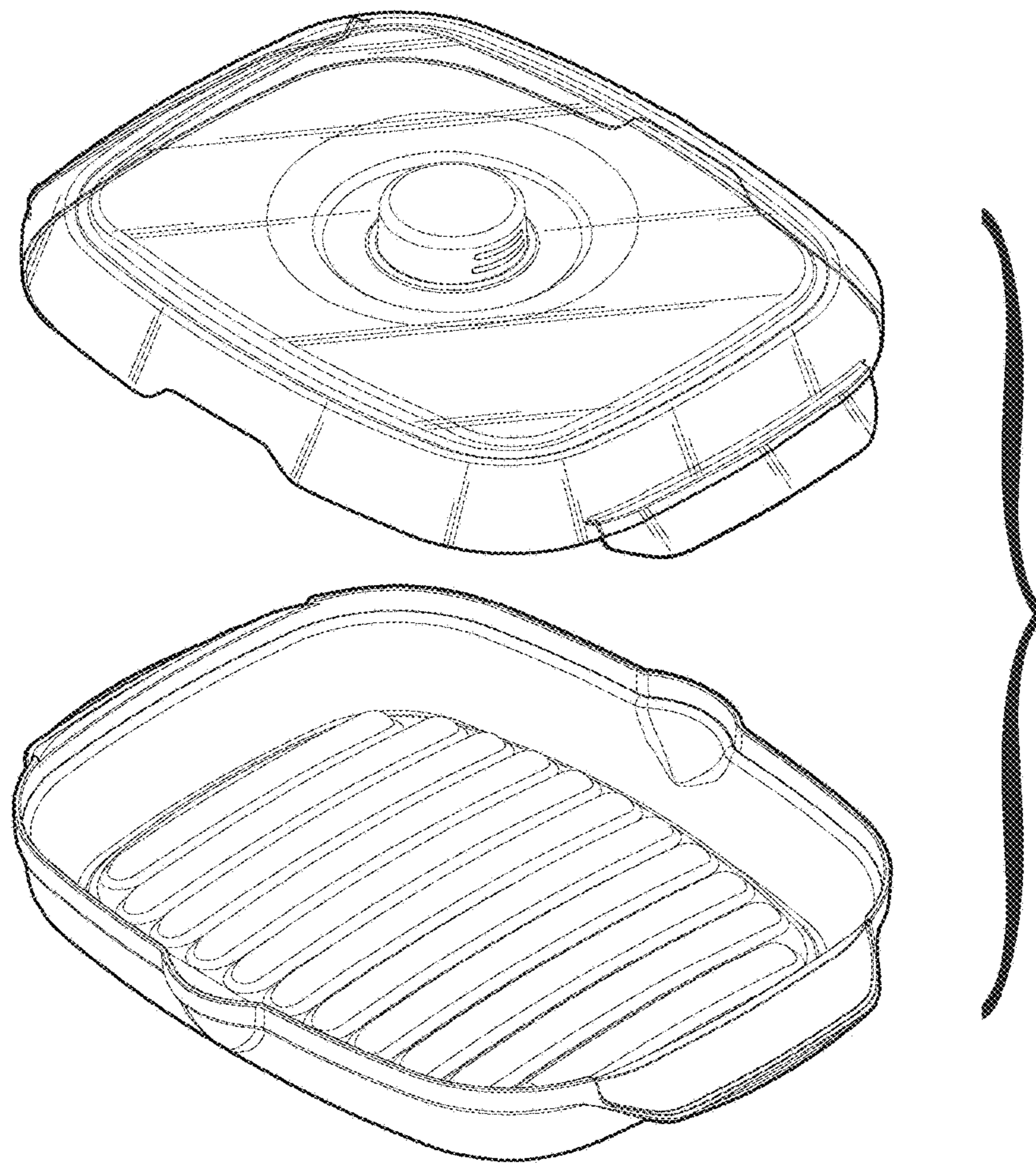


FIG. 7

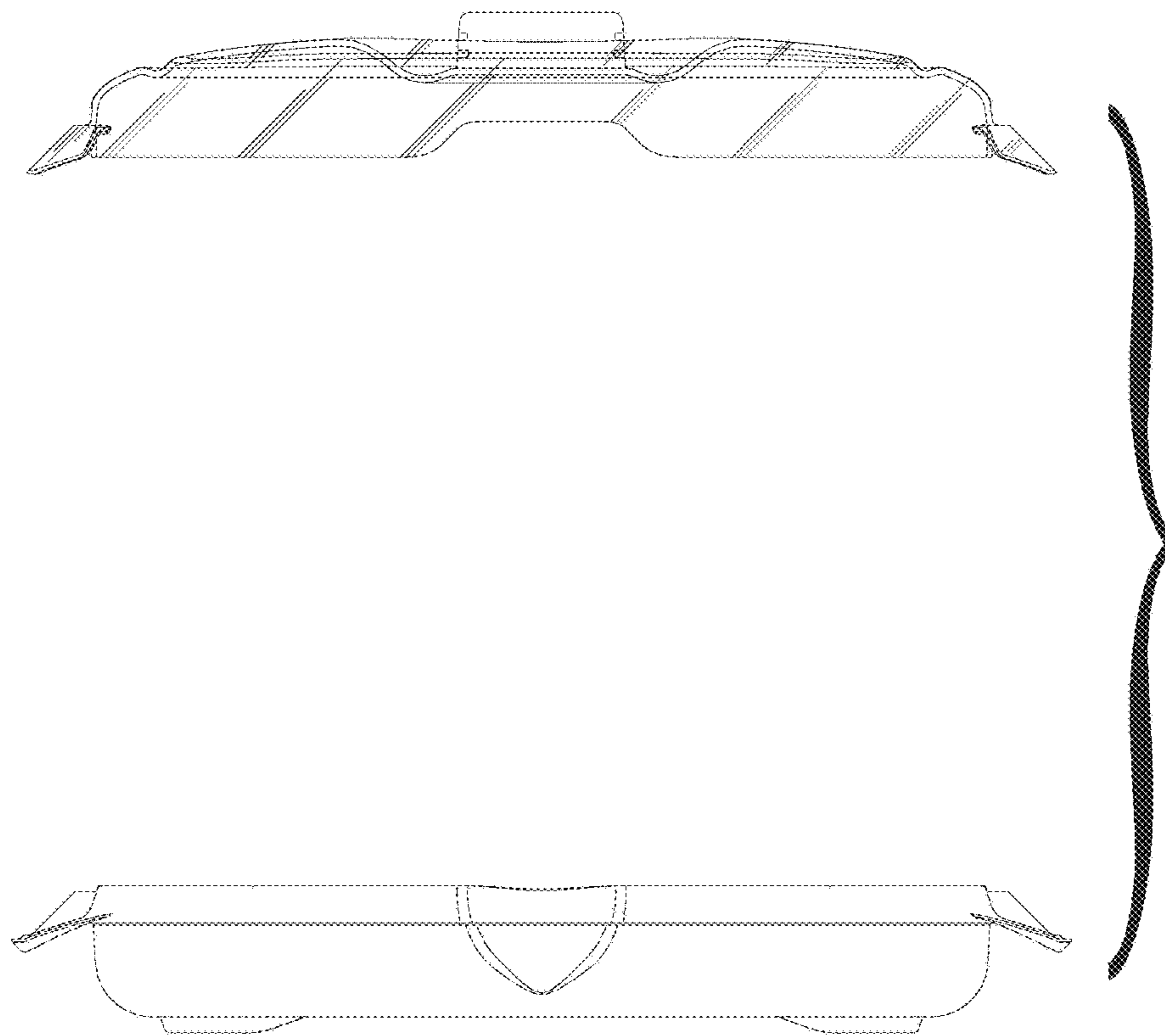


FIG. 8

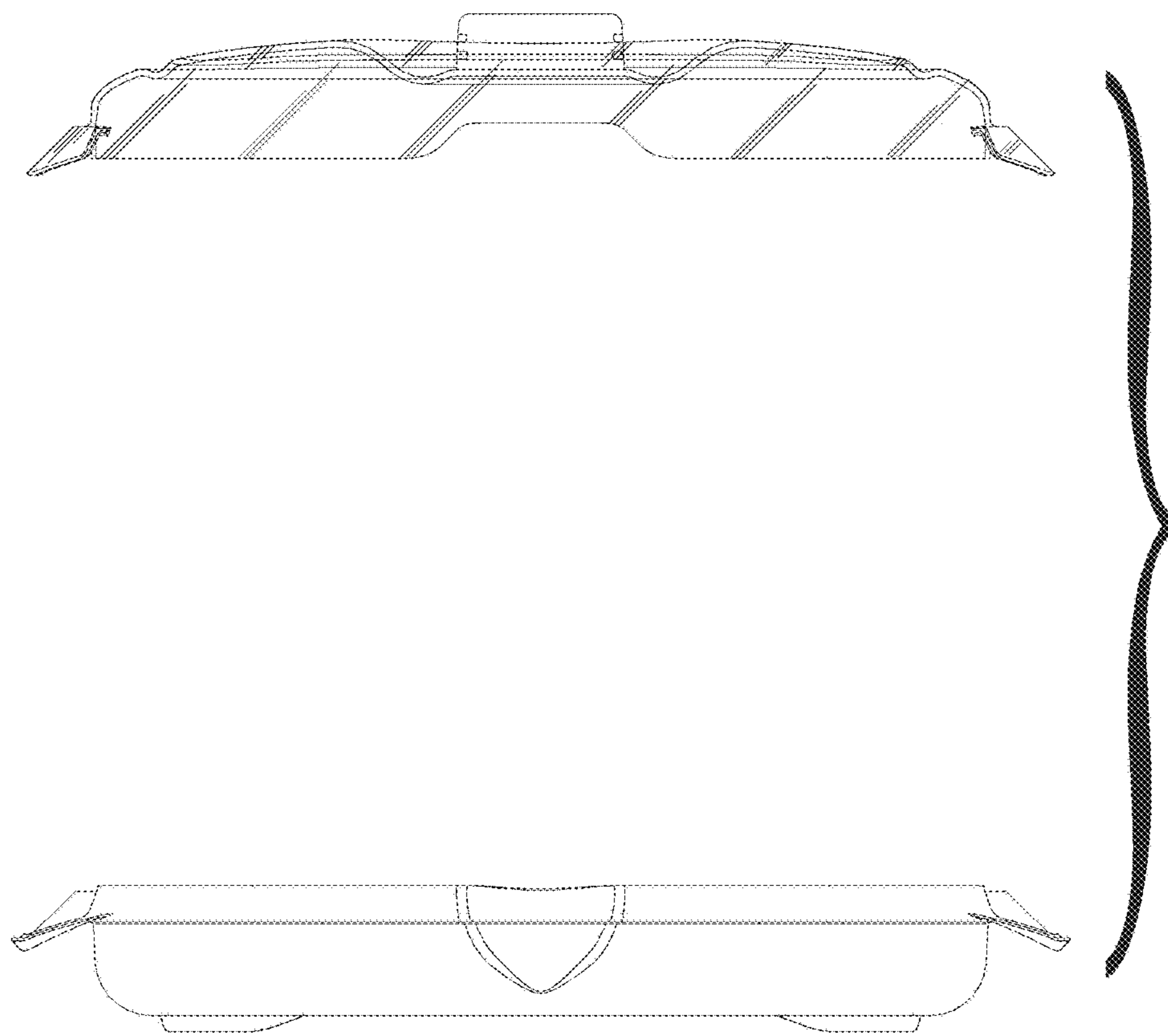


FIG. 9

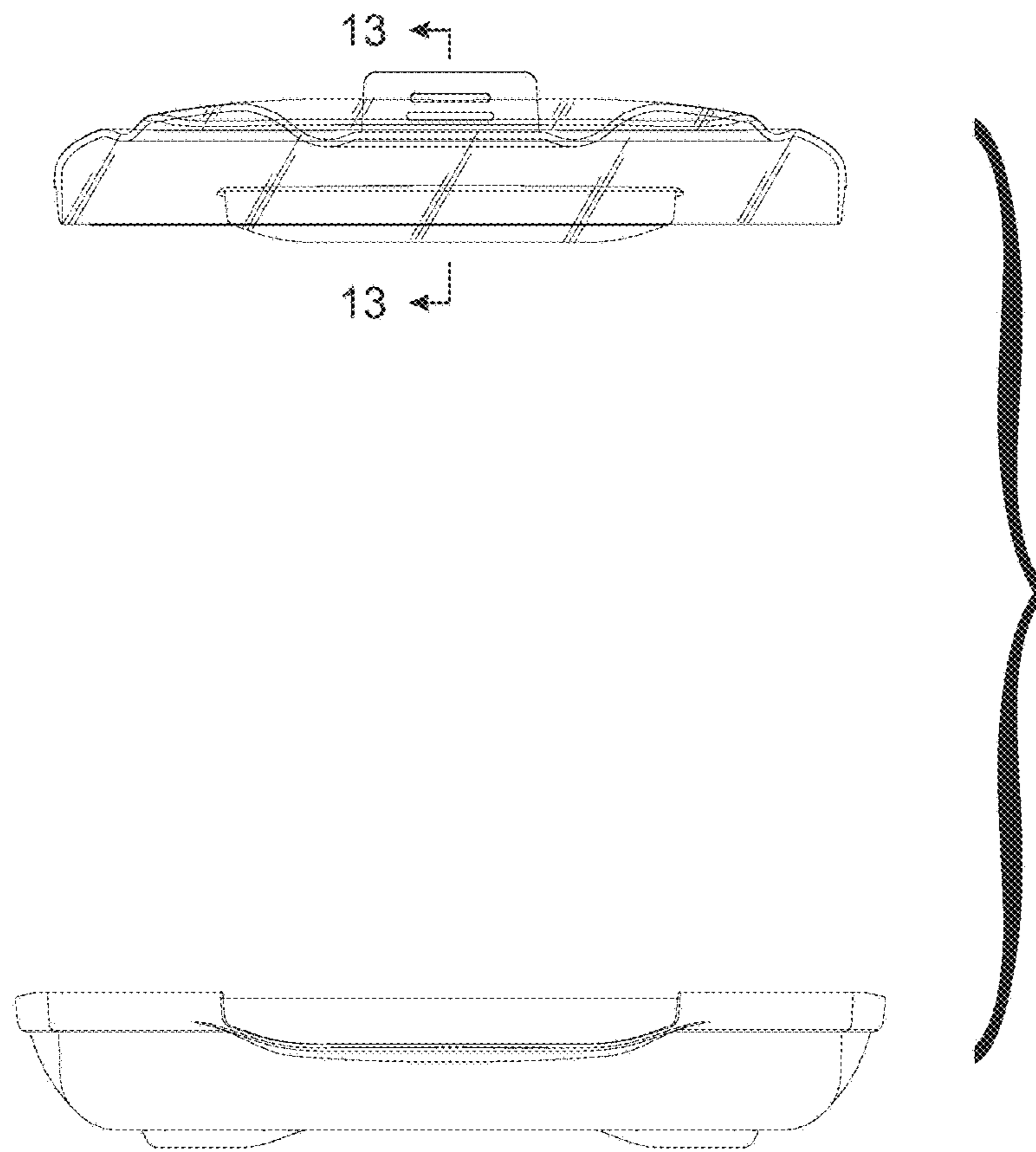


FIG. 10

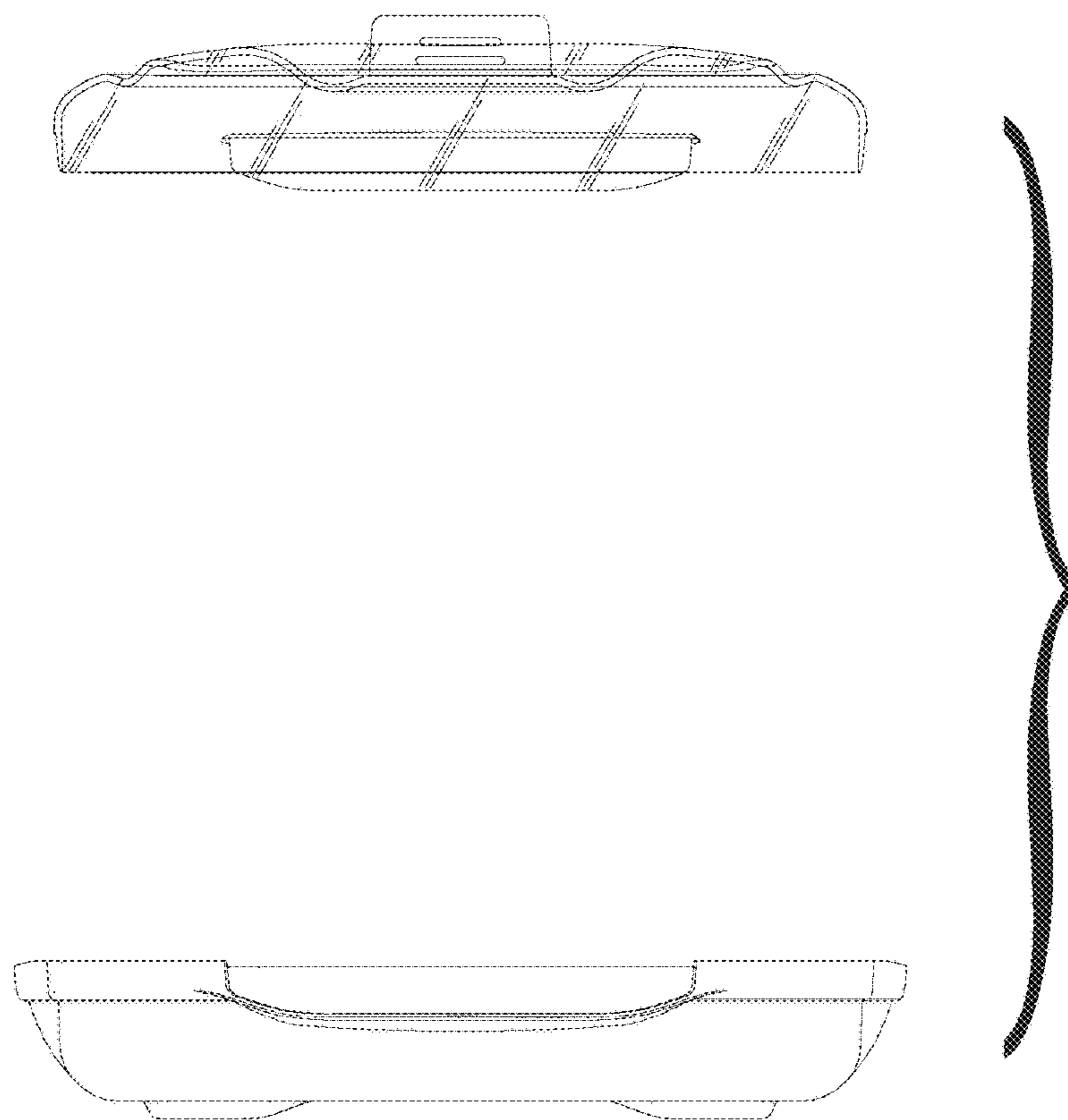


FIG. 11

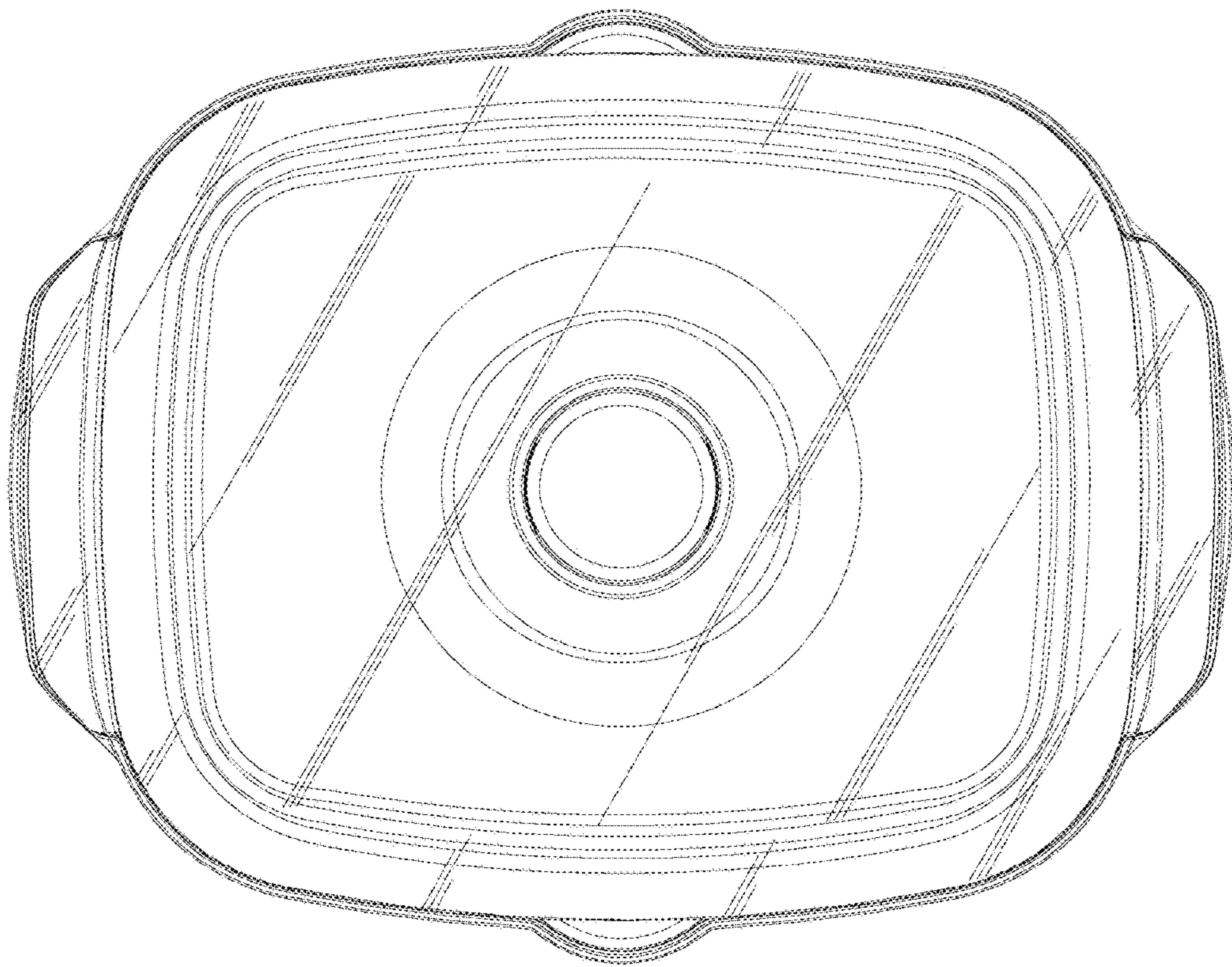


FIG. 12

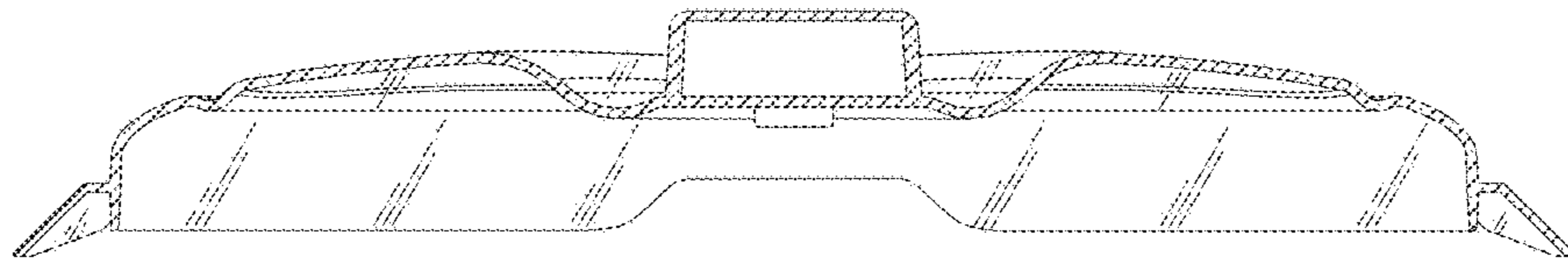


FIG. 13