



US00D864649S

(12) **United States Design Patent**  
**Dash et al.**

(10) **Patent No.:** **US D864,649 S**  
(45) **Date of Patent:** **\*\* Oct. 29, 2019**

(54) **COOKING APPLIANCE**

(71) Applicant: **TSANN KUEN (ZHANGHOU)**  
**ENTERPRISE CO., LTD.**, Fujian  
(CN)

(72) Inventors: **Evan Dash**, New York, NY (US);  
**Wenyu Chang**, Tainan (TW)

(73) Assignee: **TSANN KUEN (ZHANGZHOU)**  
**ENTERPRISE CO., LTD.** (CN)

(\*\*) Term: **15 Years**

(21) Appl. No.: **29/655,725**

(22) Filed: **Jul. 6, 2018**

**Related U.S. Application Data**

(62) Division of application No. 29/591,478, filed on Jan. 20, 2017, now Pat. No. Des. 823,633.

(51) **LOC (12) Cl.** ..... **07-02**

(52) **U.S. Cl.**  
USPC ..... **D7/352**

(58) **Field of Classification Search**  
USPC ..... D7/323, 328-330, 337, 347, 352-364,  
D7/367, 402, 409-411  
CPC . A21B 5/023; A47J 27/60; A47J 27/62; A47J  
37/04; A47J 37/06; A47J 37/067; A47J  
37/0605; A47J 37/0611; A47J 37/0623;  
A47J 37/0629; A47J 37/0676; A47J  
2037/06; A47J 2037/0611; F24C 15/10;  
F24C 15/102; H05B 6/02; H05B 6/062  
See application file for complete search history.

(56) **References Cited**

**U.S. PATENT DOCUMENTS**

D405,312 S \* 2/1999 Hoare ..... A47J 37/0611  
D7/352  
D407,598 S 4/1999 Deni

D409,876 S 5/1999 Gruaz  
D424,365 S \* 5/2000 To ..... D7/352  
D430,453 S 9/2000 Lin  
D445,630 S \* 7/2001 Hsu ..... D7/352  
D446,679 S 8/2001 Lin  
D450,977 S 11/2001 Lin  
D453,658 S 2/2002 Brady  
D473,417 S 4/2003 Martres  
D509,704 S 9/2005 To  
D522,798 S 6/2006 Wilgus  
7,064,298 B2 \* 6/2006 Li ..... A47J 37/0611  
219/450.1  
D532,642 S 11/2006 Wilgus

(Continued)

*Primary Examiner* — Ricky Pham

(74) *Attorney, Agent, or Firm* — The Belles Group, P.C.

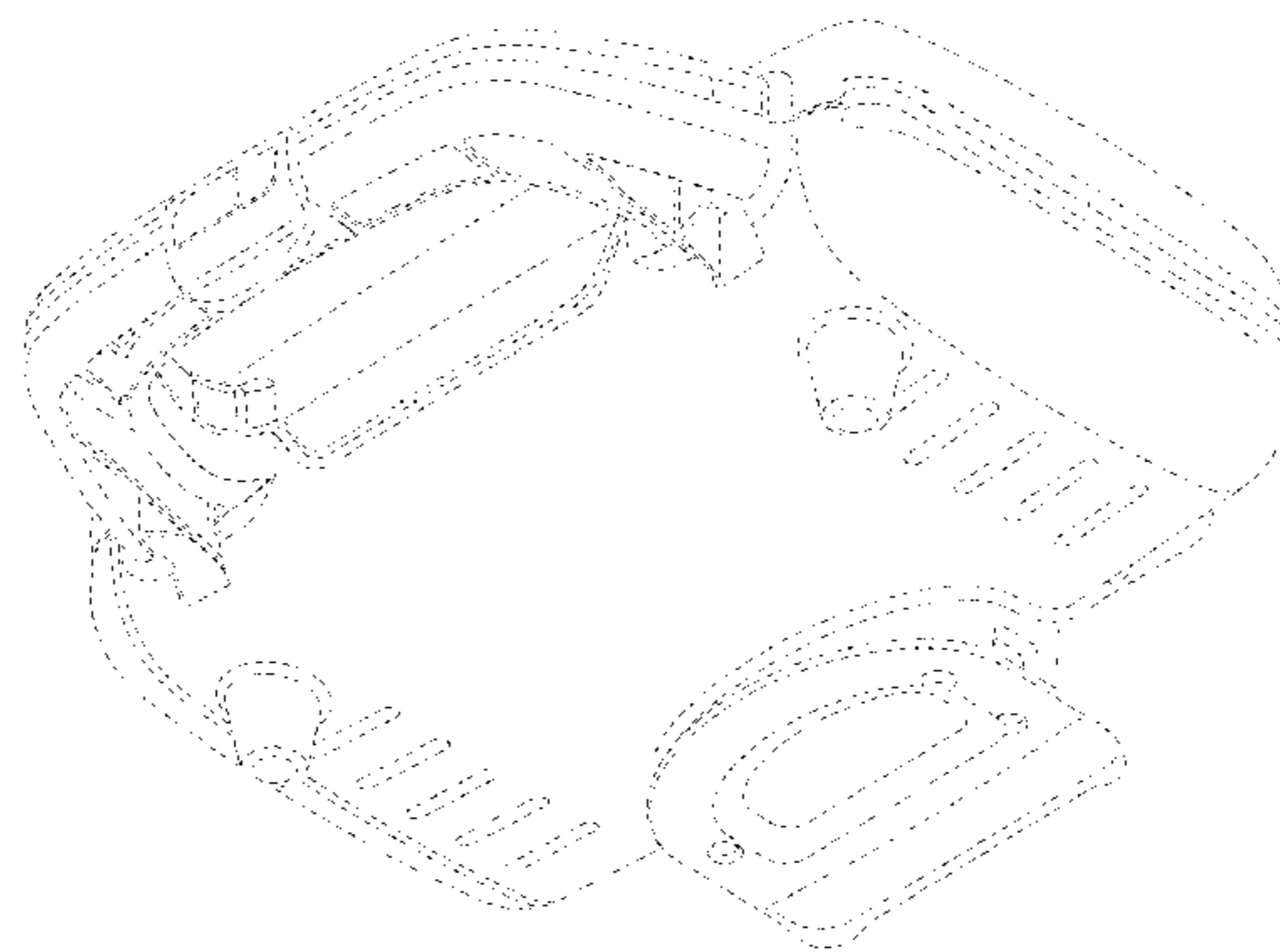
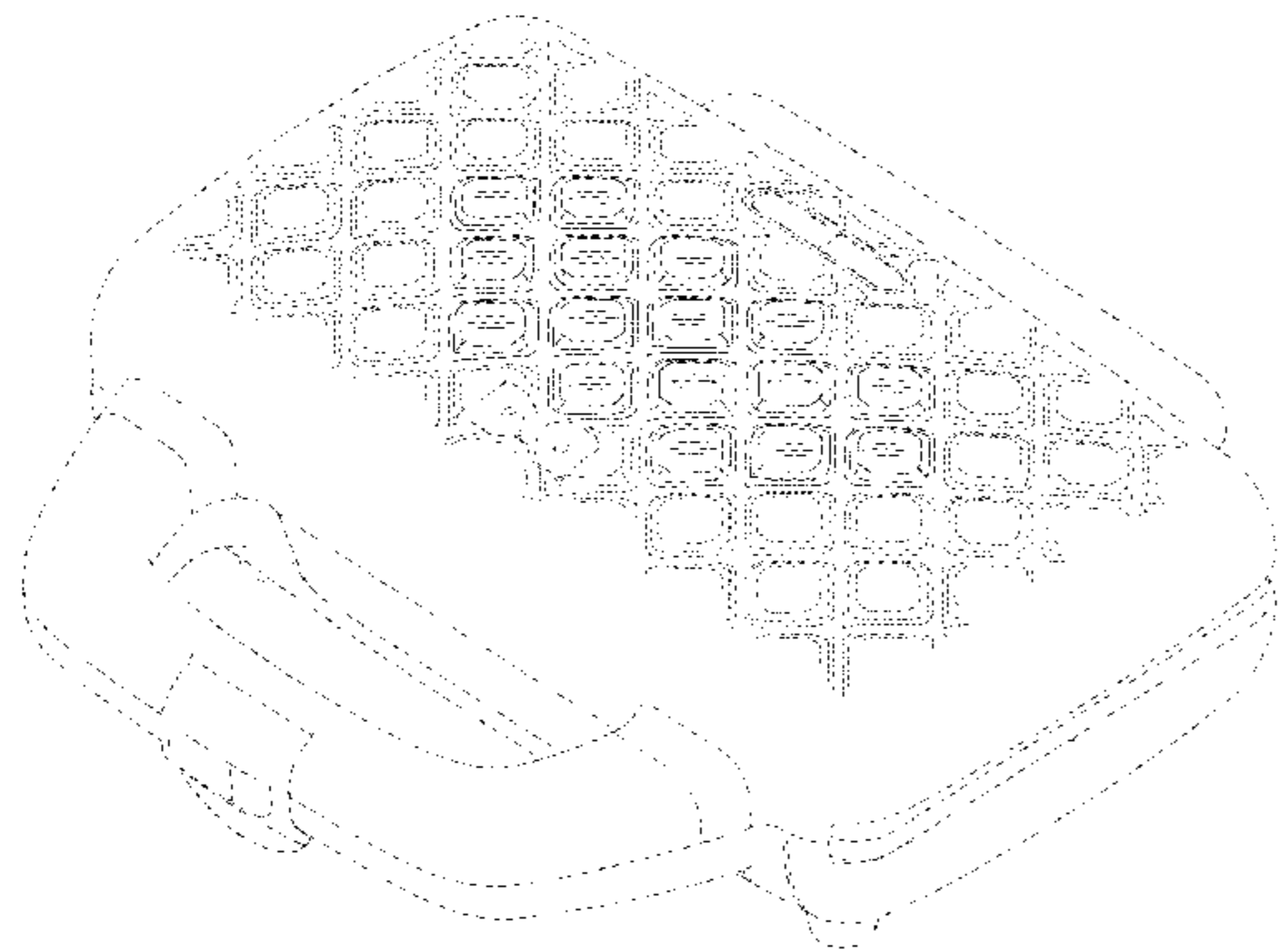
(57) **CLAIM**

We claim the ornamental design for a cooking appliance, as shown and described.

**DESCRIPTION**

FIG. 1 is a front top right perspective view of a cooking appliance in accordance with the present invention; FIG. 2 is a front top left perspective view thereof; FIG. 3 is a rear top left perspective view thereof; FIG. 4 is a rear top right perspective view thereof; FIG. 5 is a front bottom right perspective view thereof; FIG. 6 is a front bottom left perspective view thereof; FIG. 7 is a rear bottom left perspective view thereof; FIG. 8 is a rear bottom right perspective view thereof; FIG. 9 is a top plan view thereof; FIG. 10 is a bottom plan view thereof; FIG. 11 is a front elevation view thereof; FIG. 12 is a rear elevation view thereof; FIG. 13 is a left-side elevation view thereof; and, FIG. 14 is a right-side elevation view thereof. The broken lines in the drawings illustrate portions of the cooking appliance that form no part of the claimed design.

**1 Claim, 14 Drawing Sheets**



(56)

**References Cited**

U.S. PATENT DOCUMENTS

D533,392	S	12/2006	Yeung	
D550,025	S *	9/2007	Chao .....	D7/352
D657,609	S *	4/2012	Lavy .....	A47J 37/0611
				D7/352
D657,991	S *	4/2012	Kennedy .....	D7/352
D670,956	S	11/2012	Kokenis	
D689,323	S	9/2013	Endres	
D750,416	S *	3/2016	Meraz .....	D7/352
D802,985	S *	11/2017	Jozancy .....	D7/352
D823,633	S *	7/2018	Dash .....	D7/352
2006/0272511	A1 *	12/2006	Dreimann .....	A47J 37/0611
				99/372

\* cited by examiner

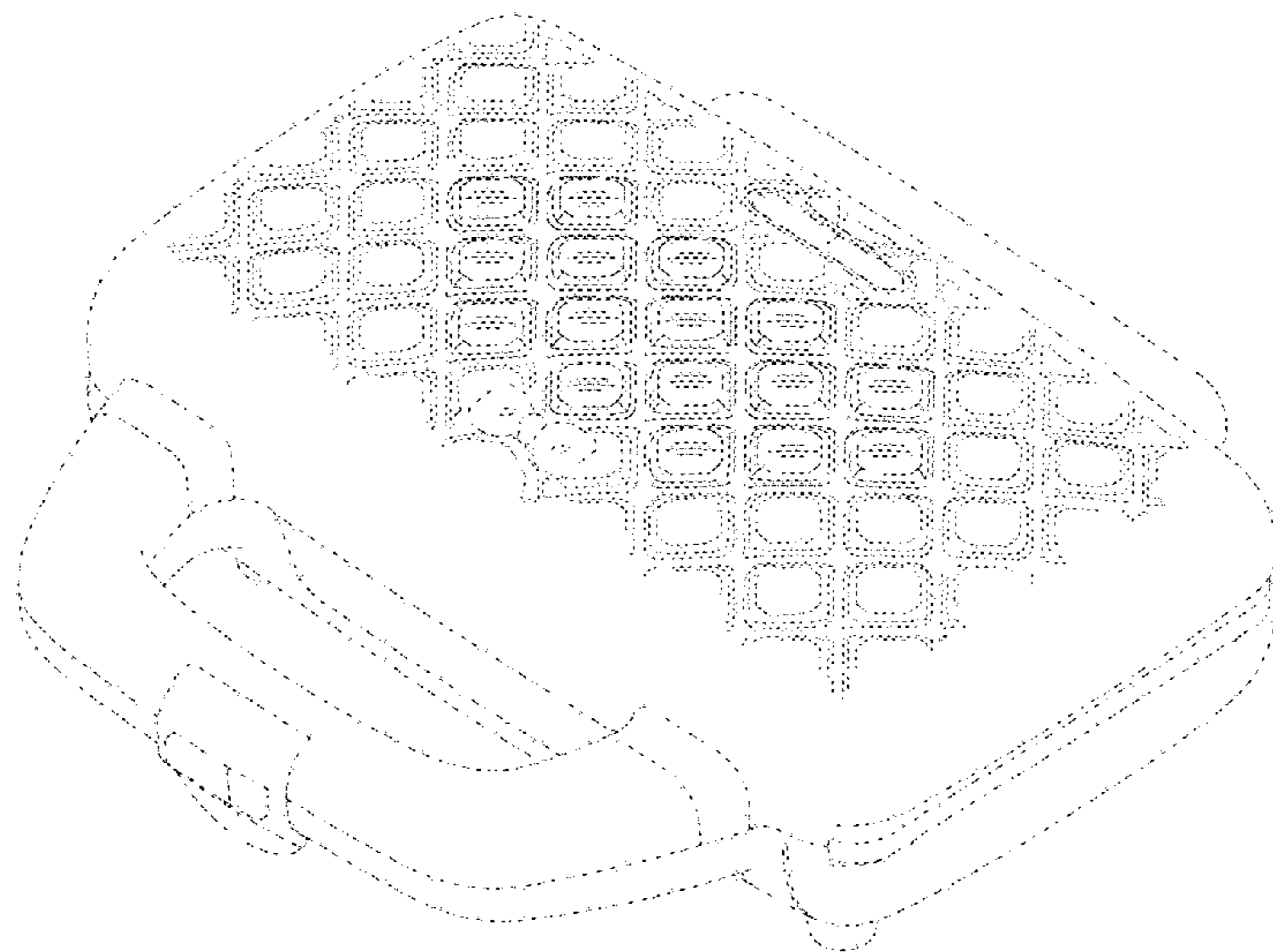


FIG. 1

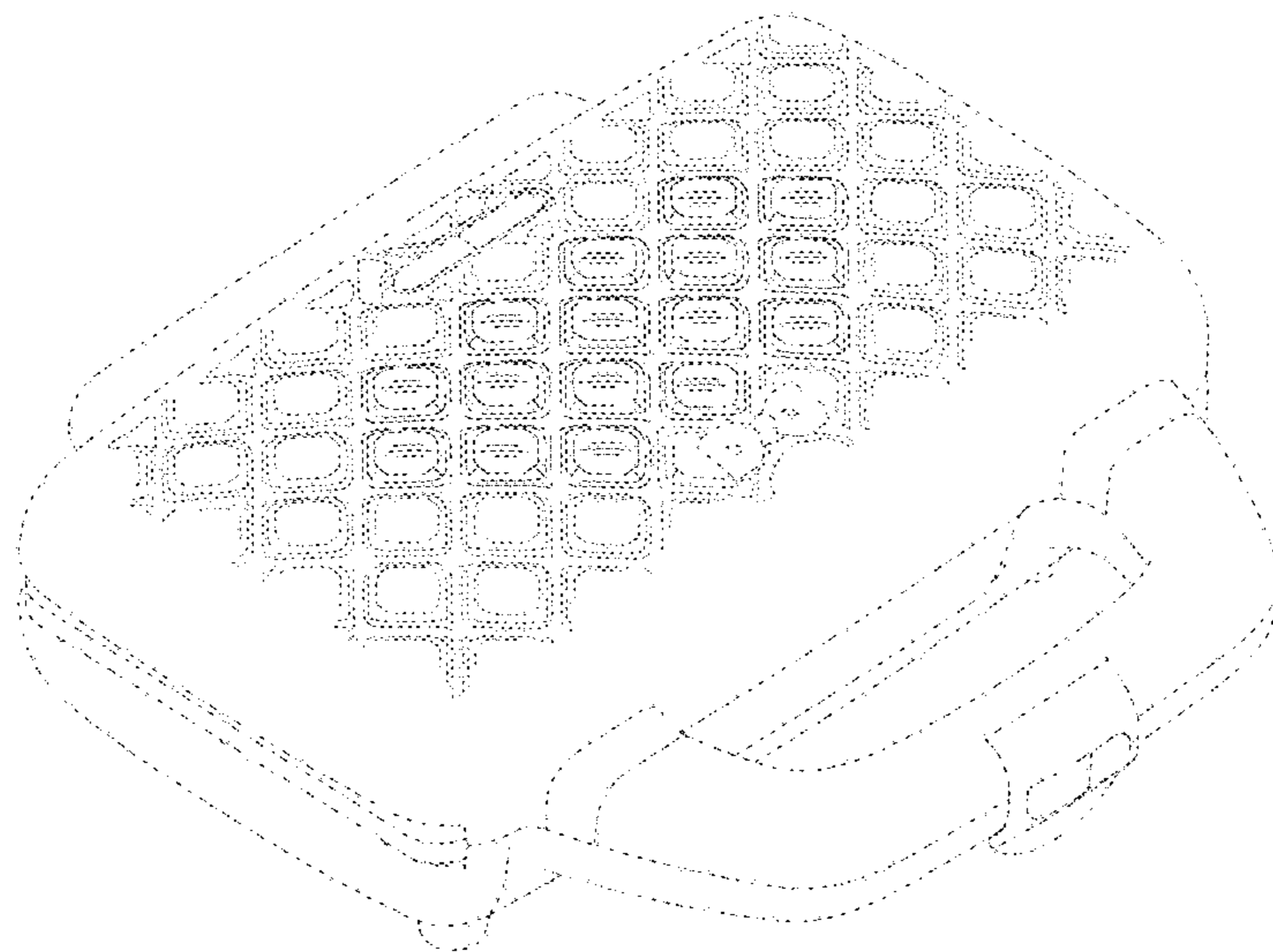


FIG. 2

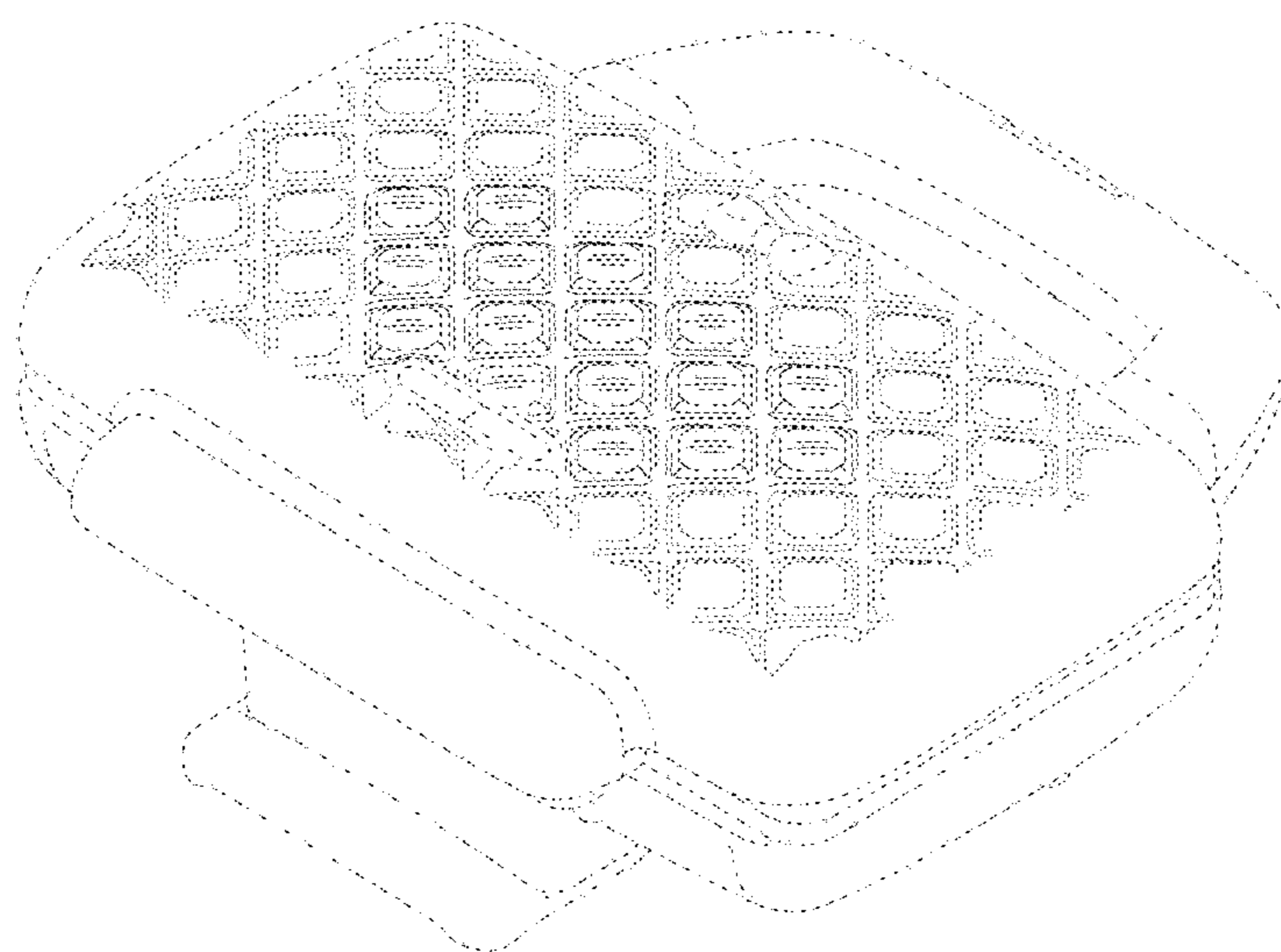


FIG. 3

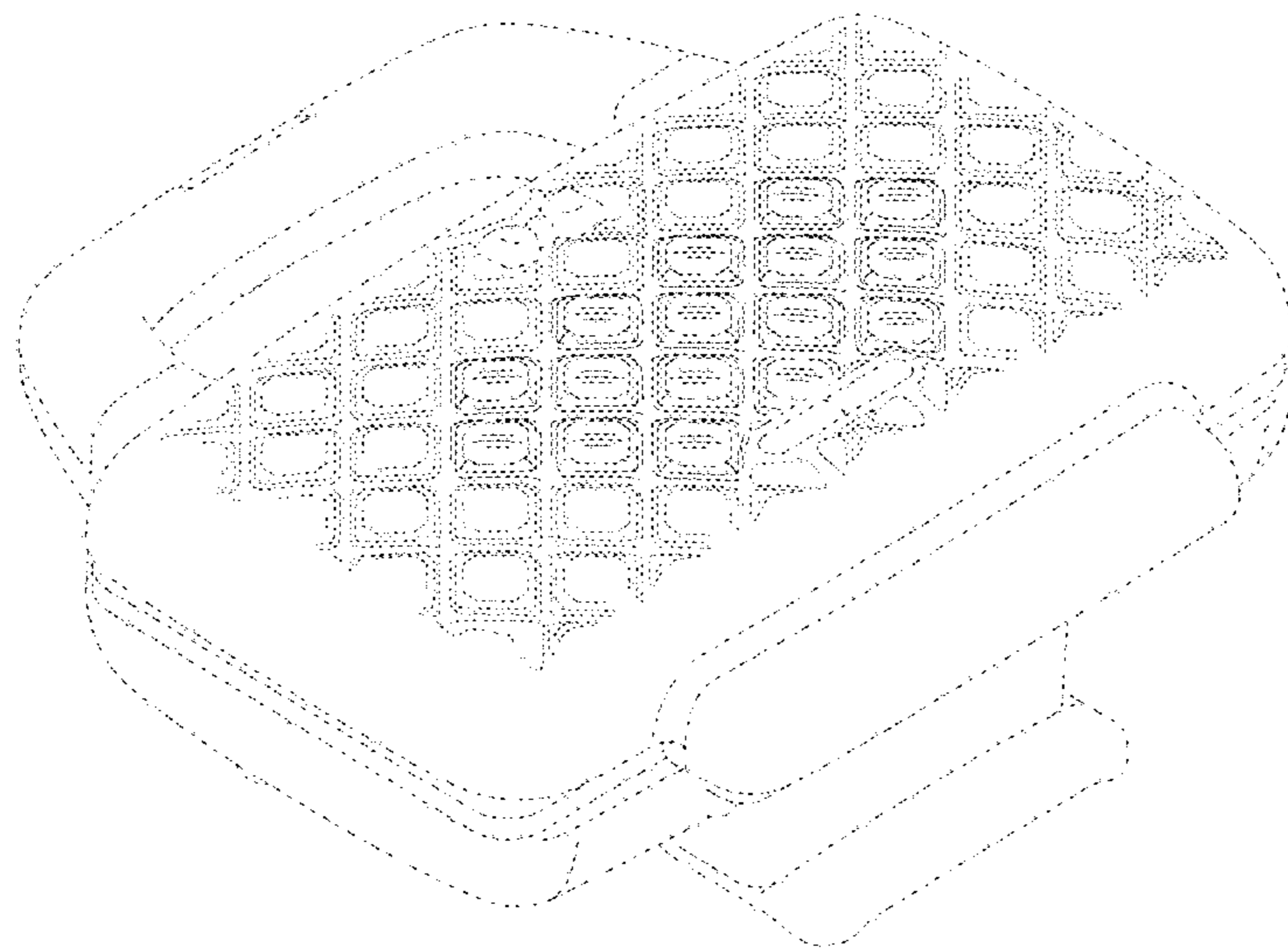


FIG. 4



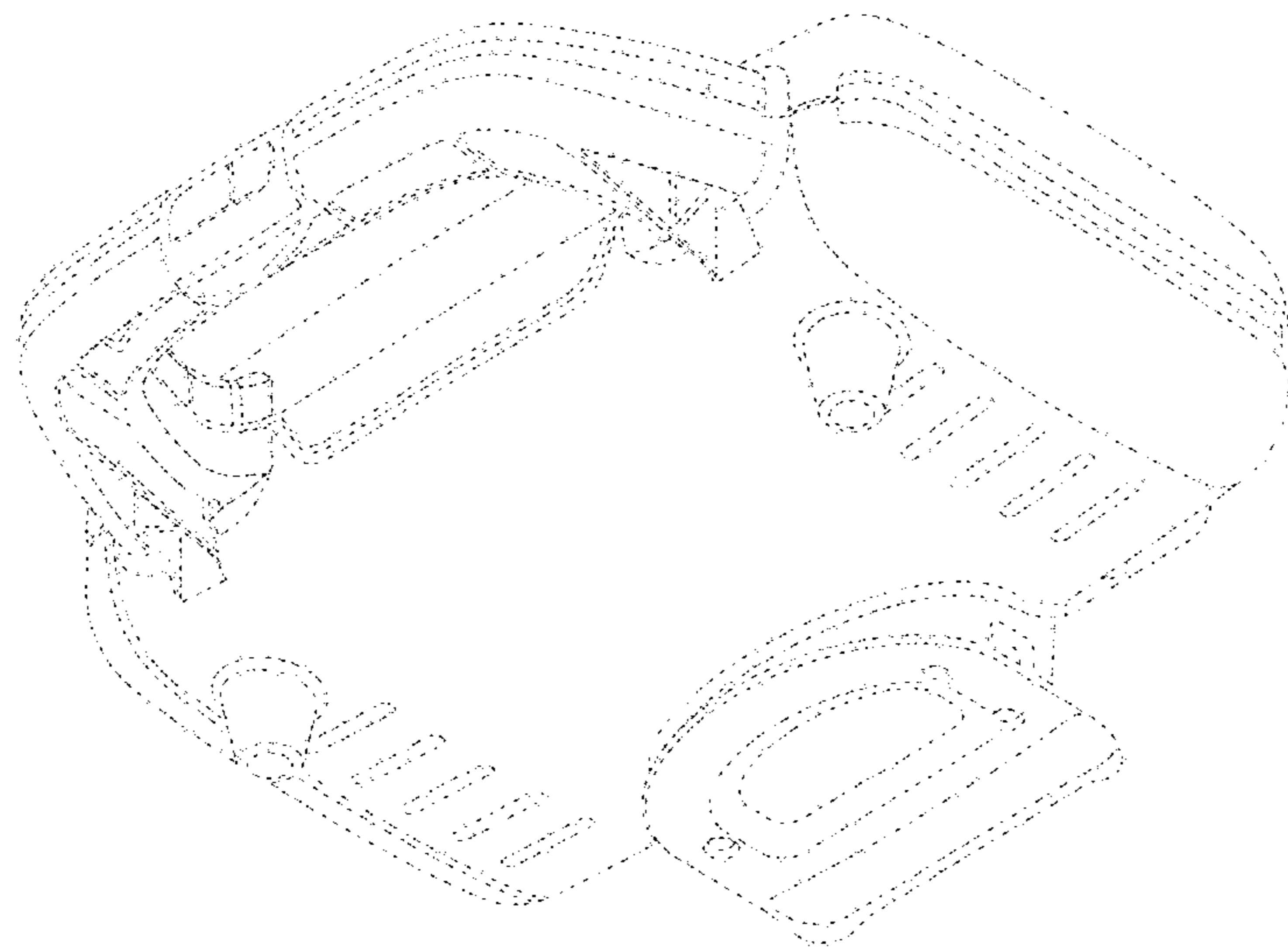


FIG. 5

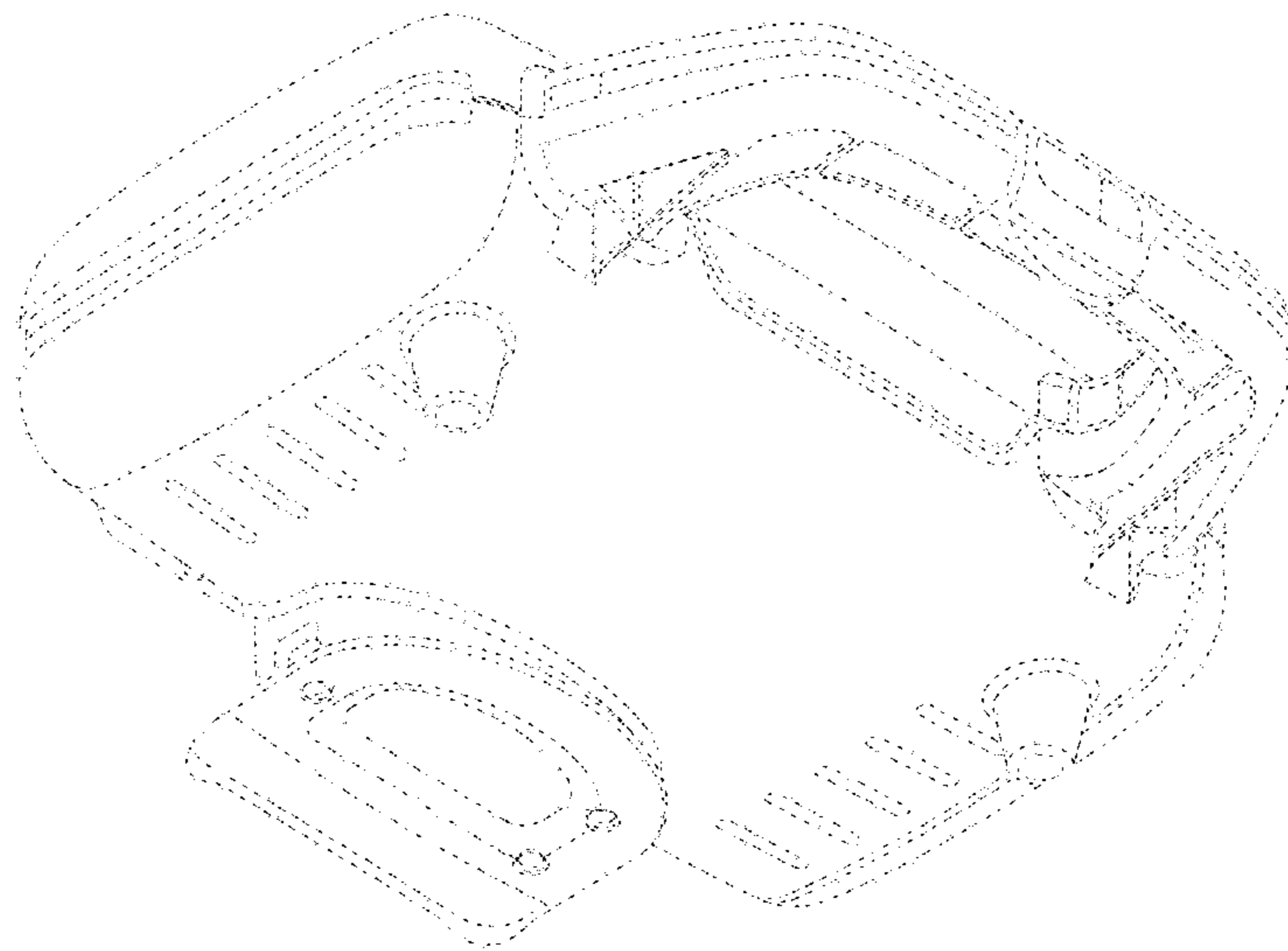


FIG. 6



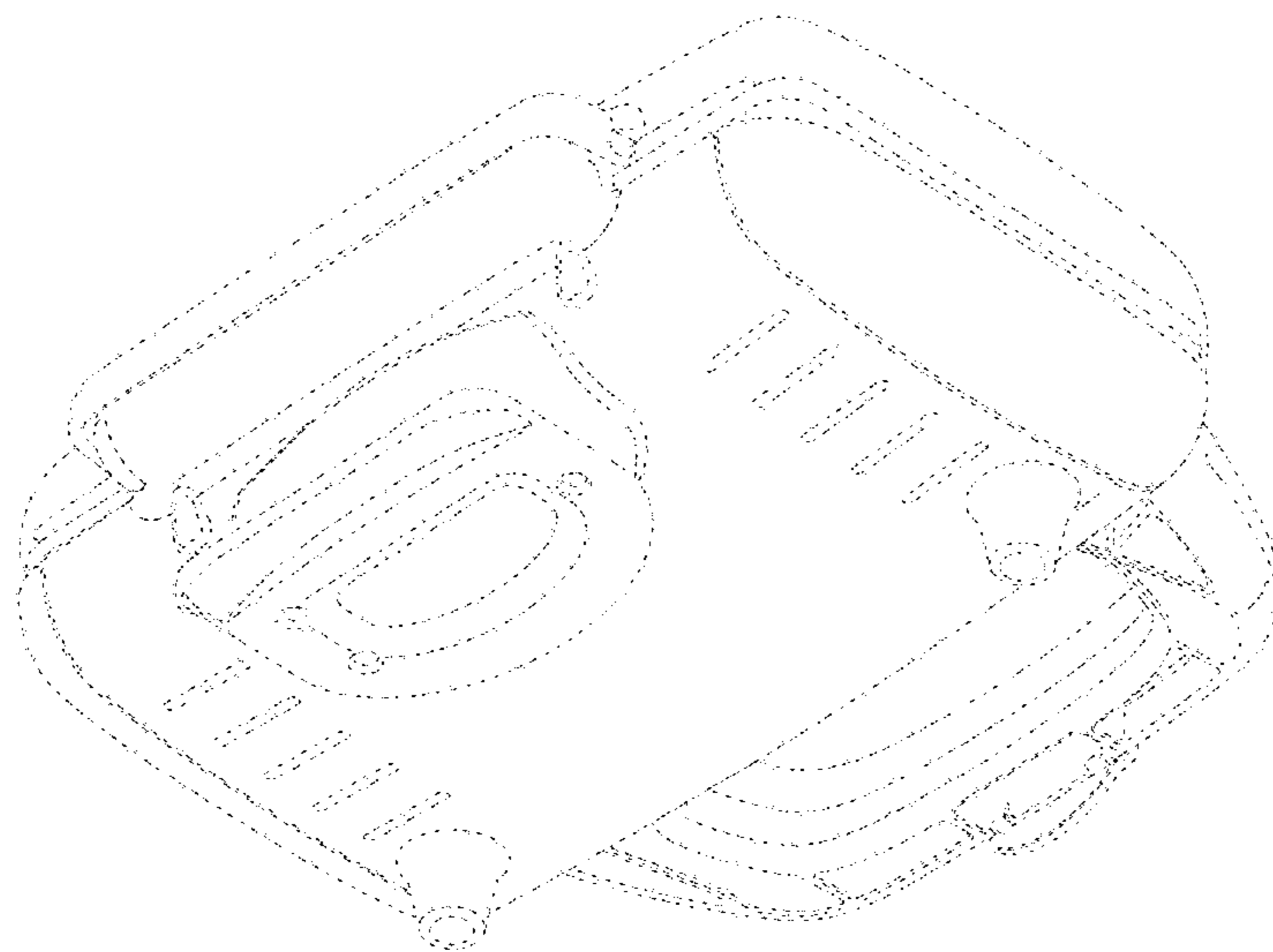


FIG. 7

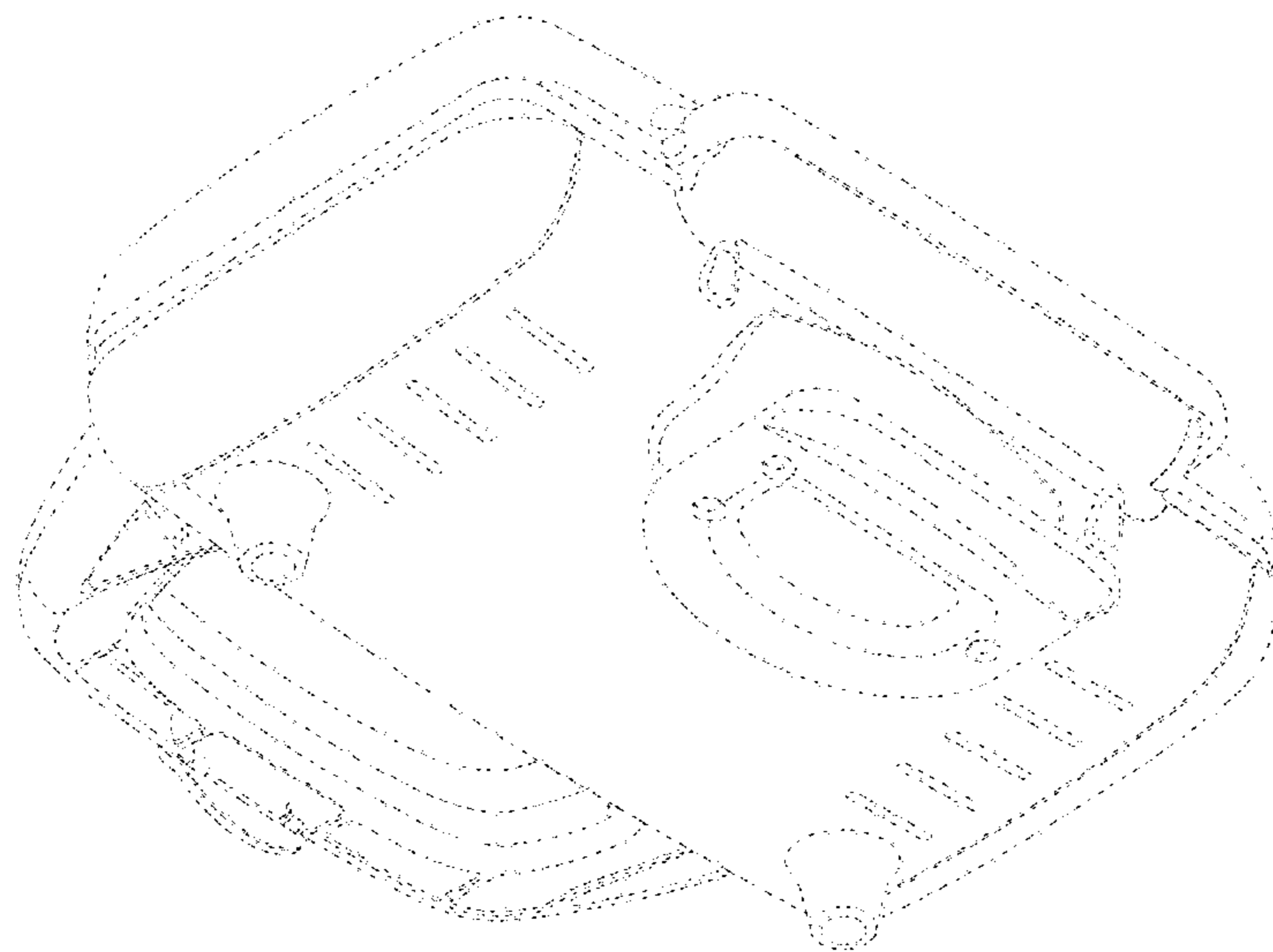


FIG. 8

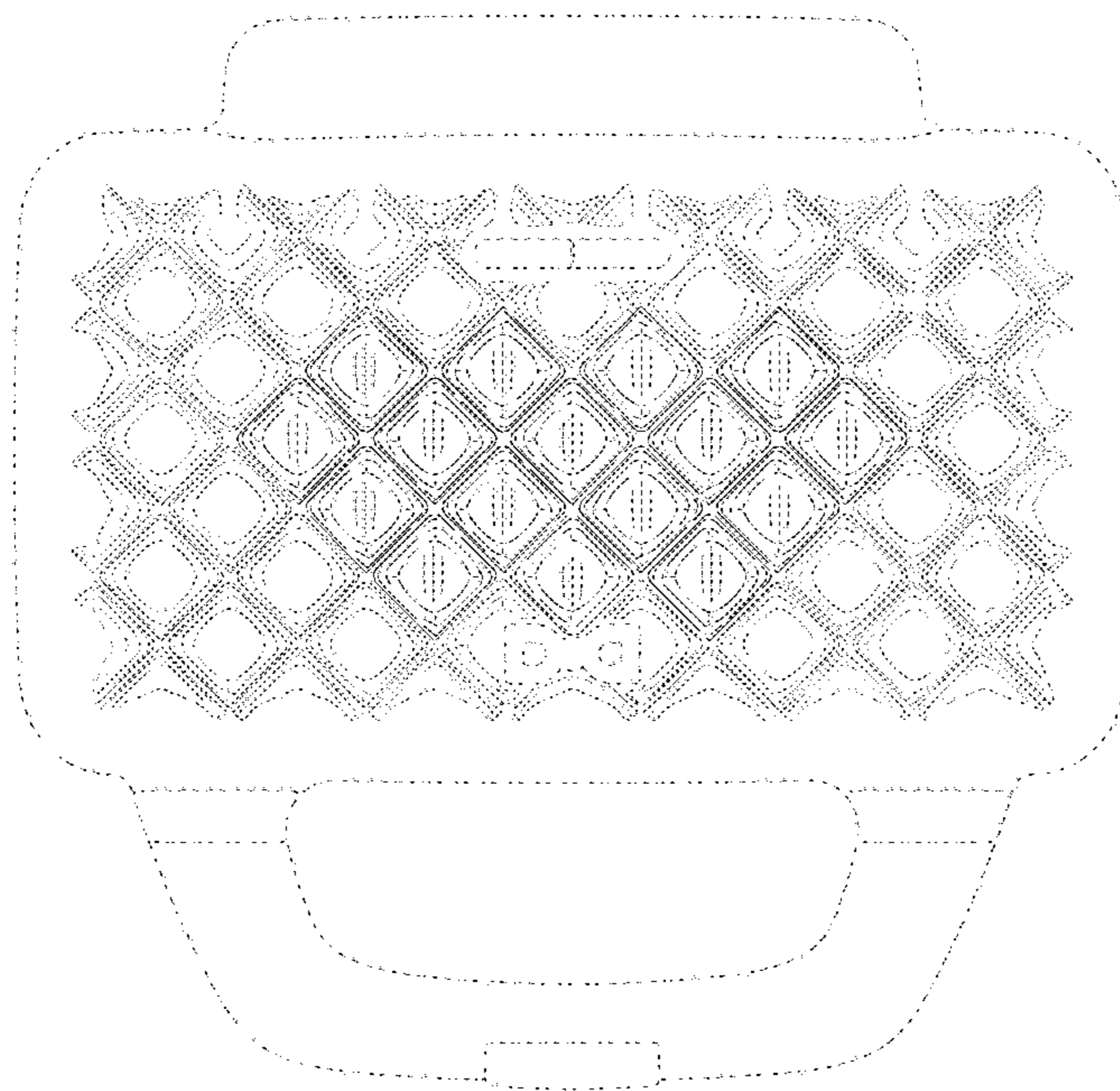


FIG. 9

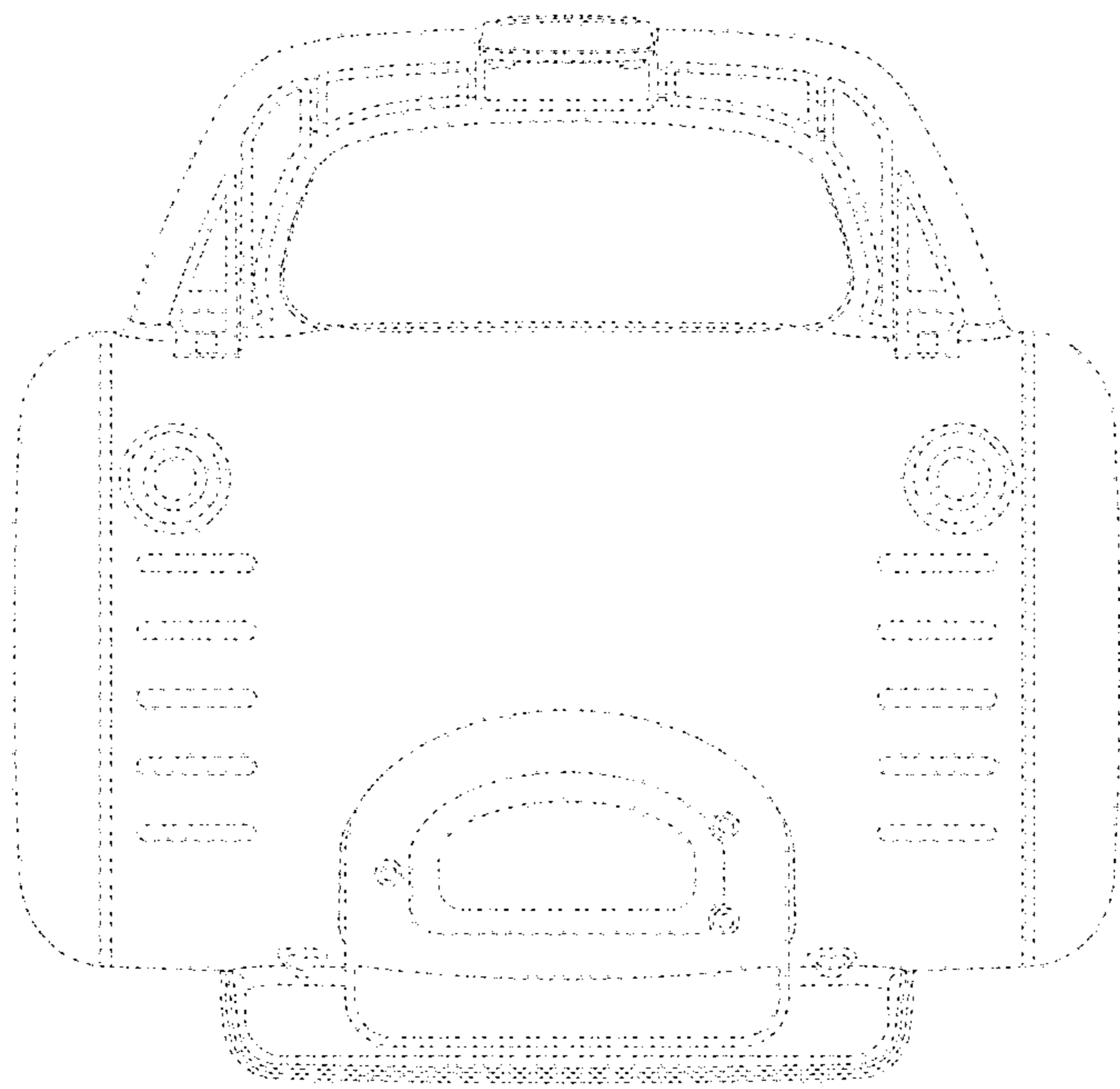


FIG. 10

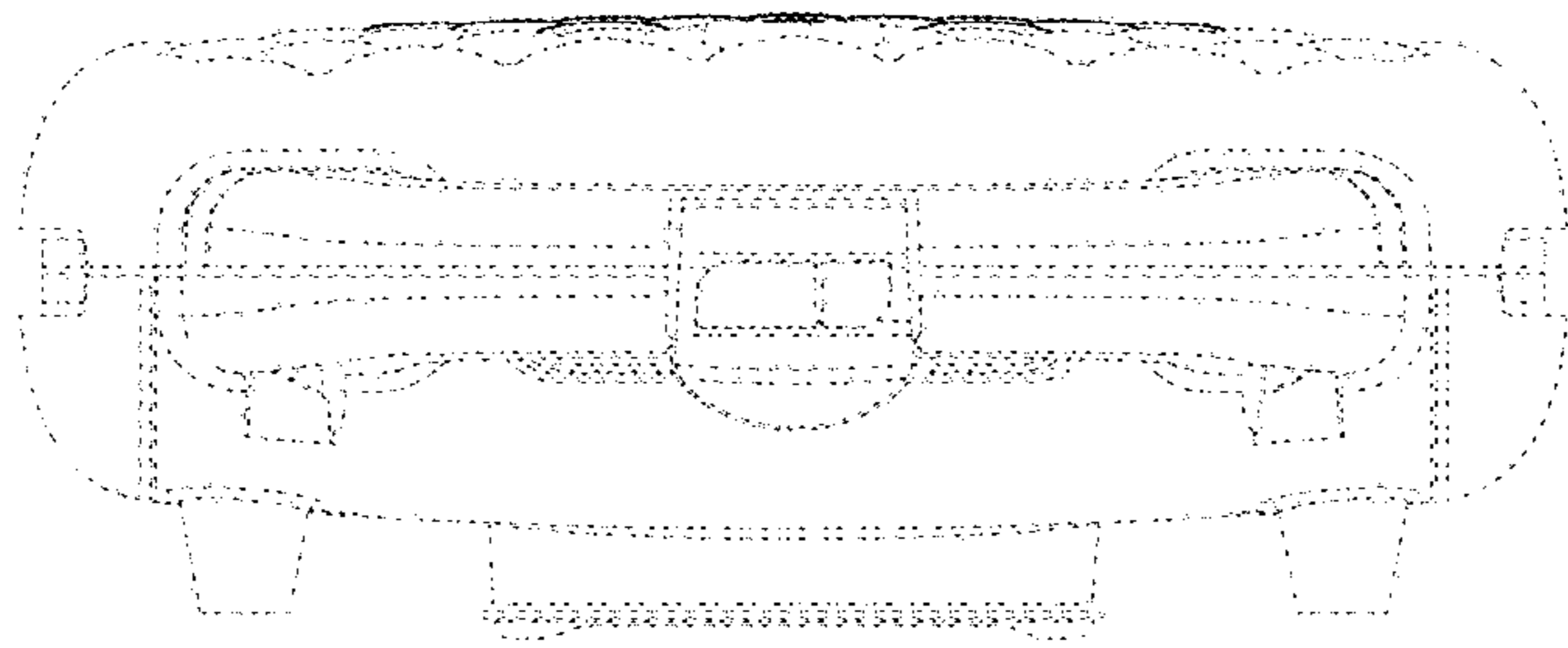


FIG. 11

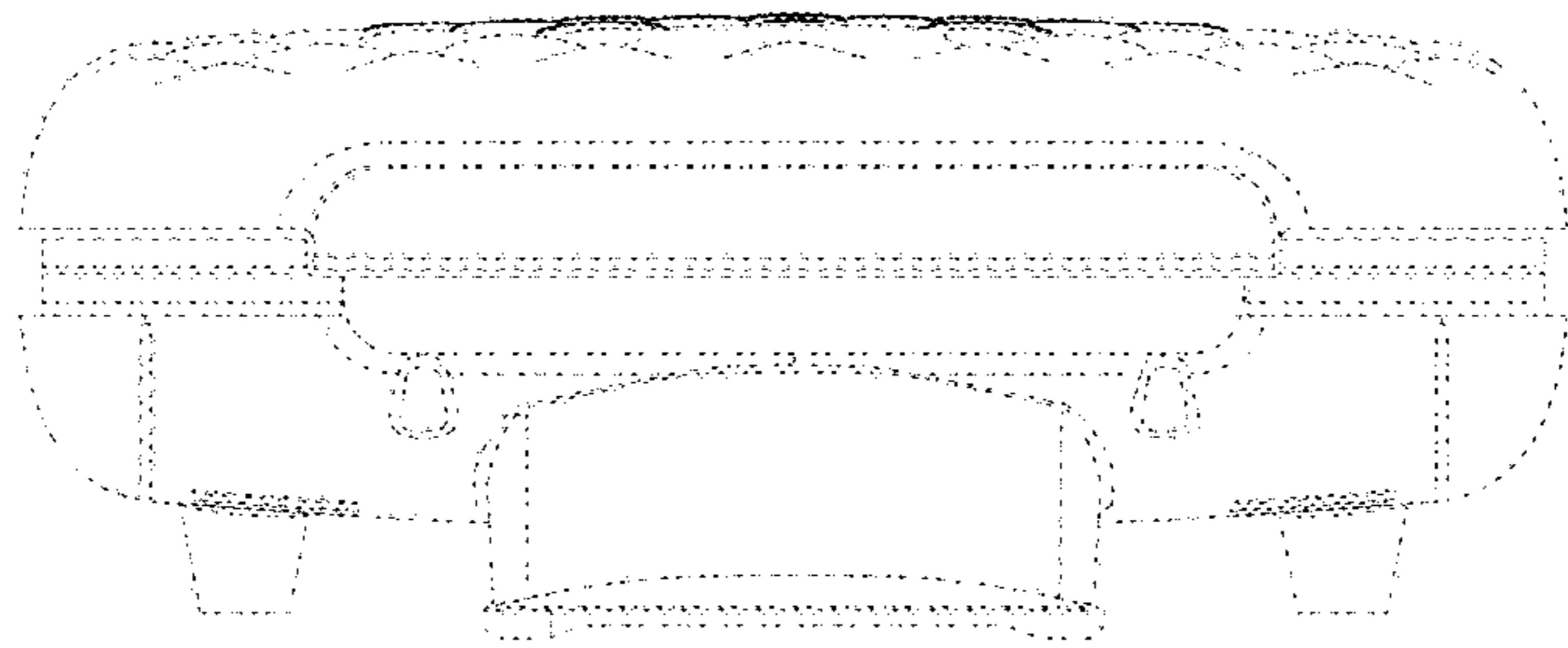


FIG. 12



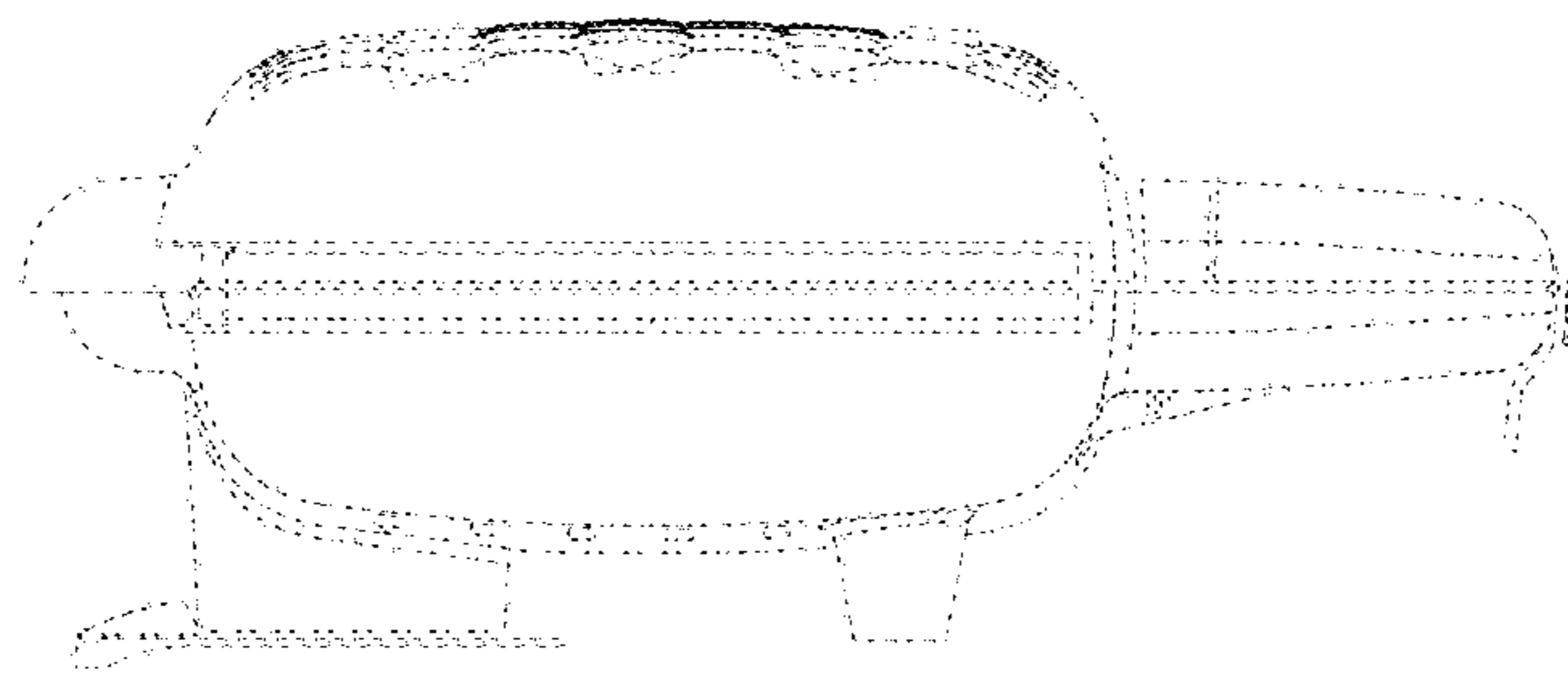


FIG. 13

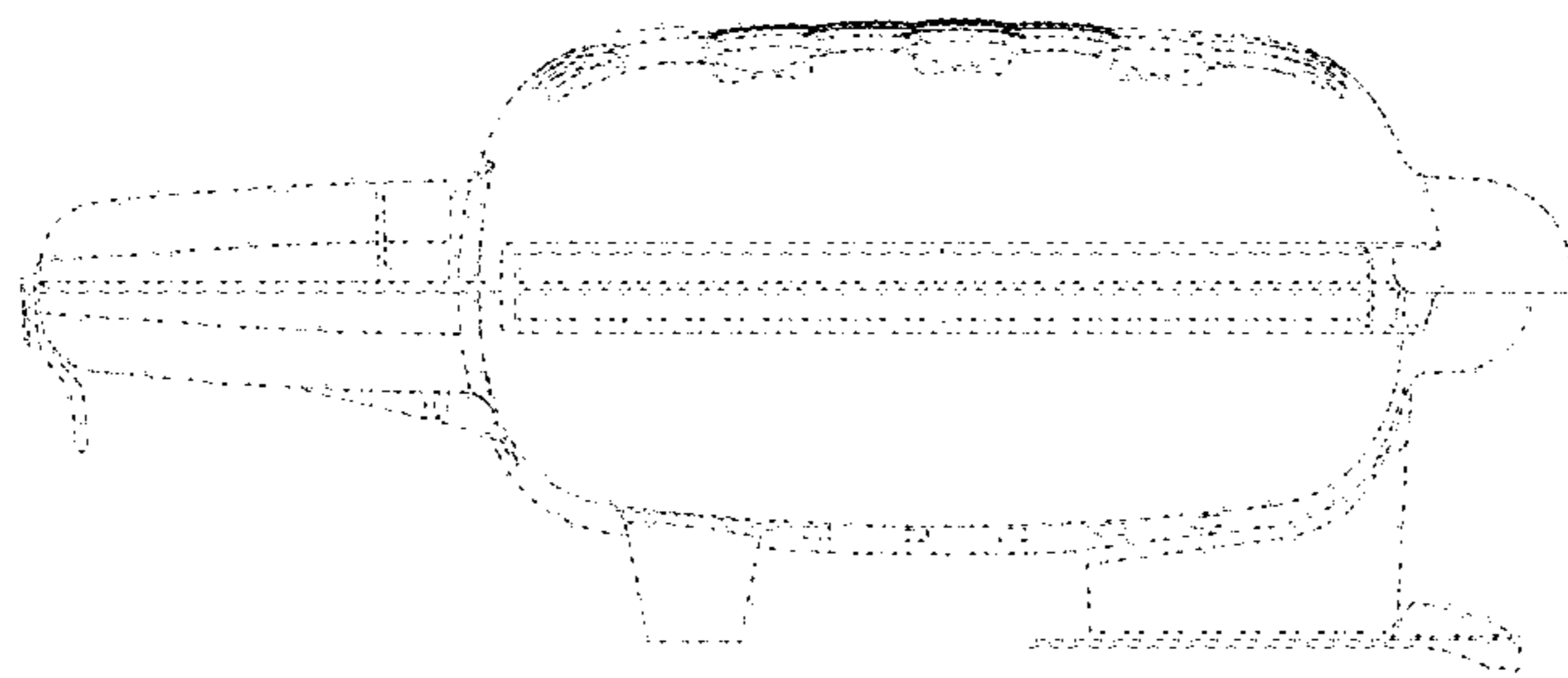


FIG. 14