

US00D864648S

(12) **United States Design Patent** (10) **Patent No.:** **US D864,648 S**  
**Josancy et al.** (45) **Date of Patent:** **\*\* Oct. 29, 2019**

(54) **ELECTRIC KETTLE**

(71) Applicant: **SEB**, Selongey (FR)

(72) Inventors: **Luc Josancy**, Sainte-Colombe (FR);  
**Fan Sifang**, Hangzhou (CN); **Chen Jian**, Hangzhou (CN)

(\*\*) Term: **15 Years**

(21) Appl. No.: **35/504,777**

(22) Filed: **Mar. 23, 2018**

(80) **Hague Agreement Data**

Int. Filing Date: **Mar. 23, 2018**

Int. Reg. No.: **DM/100588**

Int. Reg. Date: **Mar. 23, 2018**

Int. Reg. Pub. Date: **Apr. 20, 2018**

(30) **Foreign Application Priority Data**

Oct. 31, 2017 (FR) ..... 2017-4981

(51) **LOC (12) Cl.** ..... **07-01**

(52) **U.S. Cl.**  
USPC ..... **D7/319**

(58) **Field of Classification Search**  
USPC ..... D7/300, 312, 316-322  
CPC ..... A47J 27/21; A47J 27/21008; A47J  
27/21016; A47J 27/21175; A47J  
27/21191; A47J 41/0038  
See application file for complete search history.

(56) **References Cited**

**U.S. PATENT DOCUMENTS**

3,024,718 A \* 3/1962 Morrison ..... A47J 27/21008  
222/129.4  
D239,687 S \* 4/1976 Breger ..... D7/317  
D269,585 S \* 7/1983 Phillips ..... D7/321  
D285,160 S 8/1986 Osit

4,623,457 A 11/1986 Hankammer  
D322,007 S 12/1991 Adams et al.  
D339,023 S 9/1993 De Coster  
D345,670 S 4/1994 Piret  
D362,151 S 9/1995 Wilson et al.  
D362,582 S 9/1995 Wilson et al.  
D366,388 S 1/1996 Alessi Anghini et al.  
D390,743 S 2/1998 Saltet  
D393,569 S 4/1998 Lai et al.  
D399,090 S 10/1998 Green  
D437,175 S 2/2001 Brady  
D439,466 S 3/2001 Bouhuys  
D442,014 S 5/2001 Haring et al.  
D463,947 S 10/2002 Choi  
D475,233 S 6/2003 De Visser  
6,755,120 B1 6/2004 Lin  
D498,384 S 11/2004 McWilliam  
D498,638 S 11/2004 Morrison  
D528,846 S 9/2006 Tamura  
D544,288 S 6/2007 Berlencourt  
D554,425 S 11/2007 Schwamkrug  
D562,053 S 2/2008 Cohen  
D568,667 S \* 5/2008 Appleton ..... D7/317  
D581,718 S 12/2008 Verdun  
D595,534 S 7/2009 Mankowitz

(Continued)

*Primary Examiner* — Mary Ann Calabrese

(57) **CLAIM**

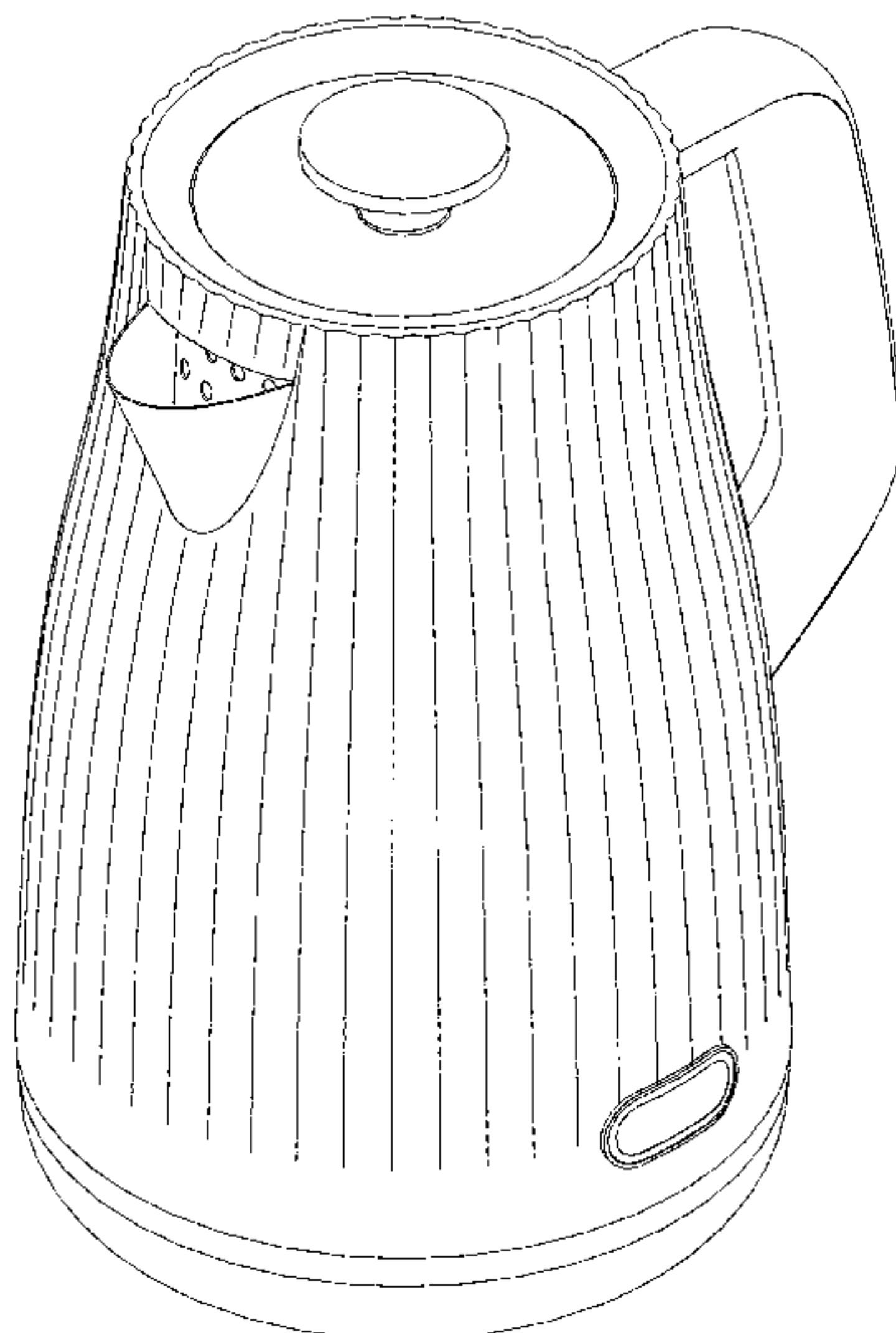
The ornamental design for electric kettle, as shown and described.

**DESCRIPTION**

2. Electric kettle  
**2.1** : Front  
**2.2** : Back  
**2.3** : Right  
**2.4** : Top  
**2.5** : Bottom  
**2.6** : Left  
**2.7** : Perspective

The portions of the electric food kettle shown by coloring form no part of the claimed design.

**1 Claim, 7 Drawing Sheets**



(56)

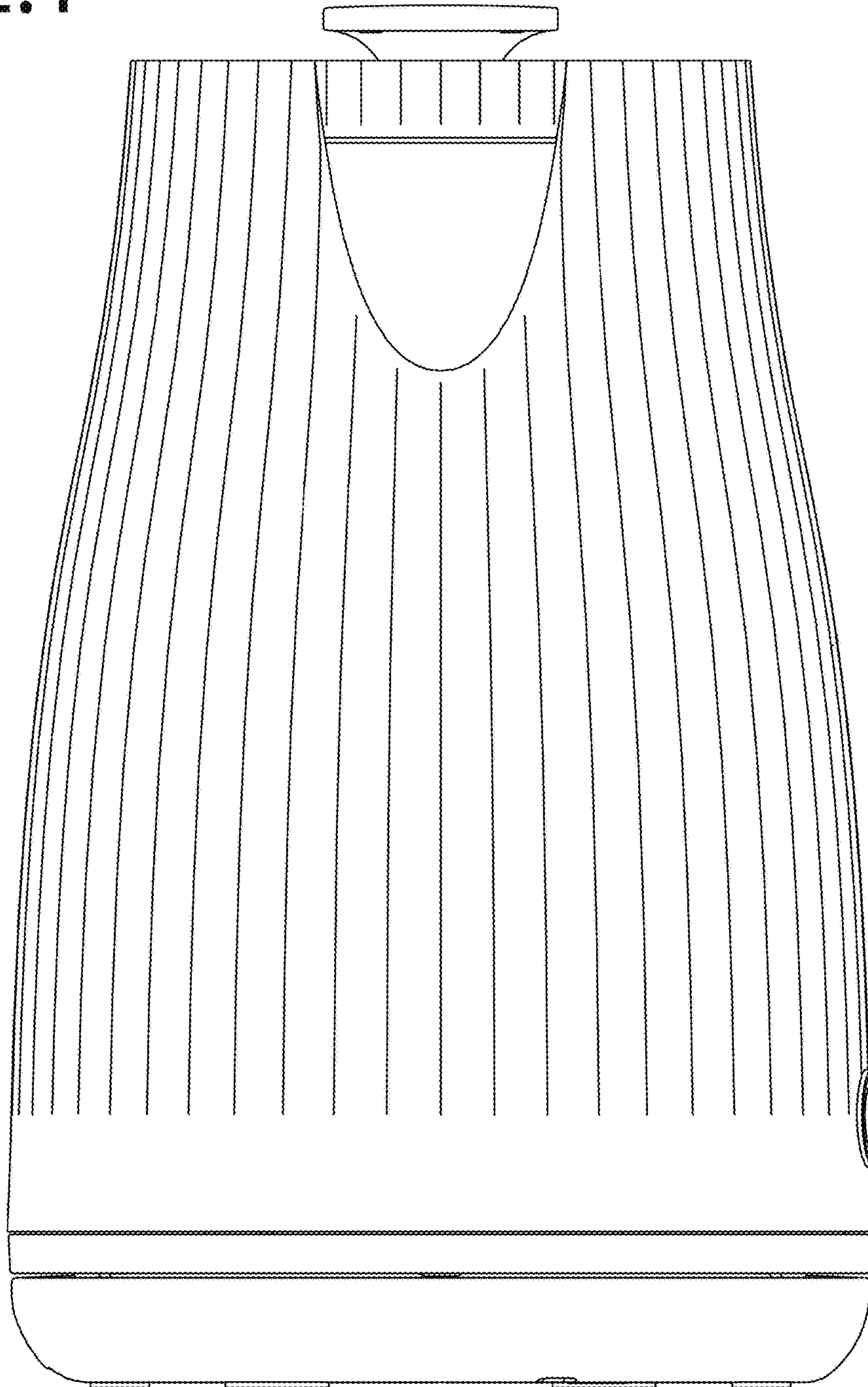
**References Cited**

U.S. PATENT DOCUMENTS

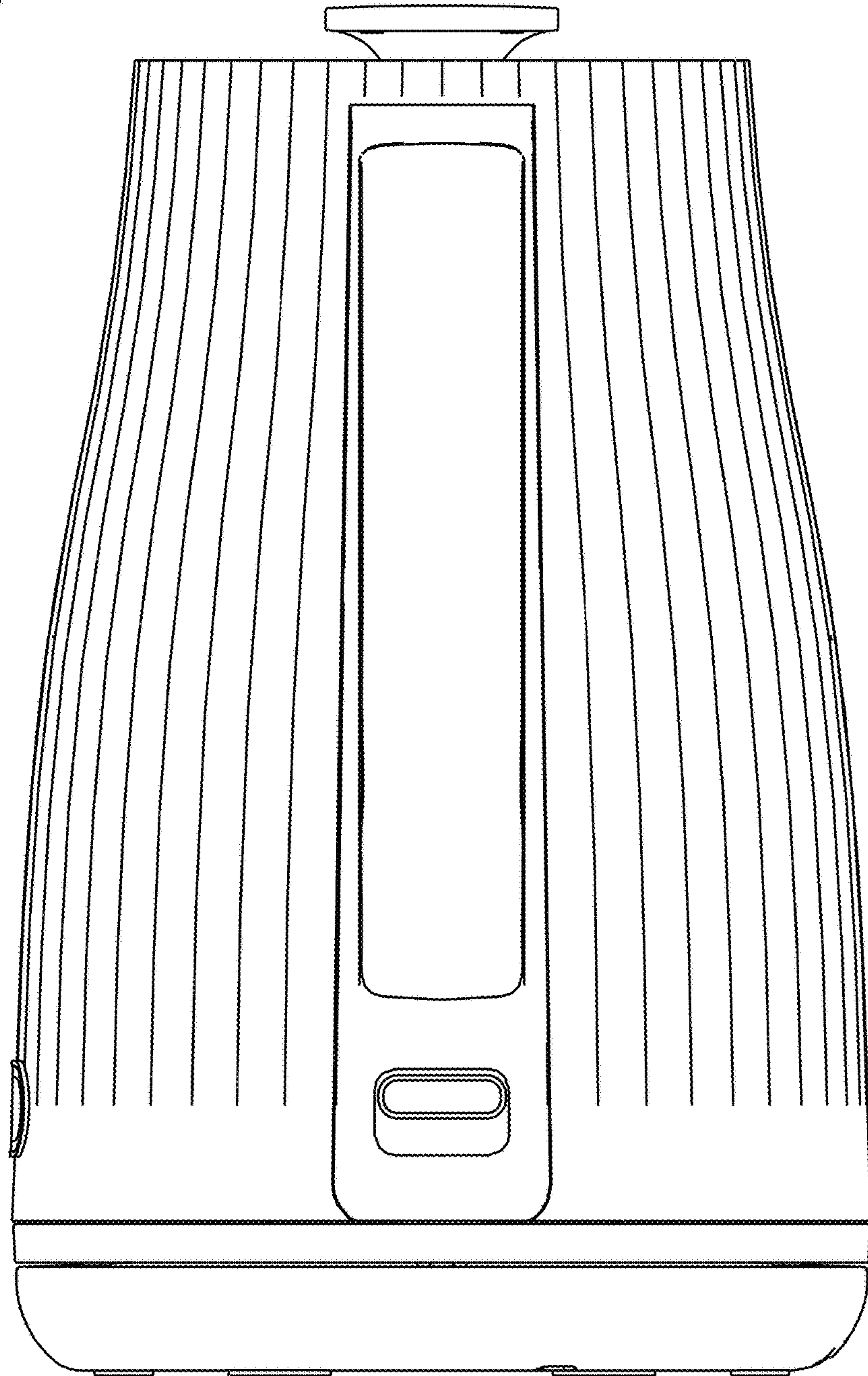
|              |      |         |                    |                          |
|--------------|------|---------|--------------------|--------------------------|
| D599,161     | S    | 9/2009  | Friel, Sr. et al.  |                          |
| D602,304     | S    | 10/2009 | Elissen            |                          |
| D607,686     | S    | 1/2010  | Elissen            |                          |
| D630,882     | S    | 1/2011  | Cohen              |                          |
| D658,925     | S    | 5/2012  | Horimoto           |                          |
| D666,865     | S    | 9/2012  | Spivey et al.      |                          |
| D670,526     | S *  | 11/2012 | Street .....       | A47J 27/21166<br>D7/317  |
| D686,034     | S    | 7/2013  | Bodum              |                          |
| 8,536,490    | B2   | 9/2013  | Zhang et al.       |                          |
| D703,479     | S    | 4/2014  | Norland et al.     |                          |
| D709,724     | S    | 7/2014  | Mander             |                          |
| D714,581     | S    | 10/2014 | Shao               |                          |
| D718,974     | S    | 12/2014 | De'Longhi et al.   |                          |
| D726,486     | S    | 4/2015  | Averty             |                          |
| D731,226     | S    | 6/2015  | Sun                |                          |
| D747,130     | S    | 1/2016  | Kunz               |                          |
| D752,911     | S    | 4/2016  | Bazzicalupo et al. |                          |
| D763,042     | S *  | 8/2016  | Shao .....         | D7/517                   |
| D777,500     | S    | 1/2017  | Lee et al.         |                          |
| D779,259     | S    | 2/2017  | De' Longhi et al.  |                          |
| D779,260     | S    | 2/2017  | De' Longhi et al.  |                          |
| D788,511     | S    | 6/2017  | Powell             |                          |
| D805,342     | S *  | 12/2017 | Benoit .....       | D7/318                   |
| D827,355     | S    | 9/2018  | Powell             |                          |
| 2012/0145698 | A1   | 6/2012  | Von Seidel         |                          |
| 2016/0192803 | A1 * | 7/2016  | Doyle .....        | A47J 27/21166<br>219/386 |

\* cited by examiner

2.1

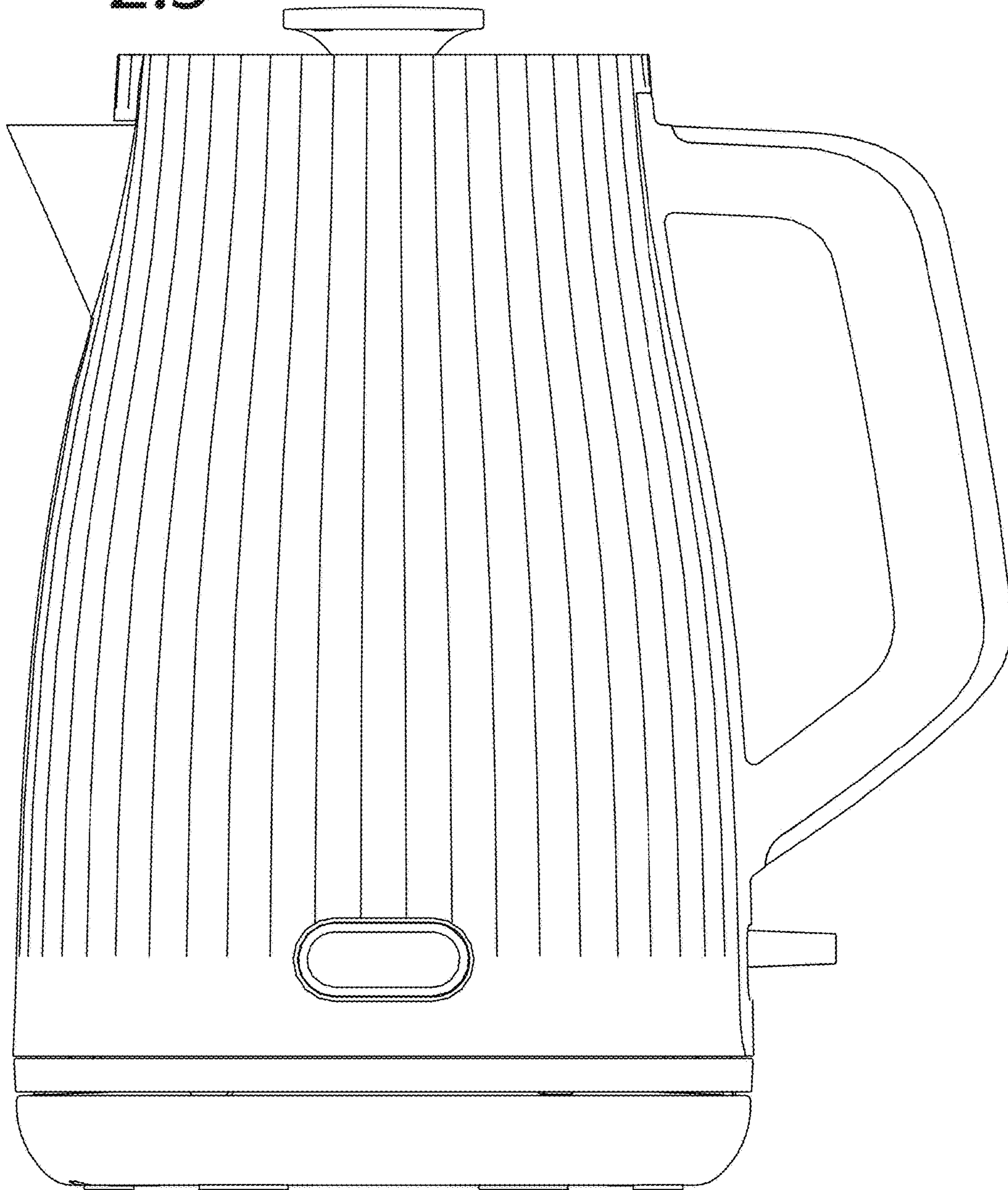


2.2

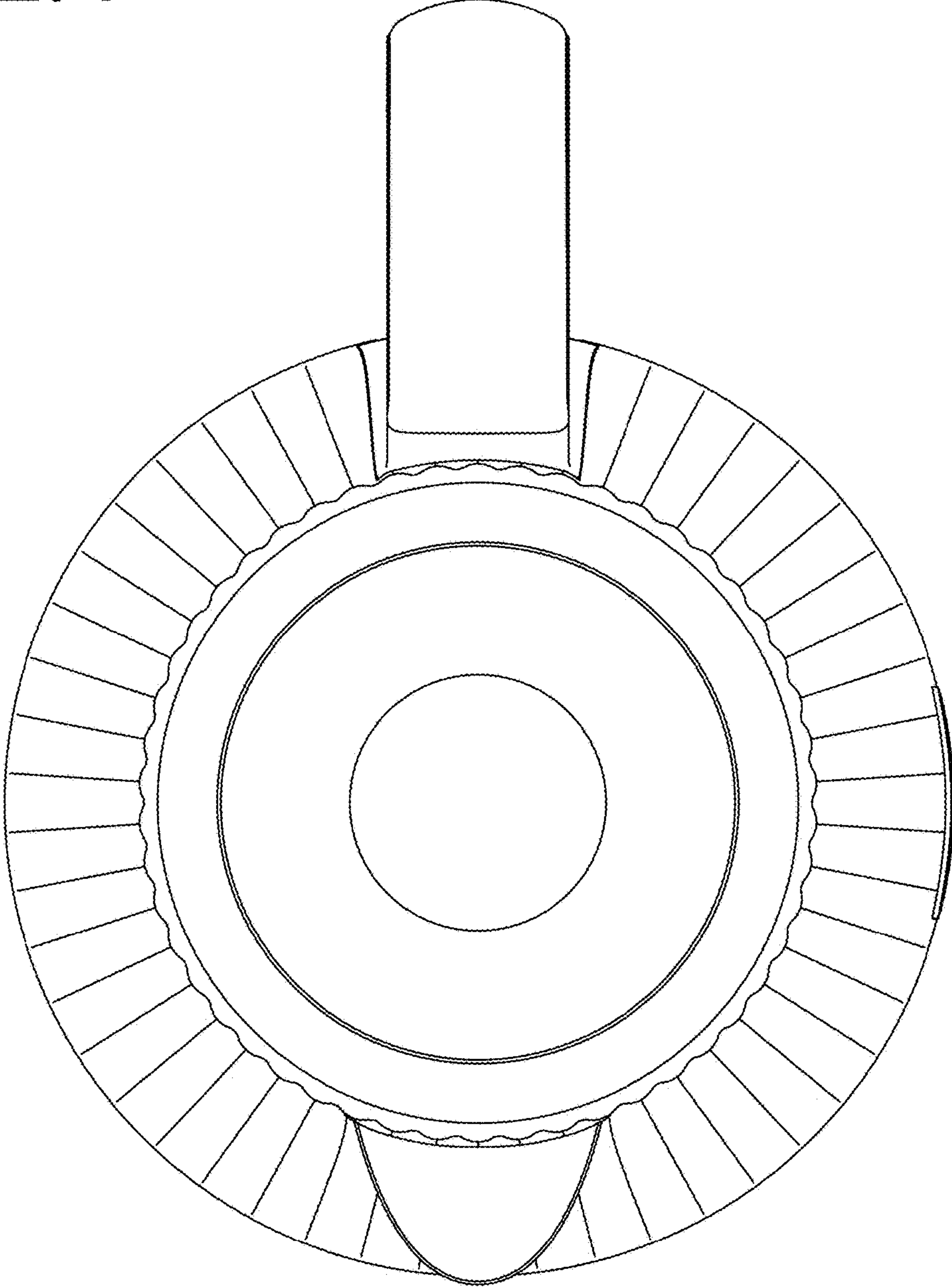




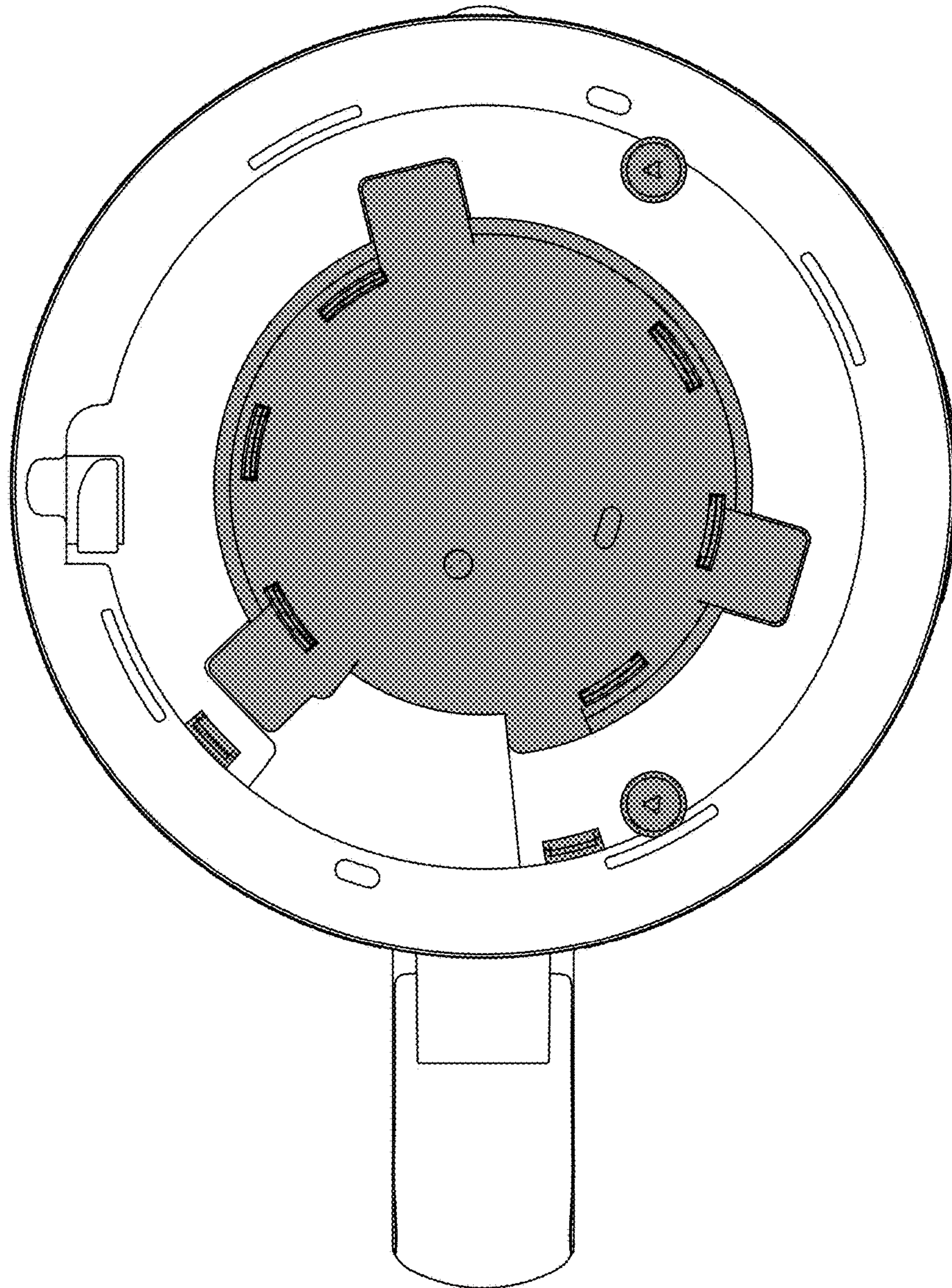
2.3



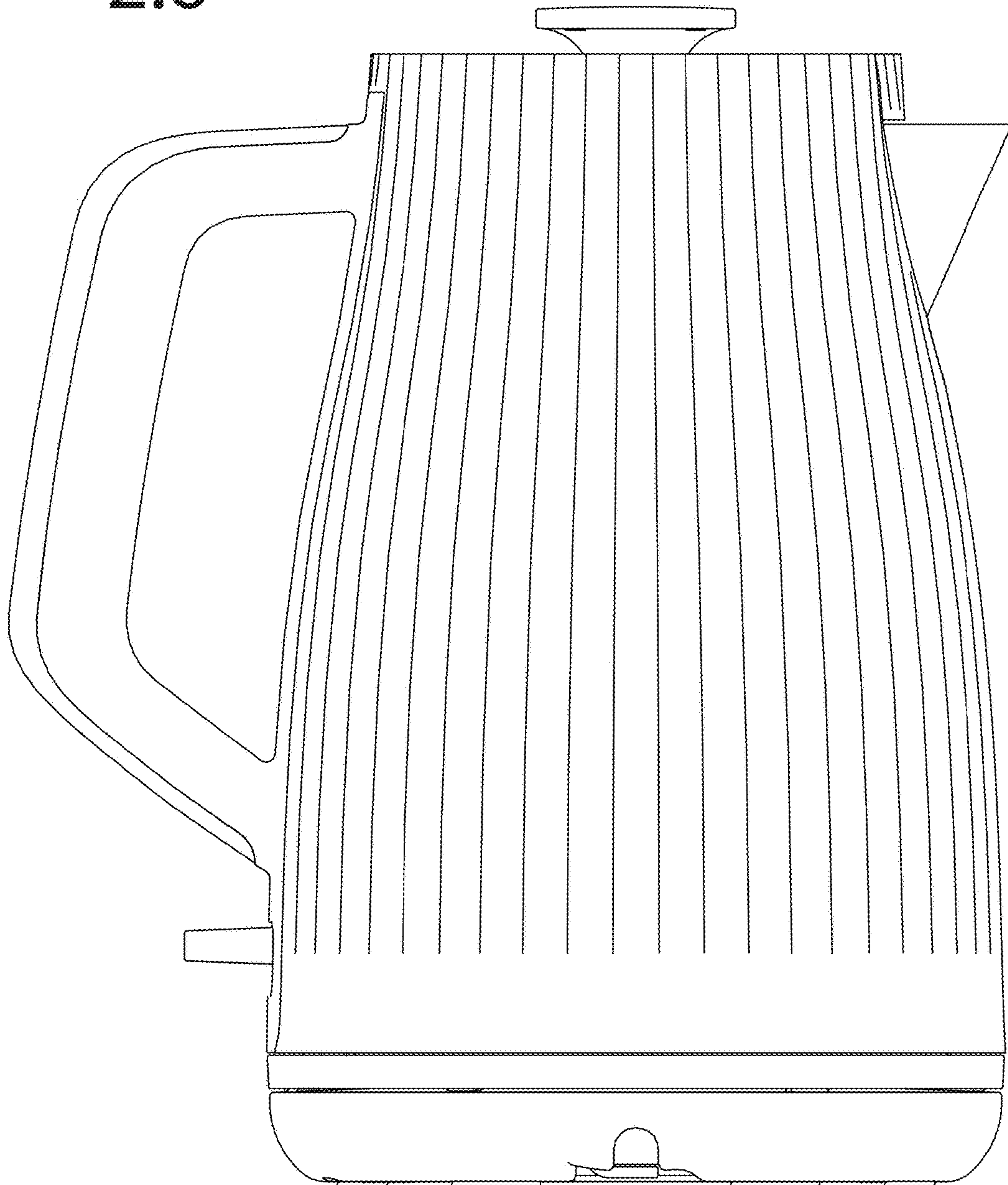
2.4



2.5



2.6





2.7

