



US00D864643S

(12) **United States Design Patent**  
**Zdanius**

(10) **Patent No.:** **US D864,643 S**

(45) **Date of Patent:** **\*\* Oct. 29, 2019**

(54) **CHAIR FRAME**

(71) Applicant: **Grimshaw Architects**, New York, NY  
(US)

(72) Inventor: **Casimir Algis Zdanius**, New York, NY  
(US)

(73) Assignee: **Grimshaw Architects**, New York, NY  
(US)

(\*\*) Term: **15 Years**

(21) Appl. No.: **29/597,746**

(22) Filed: **Mar. 20, 2017**

**Related U.S. Application Data**

(62) Division of application No. 29/487,250, filed on Apr. 7, 2014, now Pat. No. Des. 791,525.

(51) **LOC (12) Cl.** ..... **06-04**

(52) **U.S. Cl.**  
USPC ..... **D6/717**

(58) **Field of Classification Search**

USPC ..... D6/717, 717.2, 300, 349, 334, 335, 336,  
D6/371, 716.1, 716.2, 716.4, 716.8  
CPC ..... A47C 1/14; A47C 3/16-20; A47C 4/00;  
A47C 4/28; A47C 5/02; A47C 5/04;  
A47C 5/043; A47C 7/00; A47C 7/006;  
A47C 7/02; A47C 9/00; A47C 9/02;  
A47C 9/002; A47C 9/007; A47C 9/025;  
A47C 9/10; A47C 11/00; A47C 12/00;  
A47C 13/00; A47C 16/02

See application file for complete search history.

(56) **References Cited**

**U.S. PATENT DOCUMENTS**

D348,783 S \* 7/1994 Young ..... D6/333  
D442,379 S \* 5/2001 Vertongen ..... D6/368

D498,079 S *	11/2004	Messier	.....	D6/370
D528,831 S *	9/2006	Rizzi	.....	D6/717
D532,630 S *	11/2006	Rizzi	.....	D6/708
D534,021 S *	12/2006	Rizzi	.....	D6/716
D585,210 S *	1/2009	Rizzi	.....	D6/381
D590,621 S *	4/2009	Pappas	.....	D6/381
D601,823 S *	10/2009	Skalka	.....	D6/381
D629,233 S *	12/2010	Slear	.....	D6/717
D689,320 S *	9/2013	Watton	.....	D6/717
D759,413 S *	6/2016	Lade	.....	D6/379
D791,525 S *	7/2017	Zdanius	.....	D6/717

\* cited by examiner

*Primary Examiner* — Garth Rademaker

*Assistant Examiner* — Fritzgerald L Butac

(74) *Attorney, Agent, or Firm* — Armstrong Teasdale LLP

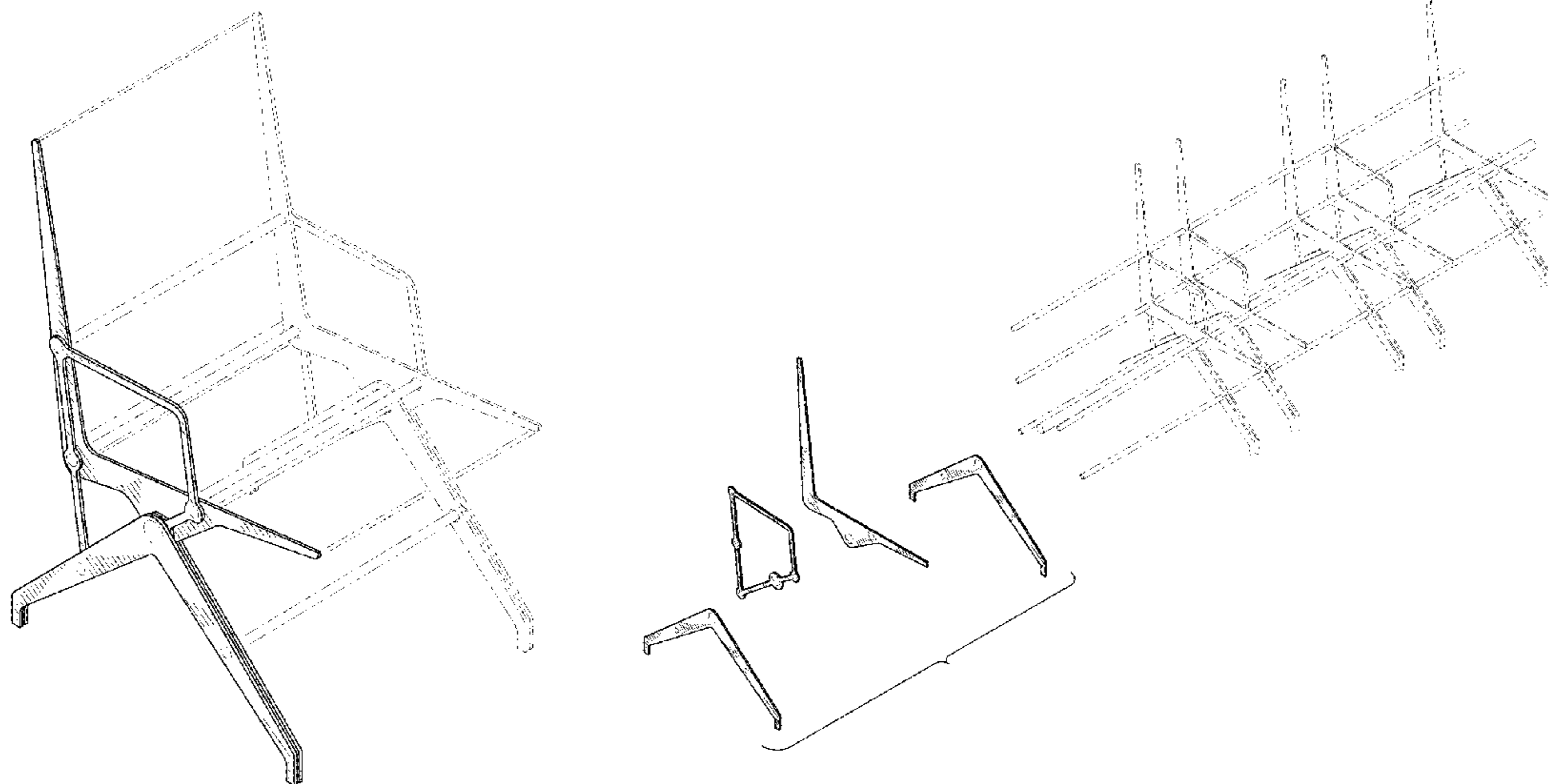
(57) **CLAIM**

The ornamental design for a chair frame, as shown and described.

**DESCRIPTION**

FIG. 1 is a perspective view of a chair frame showing my new design;  
FIG. 2 is a front elevational view thereof;  
FIG. 3 is a left side elevational view thereof;  
FIG. 4 is a right side elevational view thereof;  
FIG. 5 is a rear elevational view thereof;  
FIG. 6 is a top plan view thereof;  
FIG. 7 is a bottom plan view thereof; and,  
FIG. 8 is an exploded perspective view of thereof in an environment showing other chair frames.  
The broken lines showing additional chair frames in FIG. 8 represent are environmental and form no part of the claimed design. All other broken lines show portions of a chair frame that form no part of the claimed design.

**1 Claim, 8 Drawing Sheets**



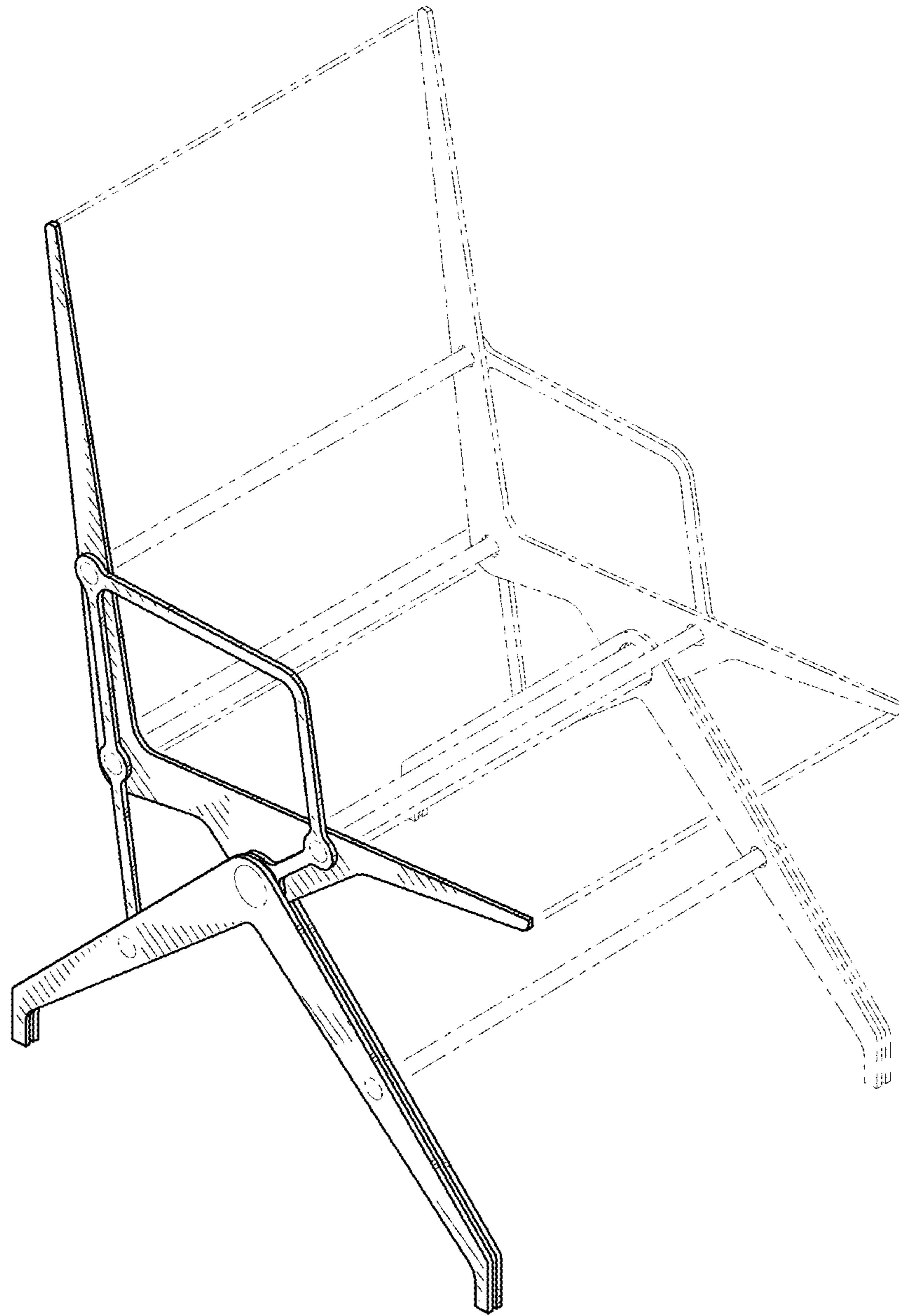


FIG. 1

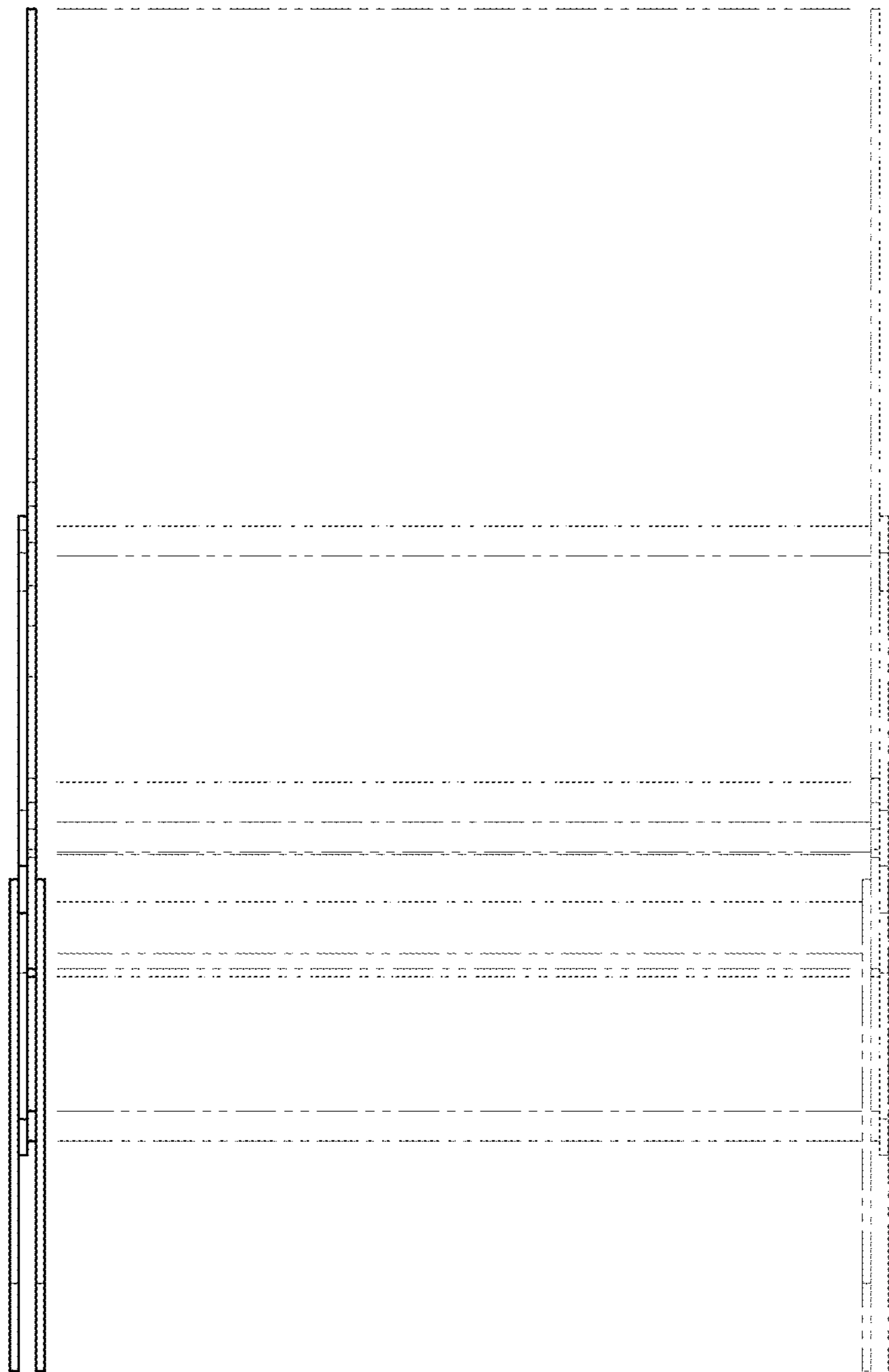


FIG. 2

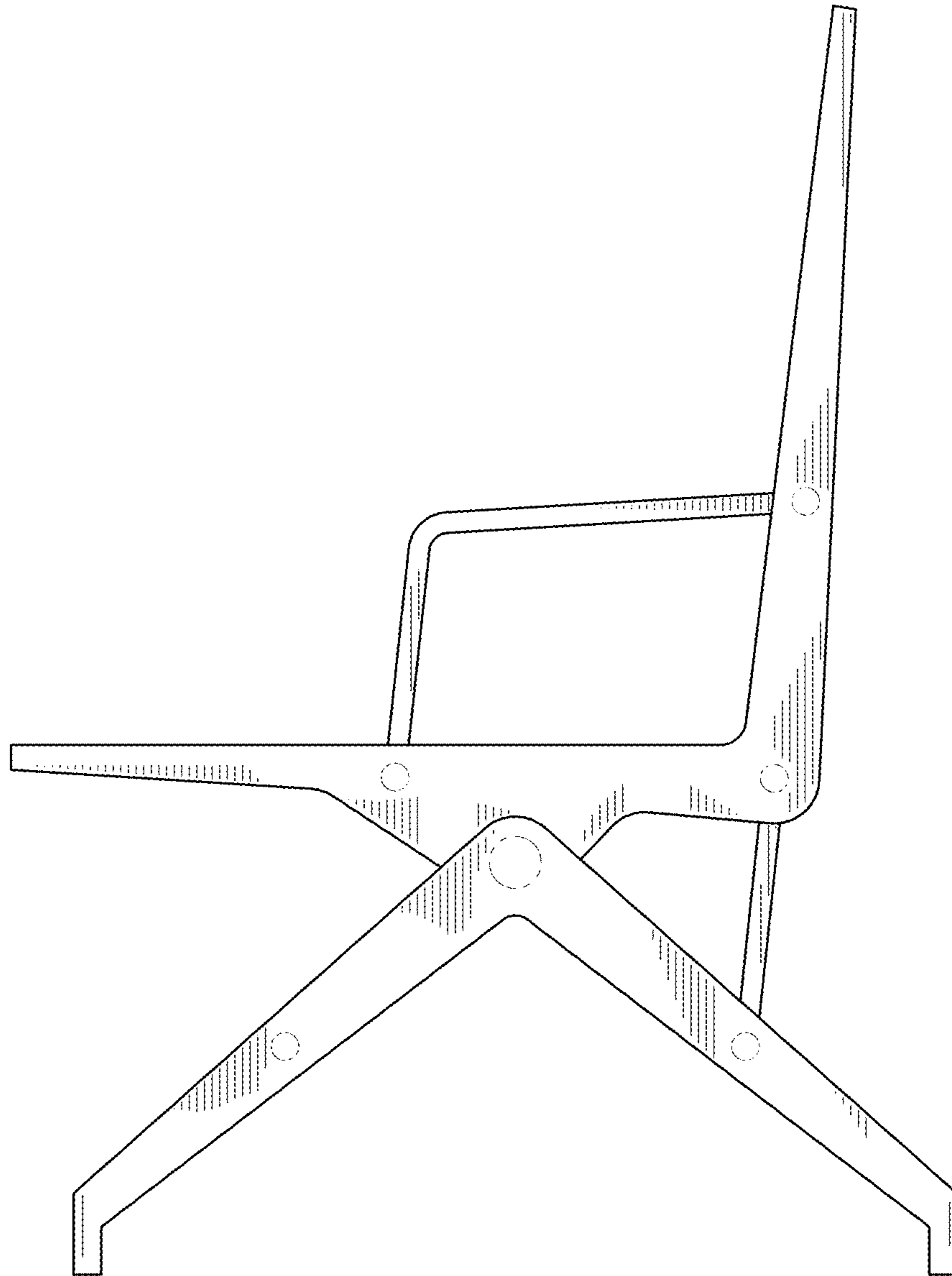


FIG. 3

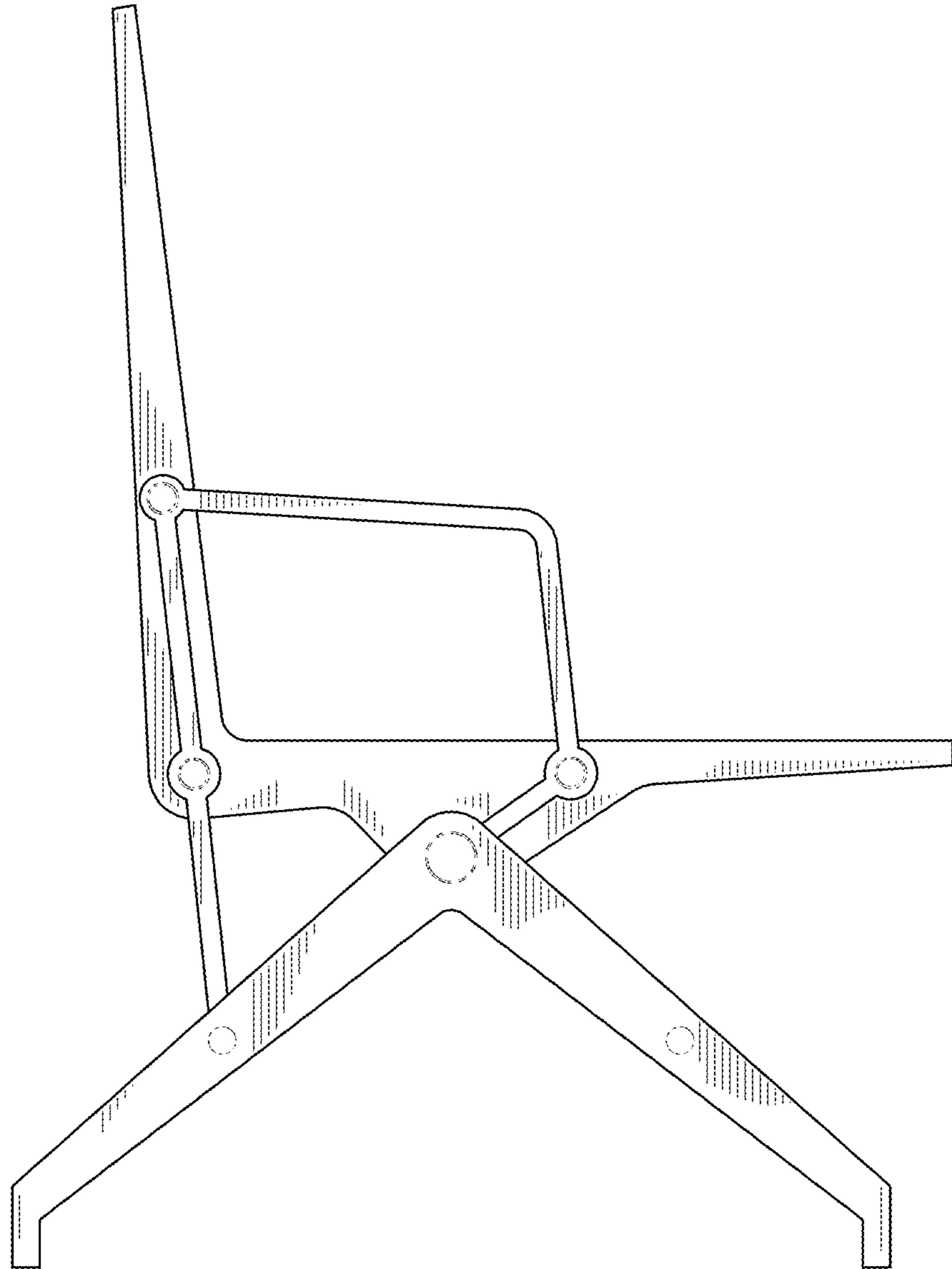


FIG. 4

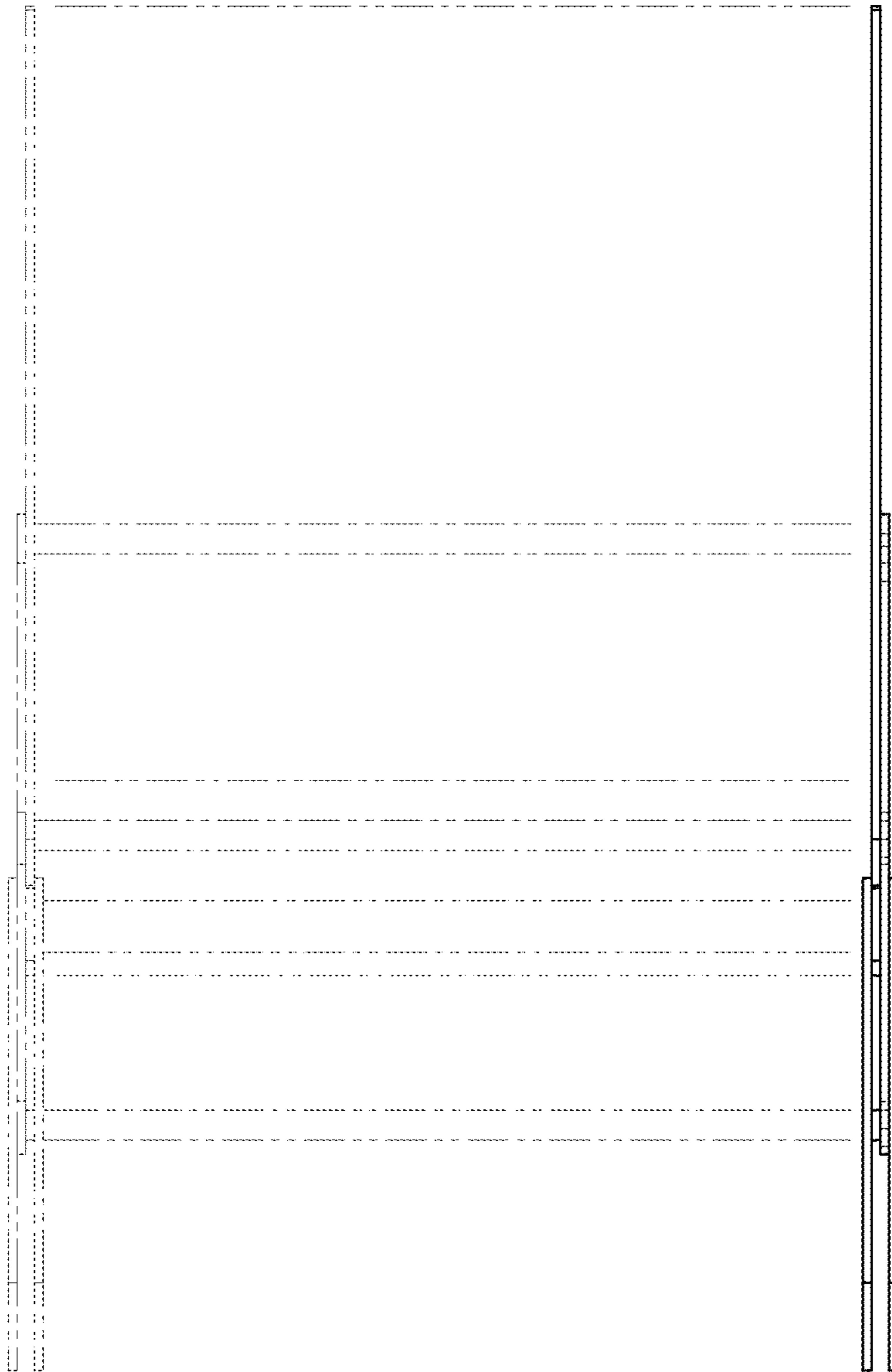


FIG. 5

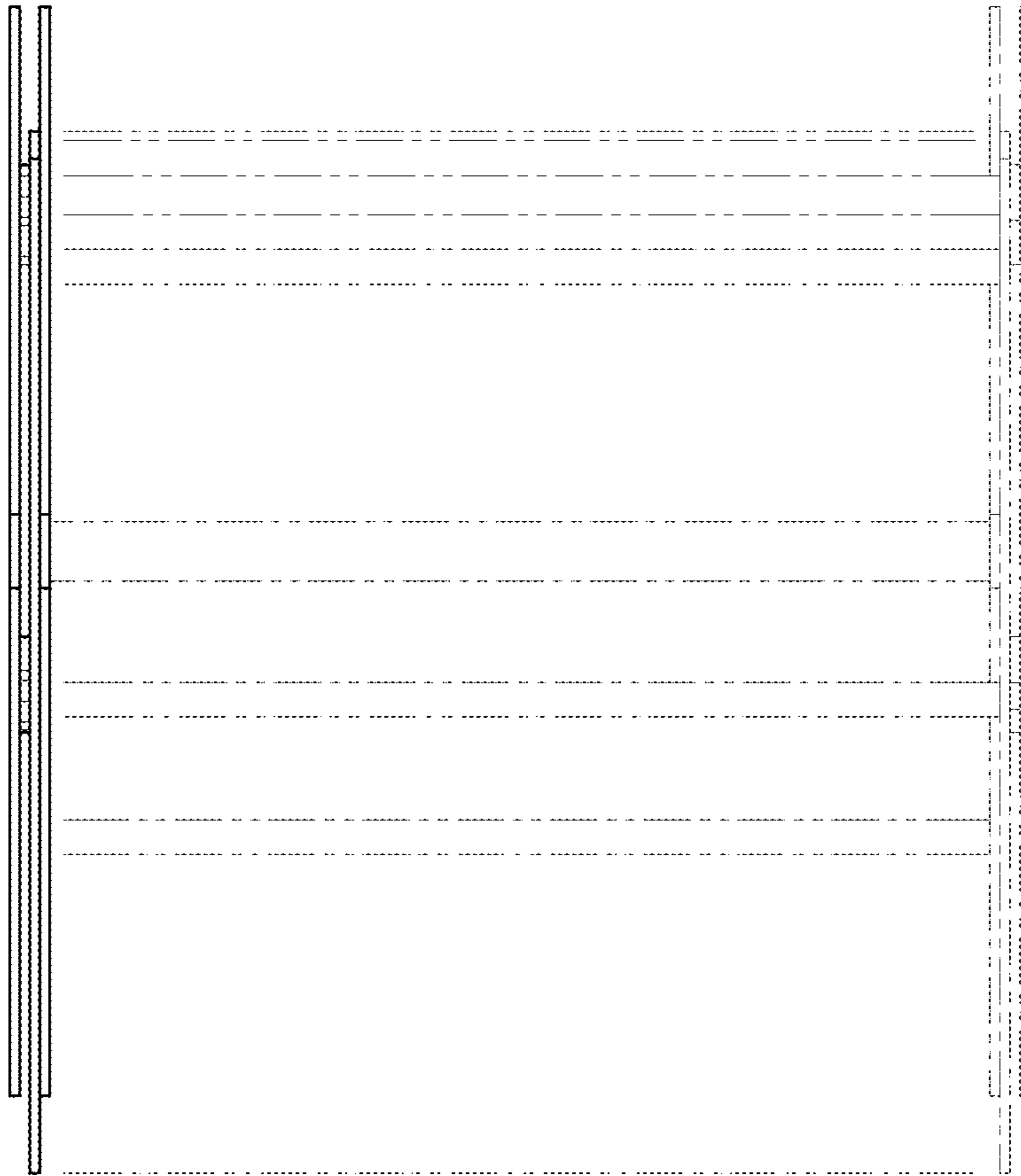


FIG. 6

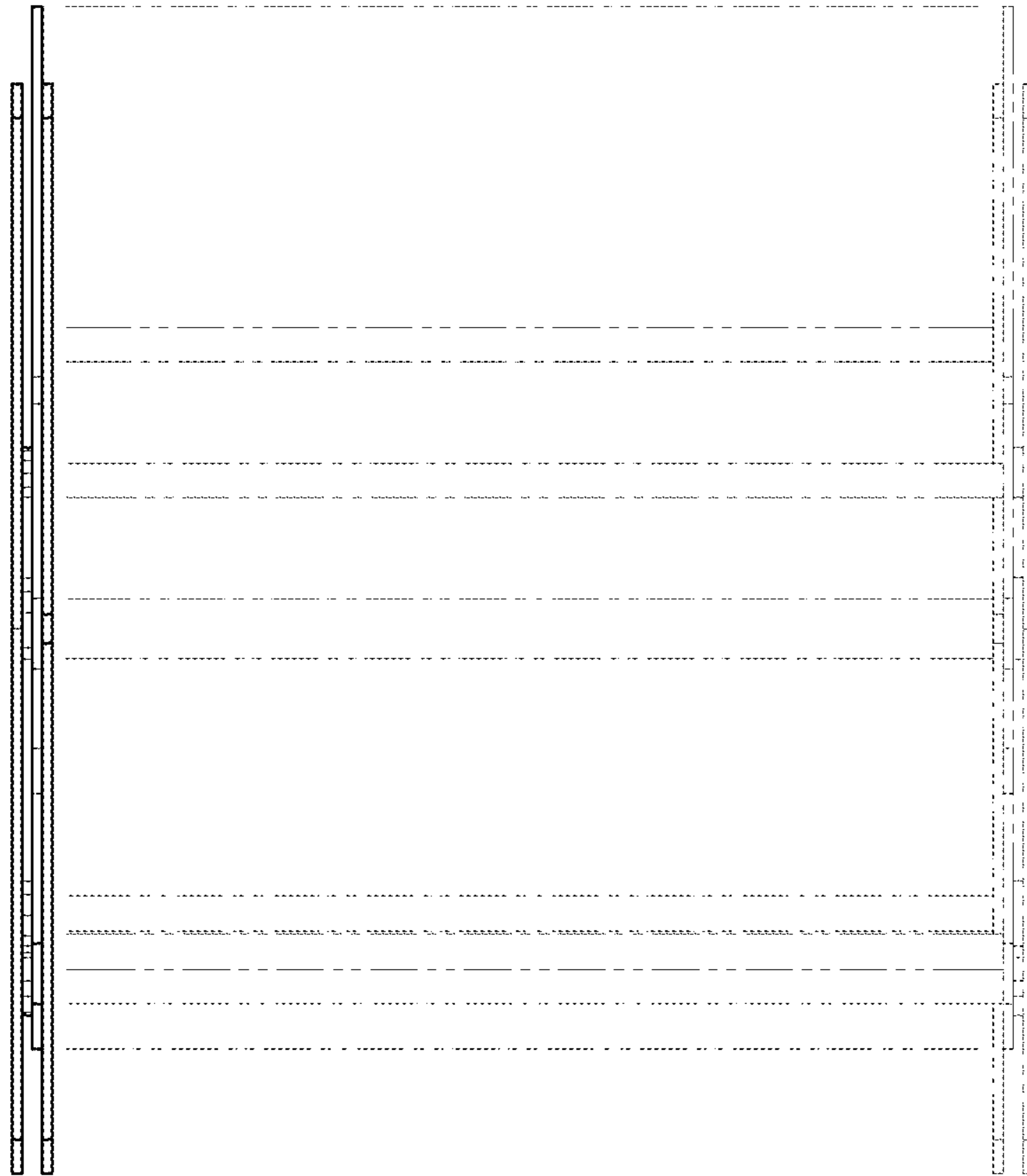


FIG. 7



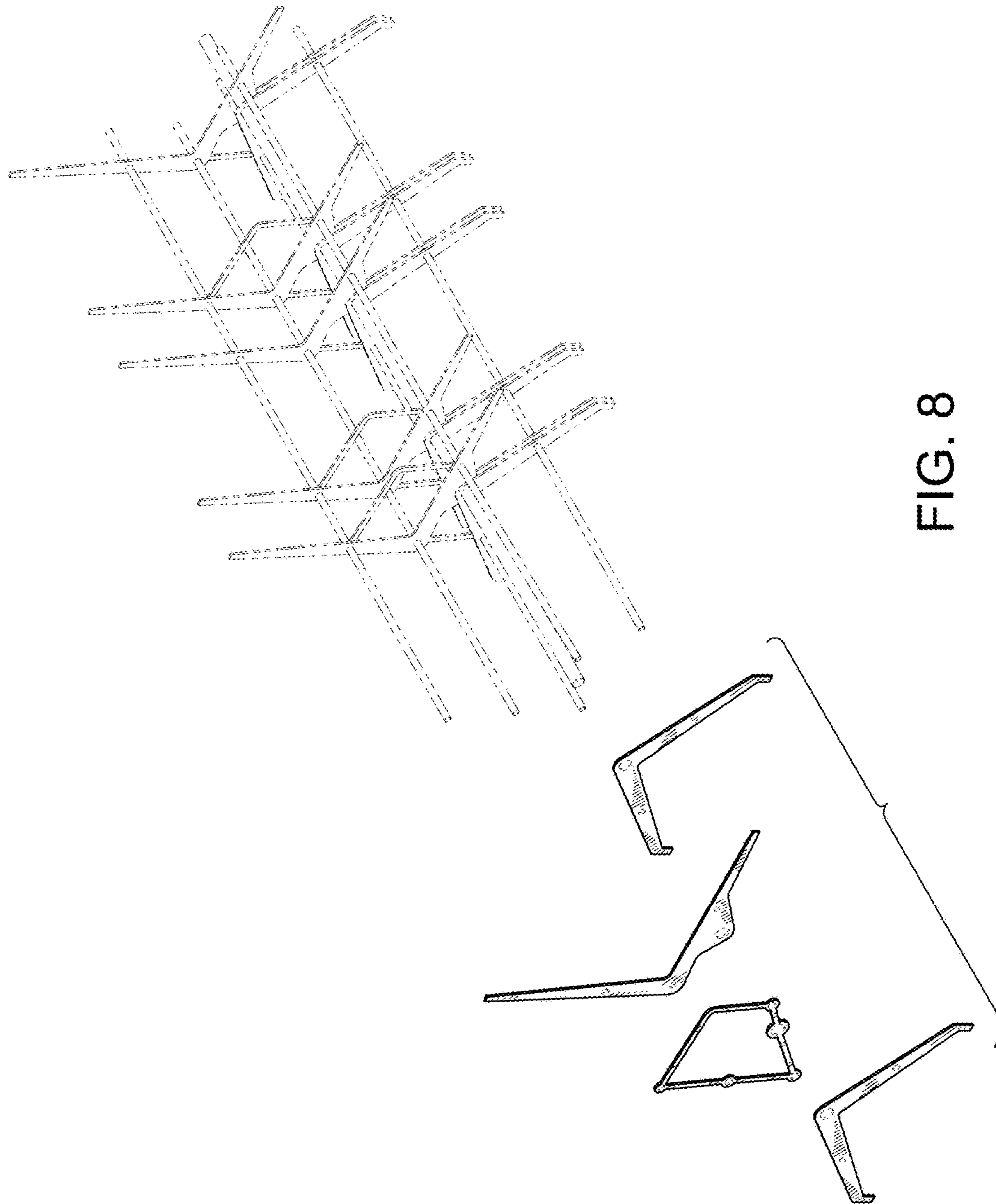


FIG. 8