



US00D864642S

(12) **United States Design Patent**
Hotchkiss et al.

(10) **Patent No.:** **US D864,642 S**

(45) **Date of Patent:** **** Oct. 29, 2019**

(54) **SEAT**

(71) Applicant: **YETI Coolers, LLC**, Austin, TX (US)

(72) Inventors: **Tobias Hotchkiss**, Austin, TX (US);
Kyle Ellison, Austin, TX (US); **Derek Sullivan**, Austin, TX (US); **Amanda Bernal**, Austin, TX (US); **Dennis Zuck**, Austin, TX (US); **Roy Joseph Seiders**, Austin, TX (US)

(73) Assignee: **YETI Coolers, LLC**, Austin, TX (US)

(**) Term: **15 Years**

(21) Appl. No.: **29/646,239**

(22) Filed: **May 2, 2018**

(51) **LOC (12) Cl.** **06-06**

(52) **U.S. Cl.**
USPC **D6/716.1; D6/352**

(58) **Field of Classification Search**
USPC D6/334-338, 340-343, 349-353, 355,
D6/364-366, 596, 601, 604, 691-691.9,
D6/692-692.6, 716-716.1; D25/65
CPC A47B 7/00-02; A47C 11/00; A47C 12/00;
A47C 16/02-04; A47C 9/00-105
See application file for complete search history.

(56) **References Cited**

U.S. PATENT DOCUMENTS

2,919,169 A 12/1959 Jackson
3,751,845 A 8/1973 van Leeuwen
4,067,607 A * 1/1978 Battles A01K 97/22
297/462
4,379,587 A 4/1983 Duncan
4,457,447 A 7/1984 Kirkis

(Continued)

FOREIGN PATENT DOCUMENTS

CN 205337292 U 6/2016
CN 205576981 U 9/2016

(Continued)

OTHER PUBLICATIONS

Muddy Outdoors 5-Gallon Pail Swivel Seat Top Padded Camo. [online] Published Apr. 6, 2018. Retrieved May 9, 2019 from URL: https://www.cheaperthandirt.com/product/muddy-outdoors-5-gallon-pail-swivel-seat-top-padded-camo-097973090022.do.*

(Continued)

Primary Examiner — Vy N Koenig

(74) *Attorney, Agent, or Firm* — Banner & Witcoff, Ltd.

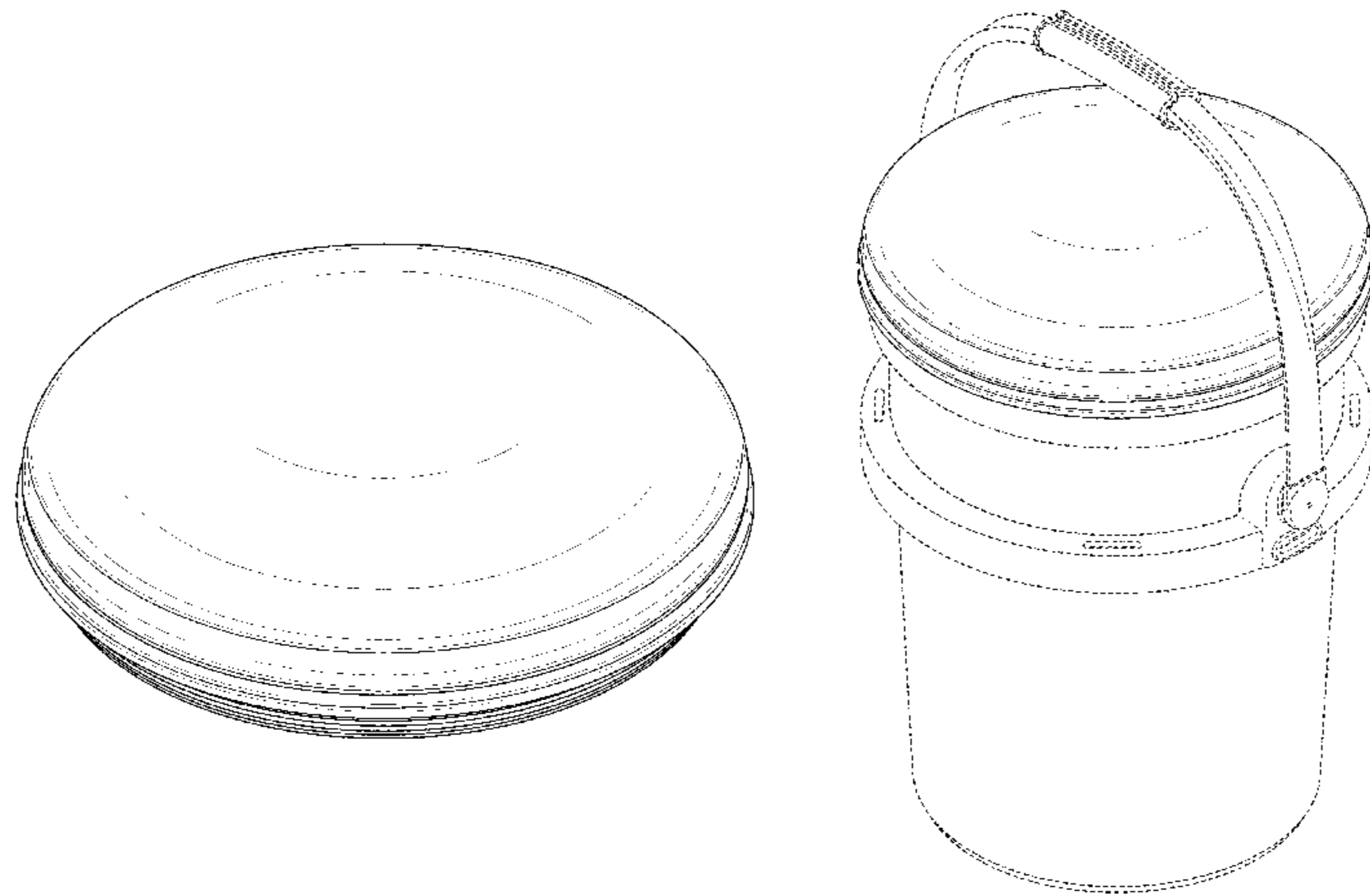
(57) **CLAIM**

The ornamental design for a seat, as shown and described.

DESCRIPTION

FIG. 1 is a top, front, right perspective view of a seat showing our new design;
FIG. 2 is a front view thereof;
FIG. 3 is a rear view thereof;
FIG. 4 is a right side view thereof;
FIG. 5 is a left side view thereof;
FIG. 6 is a top view thereof;
FIG. 7 is a bottom view thereof;
FIG. 8 is a top, front, right perspective view of a seat showing the design of FIGS. 1-8, including alternative unclaimed environmental details;
FIG. 9 is a front view thereof;
FIG. 10 is a rear view thereof;
FIG. 11 is a right side view thereof;
FIG. 12 is a left side view thereof;
FIG. 13 is a top view thereof; and,
FIG. 14 is a bottom view thereof.
The broken lines immediately adjacent to the shaded area define the bounds of the claimed design and form no part thereof. The broken lines depicting the remainder of the seat show features that form no part of the claimed design.

1 Claim, 12 Drawing Sheets



(56)

References Cited

U.S. PATENT DOCUMENTS

4,773,709	A	9/1988	Slinkard	
5,170,516	A	12/1992	Davison	
5,318,339	A	6/1994	Cherniak	
5,319,877	A	6/1994	Hagan	
5,386,922	A	2/1995	Jordan	
5,429,265	A	7/1995	Maire et al.	
5,435,643	A	7/1995	Kennedy	
D367,789	S *	3/1996	Barile	D6/716.1
D371,185	S *	6/1996	Mullins	D22/134
5,586,805	A	12/1996	Rinehart	
5,595,429	A	1/1997	Kennedy	
5,755,057	A	5/1998	Dancer	
5,769,492	A	6/1998	Jensen	
D439,022	S *	3/2001	Brandeis	D3/308
6,352,756	B1	3/2002	Ichikawa et al.	
6,354,246	B1	3/2002	Kamihata et al.	
6,938,761	B2	9/2005	Nish	
7,341,314	B1	3/2008	Boyd	
7,347,430	B2	3/2008	Jenkins	
7,374,517	B2	5/2008	Lockett	
D574,668	S *	8/2008	Kelly	D22/136
7,644,535	B2	1/2010	Sloop	
7,832,663	B1	11/2010	Cotham	
8,251,269	B2	8/2012	Winneur	
D688,434	S *	8/2013	Kinsky	D32/53
8,607,498	B1	12/2013	Smith et al.	
8,615,921	B1	12/2013	Weems	
8,955,534	B2	2/2015	Yang	
8,992,111	B2	3/2015	Bachman et al.	
9,067,462	B1 *	6/2015	Pressler	A46B 17/02
D746,073	S *	12/2015	Elmaleh	D6/349
D748,924	S *	2/2016	Walser	D6/352
D764,200	S *	8/2016	Elmaleh	D6/349
9,474,376	B2	10/2016	Drew	
9,567,135	B1	2/2017	Spadaccini	
D789,723	S *	6/2017	Walser	D6/716.1
9,814,225	B2	11/2017	Myers	
D816,285	S *	4/2018	Seiders	D32/53
D824,682	S *	8/2018	Zanayed	D6/352
2006/0124505	A1 *	6/2006	Hanson	B25H 3/00 206/702
2007/0028416	A1	2/2007	Dunkel et al.	
2007/0145700	A1	6/2007	Ambrose et al.	
2011/0181081	A1	7/2011	Williams et al.	
2012/0007391	A1	1/2012	McCaslin	
2013/0127128	A1	5/2013	Meidl	
2016/0228756	A1	8/2016	Siscoe	
2017/0311703	A1	11/2017	Wistrand	

FOREIGN PATENT DOCUMENTS

CN	206043182	U	3/2017
CN	206231826	U	6/2017
CN	206827204	U	1/2018

OTHER PUBLICATIONS

“5 Gallon Bucket Seat”; Find It Make It Love It; retrieved Jan. 26, 2018; published May 15, 2013; URL: <<http://finditmakeitloveit.com/2013/05/5-gallon-bucket-seat.html>>.

“Guidesman 5-Gallon Pail Swivel Seat Top”; Menards; retrieved Jan. 26, 2018; disclosure date unknown but prior to the filing date of the present application; URL: <<https://www.menards.com/main/>

outdoors/outdoor-recreation/hunting-equipment/treestands-blinds/5-gallon-pail-swivel-seat-top/p-1444430091469.htm>.

“Padded Bucket Seat Lid by Leaktite MfrPartNo. LD7GBK012”; Amazon; retrieved Jan. 26, 2018; published Jul. 10, 2015; URL: <<https://www.amazon.com/PADDED-BUCKET-LEAKTITE-MfrPartNo-LD7GBCBK012Jdp/B011C64TYS>>.

“Allen 5880 Swivel Seat Bucket Lid, Camouflage, 5-Gal.”, Amazon; retrieved Jan. 26, 2018; disclosure date unknown but prior to the filing date of the present application; URL: <<https://www.amazon.com/Allen-Swivel-Bucket-Camouflage-5-Gal/dp/B00RZSYEW0>>.

“Big Game Muddy 360-Degree Swivel Seat (Camo)”; Amazon; retrieved Jan. 26, 2018; disclosure date unknown but prior to the filing date of the present application; URL: <https://www.amazon.com/d/B0037QALHG/ref=sspa_dk_detail_1?psc=1&pd_rd_i=B0037QALHG7pd_rd_wg=BbFBc&pd_rd_wg=BbFBc&pd_rd_r=1HG7WV53XHBPD0MRD7C4&pd_rd_w=d7CTC>.

“Wise Bucket Seat 360 Degree Swivel, Mossy Oak Break-Up Camo”, Amazon; retrieved Jan. 26, 2108; disclosure date unknown but prior to the filing date of the present application: URL: <https://www.amazon.com/Wise-Bucket-Degree-Swivel-Break-Up/dp/B01DS7C716/ref=pd_sbs_200_5?encoding=UTF8&pd_rd_i=B01DS7C716&pd_rd_r=KMBTYTZJVBHDHV0PKJJA&pd_rd_w=I2VKn&pd_rd_wg=wbeIR&psc=1&refRID=KMBTYTZJVBHDHV0PKJJA>.

“5 Gallon White Bucket & Gamma Seal Lid—Food Grade Plastic Pail & Gamma2 Screw Seal Tight Lid”; Amazon; retrieved Jan. 26, 2018; published Oct. 8, 2012; URL: <<https://www.amazon.com/Gallon-White-Bucket-Gamma-Seal/dp/B00FNSUSBU>>.

Pictures of Ballpark Bucket, by Ballpark Bucket, 6 color sheets of photographs, disclosure date unknown but prior to the filing date of the present application.

“Bucket Innovations Swivel Seat Bucket Lid”; Bass Pro Shops; retrieved Jun. 12, 2019; disclosure date unknown but prior to the filing date of the present application; URL: <<https://www.basspro.com/shop/en/bucket-innovations-swivel-seat-bucket-lid>>.

“Evans Sports Woodland Sports Bucket”; Academy Sports + Outdoors; retrieved Jan. 26, 2018; disclosure date unknown but prior to the filing date of the present application; URL: <<https://www.academy.com/shop/pdp/evans-sports-woodland-sports-bucket>>.

“Loadout Lid”; Yeti; retrieved Jan. 26, 2018; disclosure date unknown but prior to the filing date of the present application; URL: <https://www.yeti.com/en_US/accessories/loadout-lid/23040000020.html?CAGPSPN=pla&country=US%EF%BF%BDcy%3DUSD&gclid=EA1a1QobChMIINyl-4H12AIV2BWBCh0q6QhYEAQYAiABEgJ5Qfd_BwE&CATCI=pla-435101740967&CAWELAID=120329620000001584&CAAGID=50404551738>.

“Therm-a-Seat TS303 Heat-A-Seat Warmer 17"—Blaze Orange & Black”; Newegg; retrieved Jun. 12, 2019; disclosure late unknown but prior to the filing date of the present application; URL: <<https://www.newegg.com/p/0C8-00TC-00003?Item=9SIA05Y5TC1592&Tpk=9SIA05Y5TC1592>>.

“Red & White Swivel Seat for 5 Gallon Buckets | U.S. Plastic Corporation®”; YouTube; retrieved Jan. 26, 2018; published Feb. 7, 2017; URL: <<https://www.youtube.com/watch?v=VZ9M-SpG0VA>>.

“Silent Spin Bucket Seat”; Cabella’s®; retrieved Jan. 26, 2018; disclosure date unknown but prior to the filing date of the present application; URL: <<http://www.cabelas.com/product/Silent-Spin-Bucket-Seat/706788.uts>>.

* cited by examiner

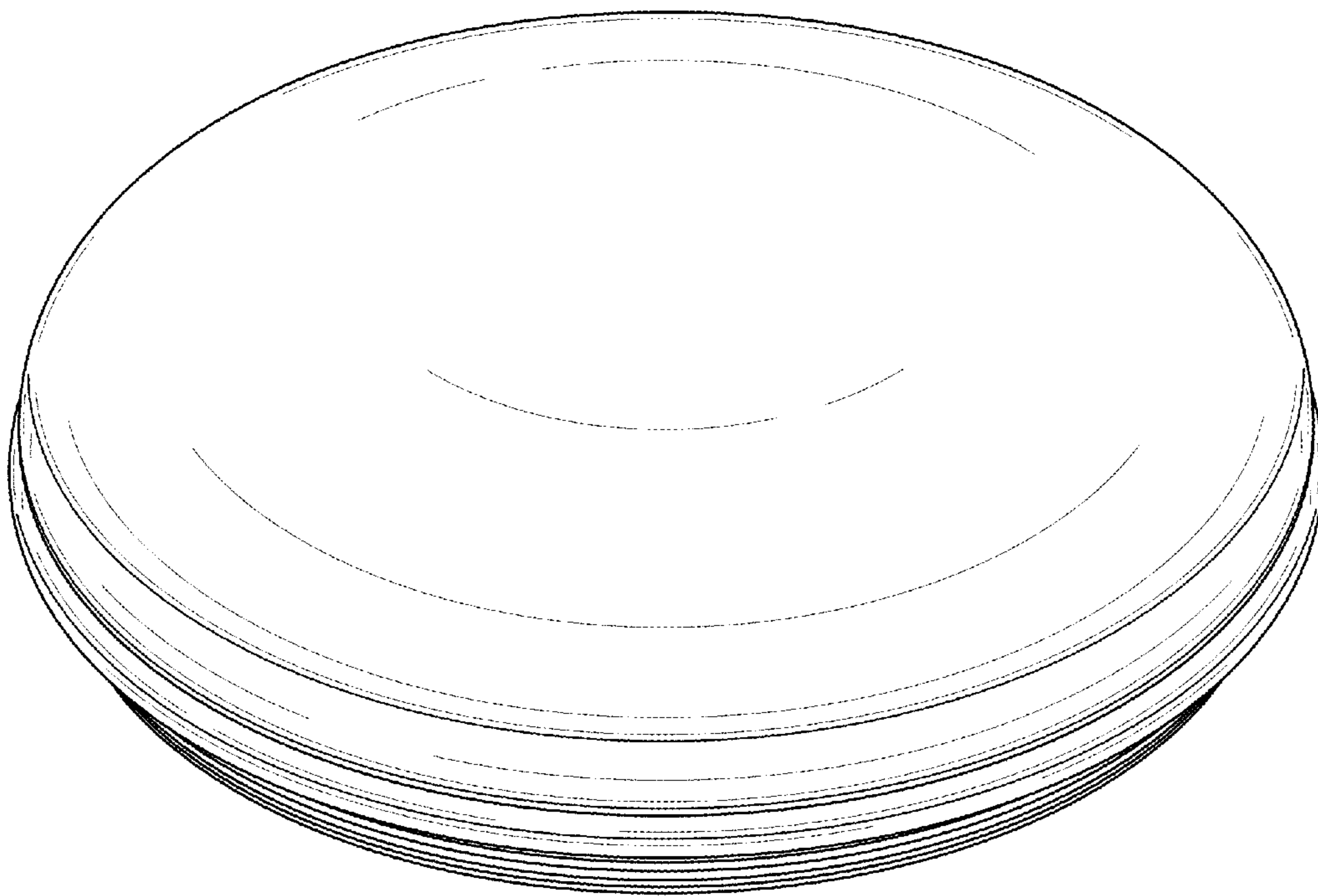


FIG. 1

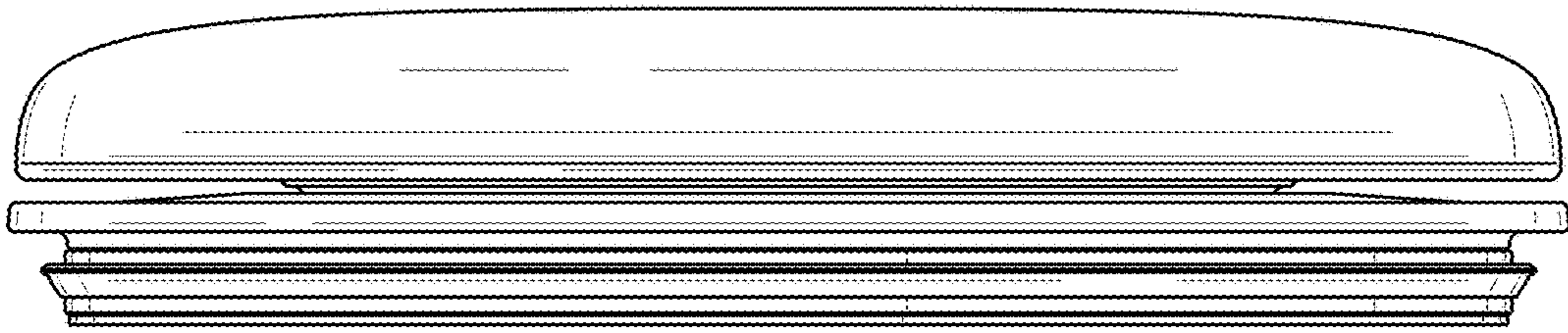


FIG. 2

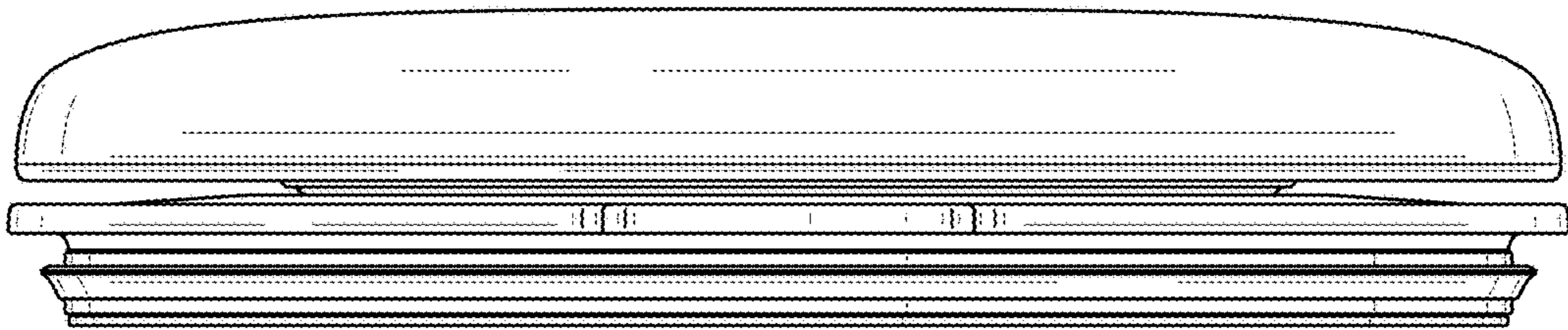


FIG. 3

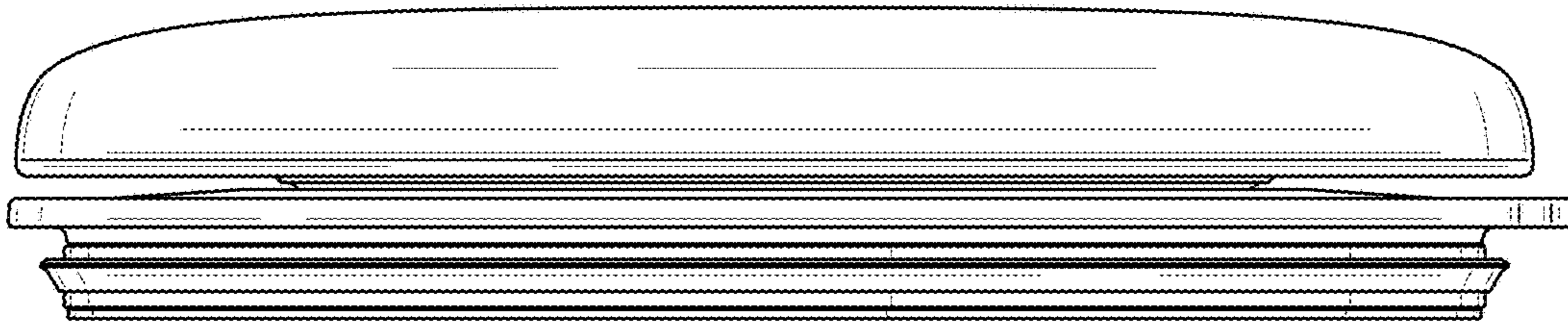


FIG. 4

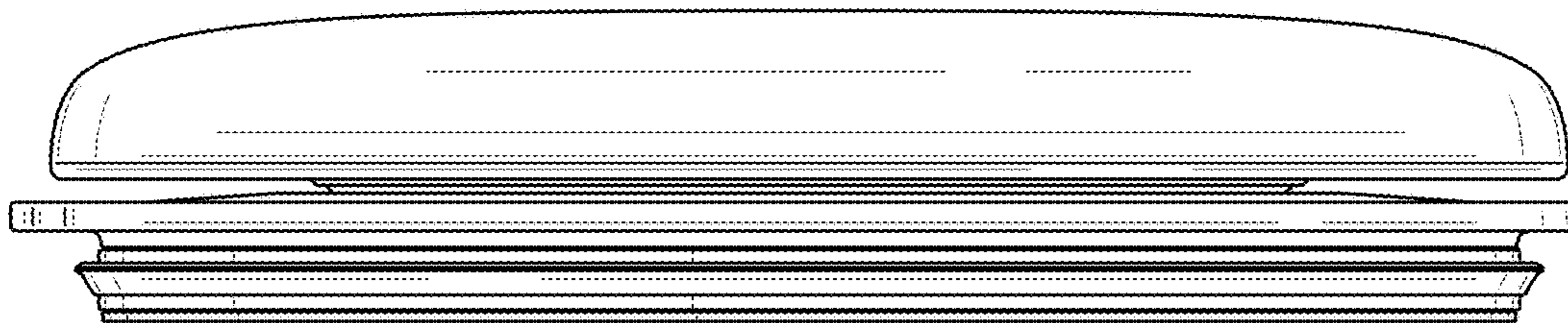


FIG. 5

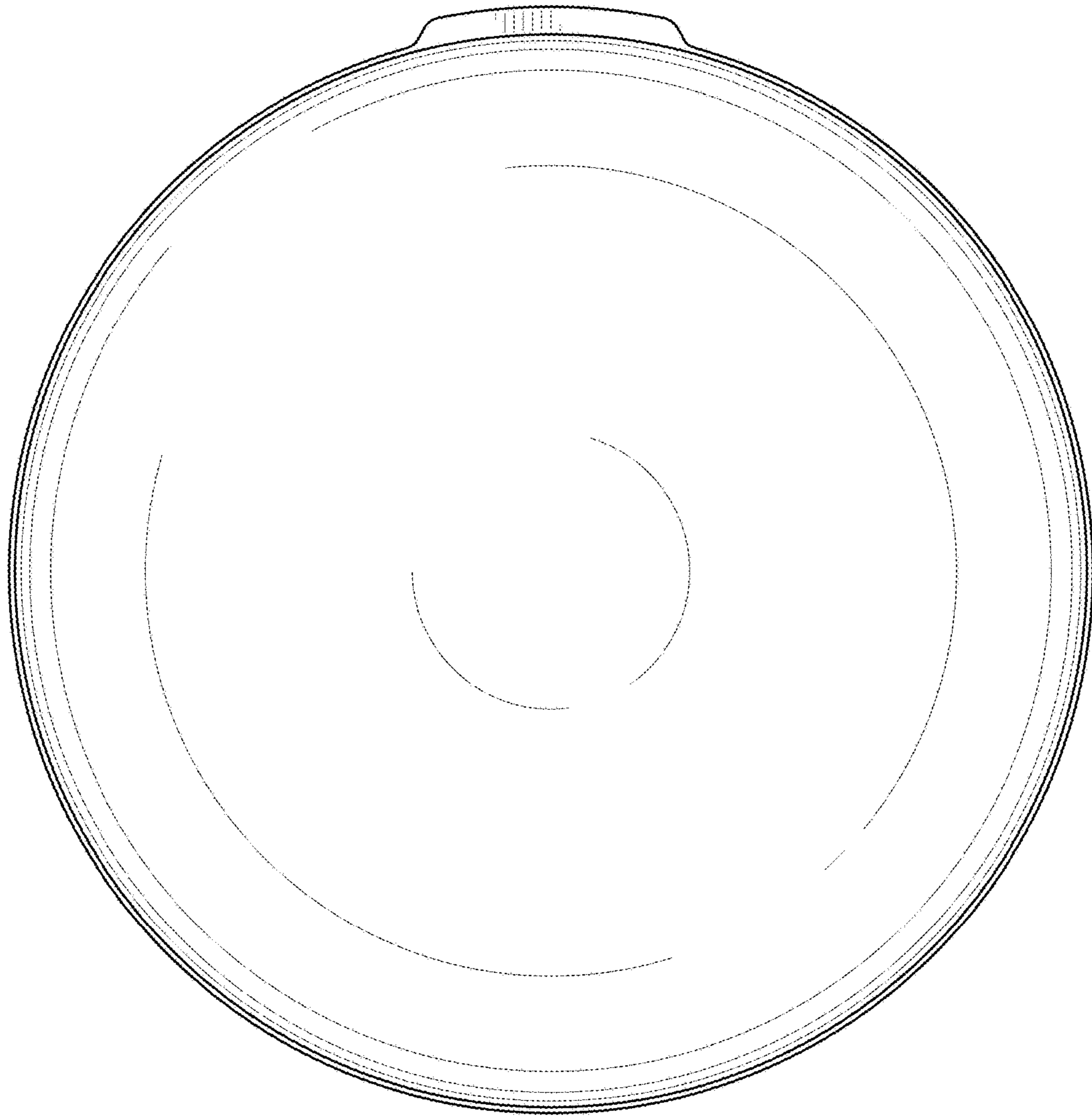


FIG. 6

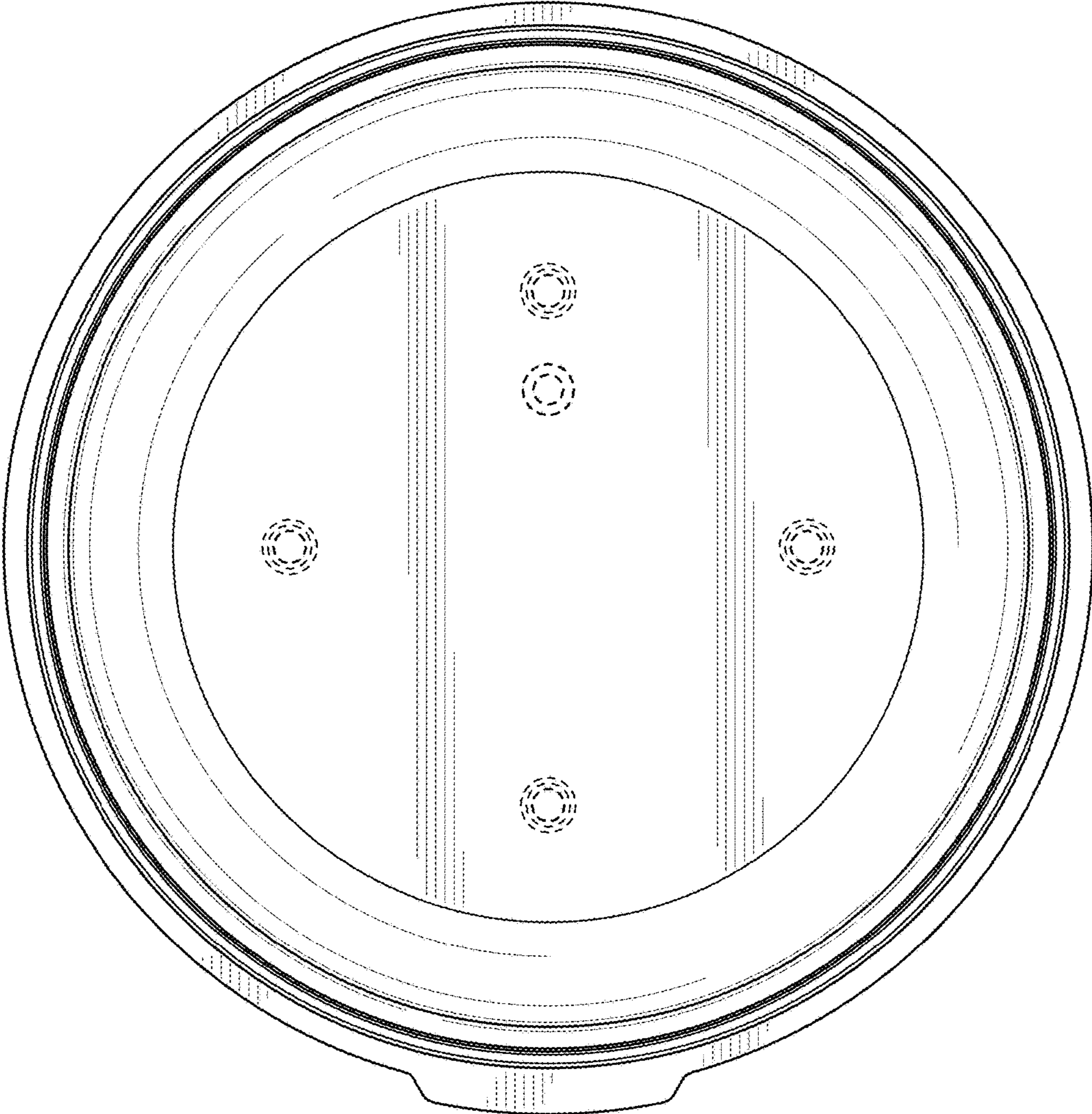


FIG. 7

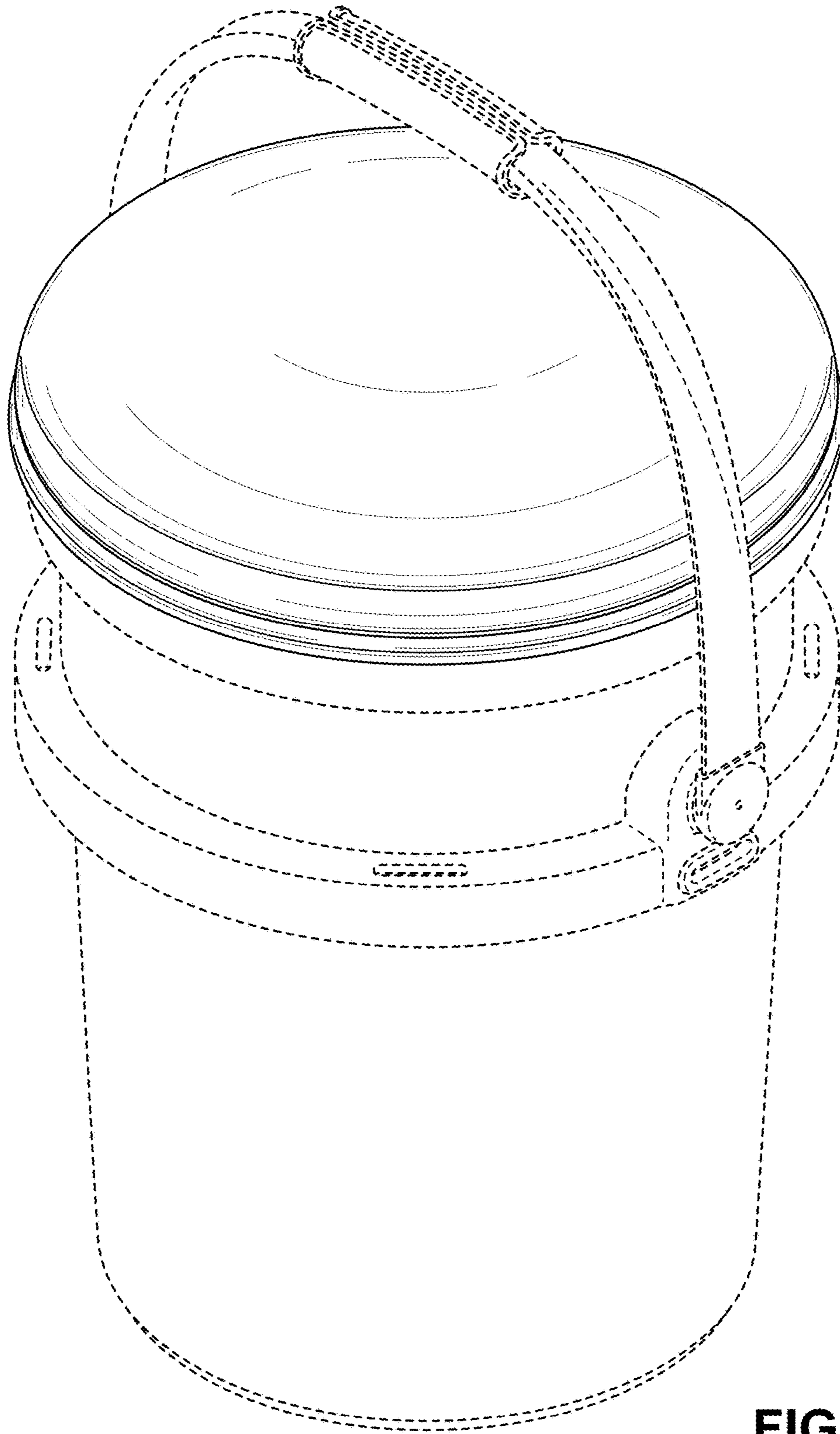


FIG. 8

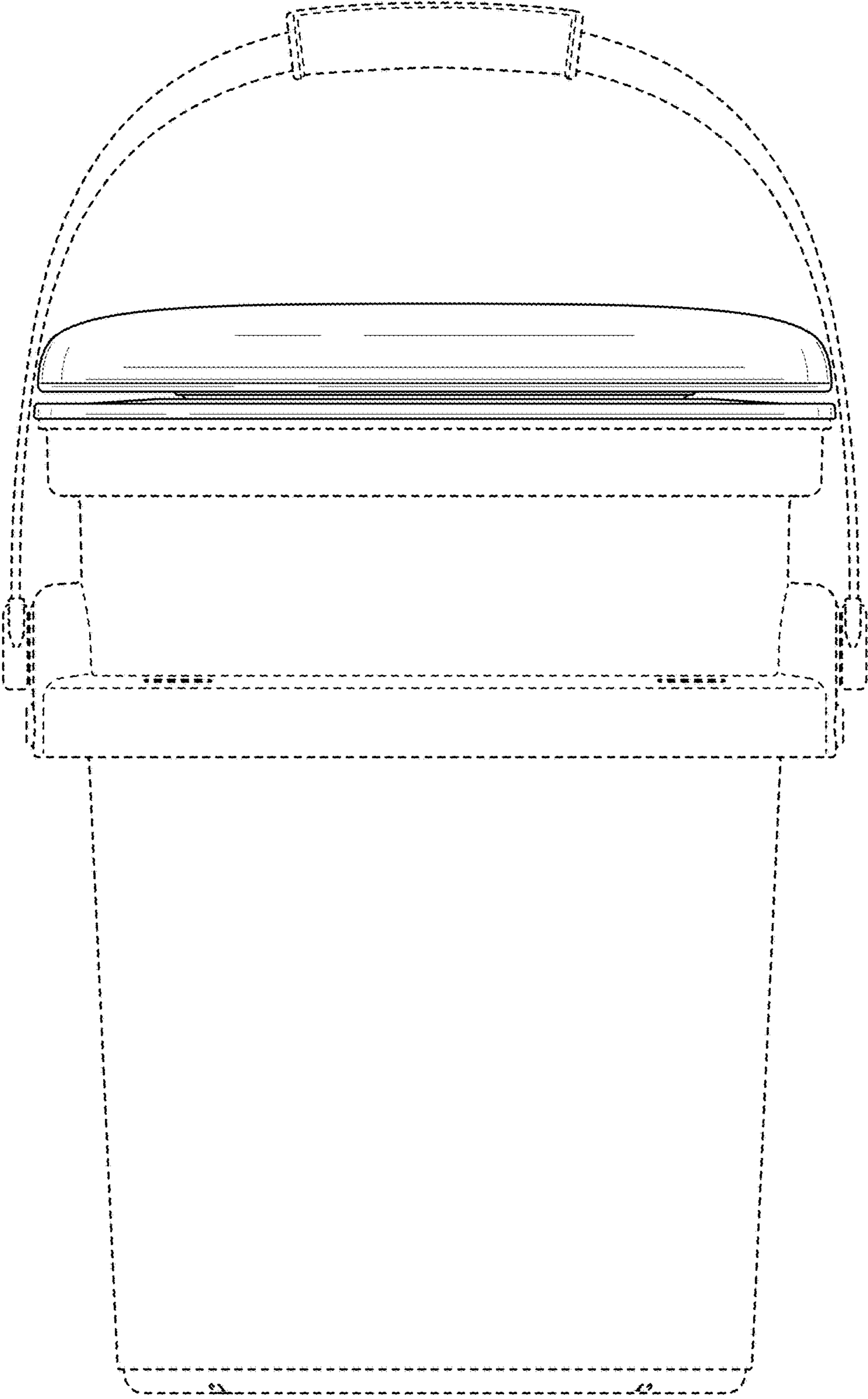


FIG. 9

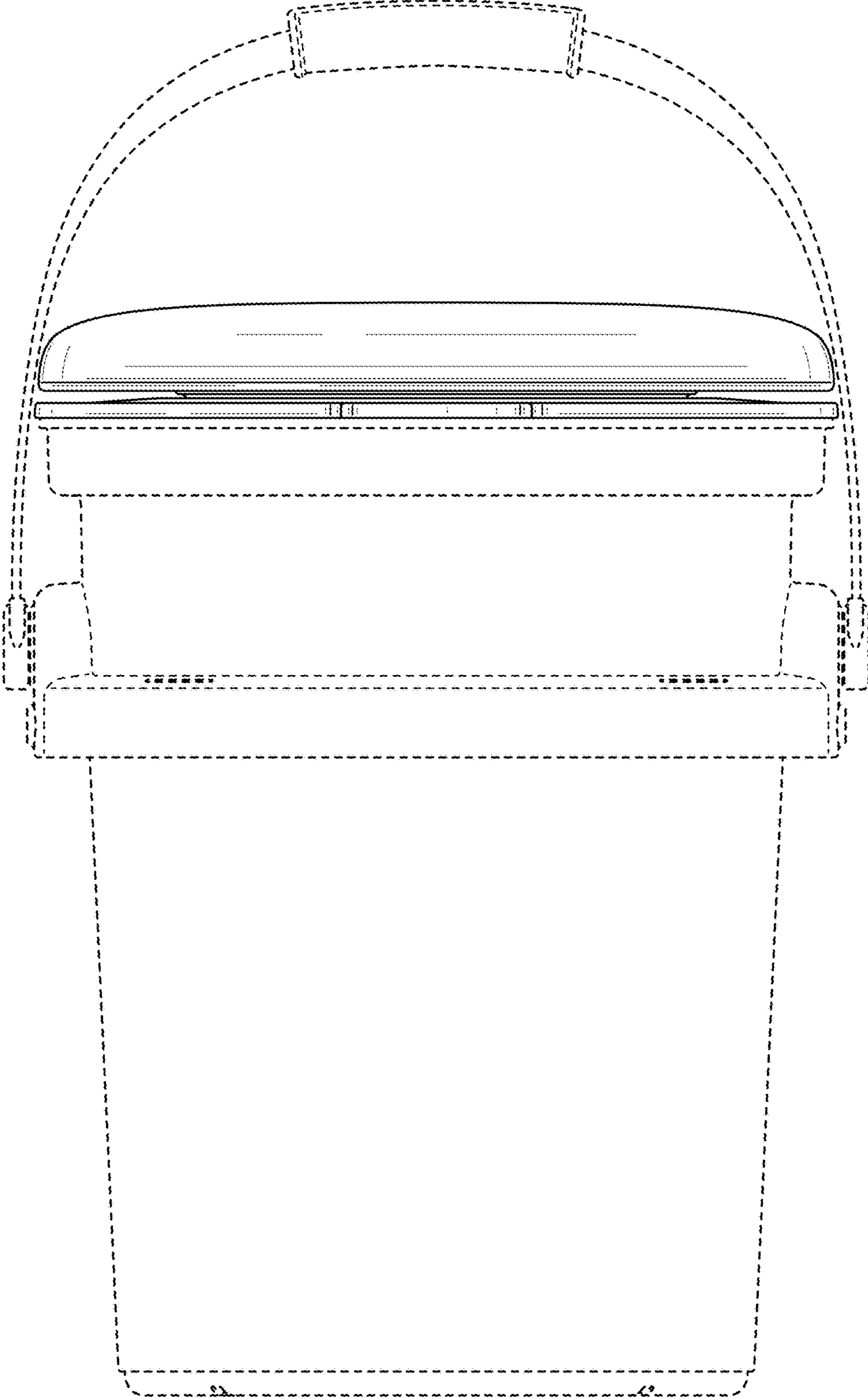


FIG. 10

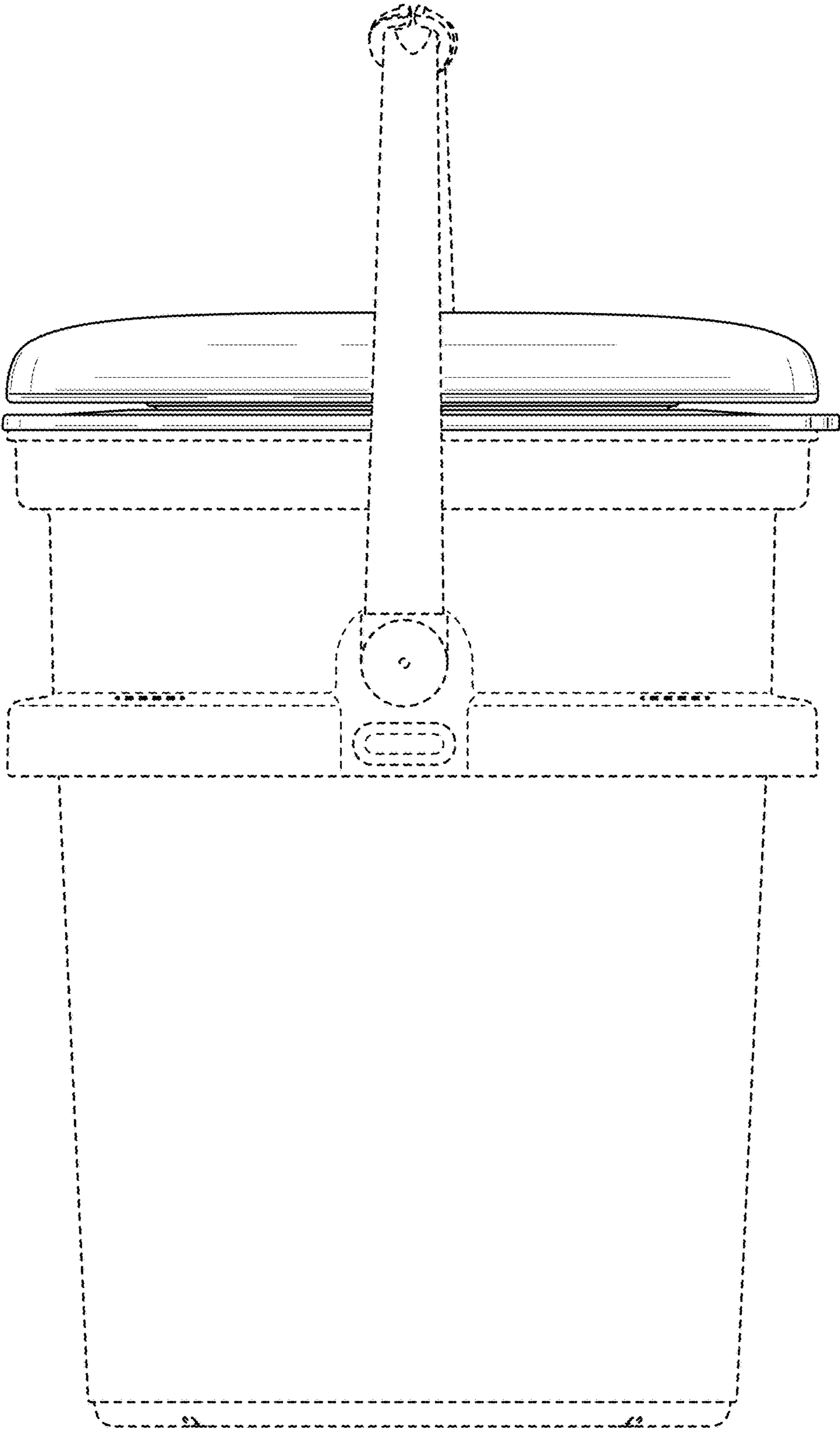


FIG. 11

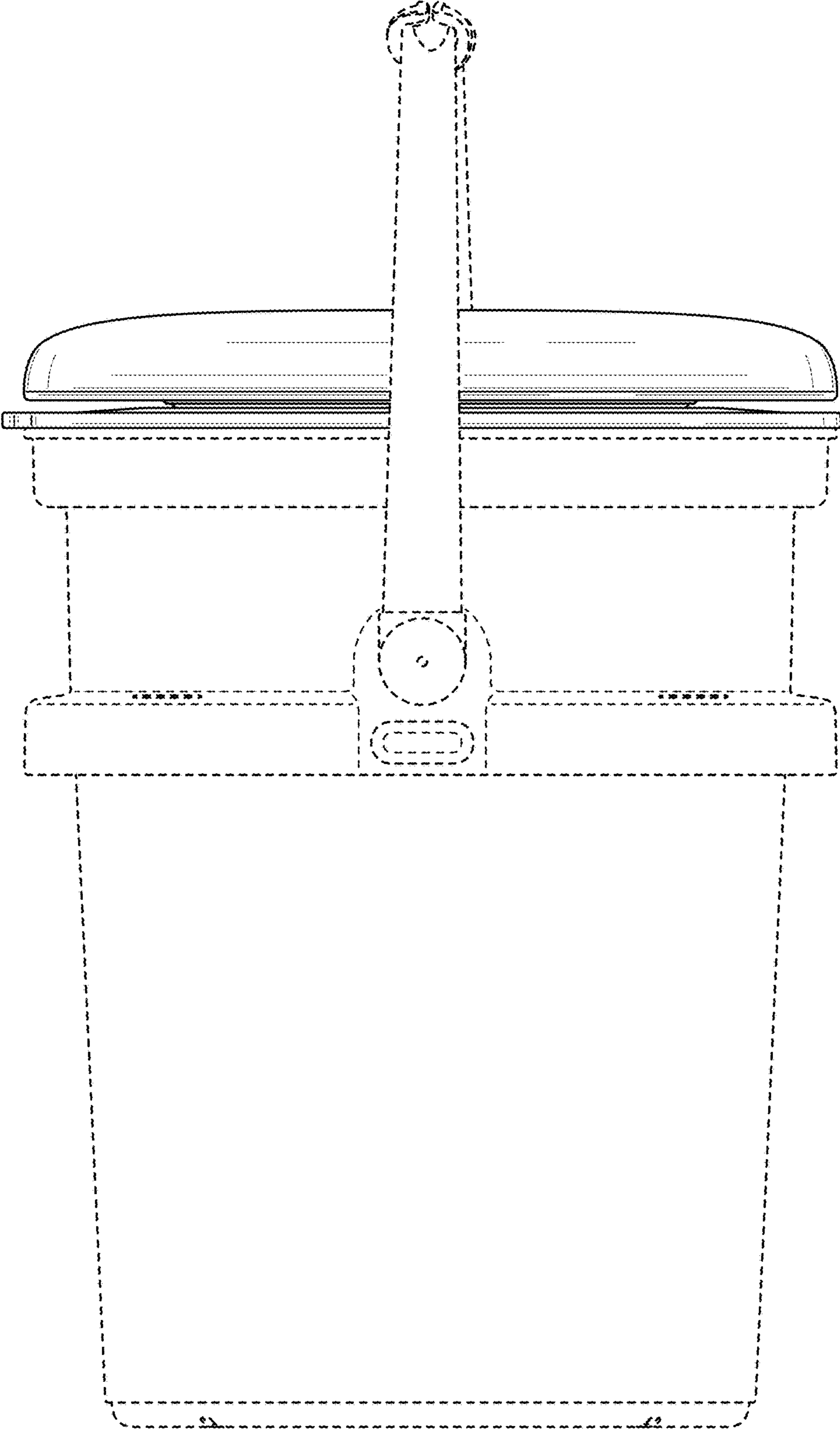


FIG. 12

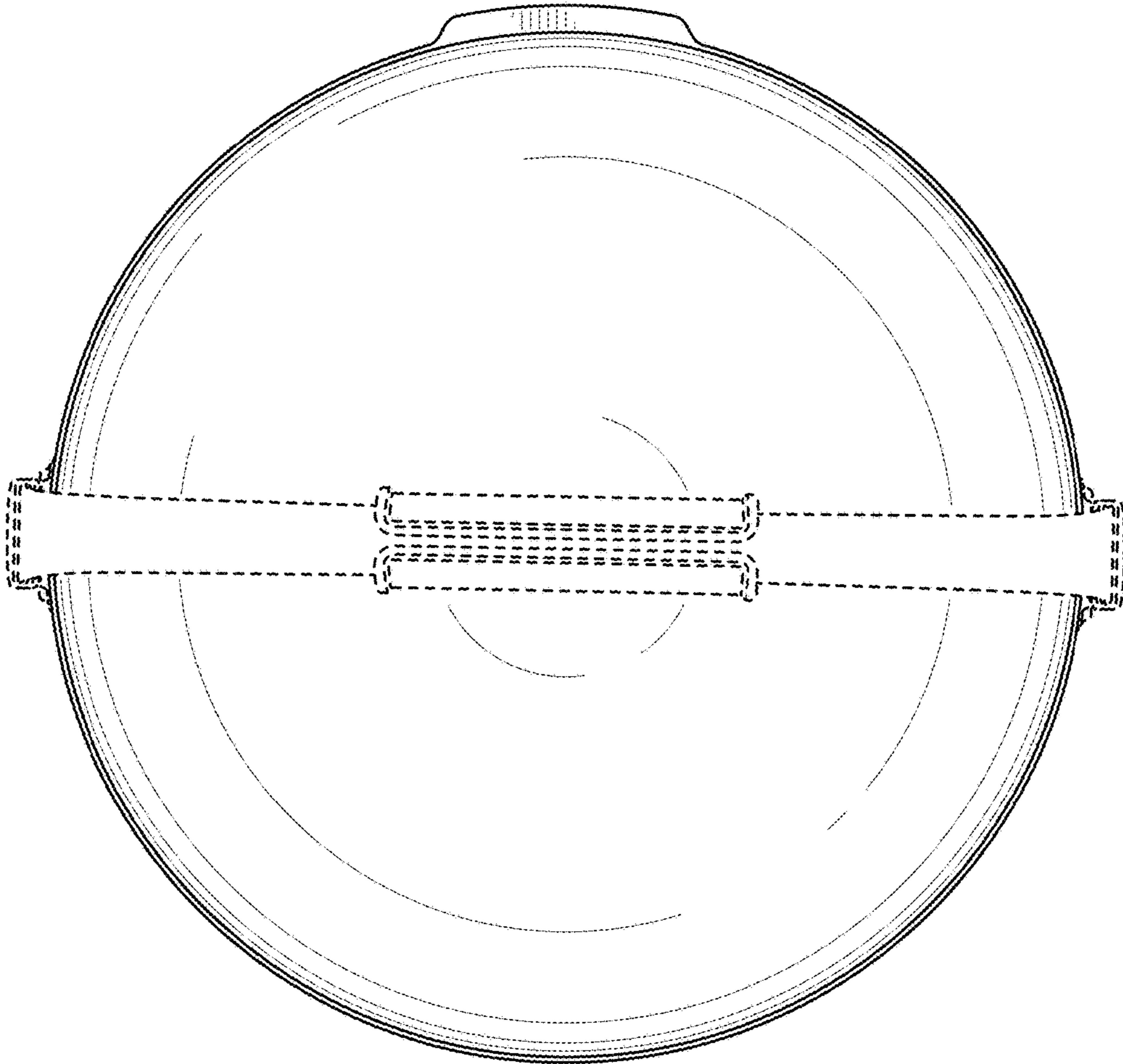


FIG. 13

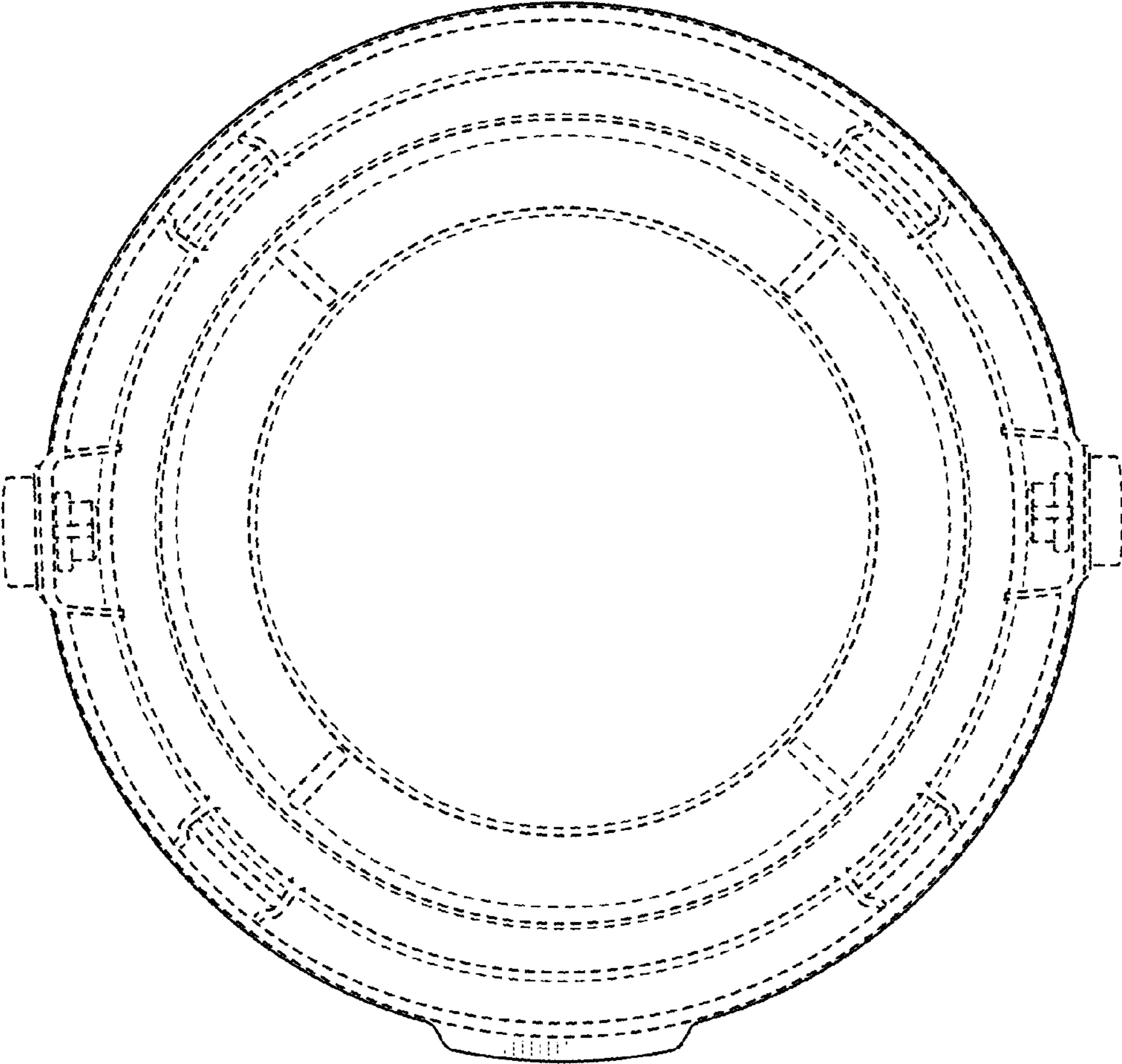


FIG. 14