

US00D864641S

(12) **United States Design Patent** (10) **Patent No.:** **US D864,641 S**  
**Geelen** (45) **Date of Patent:** **\*\* Oct. 29, 2019**

(54) **OFFICE CHAIR**

(56) **References Cited**

(71) Applicant: **BOCK 1 GMBH & CO. KG,**  
Postbauer-Heng (DE)

(72) Inventor: **Norbert Geelen,** Straelen (DE)

(73) Assignee: **BOCK 1 GMBH & CO. KG,**  
Postbauer-Heng (DE)

(\*\*) Term: **15 Years**

(21) Appl. No.: **29/624,617**

(22) Filed: **Nov. 2, 2017**

U.S. PATENT DOCUMENTS

|               |         |                    |            |
|---------------|---------|--------------------|------------|
| D240,375 S *  | 7/1976  | Buhk .....         | D6/366     |
| 6,149,236 A * | 11/2000 | Brauning .....     | A47C 1/031 |
|               |         |                    | 297/301.1  |
| D509,969 S *  | 9/2005  | Loew .....         | D6/366     |
| D535,126 S *  | 1/2007  | Loew .....         | D6/366     |
| D567,522 S *  | 4/2008  | Igarashi .....     | D6/366     |
| D666,841 S *  | 9/2012  | Czumaj-Bront ..... | D6/366     |
| D710,640 S *  | 8/2014  | Usumoto .....      | A47C 1/031 |
|               |         |                    | D6/366     |
| D816,363 S *  | 5/2018  | Su .....           | D6/366     |
| D824,710 S *  | 8/2018  | Geelen .....       | D6/716     |

\* cited by examiner

*Primary Examiner* — Mary Ann Calabrese

(74) *Attorney, Agent, or Firm* — Laurence A. Greenberg;  
Werner H. Stemer; Ralph E. Locher

**Related U.S. Application Data**

(62) Division of application No. 35/501,728, filed on Jul. 14, 2016 (U.S. filing date under 35 U.S.C. 384), and having an international filing date of Jul. 14, 2016, now Pat. No. Des. 824,710.

(57) **CLAIM**

The ornamental design for an office chair, as shown and described.

(30) **Foreign Application Priority Data**

Jun. 10, 2016 (DE) ..... 40 2016 100 753

(51) **LOC (12) Cl.** ..... **06-01**

(52) **U.S. Cl.**  
USPC ..... **D6/716**

(58) **Field of Classification Search**  
USPC ..... D6/334, 364–367, 374–376, 702, 716,  
D6/716.1

CPC .... A47C 1/00; A47C 3/00; A47C 3/04; A47C  
4/00; A47C 7/00; A47C 7/002; A47C  
7/02

See application file for complete search history.

**DESCRIPTION**

FIG. 1 is a front perspective view of the office chair showing my new invention;  
FIG. 2 is a front elevation view thereof;  
FIG. 3 is a rear elevation view thereof;  
FIG. 4 is a left side elevation view thereof;  
FIG. 5 is a right side elevation view thereof;  
FIG. 6 is a top plan view thereof; and,  
FIG. 7 is a bottom plan view thereof.  
In the drawings, the broken lines represent portions of the office chair that form no part of the claimed design.

**1 Claim, 7 Drawing Sheets**

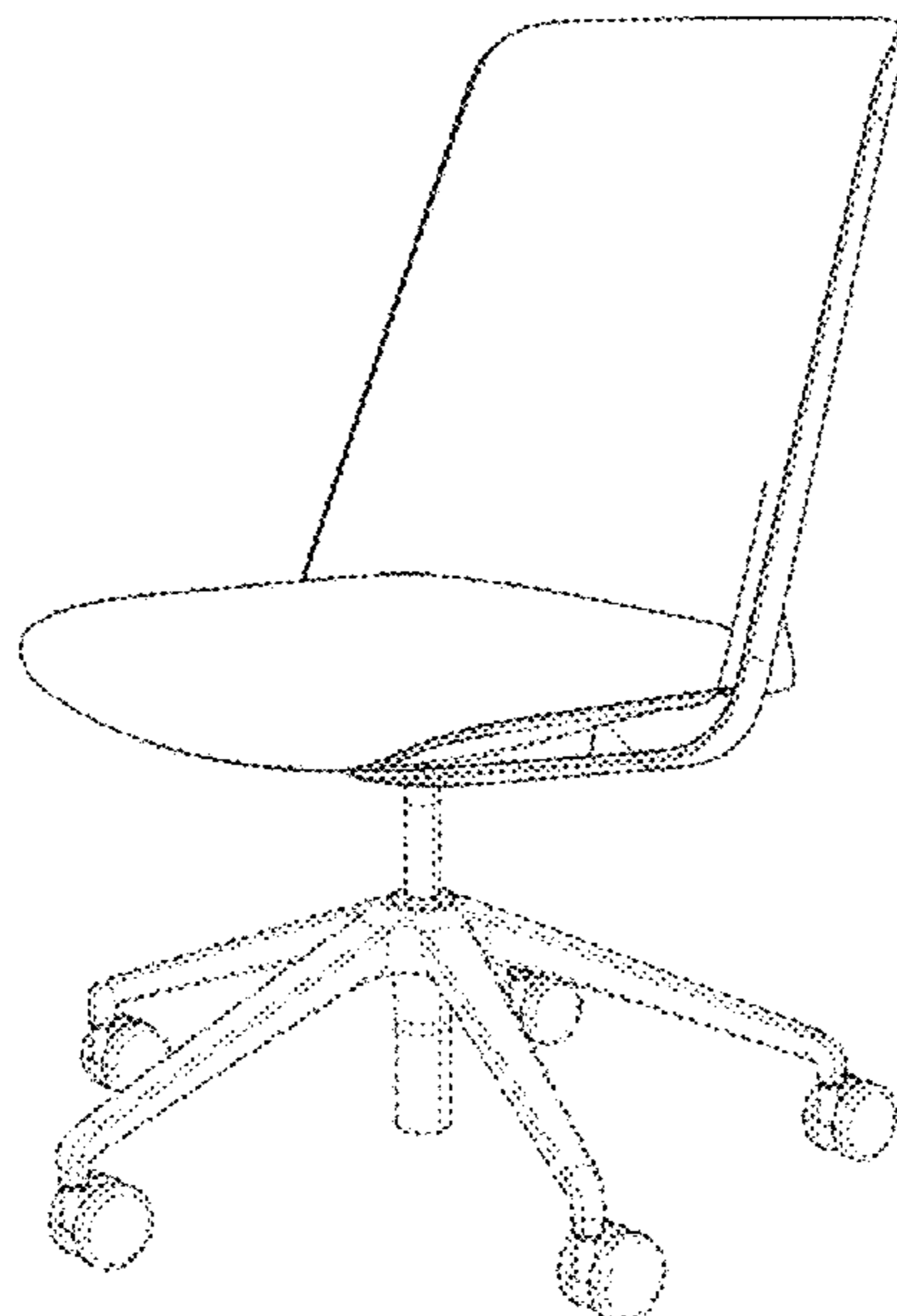


FIG. 1

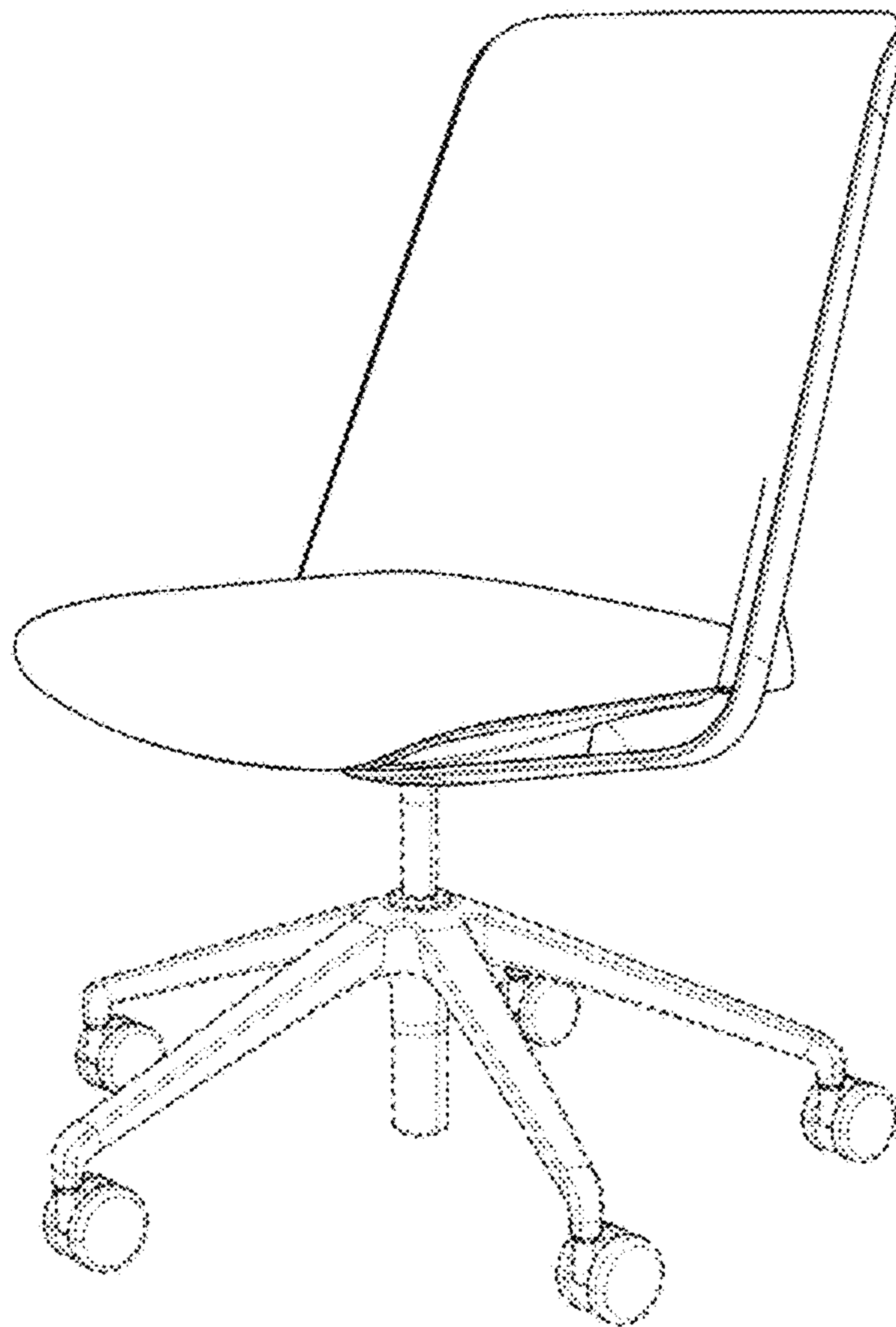


FIG. 2

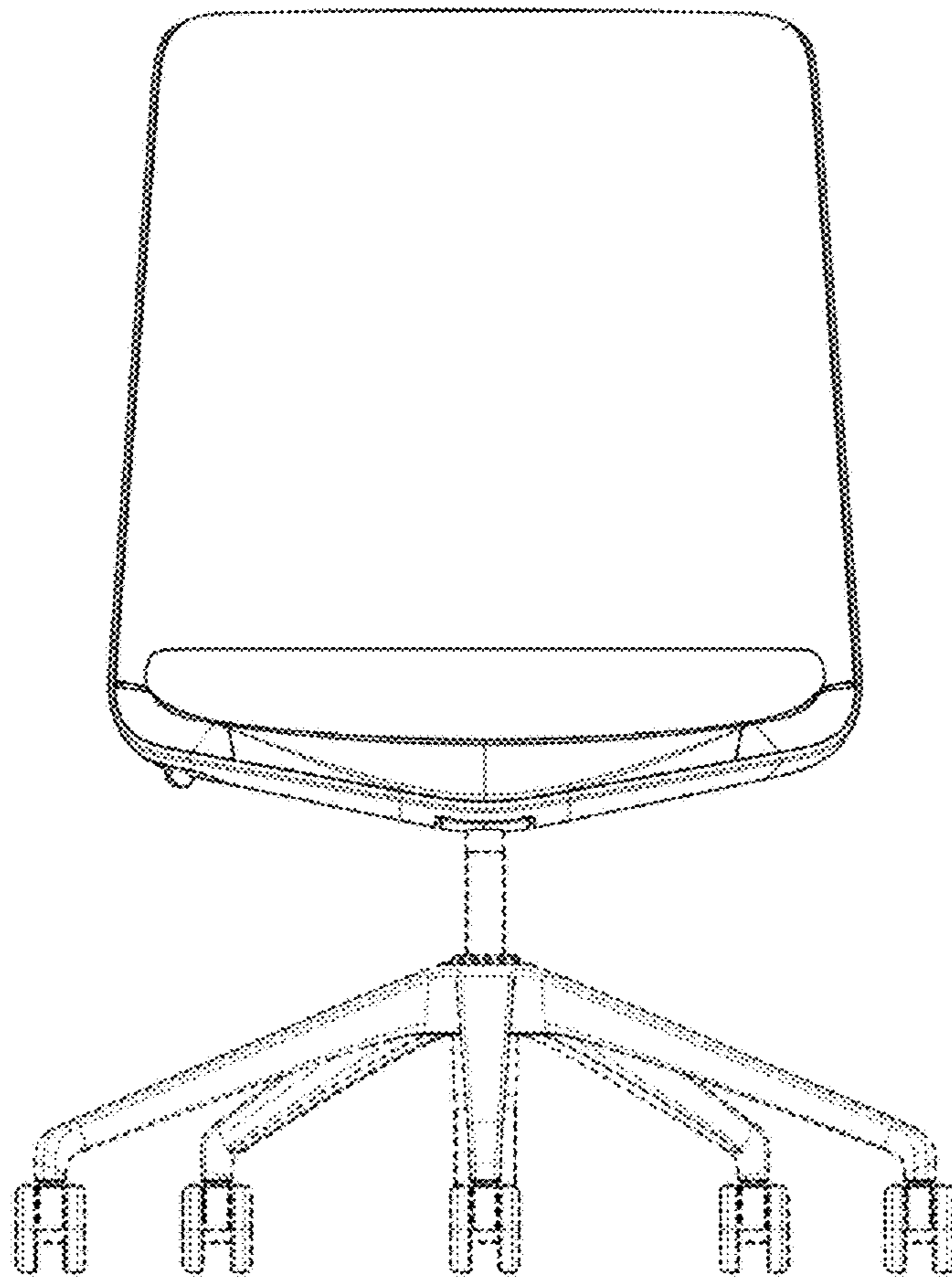


FIG. 3

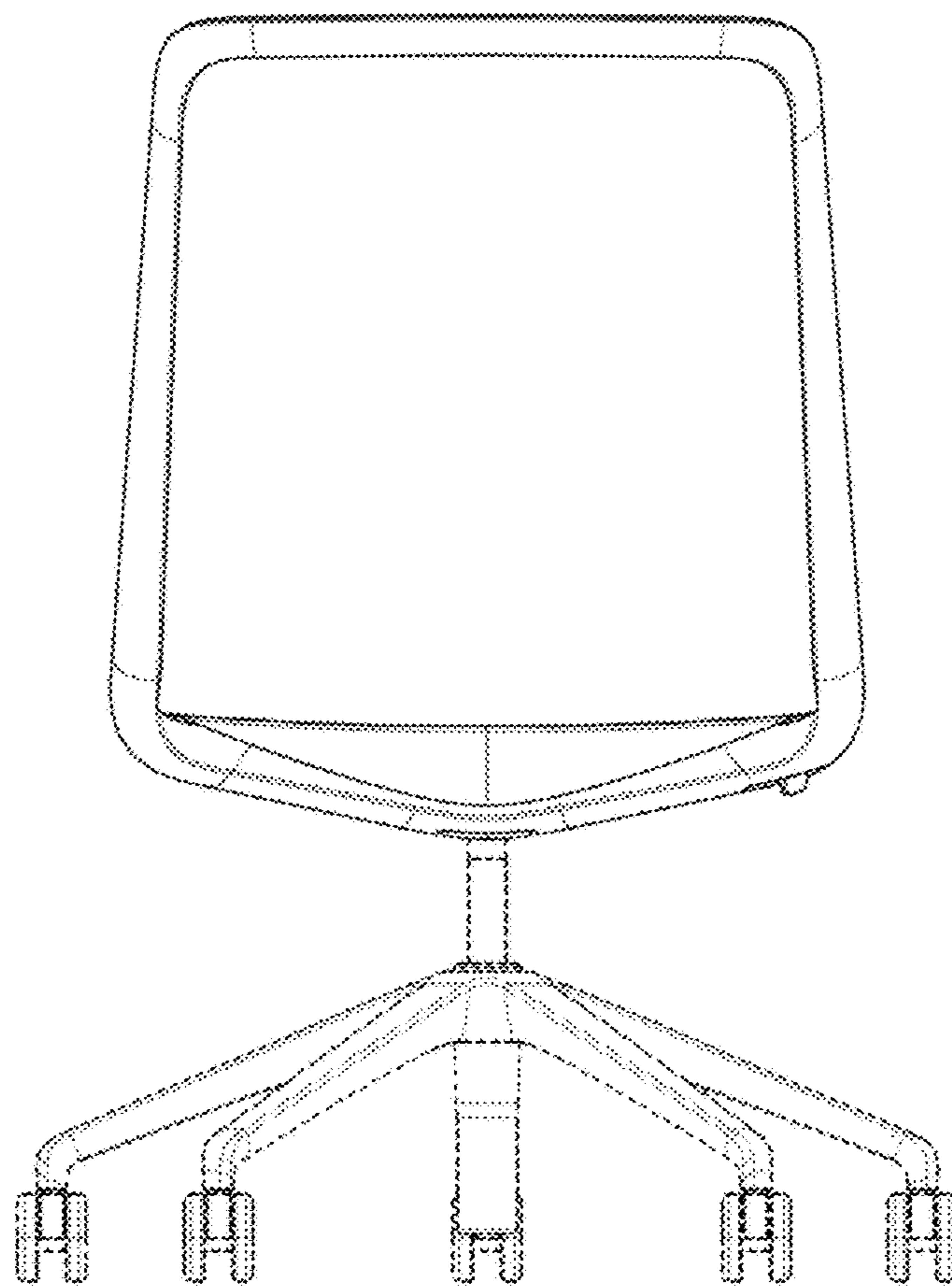


FIG. 4

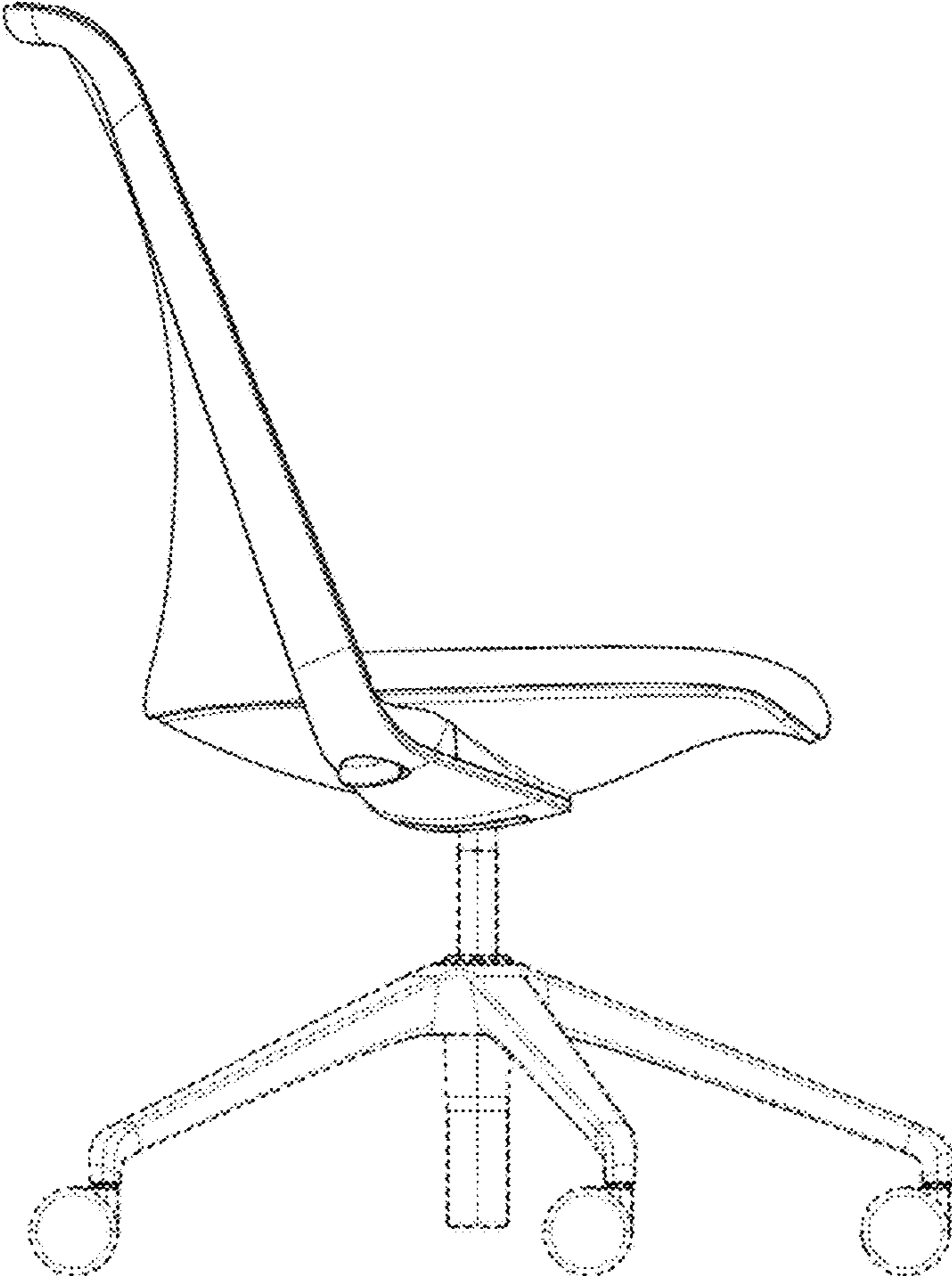


FIG. 5

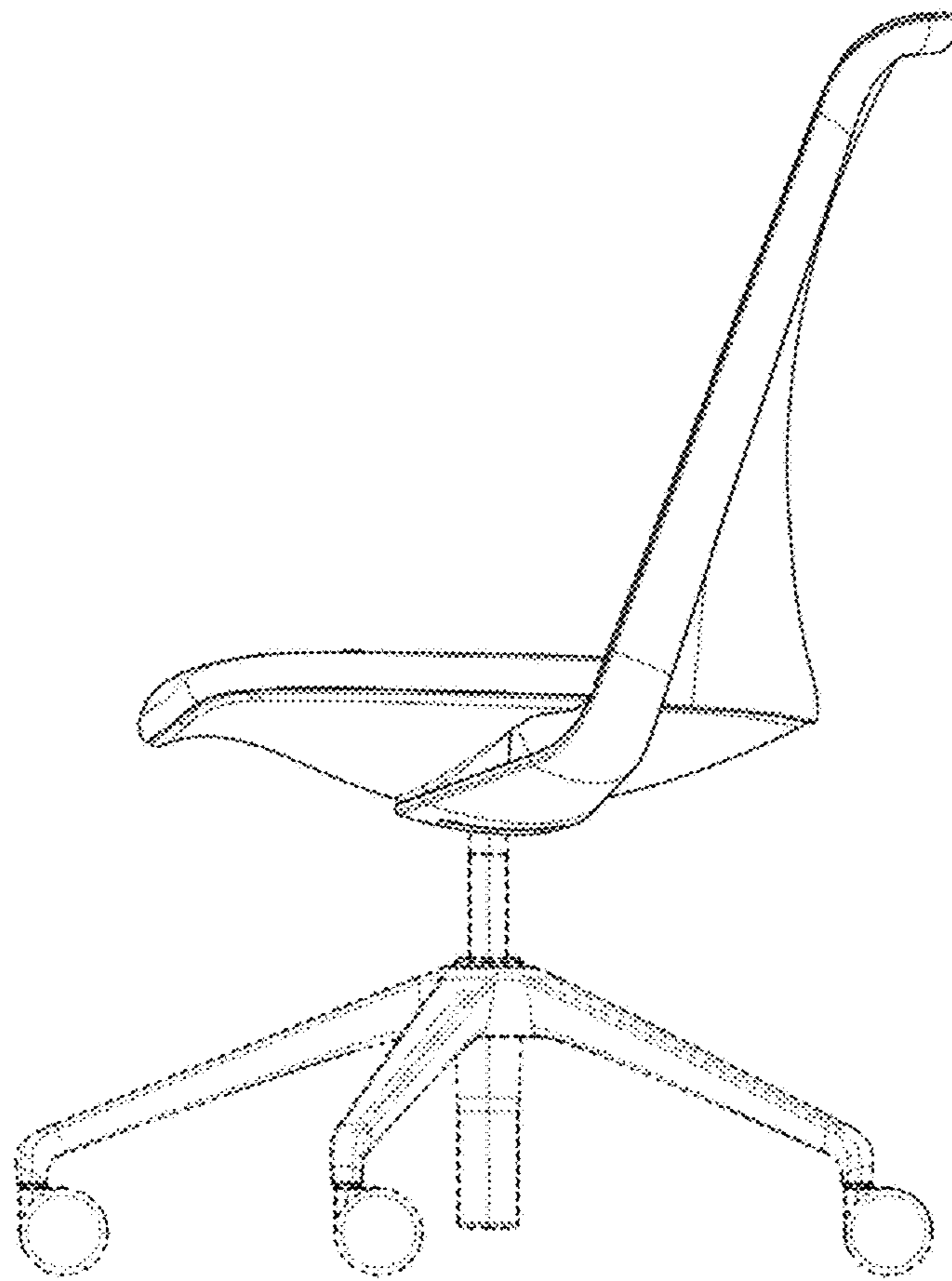


FIG. 6

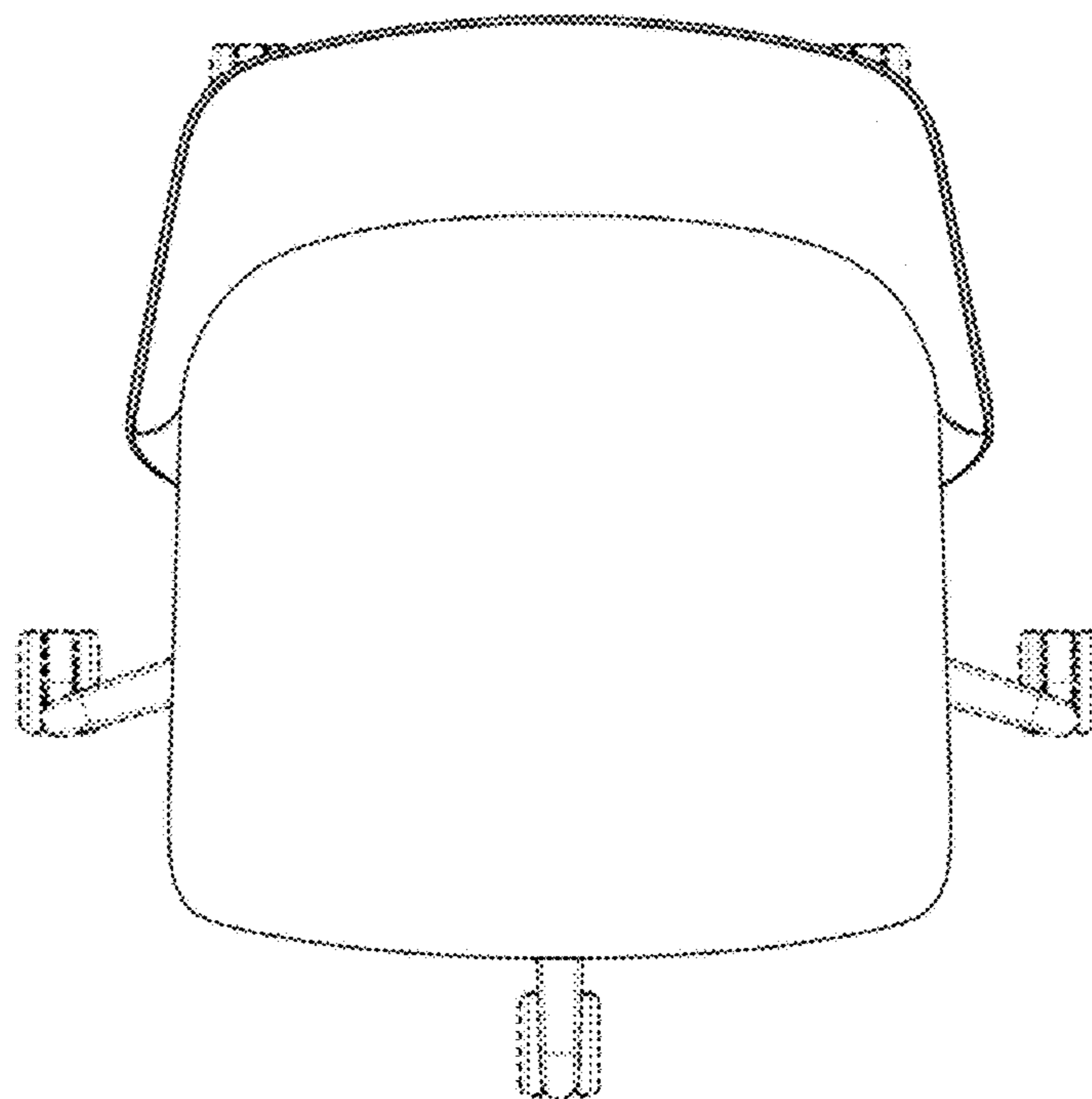


FIG. 7

