

US00D864639S

(12) **United States Design Patent** (10) **Patent No.:** **US D864,639 S**
Snell et al. (45) **Date of Patent:** **** Oct. 29, 2019**

(54) **CHAIR**
(71) Applicant: **Birmingham City University,**
Birmingham (GB)
(72) Inventors: **Richard John Snell,** Birmingham
(GB); **David Edwin Rowe,**
Worcestershire (GB)
(73) Assignee: **Birmingham City University,**
Birmingham (GB)
(**) Term: **15 Years**
(21) Appl. No.: **29/612,078**
(22) Filed: **Jul. 28, 2017**
(51) **LOC (12) Cl.** **06-01**
(52) **U.S. Cl.**
USPC **D6/716; D6/374**
(58) **Field of Classification Search**
USPC D6/334-336, 374, 376, 379, 380, 716,
D6/716.1, 716.2, 716.4
CPC A47C 3/04; A47C 4/02; A47C 4/03; A47C
5/04; A47C 5/06; A47C 7/40; A47C 7/54
See application file for complete search history.

D195,620 S * 7/1963 Chapman D6/374
D213,191 S * 1/1969 Koch D6/716
D455,571 S * 4/2002 Van De Riet D6/380
D643,225 S * 8/2011 Hurford D6/376
D673,395 S * 1/2013 Piretti D6/716.1
D841,354 S * 2/2019 Rassat D6/380

* cited by examiner

Primary Examiner — Mimosa De

(74) *Attorney, Agent, or Firm* — TraskBritt

(57) **CLAIM**

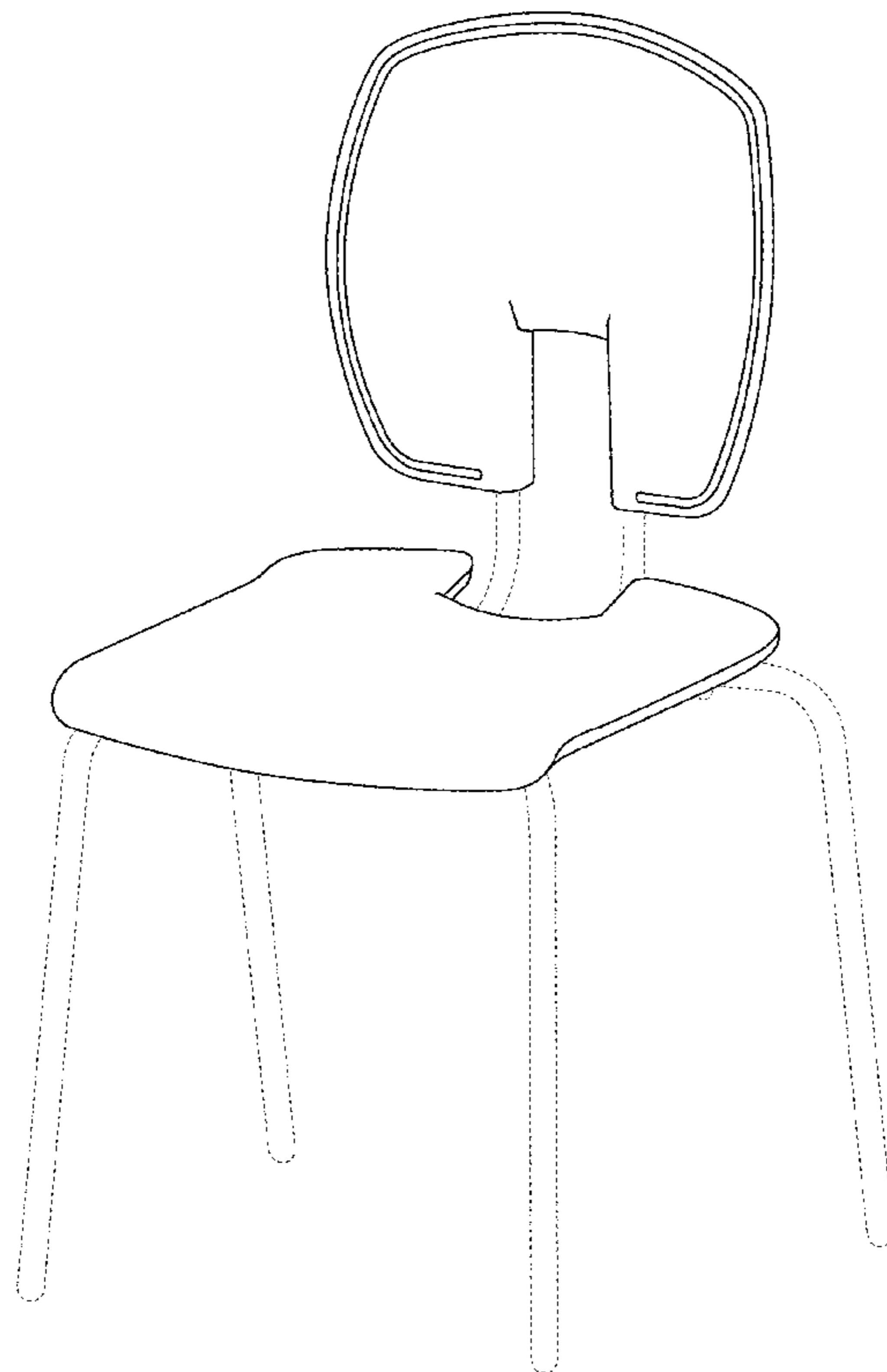
The ornamental design for a chair, as shown and described.

DESCRIPTION

FIG. 1 is a perspective view of a chair according to our design;
FIG. 2 is a front view of the chair shown in FIG. 1;
FIG. 3 is a back view of the chair shown in FIG. 1;
FIG. 4 is a left side view of the chair shown in FIG. 1;
FIG. 5 is a right side view of the chair shown in FIG. 1;
FIG. 6 is a top view of the chair shown in FIG. 1; and,
FIG. 7 is a bottom view of the chair shown in FIG. 1.
The broken lines in FIGS. 1-7 are for environmental purposes only and do not form any part of the claimed design.

1 Claim, 7 Drawing Sheets

(56) **References Cited**
U.S. PATENT DOCUMENTS
D171,116 S * 12/1953 Adkinson D6/374
D181,241 S * 10/1957 Swanson D6/374



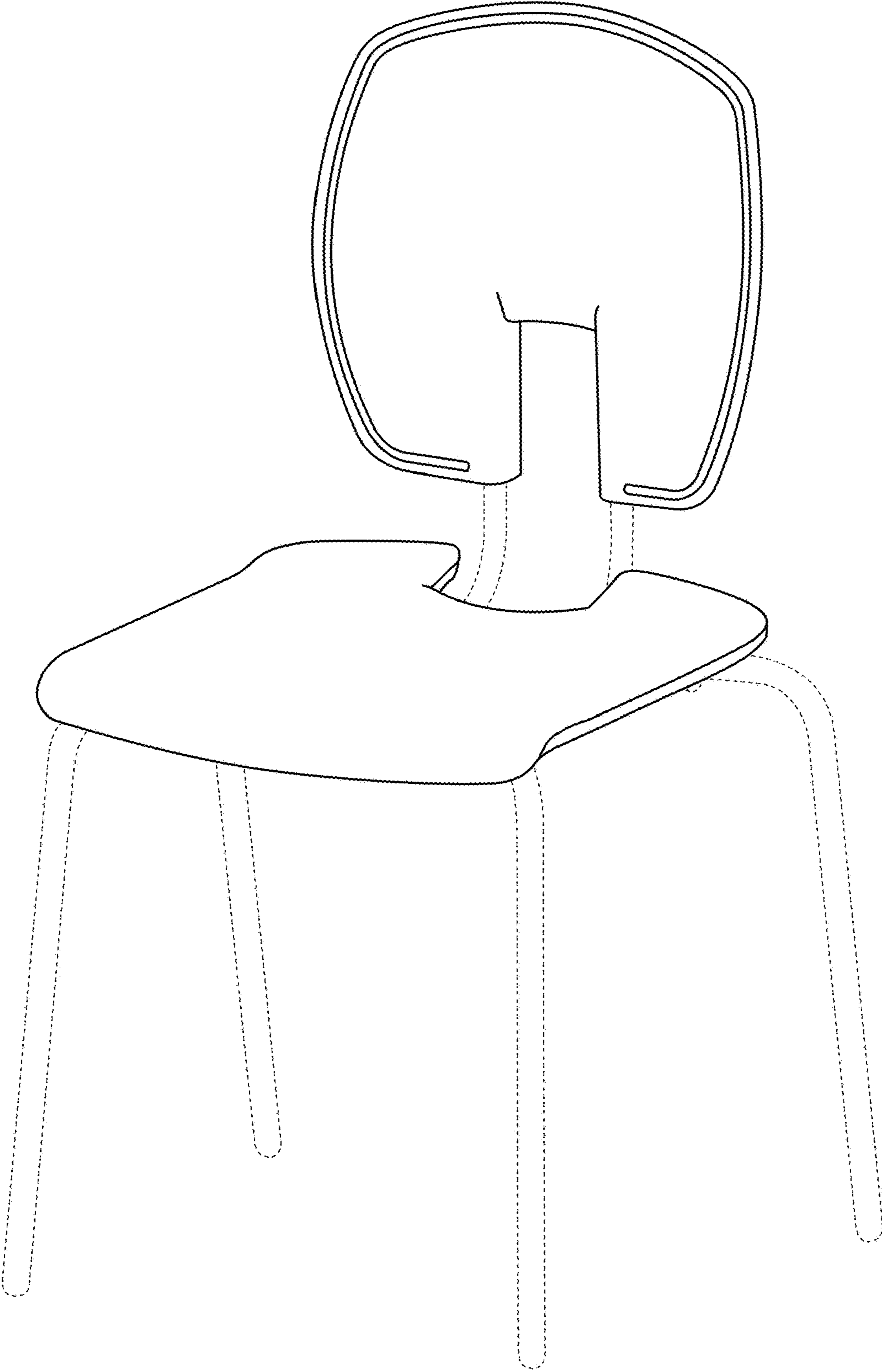


FIG. 1

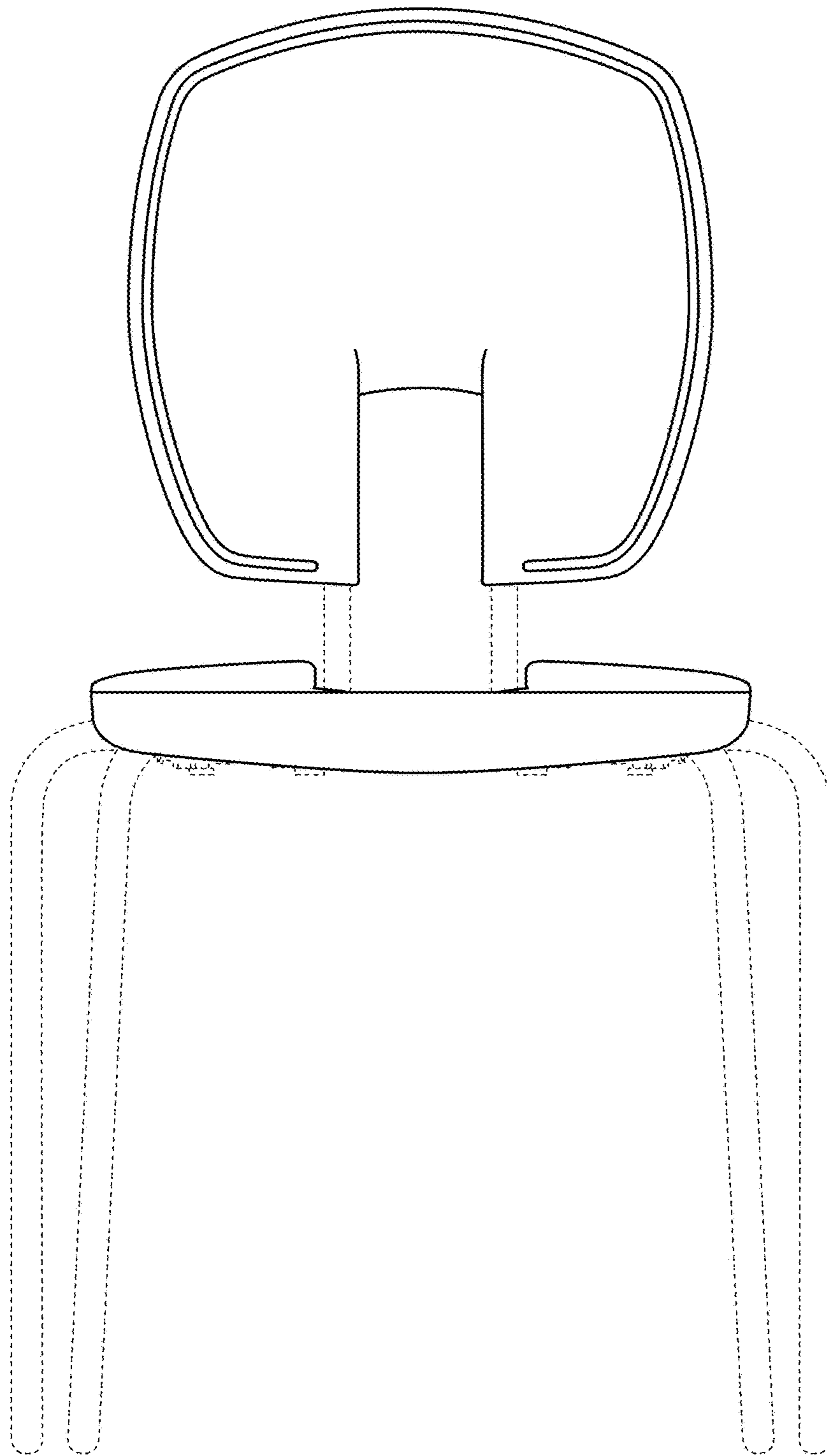


FIG. 2

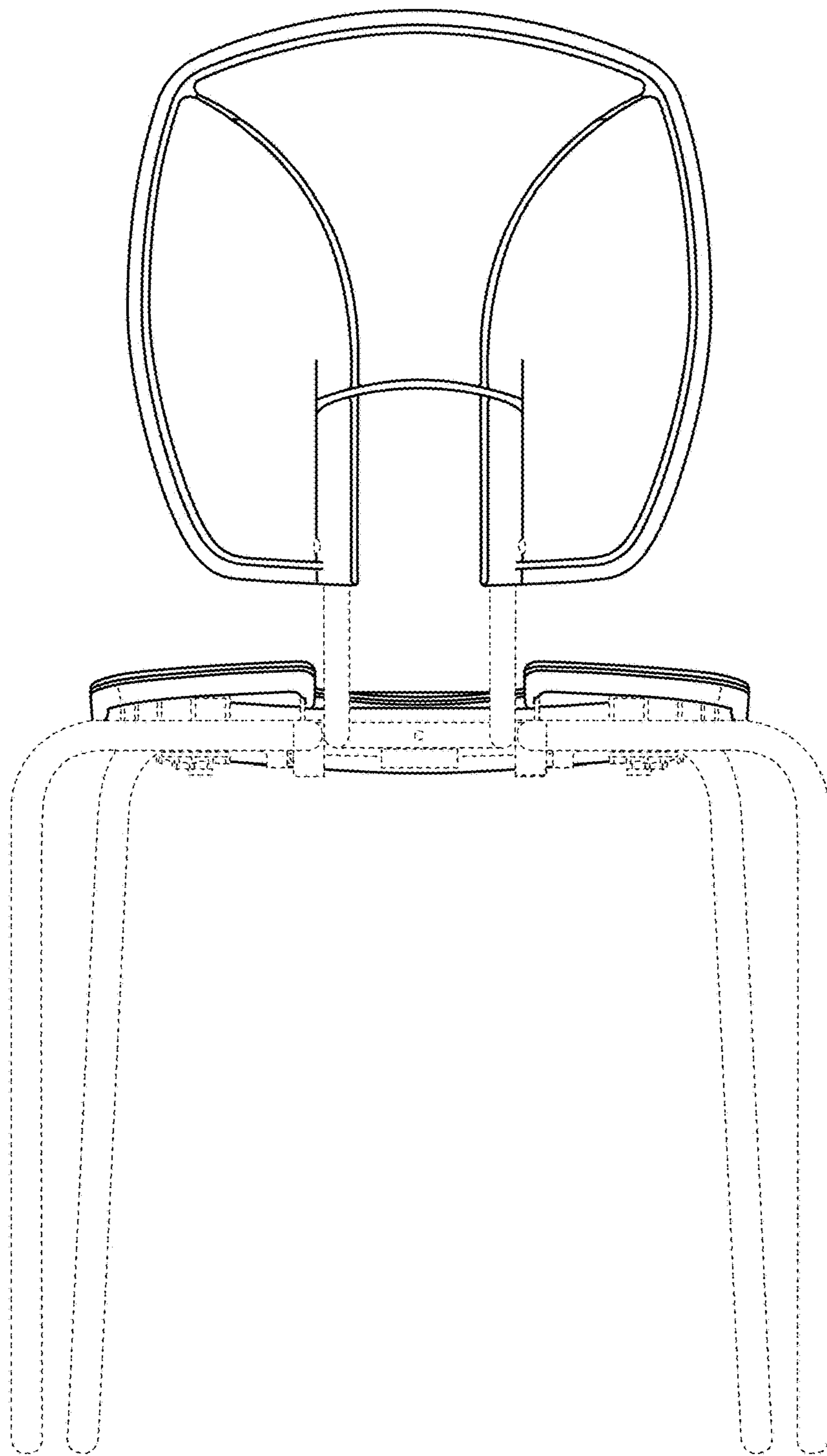


FIG. 3

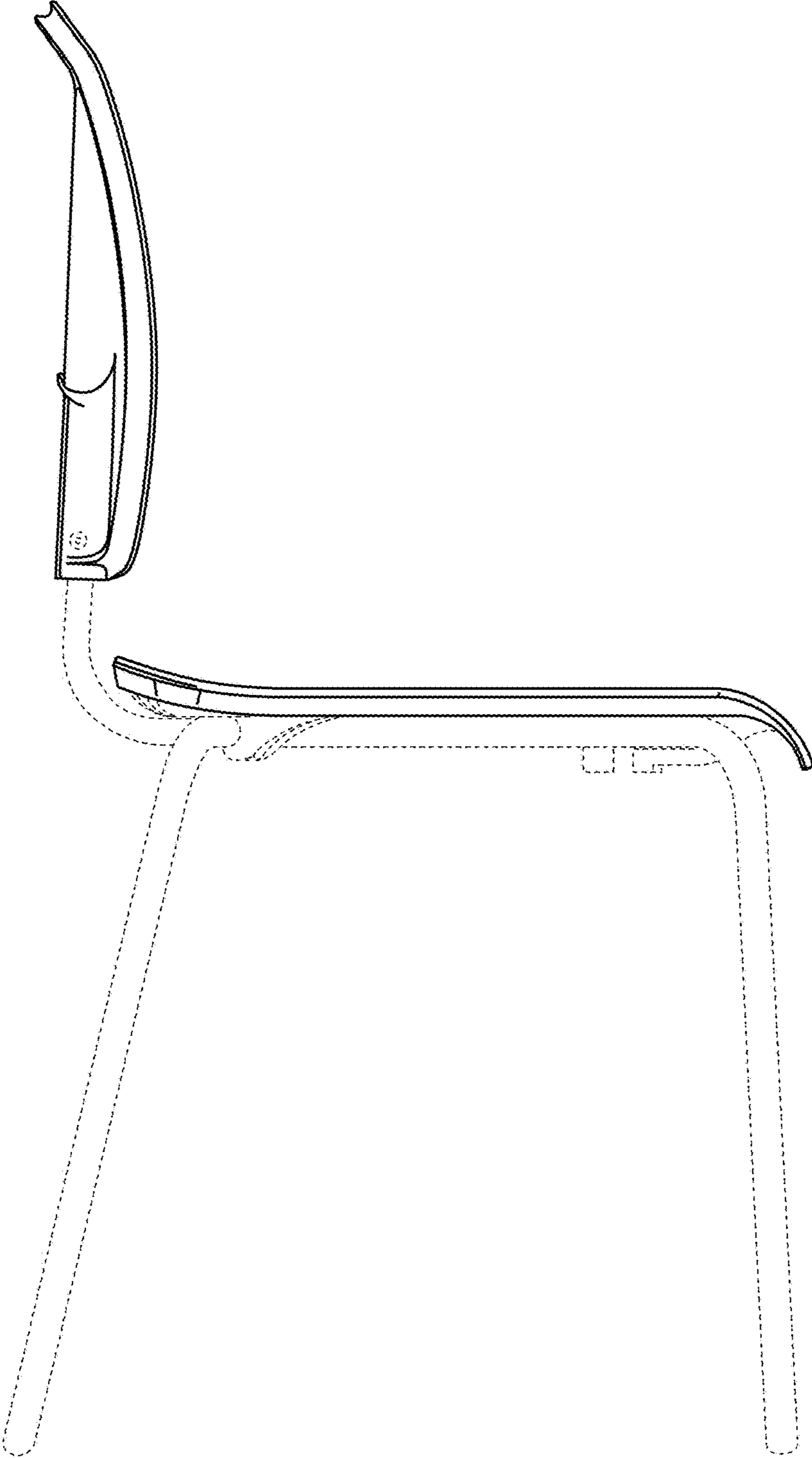


FIG. 4

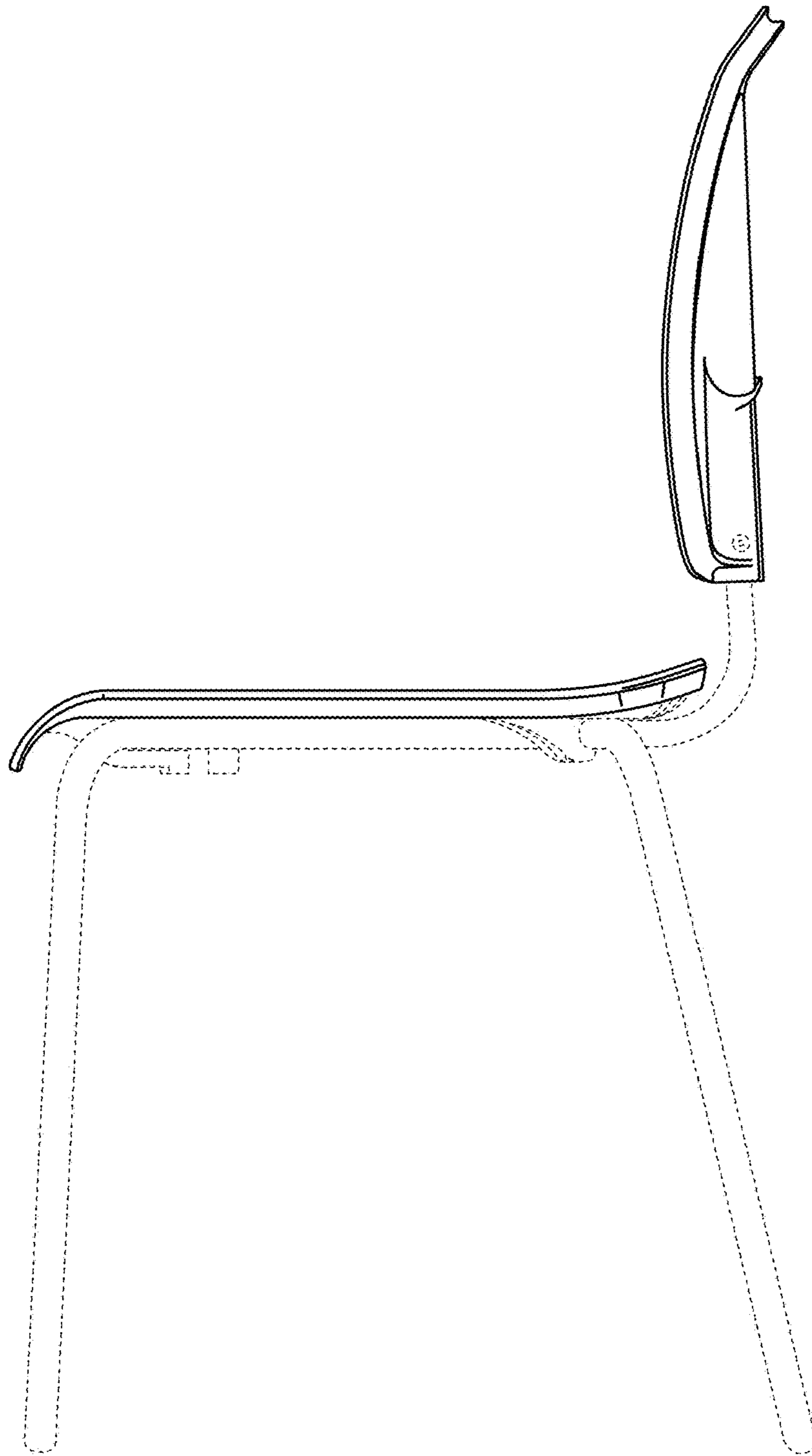


FIG. 5

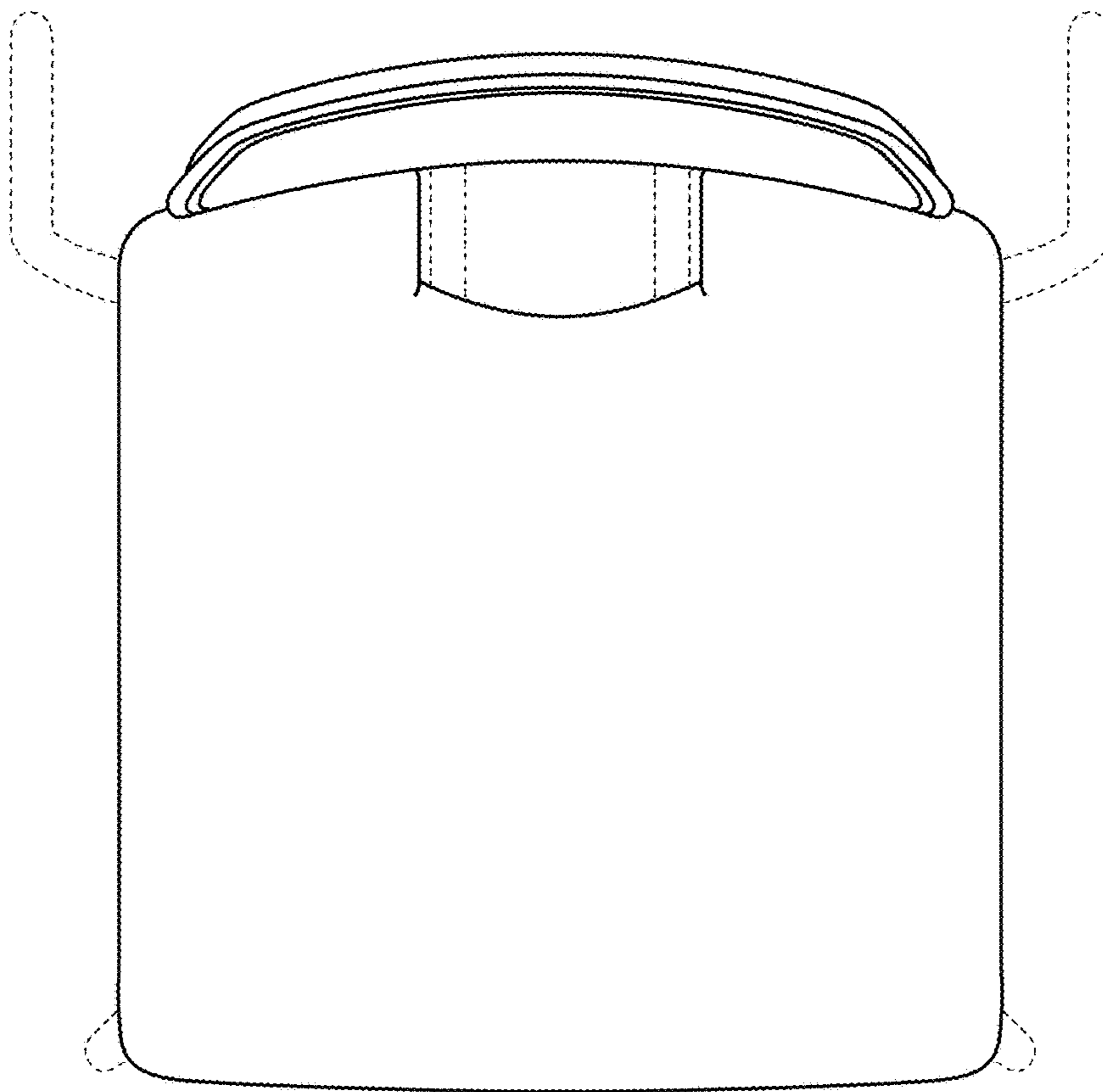


FIG. 6

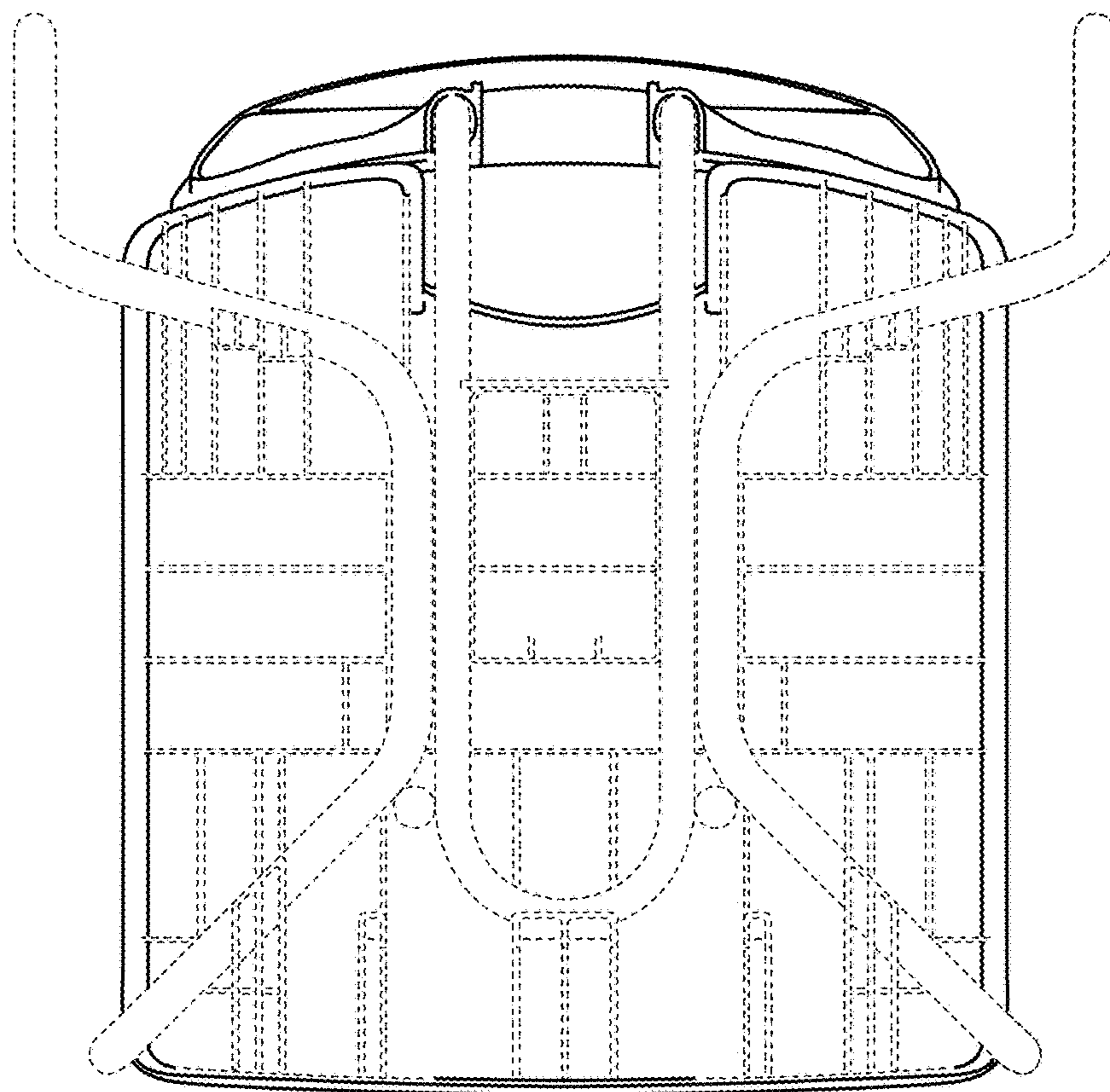


FIG. 7