

US00D864637S

(12) **United States Design Patent** (10) **Patent No.:** **US D864,637 S**
Johnson et al. (45) **Date of Patent:** **** *Oct. 29, 2019**

(54) **TABLE TOP**

- (71) Applicant: **LIFETIME PRODUCTS, INC.**,
Clearfield, UT (US)
- (72) Inventors: **Mitch Johnson**, South Weber, UT
(US); **Frank Clegg**, Fruit Heights, UT
(US); **Wendell Peery**, Kaysville, UT
(US)
- (73) Assignee: **Lifetime Products, Inc.**, Clearfield, UT
(US)
- (*) Notice: This patent is subject to a terminal dis-
claimer.
- (**) Term: **15 Years**
- (21) Appl. No.: **29/553,429**
- (22) Filed: **Feb. 1, 2016**

Related U.S. Application Data

- (63) Continuation of application No. 29/540,945, filed on
Sep. 29, 2015, now Pat. No. Des. 759,411, which is
a continuation of application No. 29/460,286, filed on
Jul. 9, 2013, now Pat. No. Des. 739,673, and a
continuation of application No. 29/521,673, filed on
(Continued)
- (51) **LOC (12) Cl.** **06-06**
- (52) **U.S. Cl.**
USPC **D6/707.19; D6/707.24**
- (58) **Field of Classification Search**
USPC ... D6/691, 691.6, 702, 707, 707.19, 707.24;
D20/22-28, 99
CPC .. A47B 7/00; A47B 9/00; A47B 13/00; A47B
13/003; A47B 21/00; A47B 2200/0001;
A47B 2200/0066; A47B 2200/001
See application file for complete search history.

(56) **References Cited**

U.S. PATENT DOCUMENTS

- D489,206 S 5/2004 Strong
- D498,622 S 11/2004 Neunzert
- (Continued)

OTHER PUBLICATIONS

Trademark Registration No. 4638039, Jul. 9, 2013 First used in
commerce—Jul. 6, 2012 (Registrant) Lifetime Products Inc. Cor-
poration Utah.*
(Continued)

Primary Examiner — Mary Ann Calabrese
(74) *Attorney, Agent, or Firm* — Maschoff Brennan

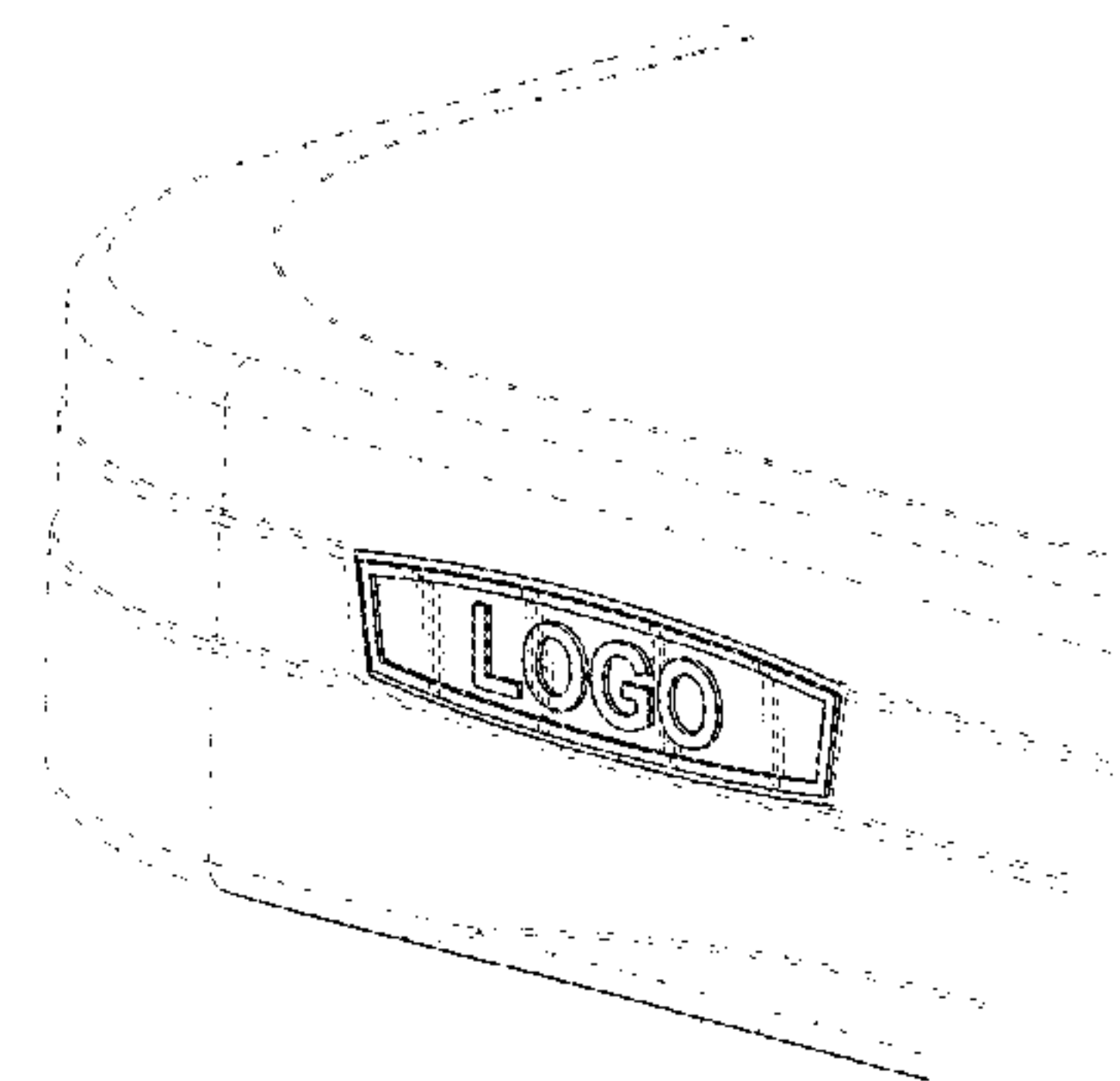
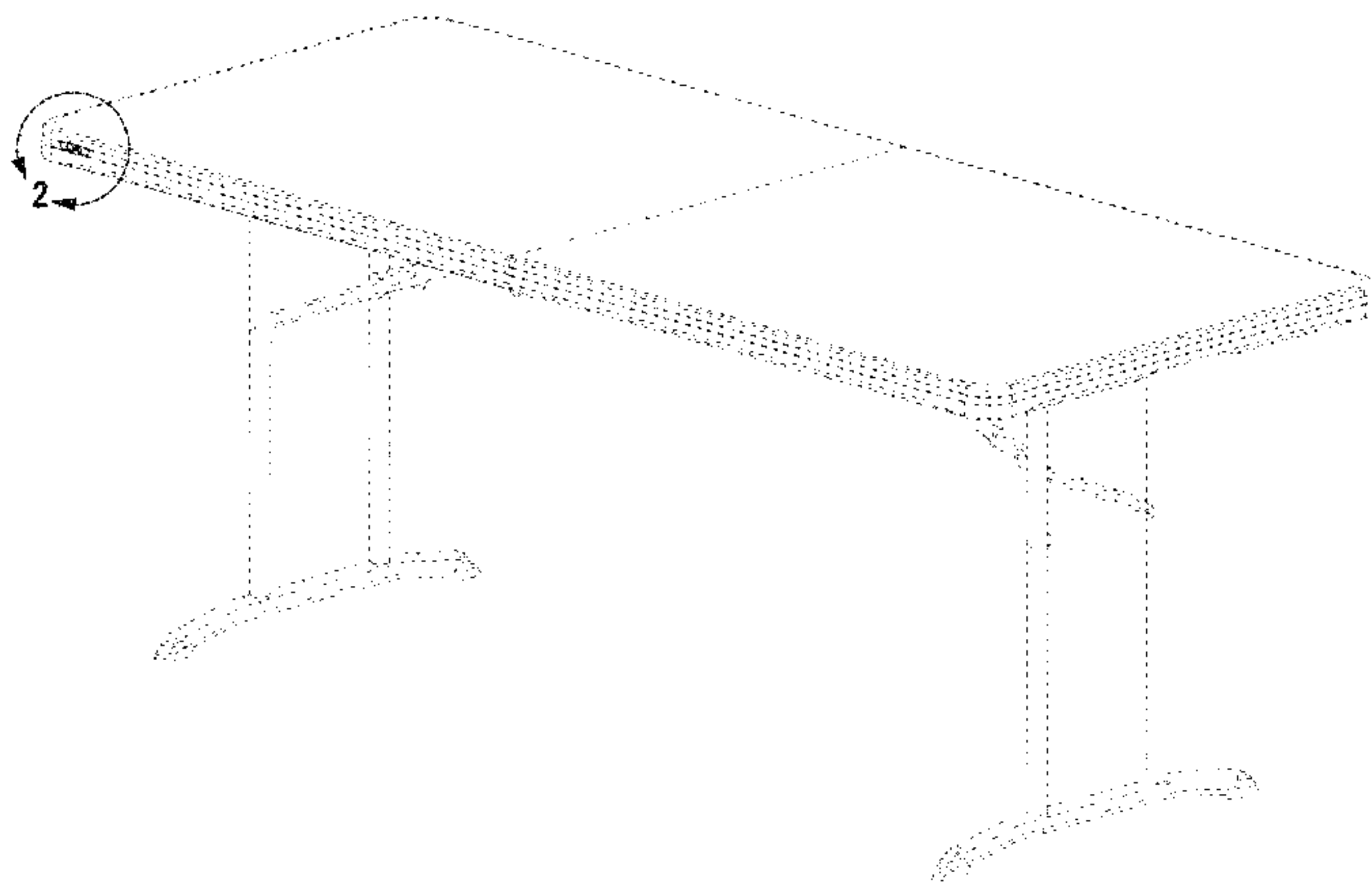
(57) **CLAIM**

The ornamental design for a table top, as shown and
described.

DESCRIPTION

FIG. 1 is an upper perspective view of an embodiment of a
table top;
FIG. 2 is an enlarged perspective view of the table top shown
in FIG. 1, illustrated by the encircled line 2 shown in FIG.
1;
FIG. 3 is a front view of the table top shown in FIG. 1;
FIG. 4 is an enlarged front view of the table top shown in
FIG. 1, illustrated by the encircled line 4 shown in FIG. 3;
FIG. 5 is a upper perspective view of another embodiment
of a table top;
FIG. 6 is an enlarged perspective view of the table top shown
in FIG. 5, illustrated by the encircled line 6 shown in FIG.
5;
FIG. 7 is a front view of the table top shown in FIG. 5; and,
FIG. 8 is an enlarged front view of the table top shown in
FIG. 5, illustrated by the encircled line 8 shown in FIG. 7.
The broken lines shown in the figures illustrates environ-
ment that form no part of the claimed design.

1 Claim, 8 Drawing Sheets



Related U.S. Application Data

Mar. 25, 2015, now Pat. No. Des. 756,694, which is a continuation of application No. 29/460,286, filed on Jul. 9, 2013, now Pat. No. Des. 739,673.

(56)

References Cited

U.S. PATENT DOCUMENTS

D500,807 S	1/2005	Noell et al.	
D575,083 S	8/2008	Lin	
D583,873 S *	12/2008	Sijmons	D20/28
D625,758 S	10/2010	Brown et al.	
D643,069 S	8/2011	Mallozzi et al.	
8,091,490 B2	1/2012	Branch et al.	
D688,496 S	8/2013	Bennett	
D696,882 S *	1/2014	Clegg	D6/707.24
8,757,069 B2	6/2014	Peery et al.	
D715,081 S	10/2014	Bennett	
8,857,349 B2	10/2014	Peery et al.	
D721,011 S *	1/2015	Heisler	D11/221
D733,475 S	7/2015	Johnson	
D739,673 S	9/2015	Johnson et al.	
D742,671 S *	11/2015	Johnson	D6/707.17
D748,418 S *	2/2016	Johnson	D6/707.19
D751,326 S *	3/2016	Johnson	D6/707.17
D756,694 S *	5/2016	Johnson	D6/707.24
D759,411 S *	6/2016	Johnson	D6/707.24
2002/0152650 A1	10/2002	Reeves	
2006/0196395 A1	9/2006	Lin et al.	
2007/0199483 A1 *	8/2007	Peery	A47B 3/0912 108/132
2011/0047838 A1	3/2011	Peterson et al.	
2013/0133380 A1	5/2013	Will	

OTHER PUBLICATIONS

Trademark Registration No. 5205820, Feb. 17, 2016 First used in commerce—Mar. 2006 (Registrant) Lifetime Products Inc. Corporation Utah.*

Digital image of blow-molded folding table displaying logo on top edge of table, original image available on www.lifetime.com website dated Dec. 23, 2012 <https://web.archive.org/web/20121223042722/http://www.lifetime.com:80/products.aspx>.

Digital image of sports table displaying logo on top edge of table, circa Dec. 2012.

U.S. Appl. No. 29/460,286, filed Jul. 9, 2013, Johnson, et al.

U.S. Appl. No. 29/460,287, filed Jul. 9, 2013, Johnson, et al.

U.S. Appl. No. 29/460,289, filed Jul. 9, 2013, Johnson, et al.

U.S. Appl. No. 29/460,290, filed Jul. 9, 2013, Johnson, et al.

U.S. Appl. No. 29/455,544, filed May 21, 2013, Johnson, et al.

U.S. Appl. No. 29/521,673, filed Mar. 25, 2015, Johnson, et al.

U.S. Appl. No. 29/521,674, filed Mar. 25, 2015, Johnson, et al.

U.S. Appl. No. 29/521,677, filed Mar. 25, 2015, Johnson, et al.

U.S. Appl. No. 29/522,551, filed Mar. 31, 2015, Johnson, et al.

U.S. Appl. No. 29/553,432, filed Feb. 1, 2016, Johnson, et al.

Notice of Allowance from U.S. Appl. No. 29/460,287 dated Mar. 18, 2015.

Notice of Allowance from U.S. Appl. No. 29/455,544 dated Mar. 16, 2015.

Office Action from U.S. Appl. No. 29/460,289 dated Mar. 17, 2015.

Office Action from U.S. Appl. No. 29/460,286 dated Mar. 16, 2015.

Office Action from U.S. Appl. No. 29/460,290 dated Dec. 24, 2014.

Office Action from U.S. Appl. No. 29/460,287 dated Dec. 24, 2014.

Office Action from U.S. Appl. No. 29/460,286 dated Dec. 23, 2014.

Office Action from U.S. Appl. No. 29/455,544 dated Dec. 24, 2014.

Office Action from U.S. Appl. No. 29/460,289 dated Dec. 19, 2014.

Office Action dated Mar. 5, 2018 from U.S. Appl. No. 29/553,432.

* cited by examiner

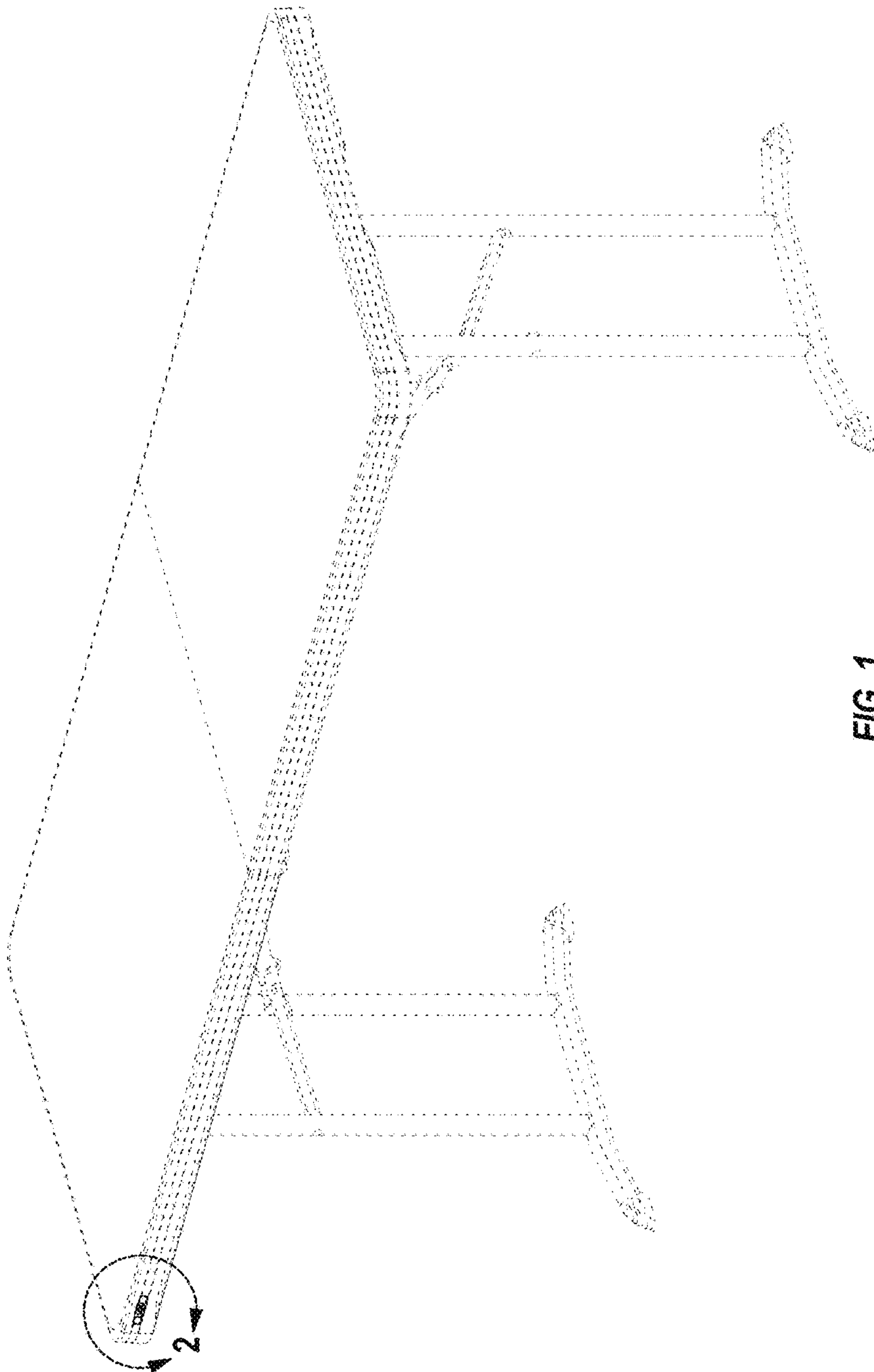


FIG. 1

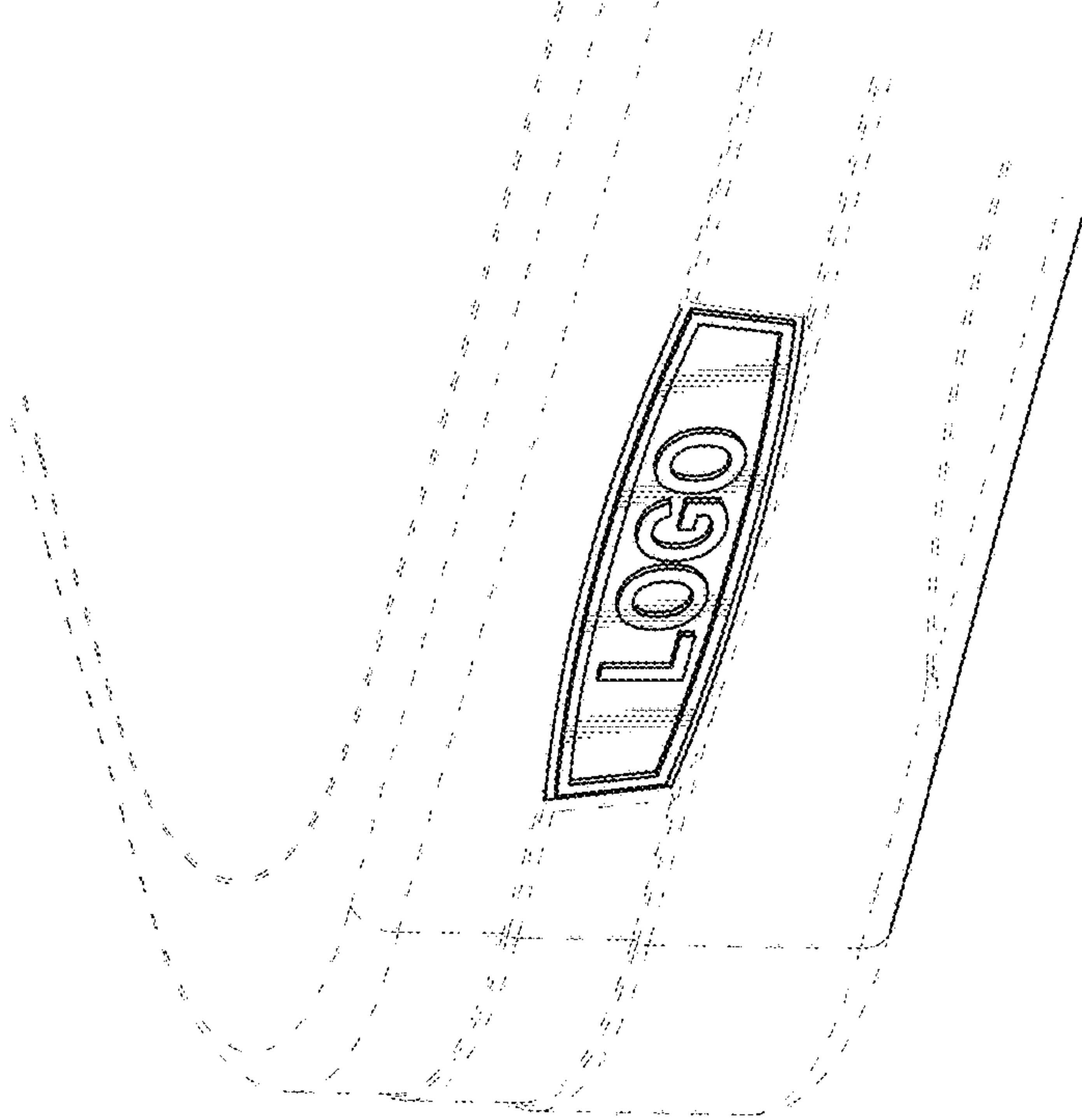


FIG. 2

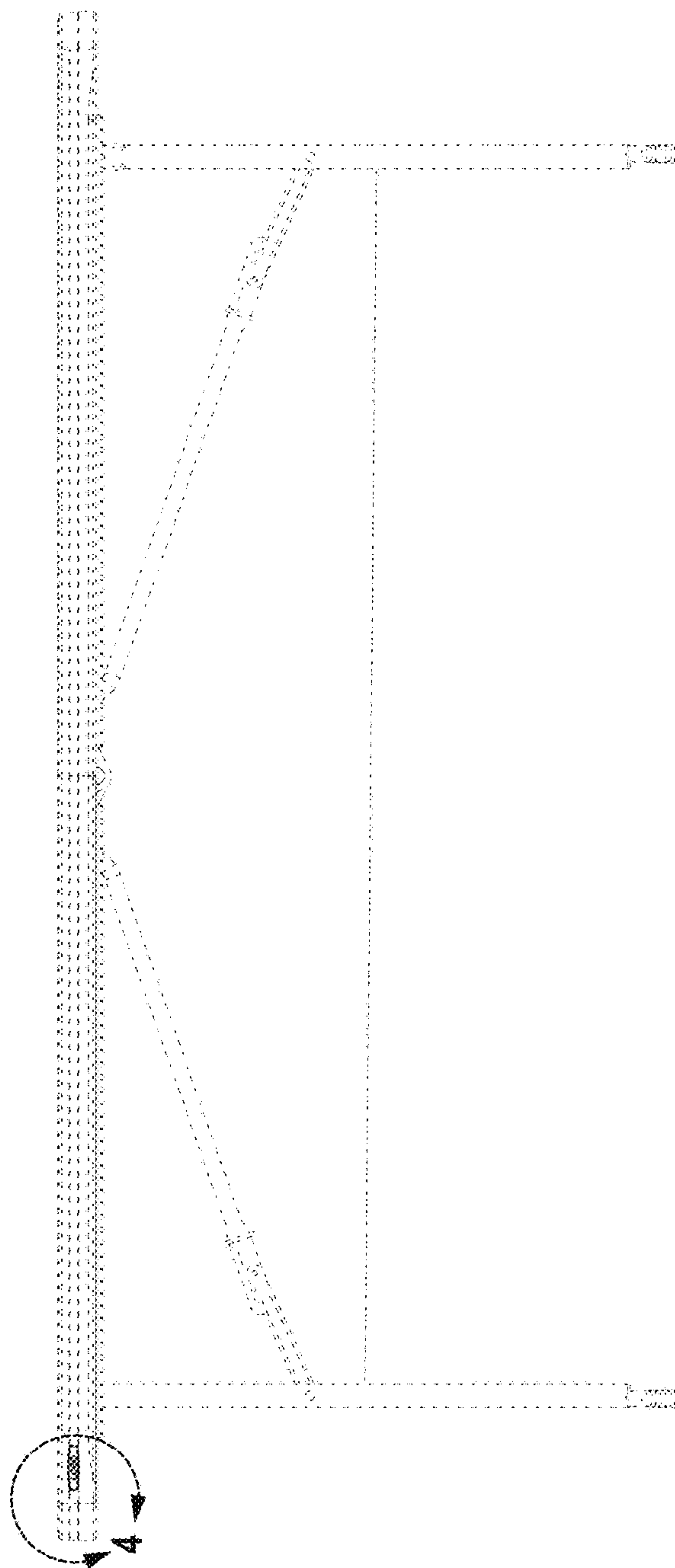


FIG. 3

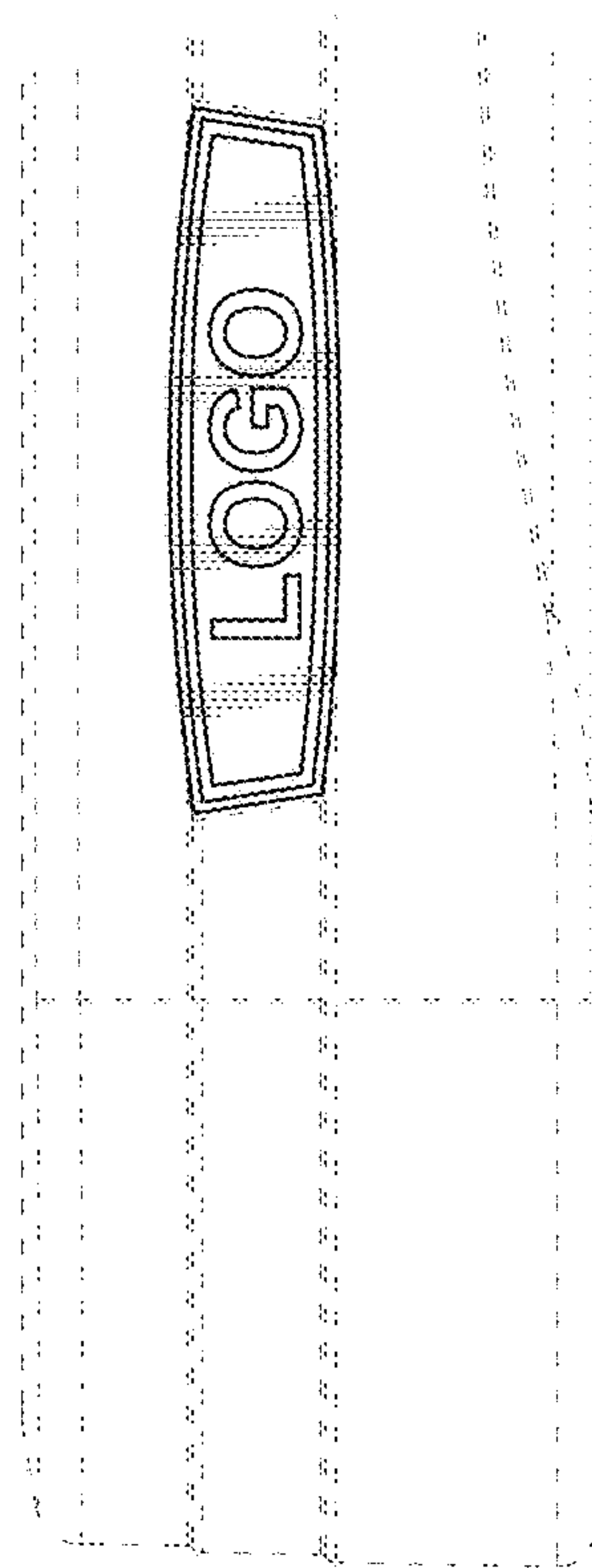


FIG. 4

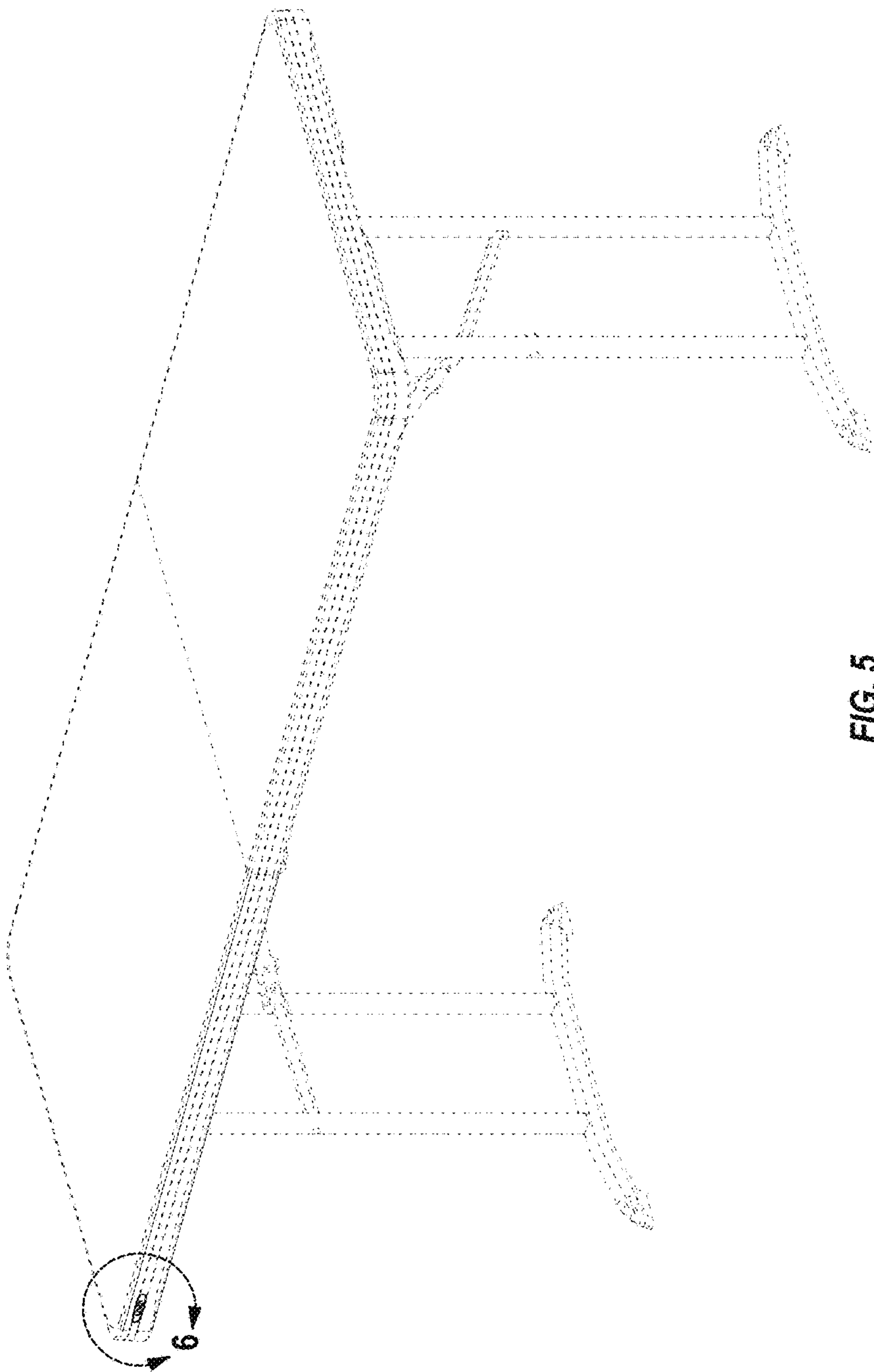


FIG. 5

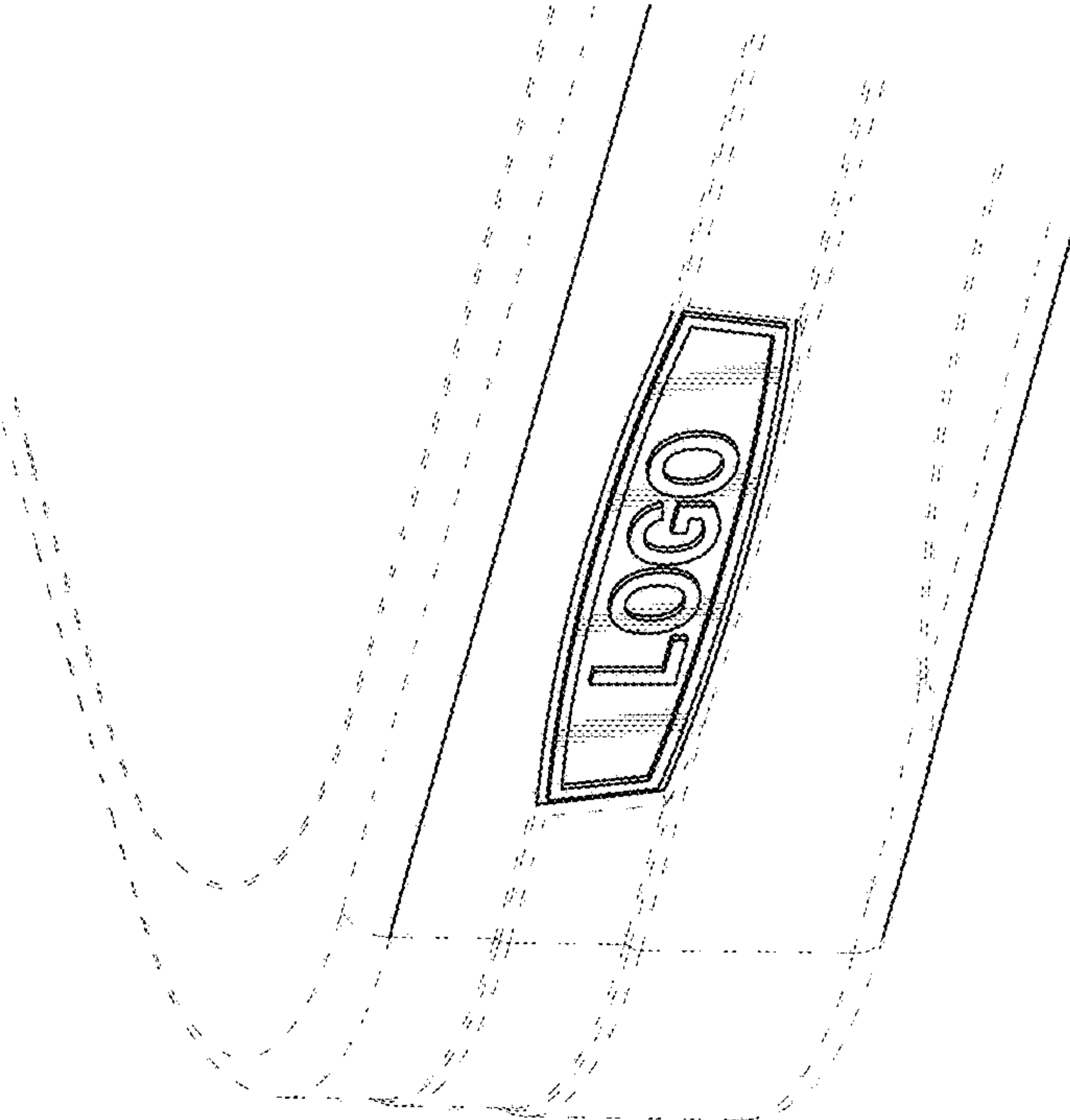


FIG. 6

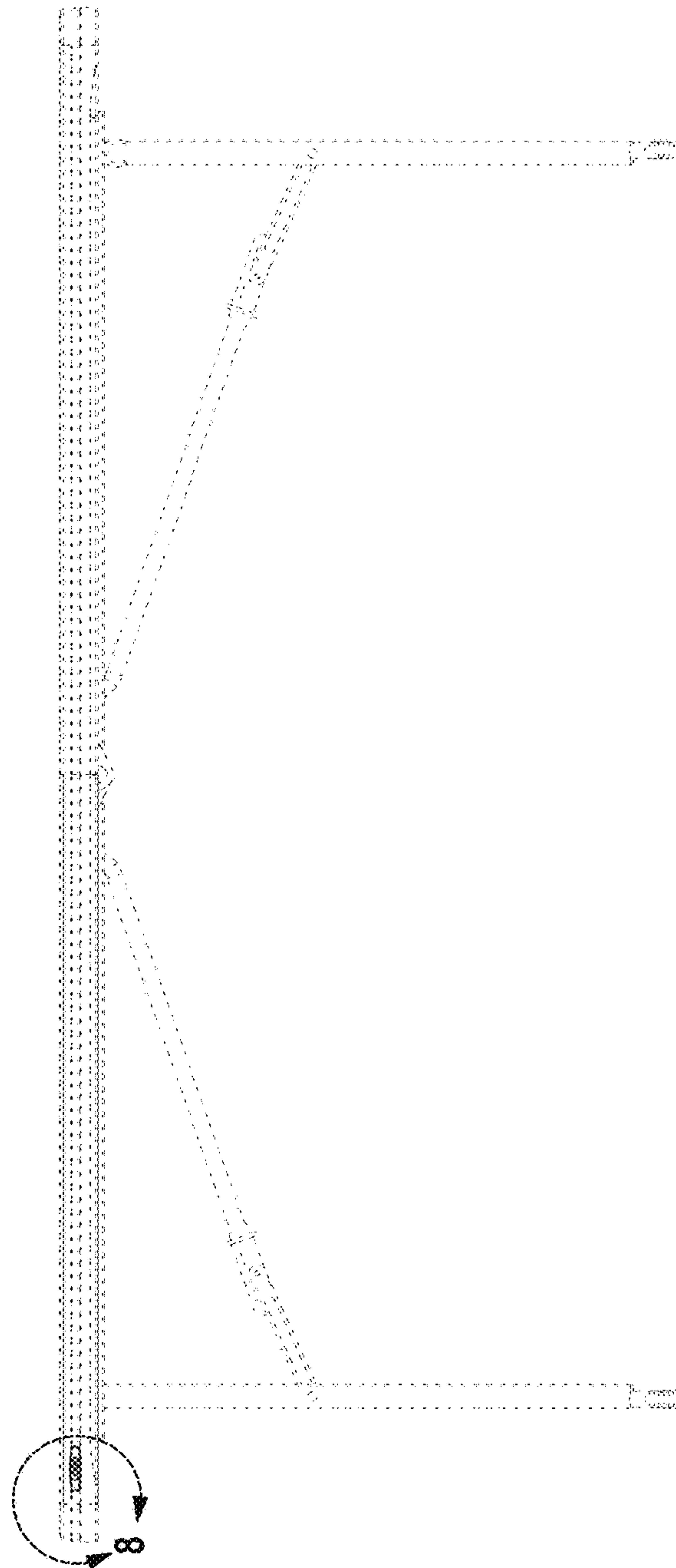


FIG. 7

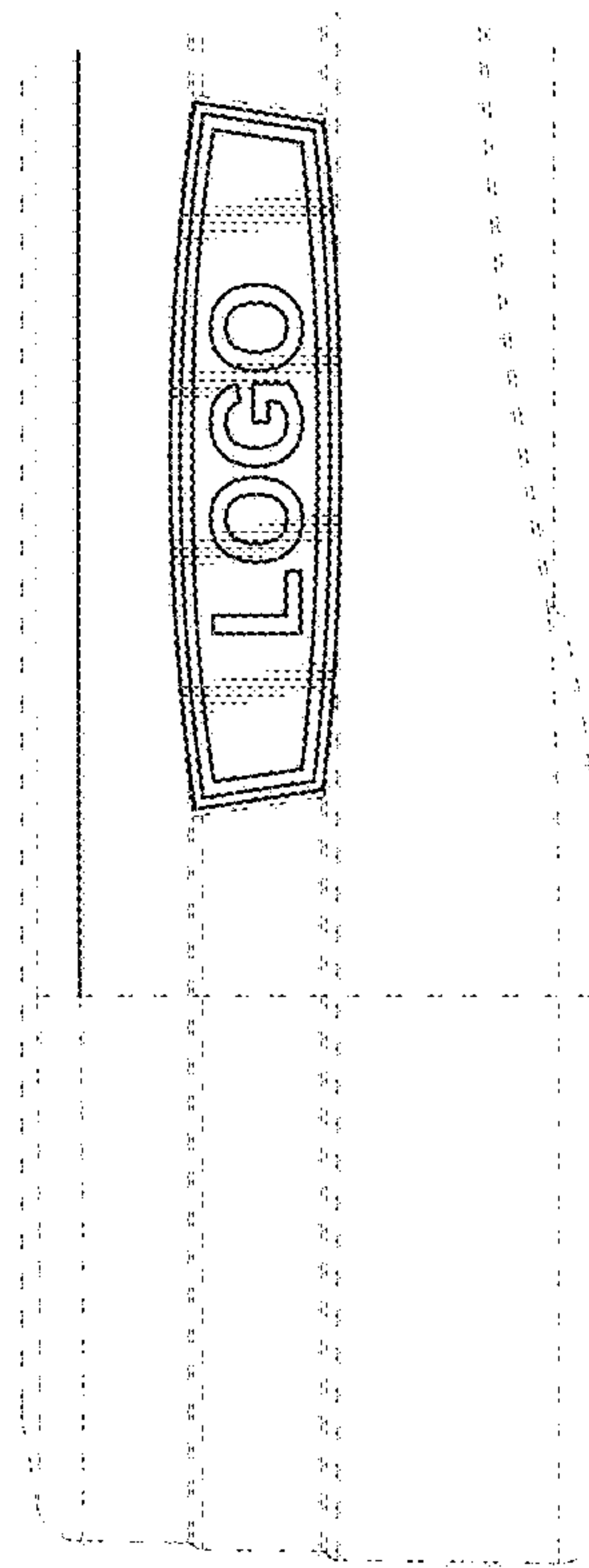


FIG. 8