

US00D864636S

(12) **United States Design Patent** (10) **Patent No.:** **US D864,636 S**  
**Rollins et al.** (45) **Date of Patent:** **\*\* Oct. 29, 2019**

(54) **SHELF DIVIDER WALL** 3,713,474 A \* 1/1973 Orlando ..... E04B 2/7409  
160/351  
(71) Applicant: **Nashville Wire Products** 3,718,306 A \* 2/1973 Murray ..... A47B 91/00  
**Manufacturing Company, LLC,** 248/188.8  
Nashville, TN (US) 3,814,034 A 6/1974 Seiz  
(Continued)

(72) Inventors: **Phillip Kent Rollins,** Nashville, TN  
(US); **Randall Louis Berg,**  
Murfreesboro, TN (US)

(73) Assignee: **Nashville Wire Products**  
**Manufacturing Co.,** Nashville, TN  
(US)

(\*\*) Term: **15 Years**

(21) Appl. No.: **29/692,170**

(22) Filed: **May 23, 2019**

**FOREIGN PATENT DOCUMENTS**

EP 761134 A1 3/1997  
WO 2008029019 A1 3/2008

*Primary Examiner* — Kelley A Donnelly

(74) *Attorney, Agent, or Firm* — Lucian Wayne Beavers;  
Alex H. Huffstutter; Patterson Intellectual Property Law,  
PC

(57) **CLAIM**

What is claimed is the ornamental design for a shelf divider wall, as shown and described.

**DESCRIPTION**

FIG. 1 is a front top perspective view showing the shelf divider wall of Applicants' invention.

FIG. 2 is a rear bottom perspective view of the shelf divider wall of FIG. 1.

FIG. 3 is a front elevation of the shelf divider wall of FIG. 1.

FIG. 4 is a top plan view of the shelf divider wall of FIG. 1. FIG. 5 is a bottom plan view of the shelf divider wall of FIG. 1.

FIG. 6 is a right side elevation of the shelf divider wall of FIG. 1, the left side elevation view being an identical mirror image thereto; and,

FIG. 7 is a rear elevation of the shelf divider wall of FIG. 1. The broken lines in the figures are used to represent subject matter that forms no part of the claimed design.

Where the figures show the article broken away, the break lines are understood to indicate unclaimed length, and any portion of the article between the break lines forms no part of the claimed design.

**Related U.S. Application Data**

(63) Continuation of application No. 15/939,370, filed on Mar. 29, 2018, now Pat. No. 10,377,569.

(51) **LOC (12) Cl.** ..... **06-06**

(52) **U.S. Cl.**  
USPC ..... **D6/706**

(58) **Field of Classification Search**  
USPC ..... D6/332, 491, 492, 509, 510, 511, 706;  
D8/380, 381

CPC . A47B 47/0066; A47B 47/0075; A47B 57/26;  
A47B 47/30; A47B 47/34; A47F 5/005;  
A47F 5/105

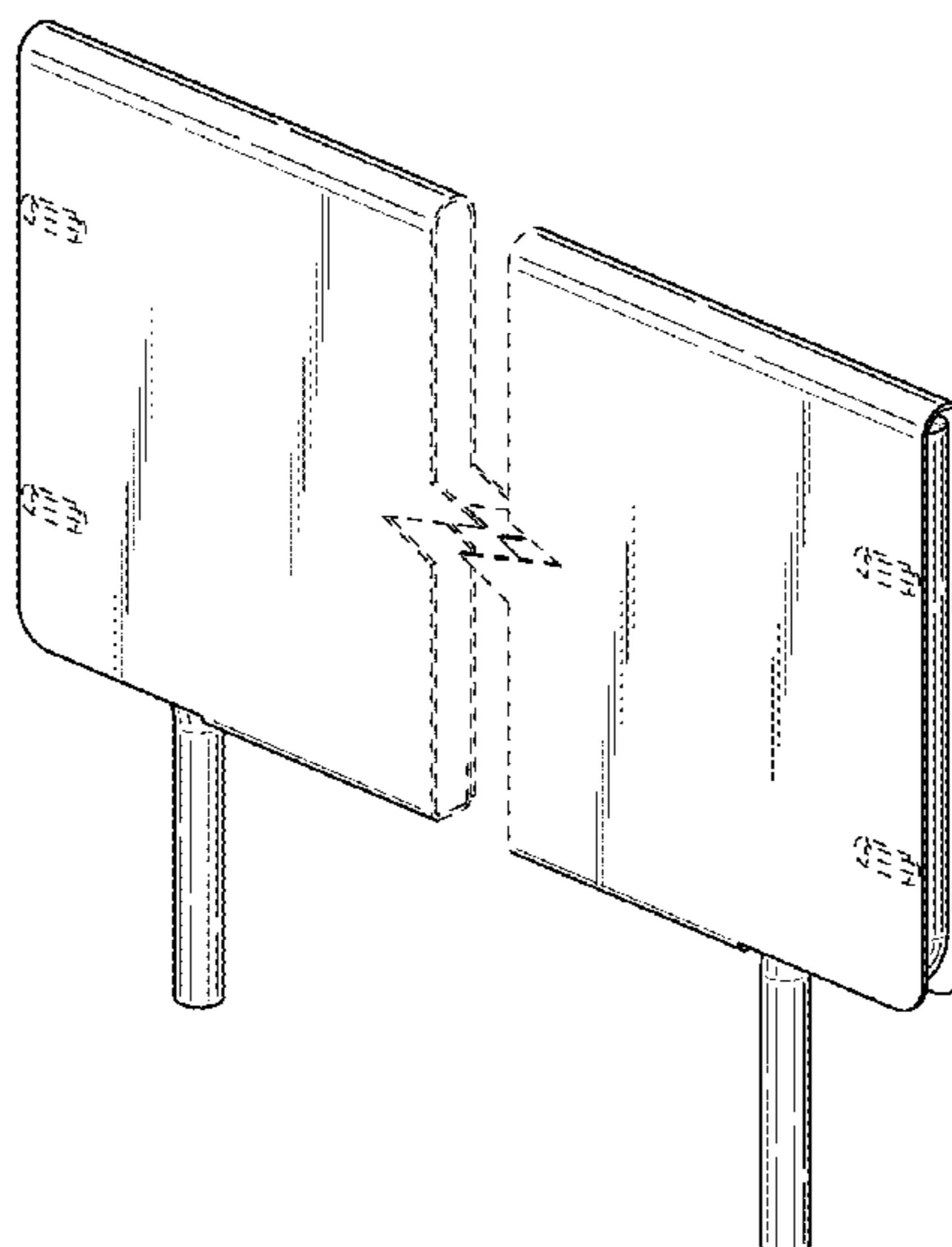
See application file for complete search history.

(56) **References Cited**

**U.S. PATENT DOCUMENTS**

1,409,092 A 3/1922 Goldfield  
2,381,608 A 8/1945 Leyerle  
3,196,812 A 7/1965 Jacques  
3,323,656 A 6/1967 Weiss et al.

**1 Claim, 3 Drawing Sheets**



(56)

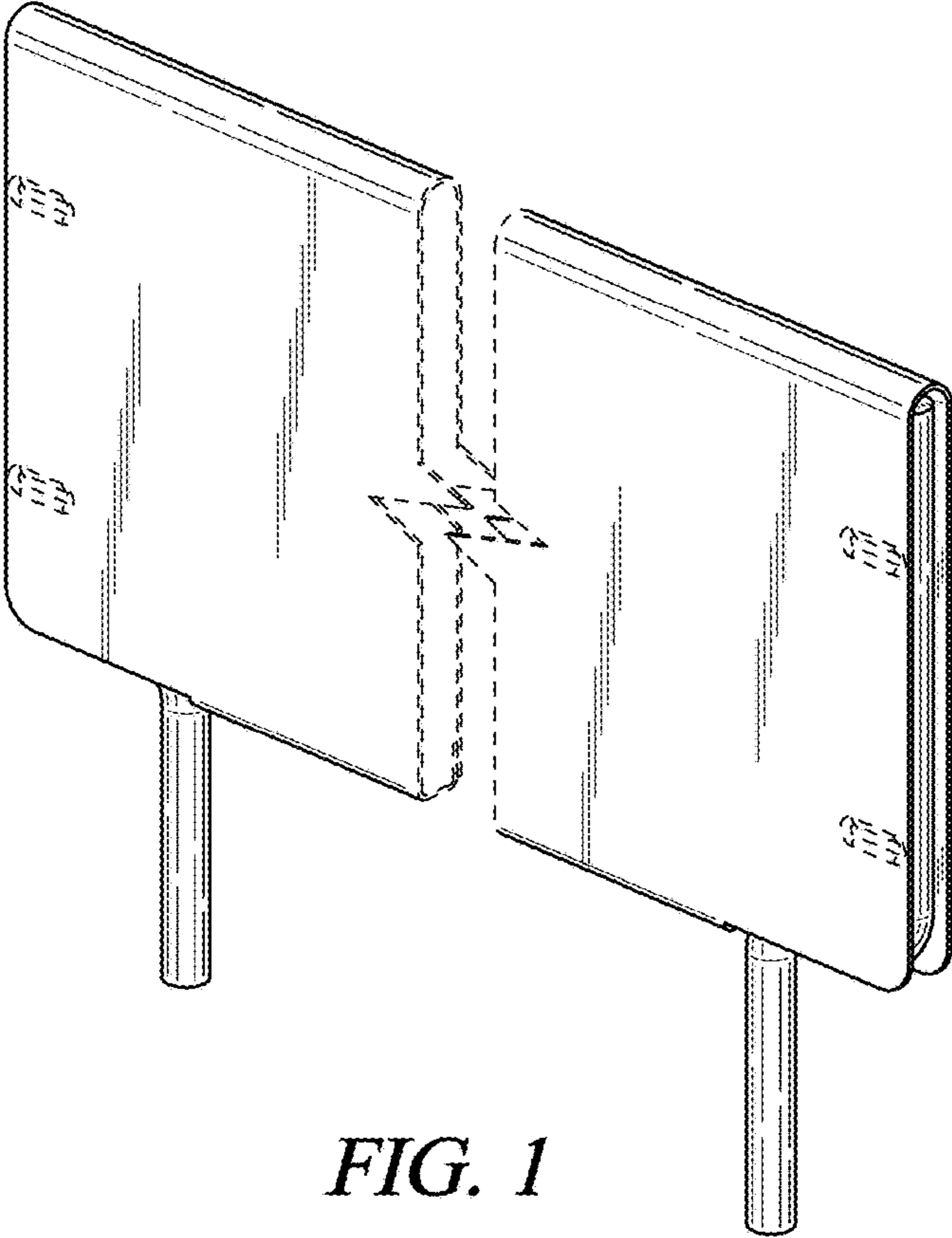
References Cited

U.S. PATENT DOCUMENTS

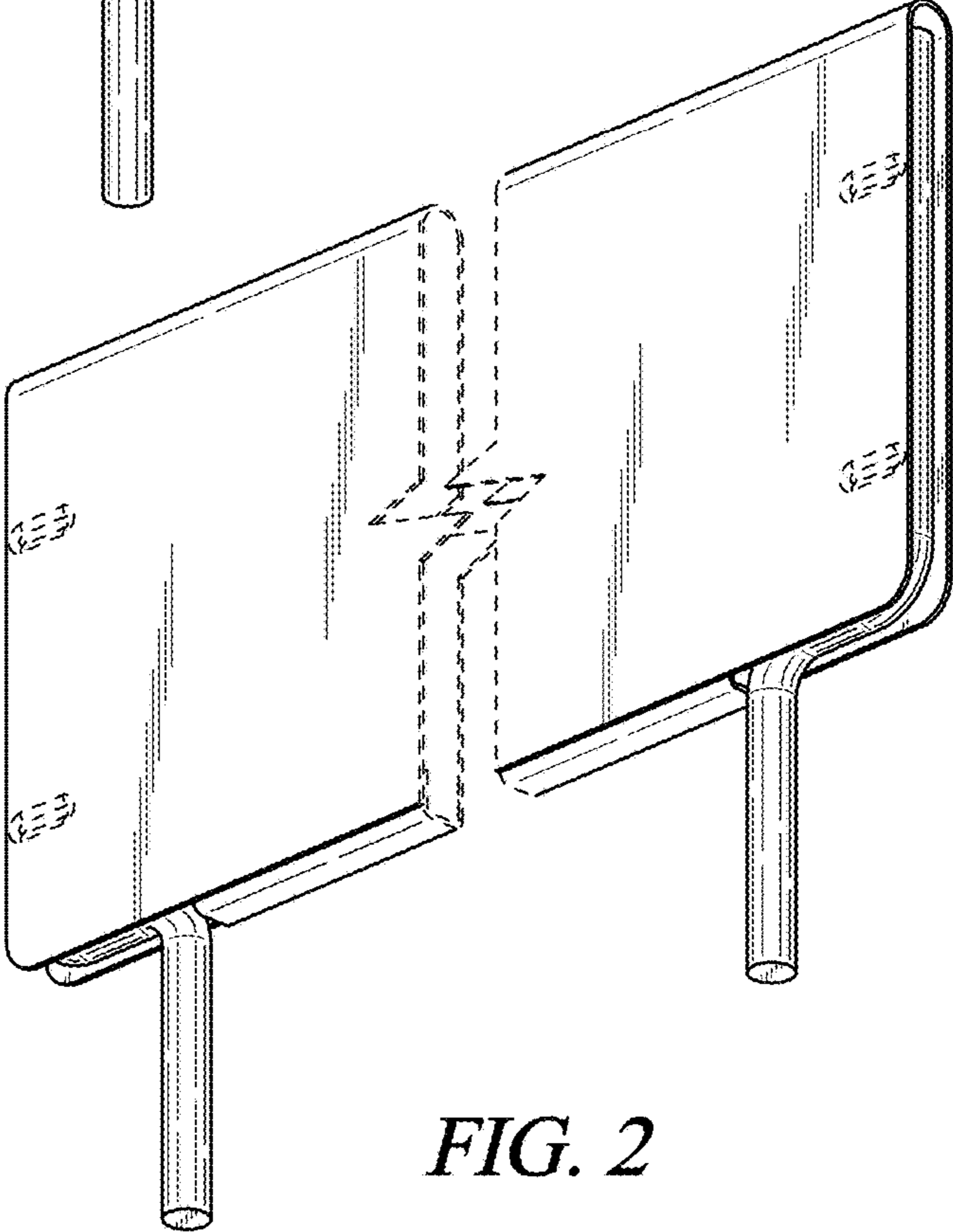
3,900,112 A 8/1975 Azzi  
 3,949,827 A \* 4/1976 Witherspoon ..... E04B 2/7437  
 181/284  
 3,986,616 A 10/1976 Gray  
 4,078,664 A 3/1978 McConnell  
 4,121,645 A \* 10/1978 Behr ..... A47G 5/00  
 16/365  
 4,200,254 A \* 4/1980 Nelson ..... E04B 2/7405  
 160/351  
 D257,599 S \* 12/1980 Cyplik ..... D6/332  
 4,372,451 A 2/1983 Rasmussen et al.  
 4,496,037 A 1/1985 Spamer  
 4,519,508 A 5/1985 Gullett et al.  
 4,641,726 A \* 2/1987 Fearon ..... E04B 1/8209  
 156/290  
 4,923,070 A 5/1990 Jackle et al.  
 5,121,681 A 6/1992 Chang  
 5,160,051 A 11/1992 Bustos  
 5,181,623 A 1/1993 Linden et al.  
 5,383,409 A 1/1995 Hayakawa  
 5,489,031 A 2/1996 Carroll  
 5,577,623 A 11/1996 Bustos  
 5,718,441 A 2/1998 Kern et al.  
 5,769,249 A 6/1998 Lascara  
 5,816,173 A 10/1998 Warneford  
 6,039,192 A 3/2000 Hollander  
 6,050,428 A 4/2000 Hollander  
 6,132,158 A 10/2000 Pfeiffer et al.  
 6,173,658 B1 1/2001 Moberg

6,290,077 B2 9/2001 Sosso  
 6,401,944 B1 6/2002 Kircher et al.  
 6,799,689 B2 10/2004 Langtry  
 6,871,747 B2 3/2005 Bustos  
 7,156,243 B2 1/2007 Henning et al.  
 D619,393 S \* 7/2010 Golias ..... D6/706  
 7,815,060 B2 10/2010 Iellimo  
 D662,329 S \* 6/2012 Arko ..... D6/332  
 8,443,992 B2 5/2013 Lawson et al.  
 D702,068 S \* 4/2014 Mitten ..... D6/706  
 D707,994 S \* 7/2014 Le ..... D6/706  
 8,919,585 B2 12/2014 Trover  
 9,027,767 B2 5/2015 Buckley et al.  
 9,375,102 B2 6/2016 Troyner et al.  
 9,386,855 B2 7/2016 Sabounjian  
 9,414,697 B2 \* 8/2016 Parshad ..... A47G 5/00  
 D796,216 S \* 9/2017 Rockwell ..... D6/332  
 D805,360 S \* 12/2017 Freeman ..... D7/667  
 D807,652 S \* 1/2018 Kawamoto ..... D6/332  
 D827,316 S \* 9/2018 Rockwell ..... D6/332  
 D843,149 S \* 3/2019 Nilsson ..... D6/706  
 D854,089 S \* 7/2019 Topcuoglu ..... D20/10  
 2007/0034583 A1 2/2007 Henning et al.  
 2010/0077781 A1 4/2010 Decker et al.  
 2012/0000871 A1 1/2012 Troyner et al.  
 2012/0067838 A1 3/2012 Lawson et al.  
 2014/0116973 A1 5/2014 Buckley et al.  
 2015/0090683 A1 4/2015 Sabounjian  
 2016/0220018 A1 8/2016 Hanlon  
 2016/0296038 A1 \* 10/2016 Walker ..... A47F 1/125  
 2016/0333578 A1 \* 11/2016 Ng ..... E04B 2/7425  
 2017/0042329 A1 2/2017 Rollins et al.

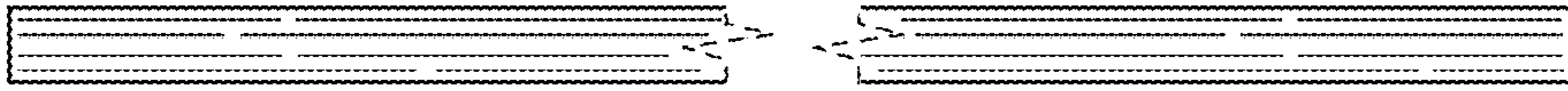
\* cited by examiner



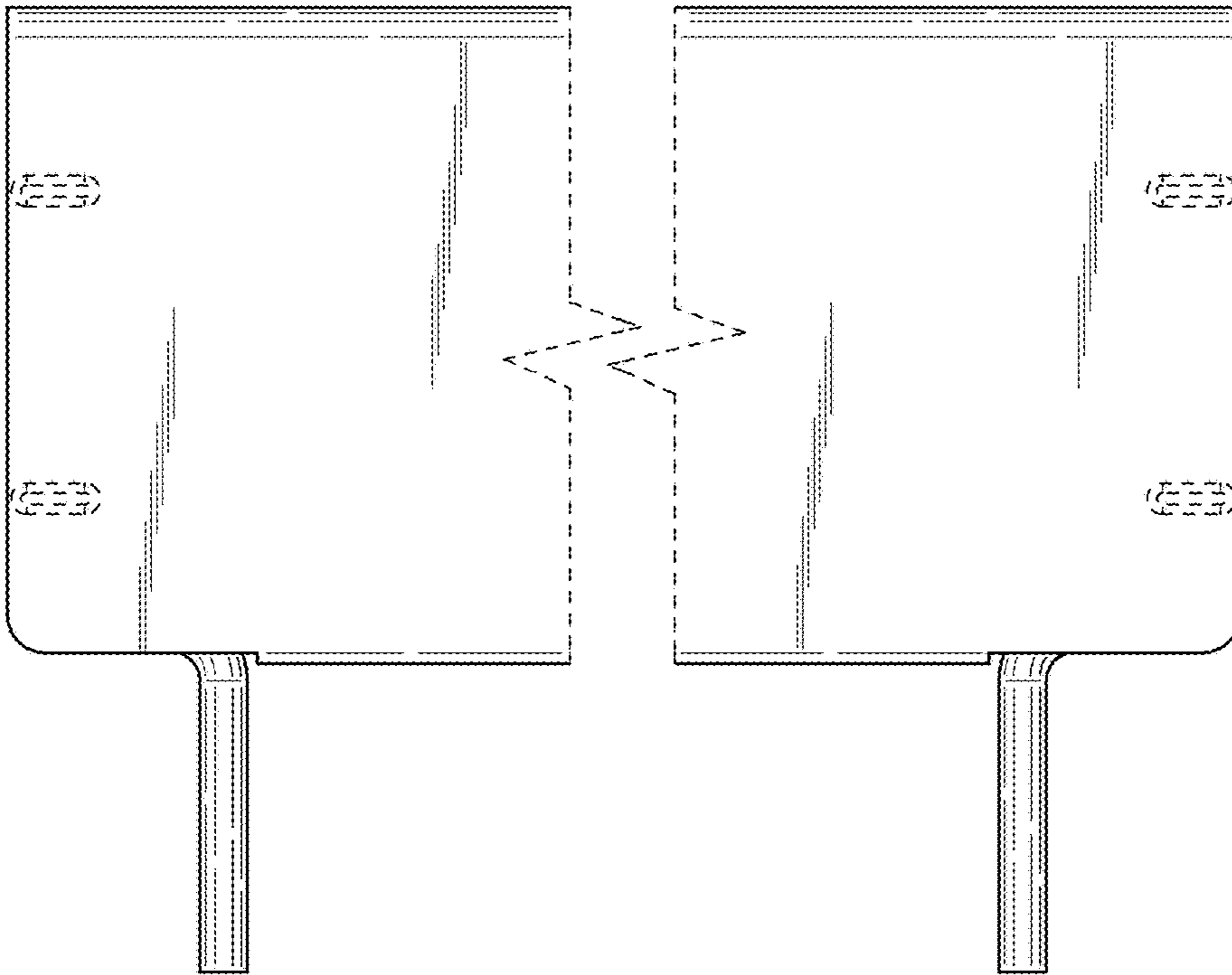
*FIG. 1*



*FIG. 2*



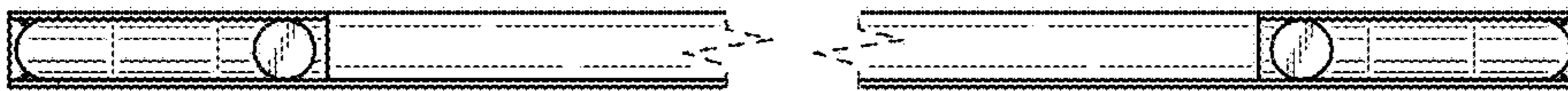
*FIG. 4*



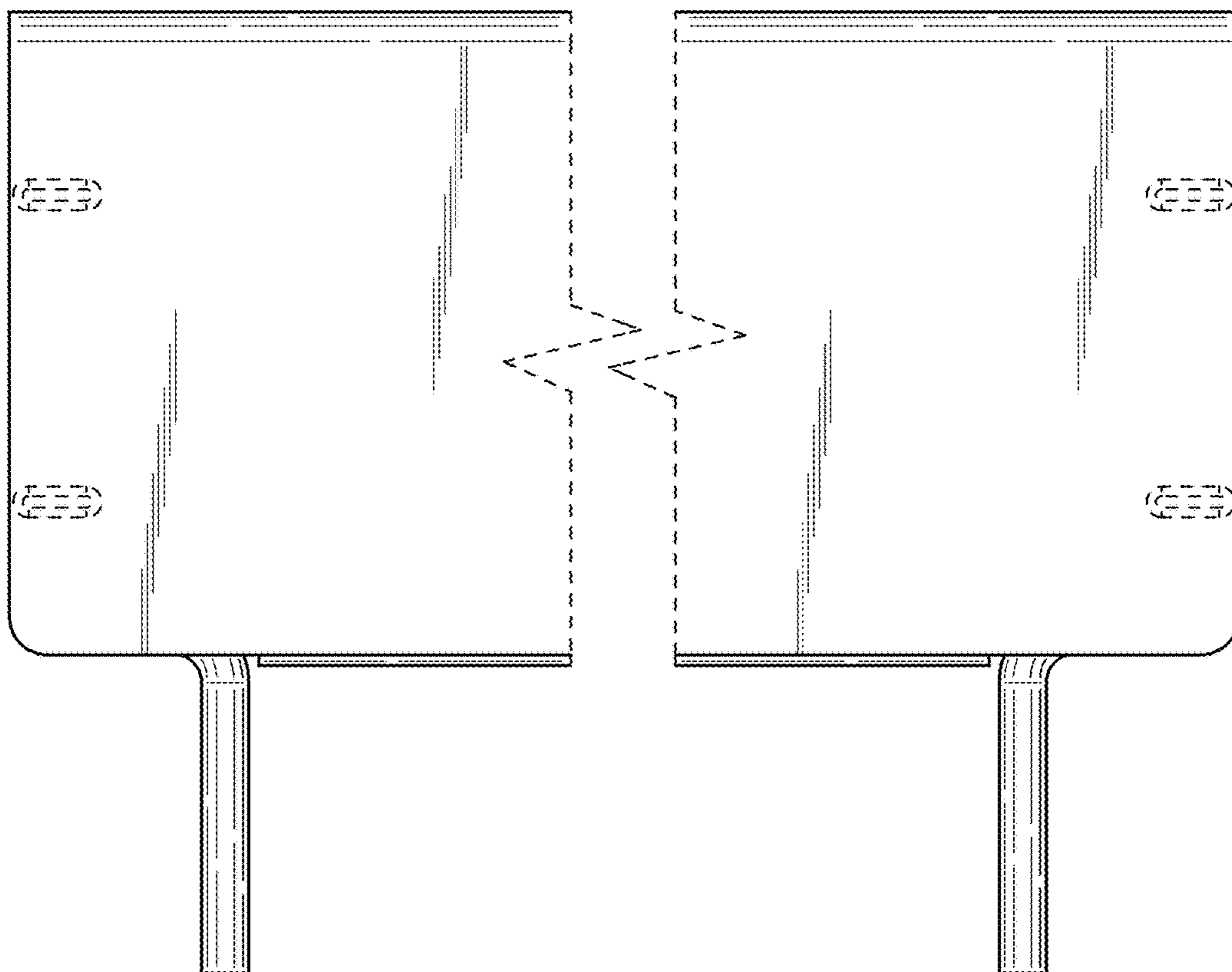
*FIG. 3*



*FIG. 6*



*FIG. 5*



*FIG. 7*