



US00D864635S

(12) **United States Design Patent** (10) **Patent No.:** **US D864,635 S**
Bacallao (45) **Date of Patent:** **** Oct. 29, 2019**

(54) **SELF-CHECKOUT STATION**

FOREIGN PATENT DOCUMENTS

(71) Applicant: **Walmart Apollo, LLC**, Bentonville, AR (US)

CN 201401030 Y 2/2010

(72) Inventor: **Yurgis Mauro Bacallao**, Centerton, AR (US)

OTHER PUBLICATIONS

Examiner's Report in counterpart Canadian Design Application No. 172722, dated May 12, 2017; 2 pages.

(73) Assignee: **WALMART APOLLO, LLC**, Bentonville, AR (US)

(Continued)

(**) Term: **15 Years**

Primary Examiner — Mary Ann Calabrese

(74) *Attorney, Agent, or Firm* — Schmeiser, Olsen & Watts LLP; Timothy P. Collins

(21) Appl. No.: **29/574,947**

(22) Filed: **Aug. 19, 2016**

(51) **LOC (12) Cl.** **06-03**

(57) **CLAIM**

(52) **U.S. Cl.**
USPC **D6/699**

An ornamental design for a self-checkout station, as shown and described.

(58) **Field of Classification Search**
USPC D6/698, 699, 699.1–699.4
CPC A47F 3/0413; A47F 3/0479; A47F 9/00;
A47F 9/005; A47F 9/02; A47F 9/04
See application file for complete search history.

DESCRIPTION

(56) **References Cited**

U.S. PATENT DOCUMENTS

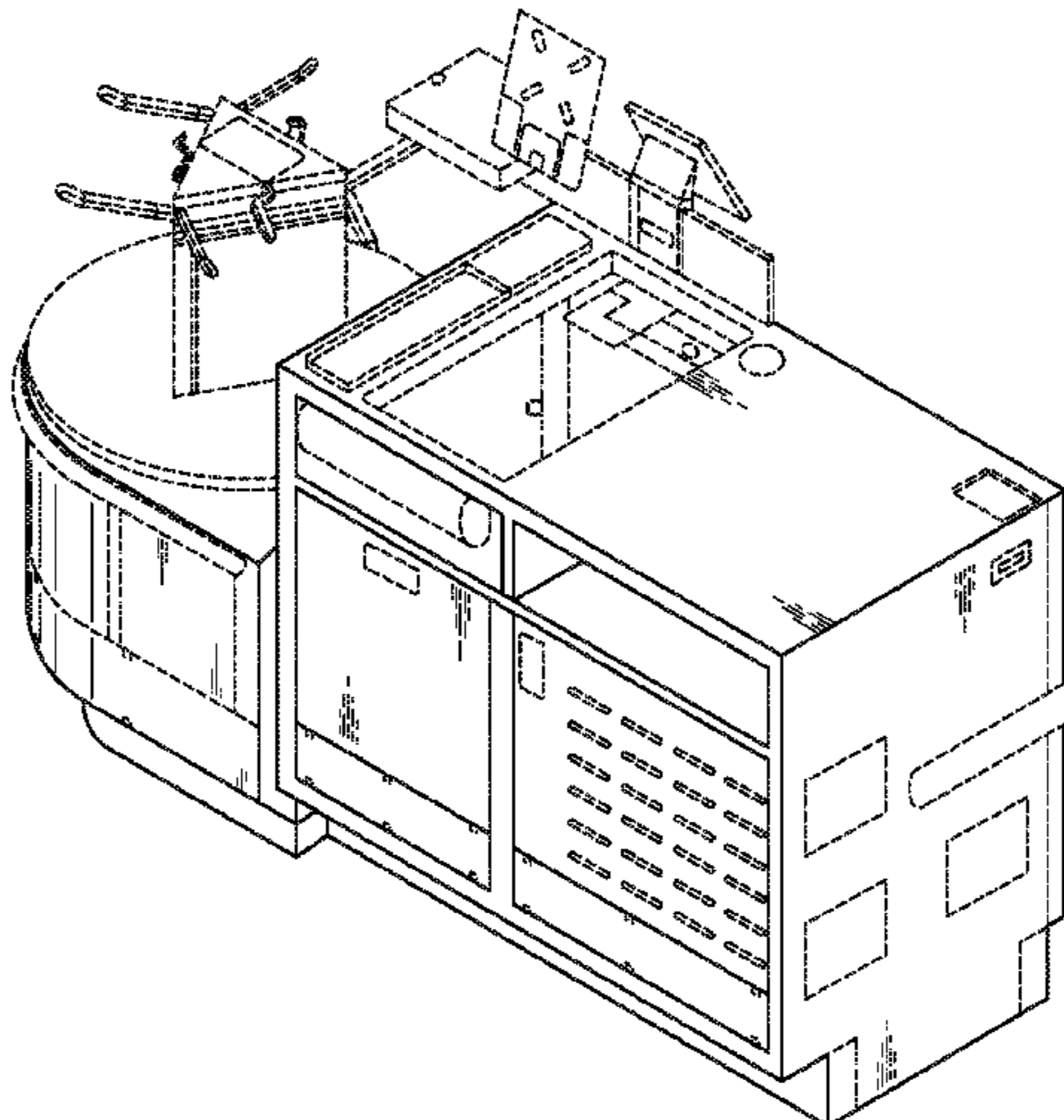
3,075,616	A *	1/1963	Shofiner	A47F 9/04
					186/66
D258,783	S *	4/1981	Frederick	D6/698
D283,181	S *	4/1986	McMillion	D6/698
6,550,583	B1	4/2003	Brenhouse		
6,889,752	B2	5/2005	Stoller		
7,745,961	B2	6/2010	Kato		
8,924,258	B2	12/2014	Knoll et al.		
2003/0222092	A1 *	12/2003	Sherrod	G07F 11/24
					221/92
2004/0050626	A1 *	3/2004	Lantz	A47F 9/042
					186/66
2007/0240966	A1	10/2007	Tabachnik		
2007/0274036	A1	11/2007	Walsh et al.		
2012/0187195	A1	7/2012	Actis et al.		
2017/0354274	A1 *	12/2017	Bacallao	A47F 9/042

FIG. 1 is a front perspective view of a self-checkout station; FIG. 2 is a rear perspective view of the self-checkout station of FIG. 1; FIG. 3 is a right side view of the self-checkout station of FIG. 1; FIG. 4 is a left side view of the self-checkout station of FIG. 1; FIG. 5 is a front view of the self-checkout station of FIGS. 1-4; FIG. 6 is a rear view of the self-checkout station of FIGS. 1-5; FIG. 7 is a top view of the self-checkout station of FIGS. 1-6; and, FIG. 8 is a bottom view of the self-checkout station of FIGS. 1-7.

In the drawings, the broken lines illustrate portions of the self-checkout station which form no part of the claimed design.

(Continued)

1 Claim, 7 Drawing Sheets



(56)

References Cited

U.S. PATENT DOCUMENTS

2017/0355531 A1* 12/2017 Bacallao B65G 43/10
2018/0049565 A1* 2/2018 Bacallao A47F 9/04

OTHER PUBLICATIONS

Panostonusa, "Pan Oston NRF Video 2014," Youtube.com, Feb. 5, 2014.

International Search Report & Written Opinion in International Patent Application No. PCT/US17/46860, dated Oct. 30, 2017; 9 pages.

Bacallao, et al. "Self-Checkout Register Configurations," U.S. Appl. No. 62/349,940, filed Jun. 14, 2016; 15 pages.

Bacallao, et al. "Self-Checkout Register Configurations," U.S. Appl. No. 15/622,136, filed Jun. 14, 2017; 24 pages.

Bacallao, et al. "Waste Collection System and Method," U.S. Appl. No. 62/295,866, filed Feb. 16, 2016; 16 pages.

Bacallao, et al. "Waste Collection System and Method," U.S. Appl. No. 15/425,287, filed Feb. 6, 2017; 16 pages.

Bacallao, Yurgis. "Modular Bagging Stations," U.S. Appl. No. 62/349,933, filed Jun. 14, 2016; 19 pages.

Bacallao, Yurgis. "Modular Bagging Stations," U.S. Appl. No. 15/622,146, filed Jun. 14, 2017; 19 pages.

"Fact Sheet: Fujitsu U-Scan(R) Genesis(R) II Self-Checkout," Fujitsu America, Inc., Solutions.us.fujitsu.com, 2015; 4 pages.

"Self Checkout Systems," Shekel Electronic Scales Ltd., HelloTrade.com/Shekel-scales, accessed on Aug. 3, 2016; 5 pages.

"Utopia Carousel Solution," UtopiaSelfScan.com, accessed on Aug. 3, 2016; 1 page.

"Supermarket Checkout Lanes," Pan-Oston, PanOston.com, accessed on Aug. 3, 2016; 2 pages.

"Toshiba Self Checkout System 6," Toshiba Global Commerce Solutions, Inc., 2014; 8 pages.

Smith, James E., "IBM Introduces Retail's First Completely Modular Self-Checkout System," Jan. 11, 2011, IBM News Room, IBM.com; 3 pages.

International Preliminary Report on Patentability in PCT/US2017/046860 dated Feb. 28, 2019; 8 pages.

Notice of Allowance in U.S. Appl. No. 15/677,143, dated Jul. 5, 2019; 13 pages.

* cited by examiner

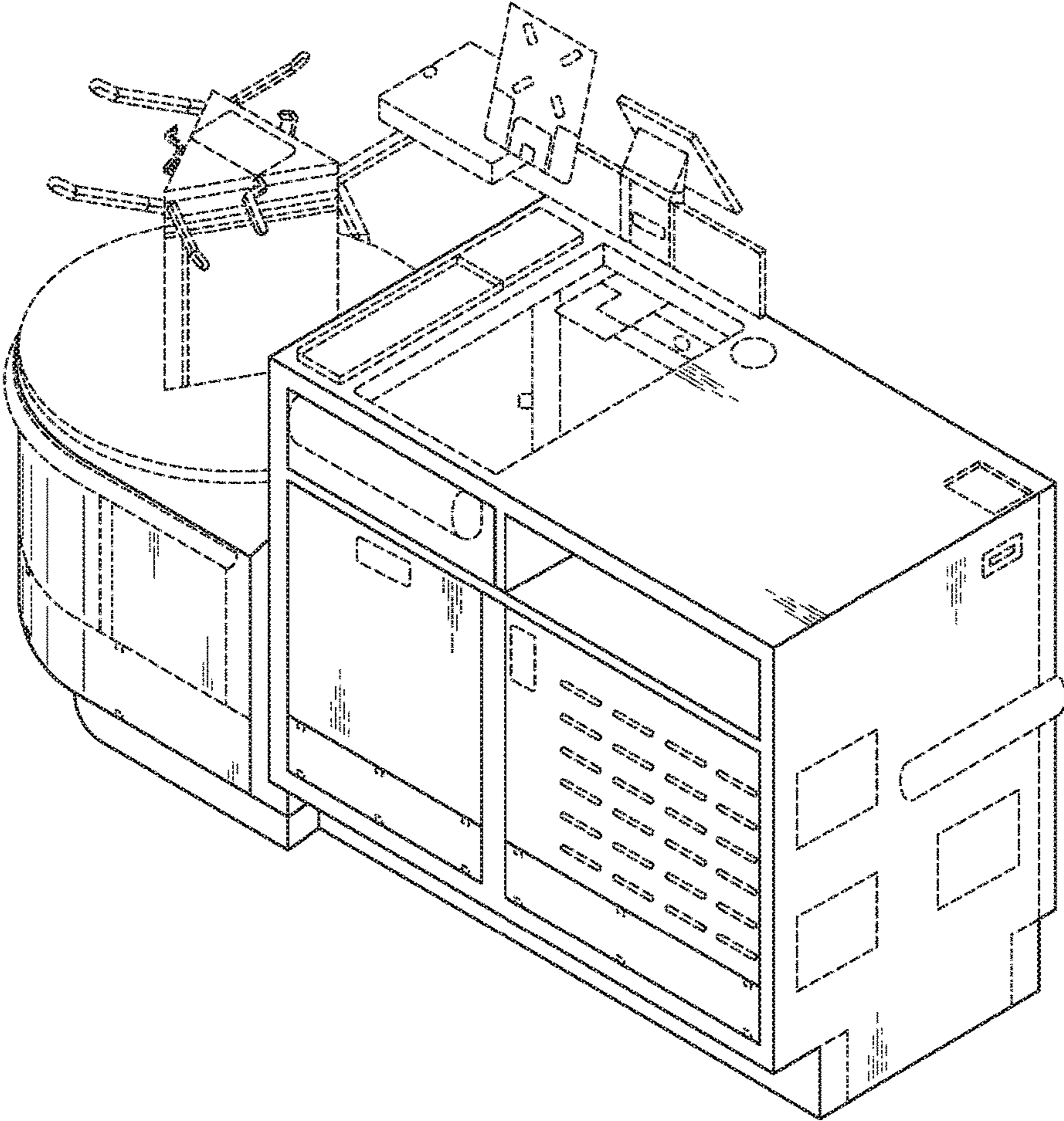


FIG. 1

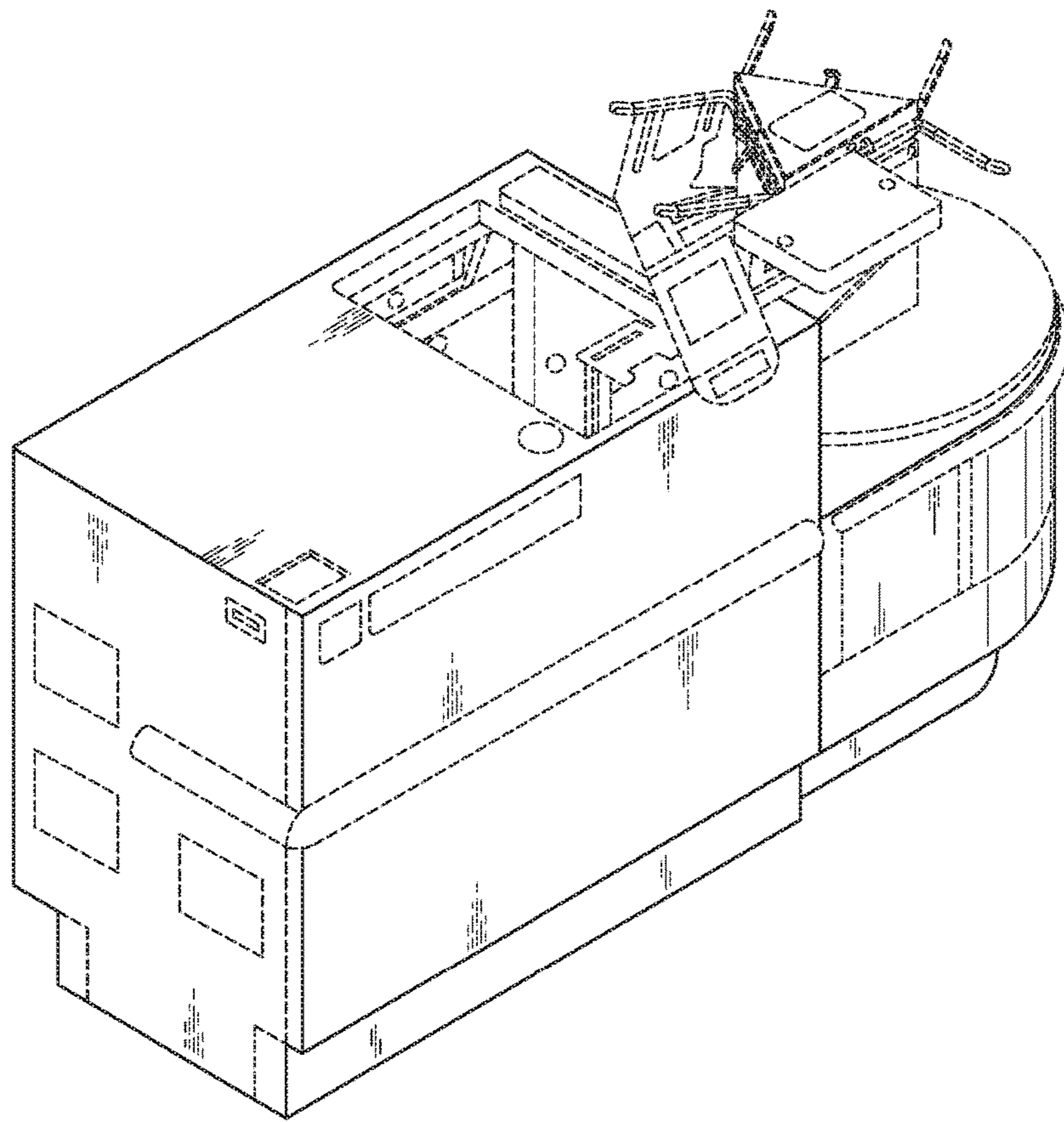


FIG. 2

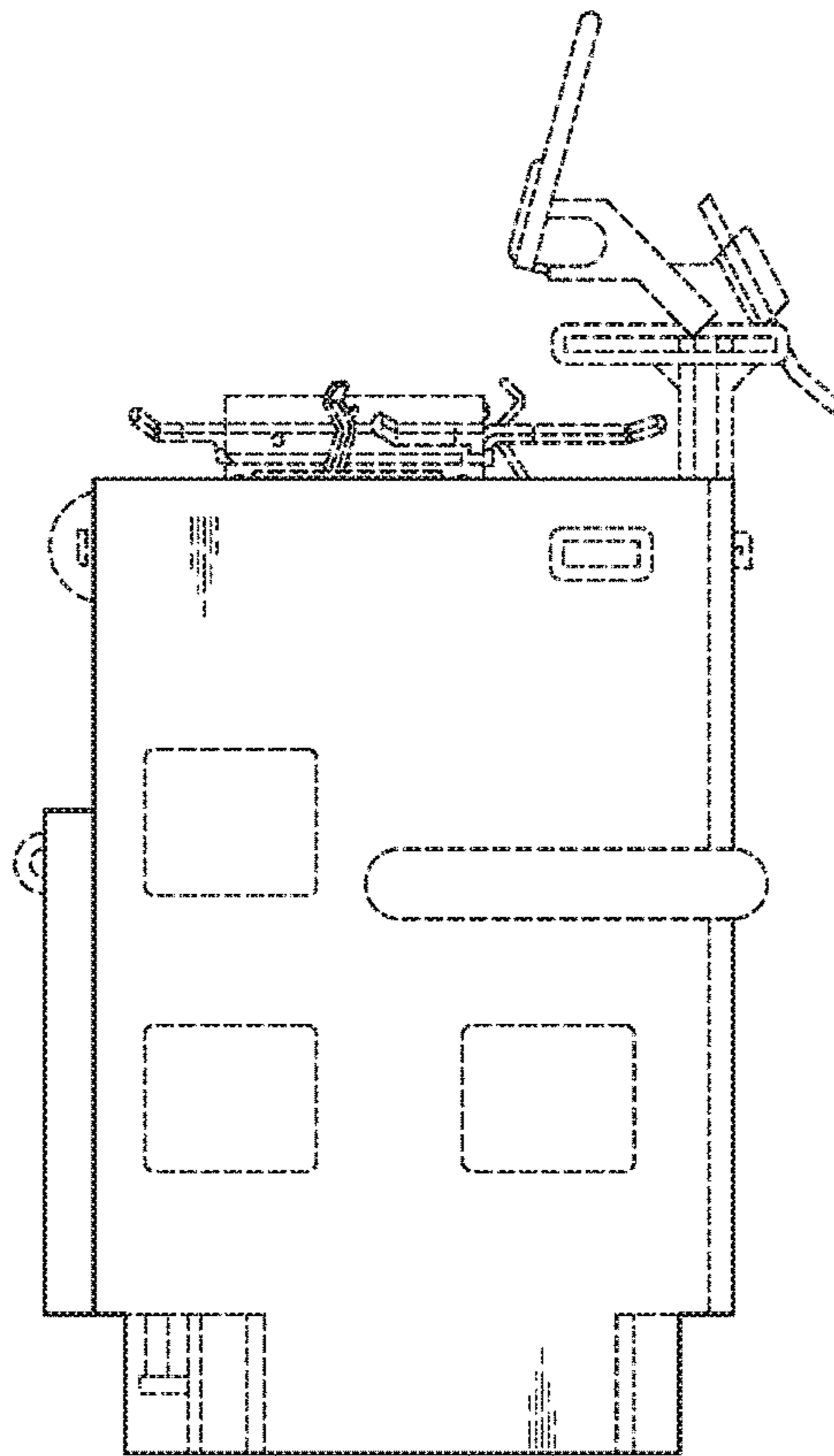


FIG. 3

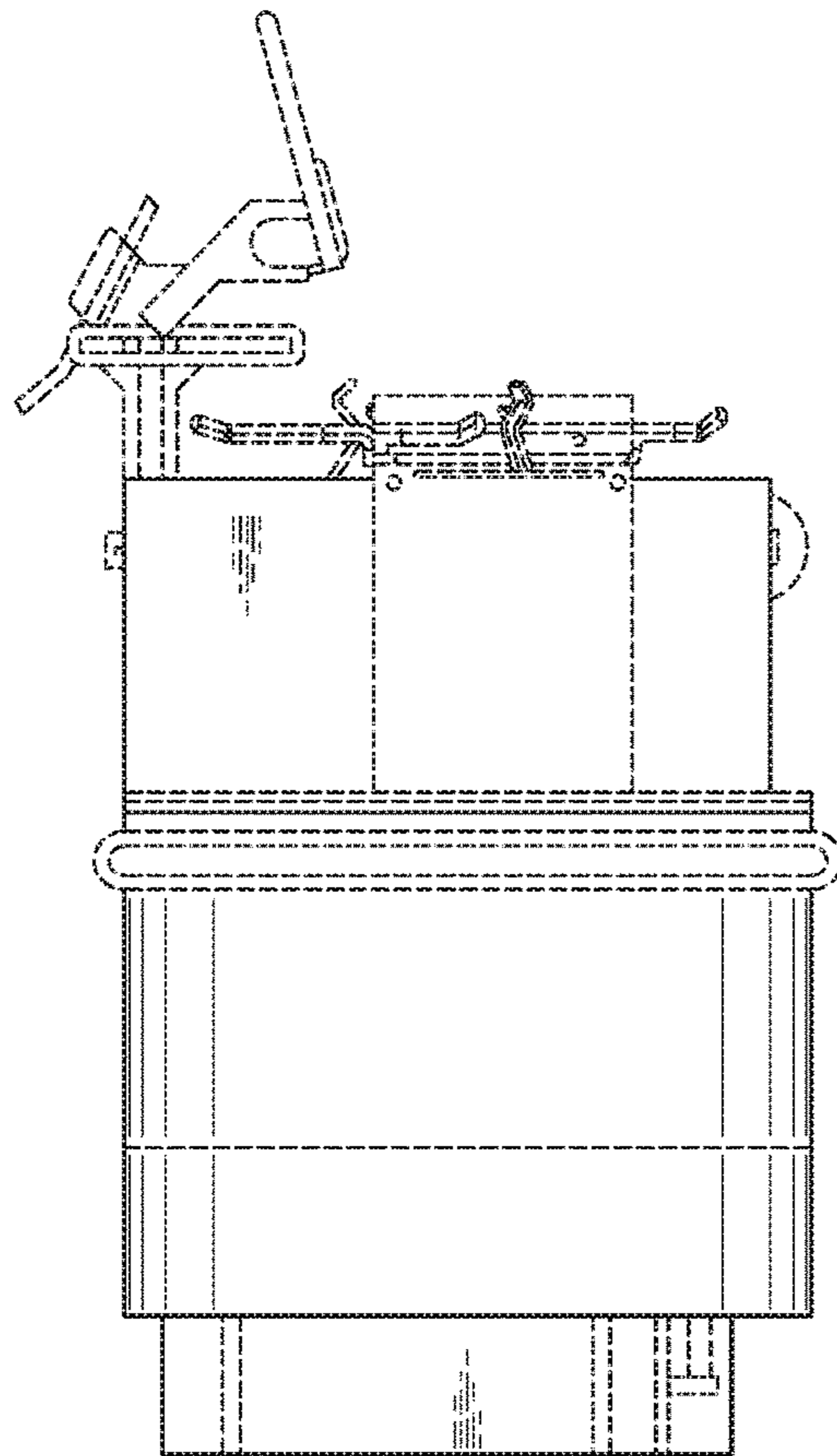


FIG. 4

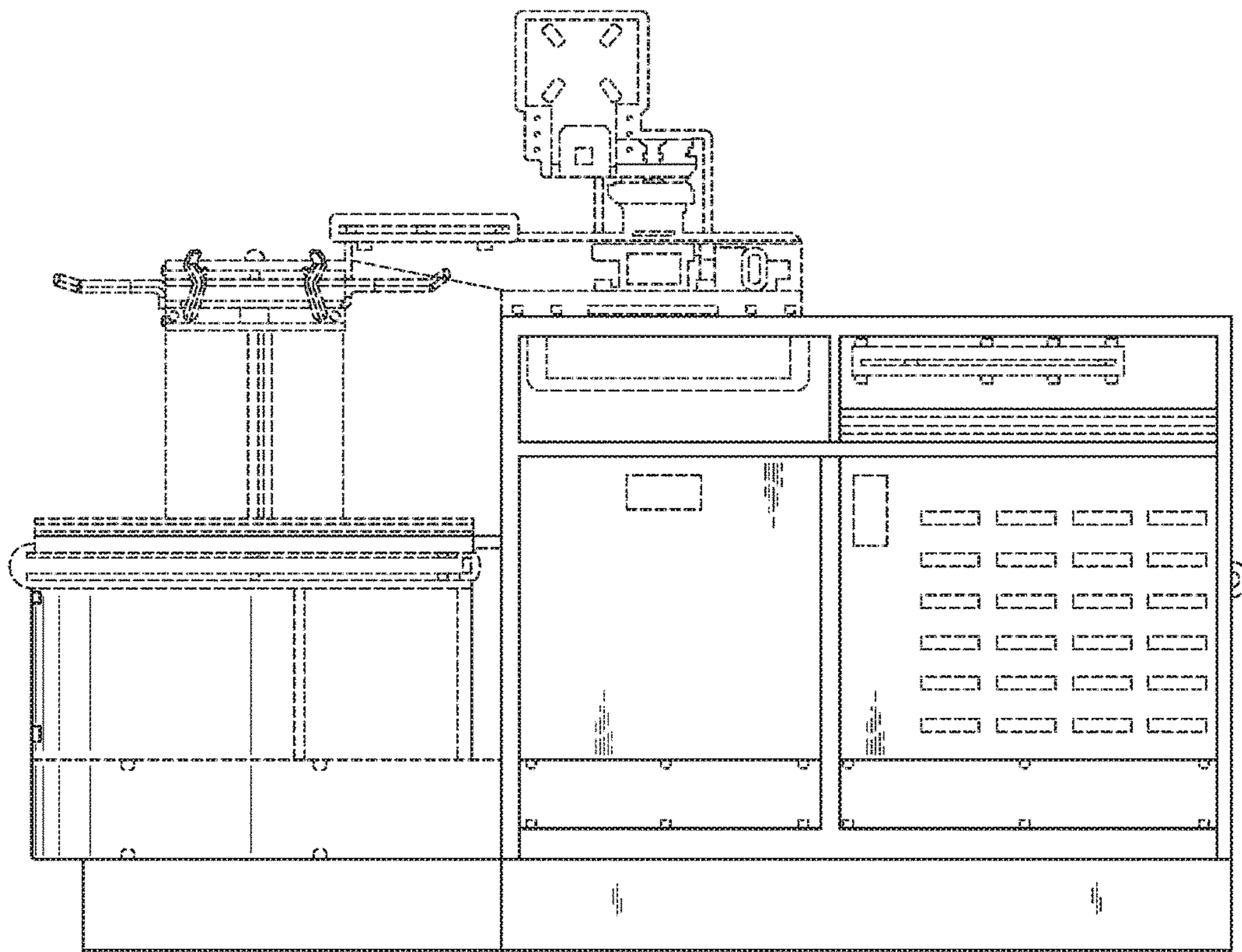


FIG. 5

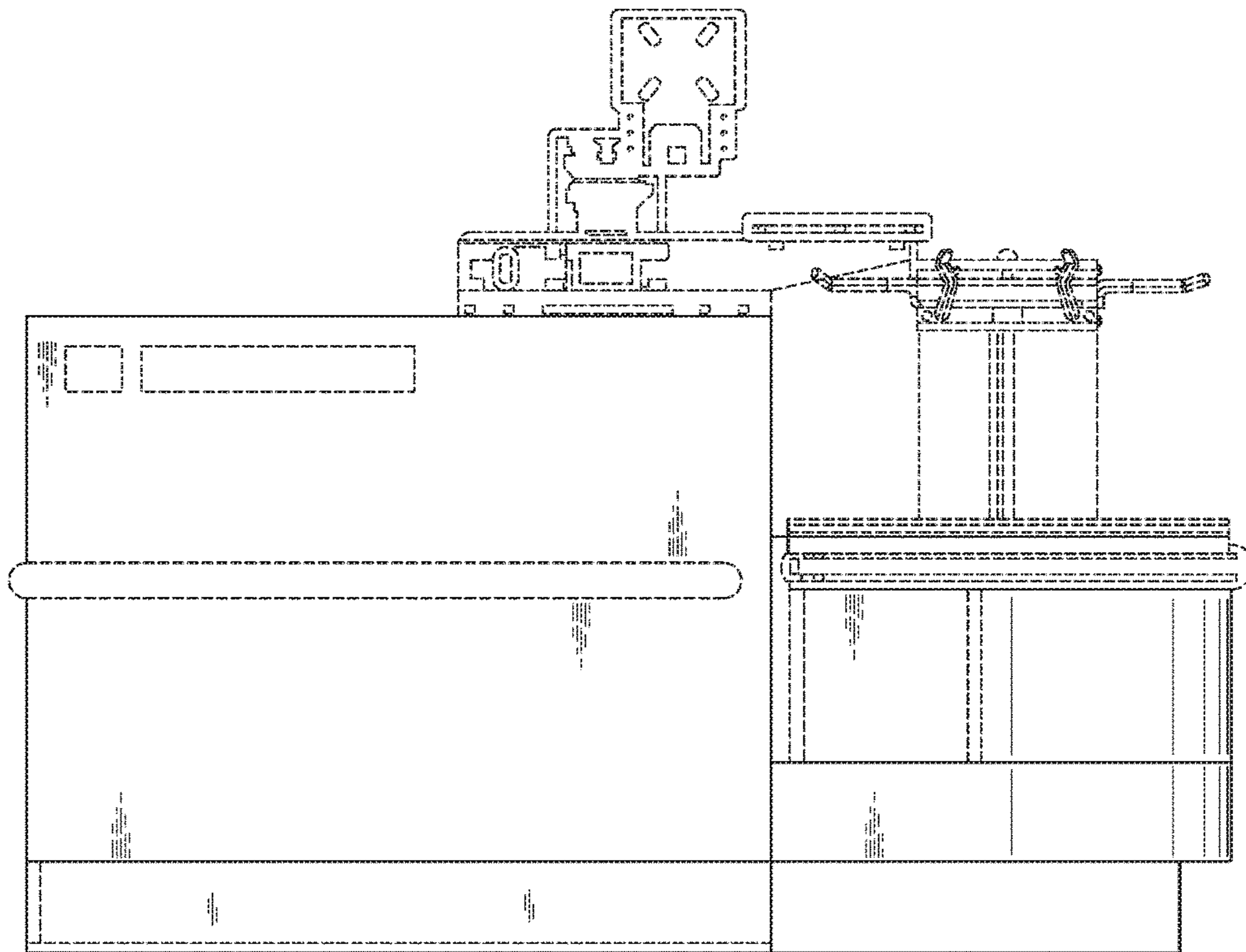


FIG. 6

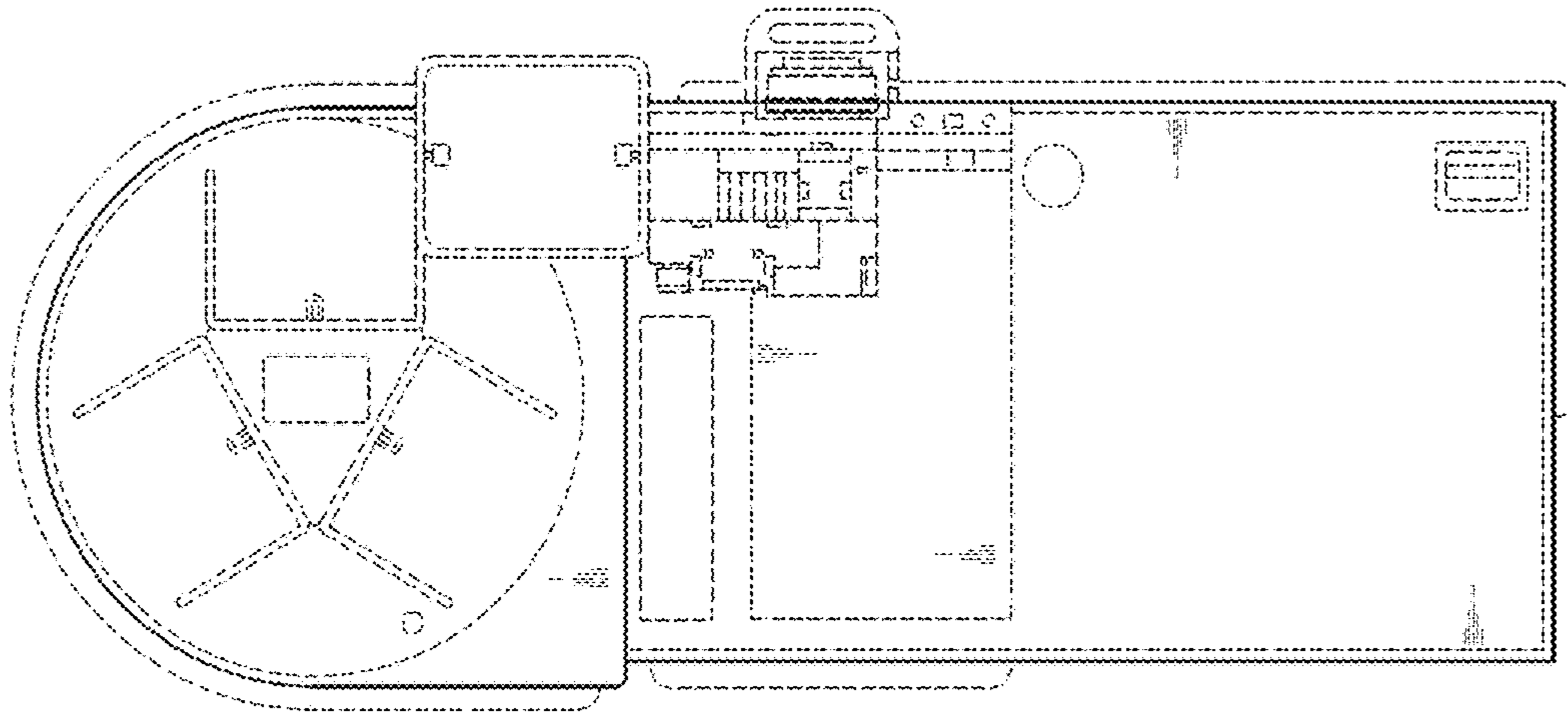


FIG. 7

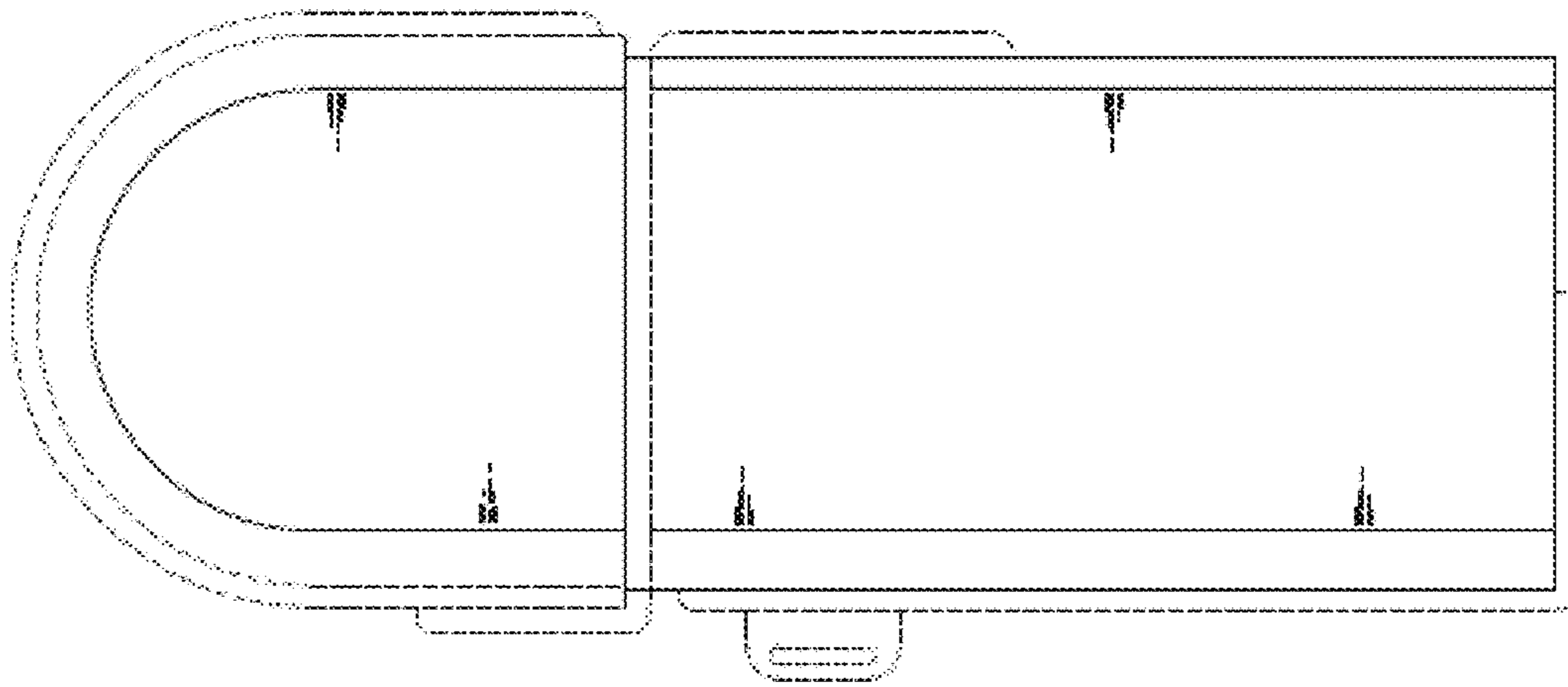


FIG. 8