



US00D864634S

(12) **United States Design Patent**
Larsen

(10) **Patent No.:** **US D864,634 S**
(45) **Date of Patent:** **** Oct. 29, 2019**

(54) **ADJUSTABLE TABLE**

(71) Applicant: **Tim Larsen**, Minnetonka, MN (US)

(72) Inventor: **Tim Larsen**, Minnetonka, MN (US)

(**) Term: **15 Years**

(21) Appl. No.: **29/630,813**

(22) Filed: **Dec. 22, 2017**

(51) **LOC (12) Cl.** **06-03**

(52) **U.S. Cl.**
USPC **D6/691.1; D6/686**

(58) **Field of Classification Search**
USPC D6/685, 686, 691, 691.1–691.9
CPC A47B 1/00; A47B 1/03; A47B 1/10; A47B
2001/035; A47B 2001/105; A47B 3/00;
A47B 7/00; A47B 21/00; A47B 13/00;
A47B 13/003; A47B 13/02; A47B 13/04;
A47B 13/06; A47B 13/08; A47B 13/081;
A47B 13/12; A47B 2200/0001; A47B
2200/0011; A47B 2200/005; A47B
2200/0035; A47B 2200/0036; A47B
2200/004
See application file for complete search history.

(56) **References Cited**

U.S. PATENT DOCUMENTS

1,473,323 A * 11/1923 Schimmel A47B 1/05
108/69
D348,993 S * 7/1994 Cybula D6/337
D561,496 S * 2/2008 Kreiss A47B 1/05
D6/691.4

D689,307 S * 9/2013 Burt D6/686
D689,308 S * 9/2013 Burt D6/686
2018/0326571 A1* 11/2018 Kidd B25H 1/02

* cited by examiner

Primary Examiner — Mary Ann Calabrese

(74) *Attorney, Agent, or Firm* — Crawford Maunu PLLC

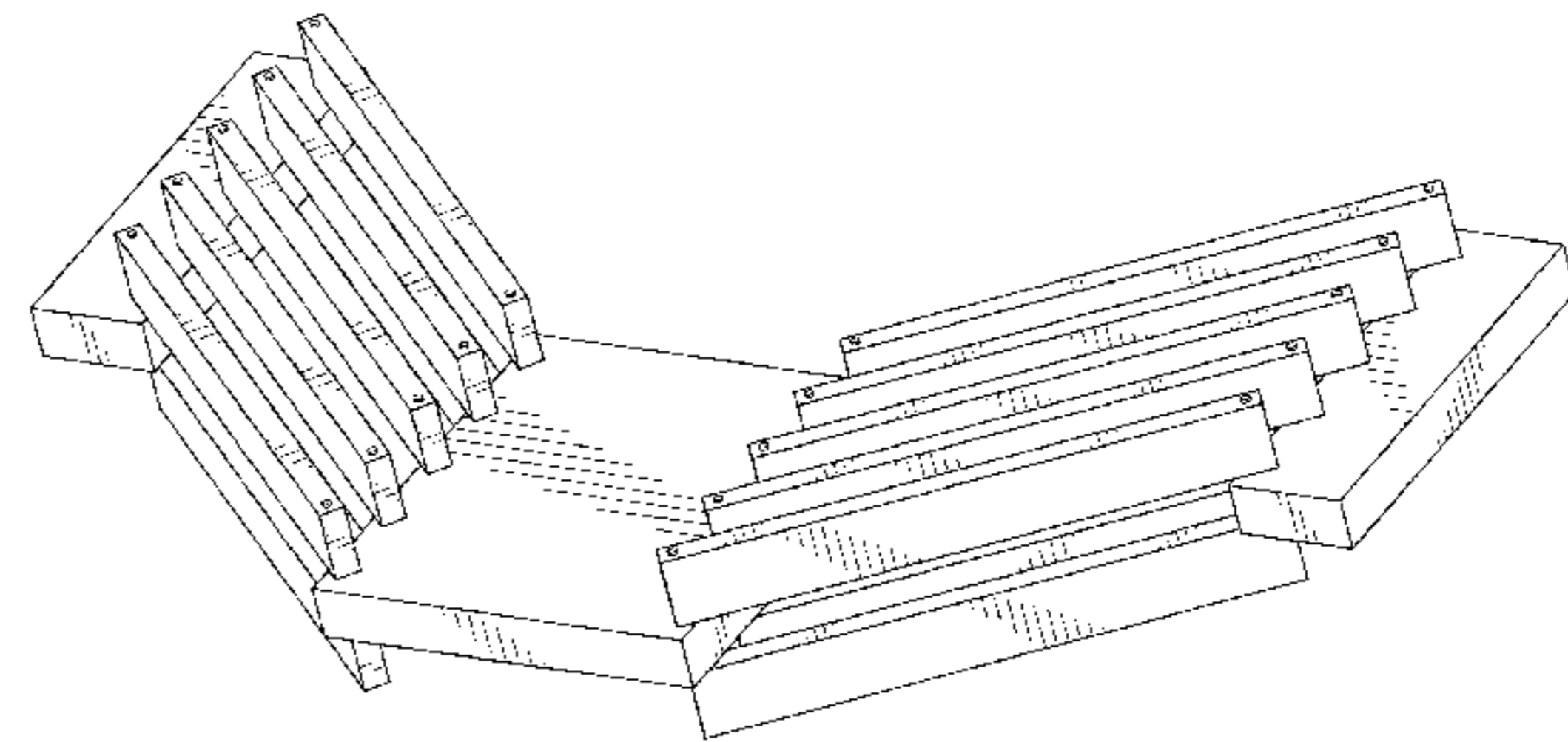
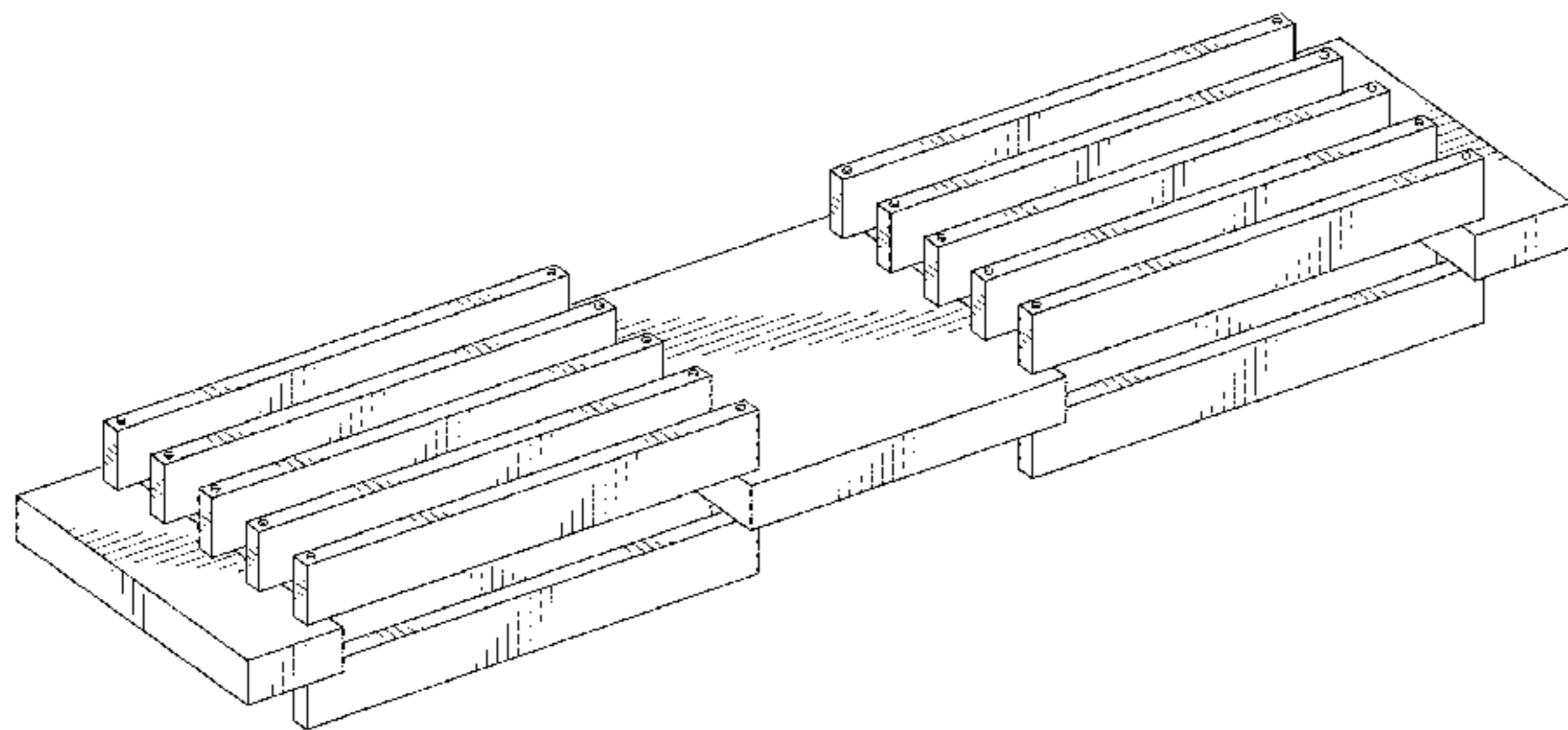
(57) **CLAIM**

The ornamental design for adjustable table, as shown and described.

DESCRIPTION

FIG. 1 is a perspective view of an adjustable table, from a topside, according to the present design;
FIG. 2 is another perspective view of the adjustable table in FIG. 1, from an underside, according to the present design;
FIG. 3 is a top view of the adjustable table in FIG. 1, according to the present design;
FIG. 4 is an end view of the adjustable table in FIG. 1, according the present design;
FIG. 5 is a front view of the adjustable table in FIG. 1, according to the present design;
FIG. 6 is a top view of an adjustable table, according to the present design, shown in an alternate position of use;
FIG. 7 is a topside perspective view of the adjustable table in FIG. 6, according to the present design;
FIG. 8 is a top view of an adjustable table, according to the present design, shown in a second alternate position of use; and,
FIG. 9 is a topside perspective view of the adjustable table in FIG. 8, from a topside, according to the present design.

1 Claim, 8 Drawing Sheets



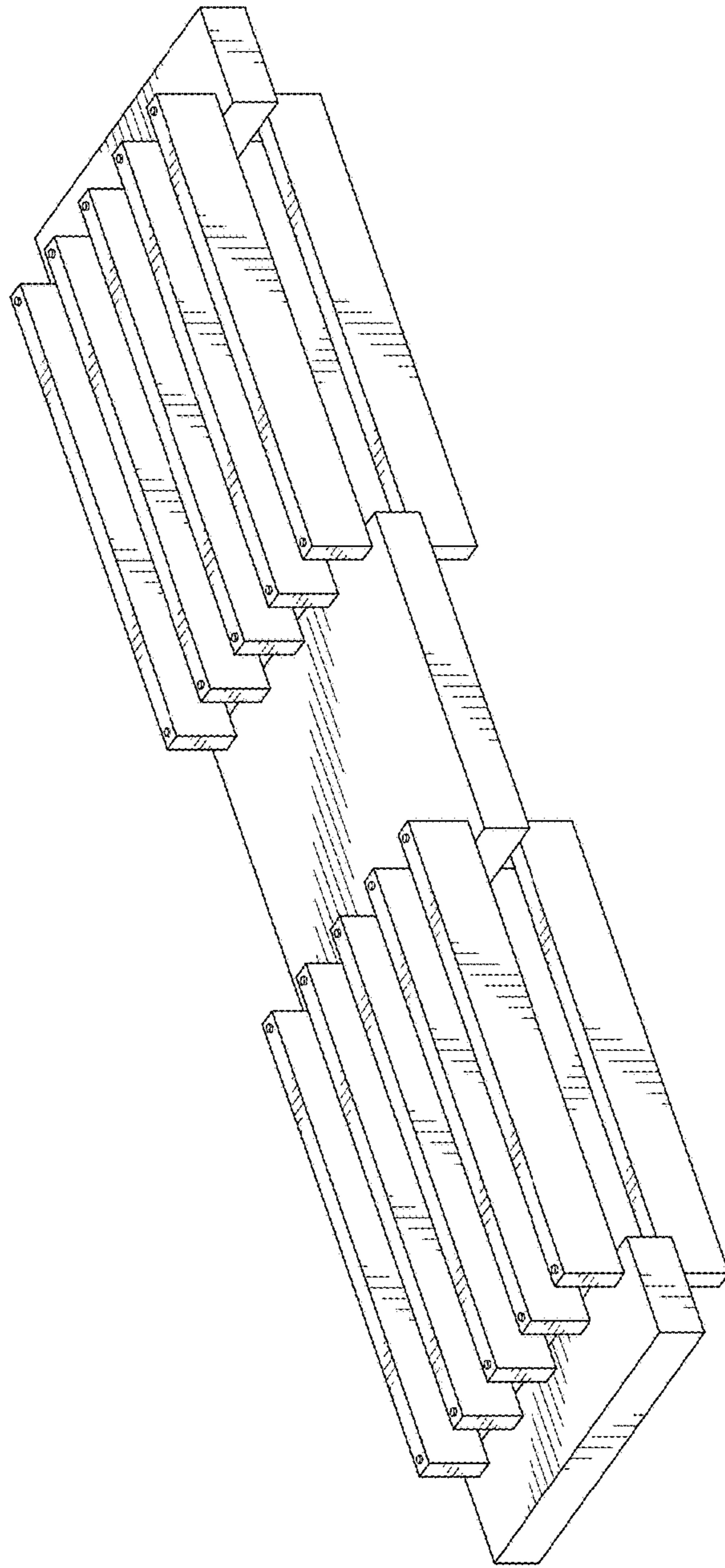


FIG. 1

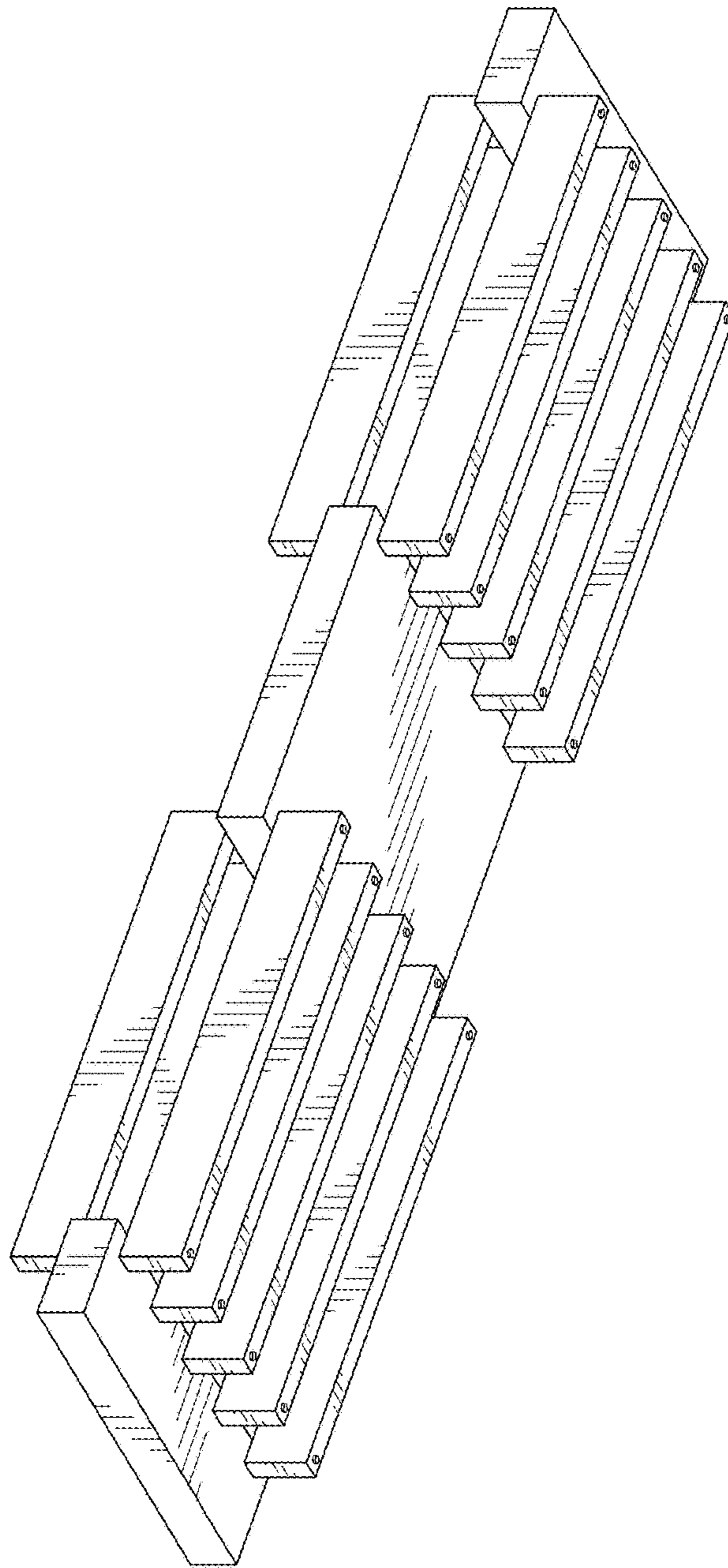


FIG. 2

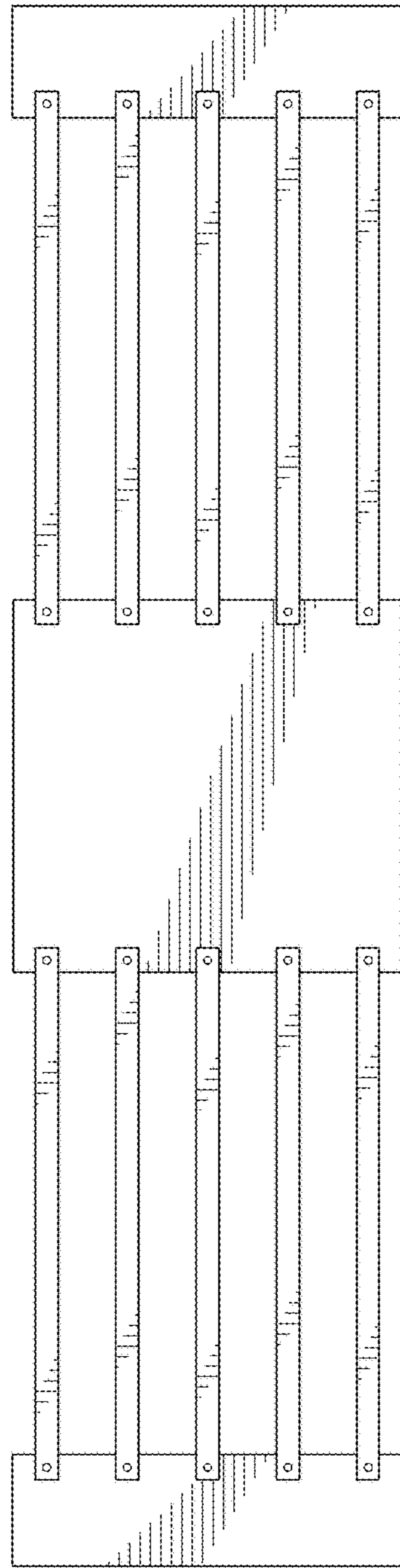


FIG. 3

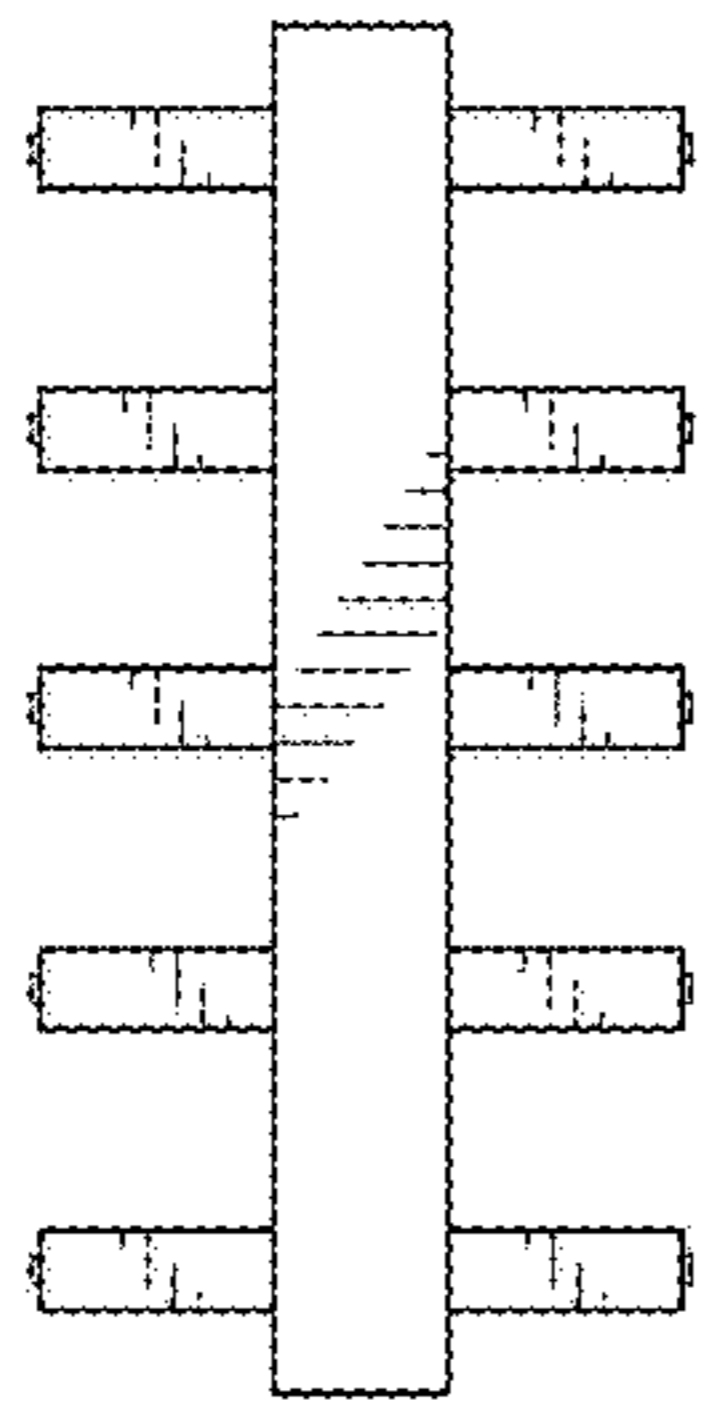


FIG. 4

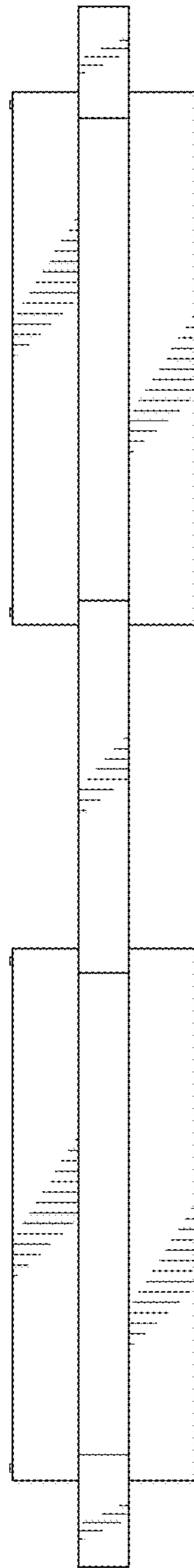


FIG. 5

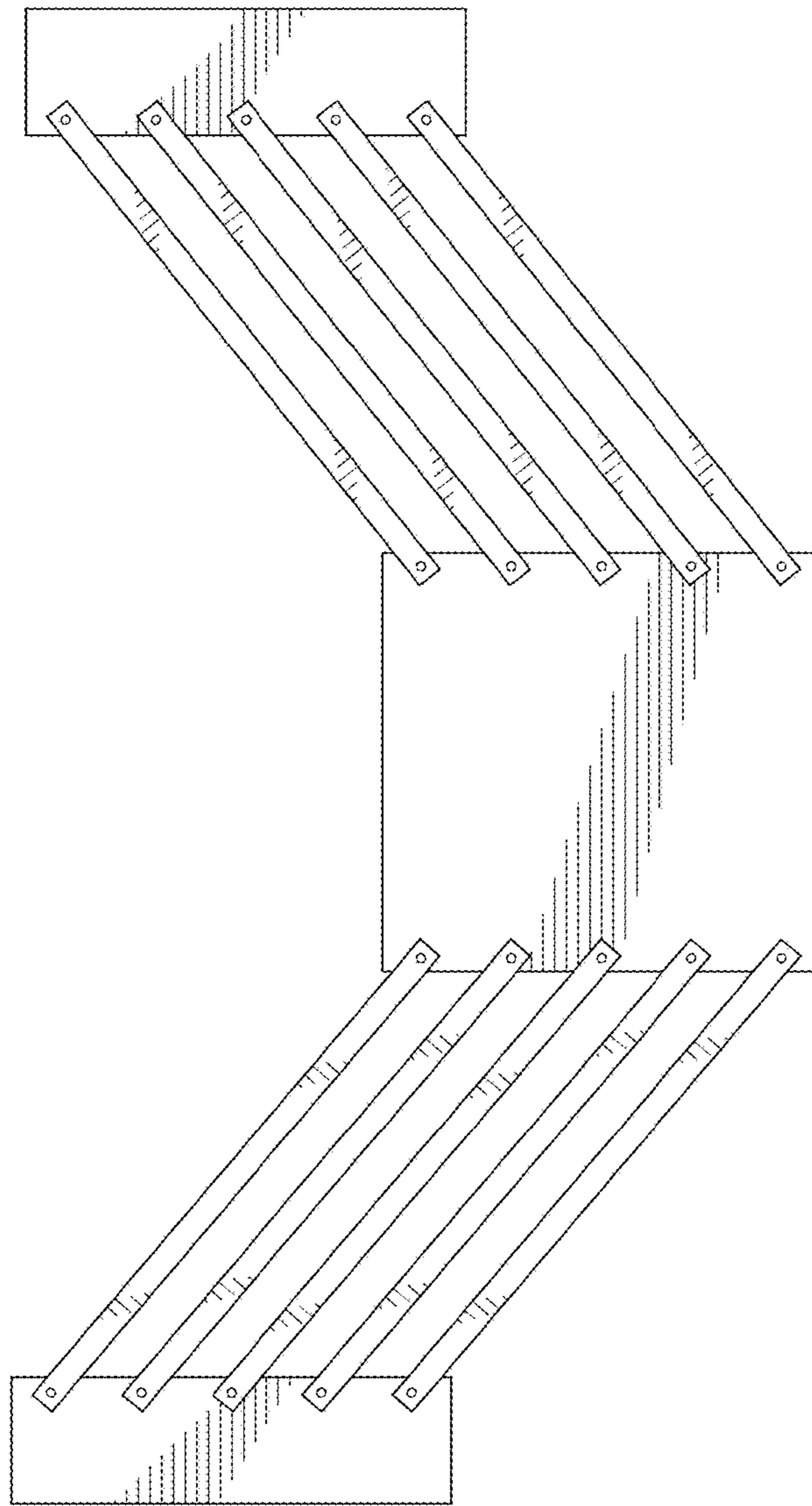


FIG. 6

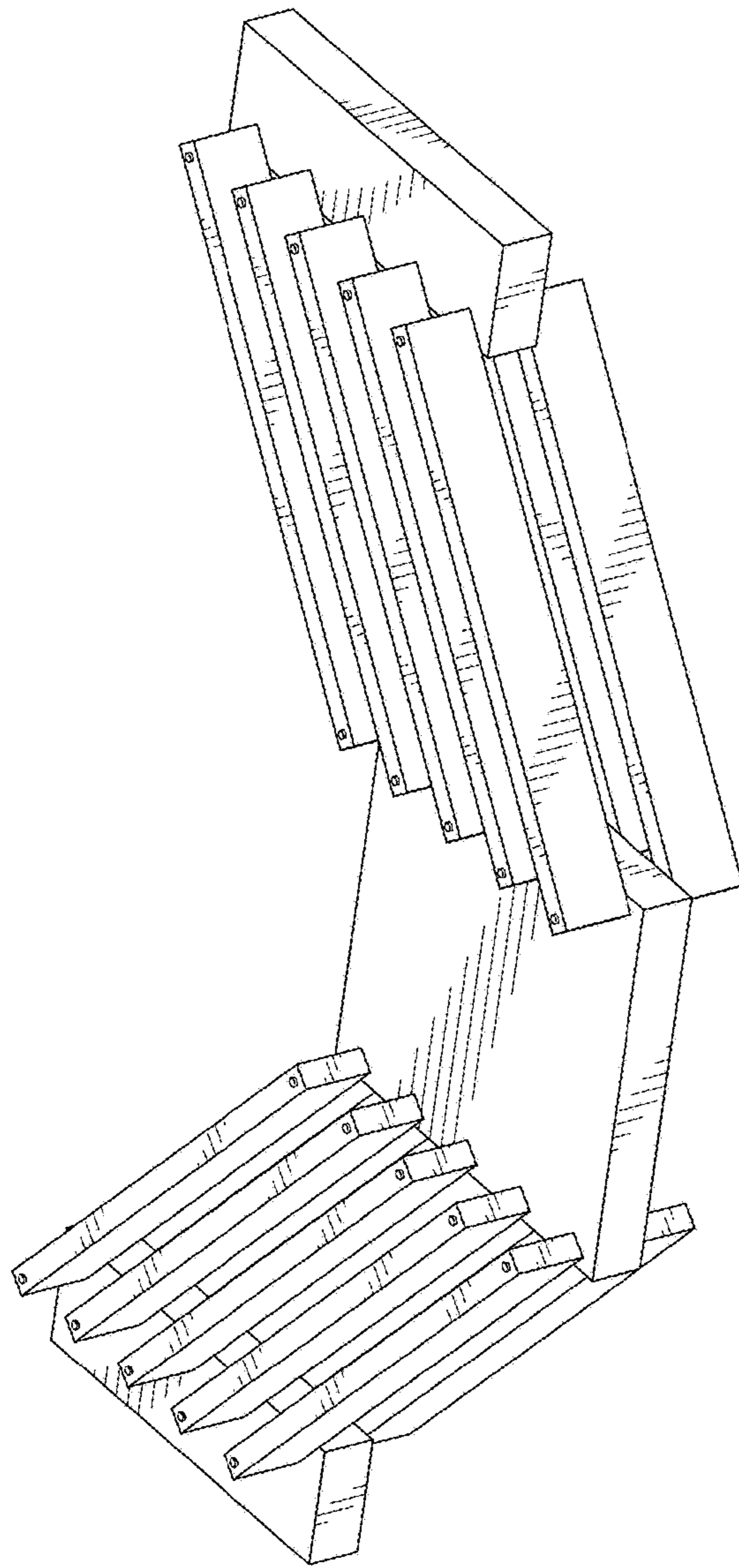


FIG. 7

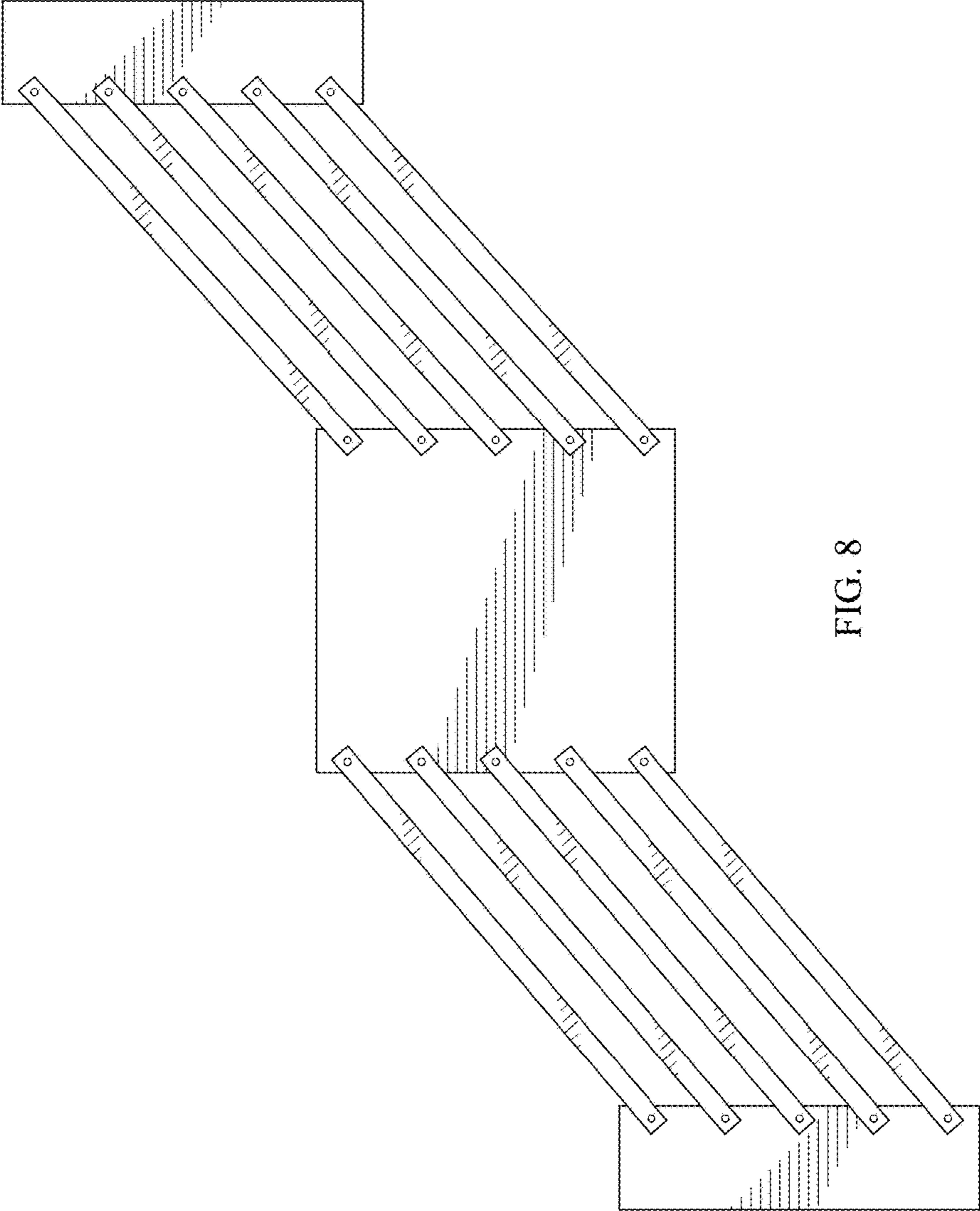


FIG. 8

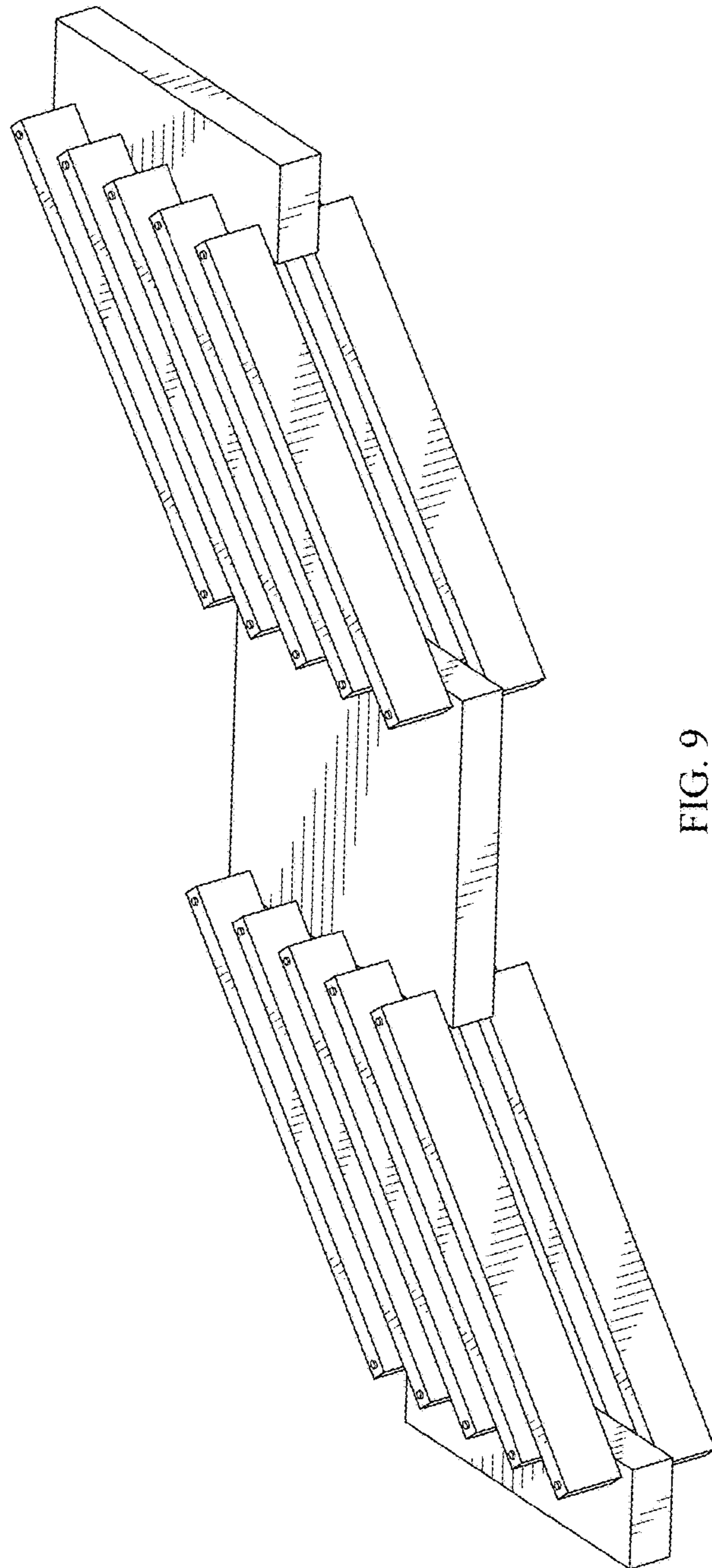


FIG. 9