



US00D864632S

(12) **United States Design Patent**
Sergeant

(10) **Patent No.:** **US D864,632 S**

(45) **Date of Patent:** **** Oct. 29, 2019**

(54) **TABLE**
(71) Applicant: **Edward Sergeant**, Little Rock, AR
(US)
(72) Inventor: **Edward Sergeant**, Little Rock, AR
(US)
(**) Term: **15 Years**
(21) Appl. No.: **29/628,276**

D229,652 S * 12/1973 Brooke, Jr. D6/691
D229,808 S * 1/1974 McDonald D6/691
D238,404 S * 1/1976 Owens A47B 1/05
D21/522
D276,675 S * 12/1984 Hamami D6/691
D284,339 S * 6/1986 Berry, Jr. D6/687
D386,631 S * 11/1997 Meier D6/656.1
D401,790 S * 12/1998 Buell D6/687
D489,200 S * 5/2004 Antonioni D6/655.21
D784,741 S * 4/2017 Mann D6/656.16
D841,377 S * 2/2019 Jacoby D6/691.7
2005/0229822 A1* 10/2005 Tzeng A47B 1/05
108/91

(22) Filed: **Dec. 4, 2017**
(51) **LOC (12) Cl.** **06-03**
(52) **U.S. Cl.**
USPC **D6/691**
(58) **Field of Classification Search**
USPC D6/641, 656, 656.13, 656.14, 656.16,
D6/656.18, 685-687, 691, 691.1-691.9
CPC A47B 7/00; A47B 7/02; A47B 9/00; A47B
13/00; A47B 13/003; A47B 13/02; A47B
13/04; A47B 13/06; A47B 13/08; A47B
13/12; A47B 21/00; A47B 2200/0001;
A47B 2200/0011; A47B 2200/002
See application file for complete search history.

(56) **References Cited**
U.S. PATENT DOCUMENTS

D169,867 S * 6/1953 Sanford 108/60
D222,278 S * 10/1971 Thornhill 108/156

* cited by examiner

Primary Examiner — Mary Ann Calabrese
(74) *Attorney, Agent, or Firm* — Wright, Lindsay &
Jennings LLP; K. Brandon Middleton

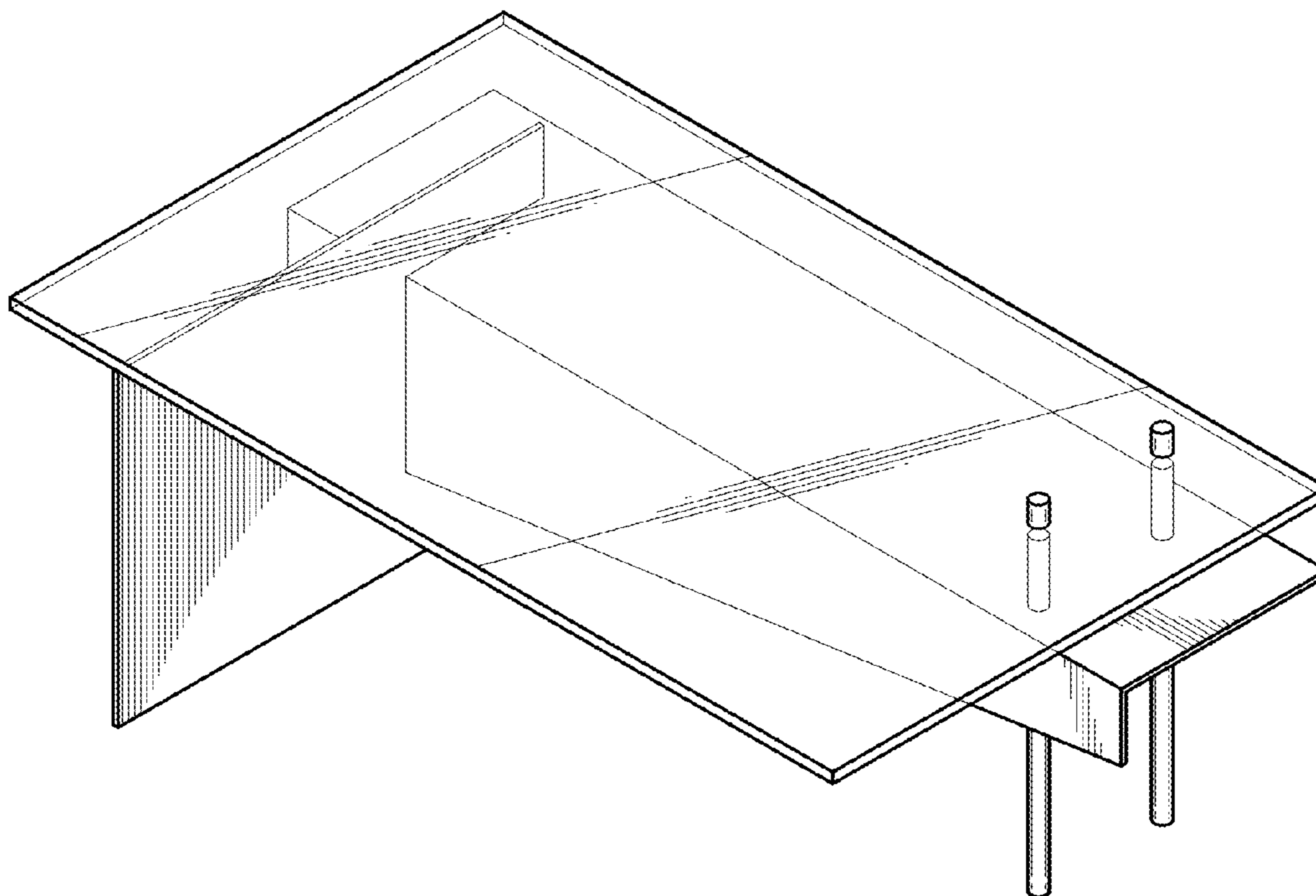
(57) **CLAIM**

The ornamental design for a table, as shown and described.

DESCRIPTION

FIG. 1 is a perspective view of a table showing my new design.
FIG. 2 is a top view thereof.
FIG. 3 is a front view thereof.
FIG. 4 is a bottom view thereof.
FIG. 5 is a back view thereof.
FIG. 6 is a right side view thereof; and,
FIG. 7 is a left side view thereof.

1 Claim, 4 Drawing Sheets



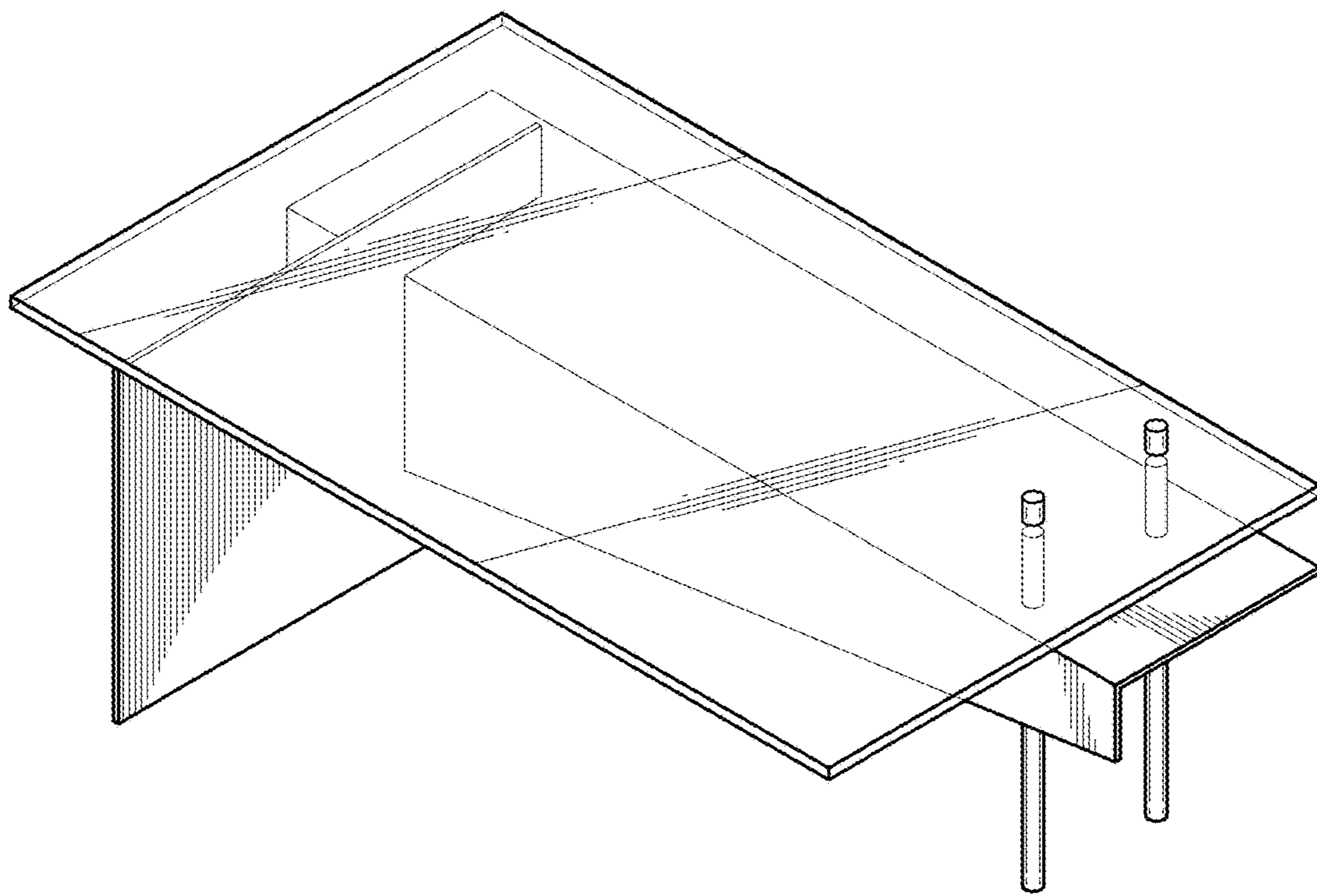


FIG. 1

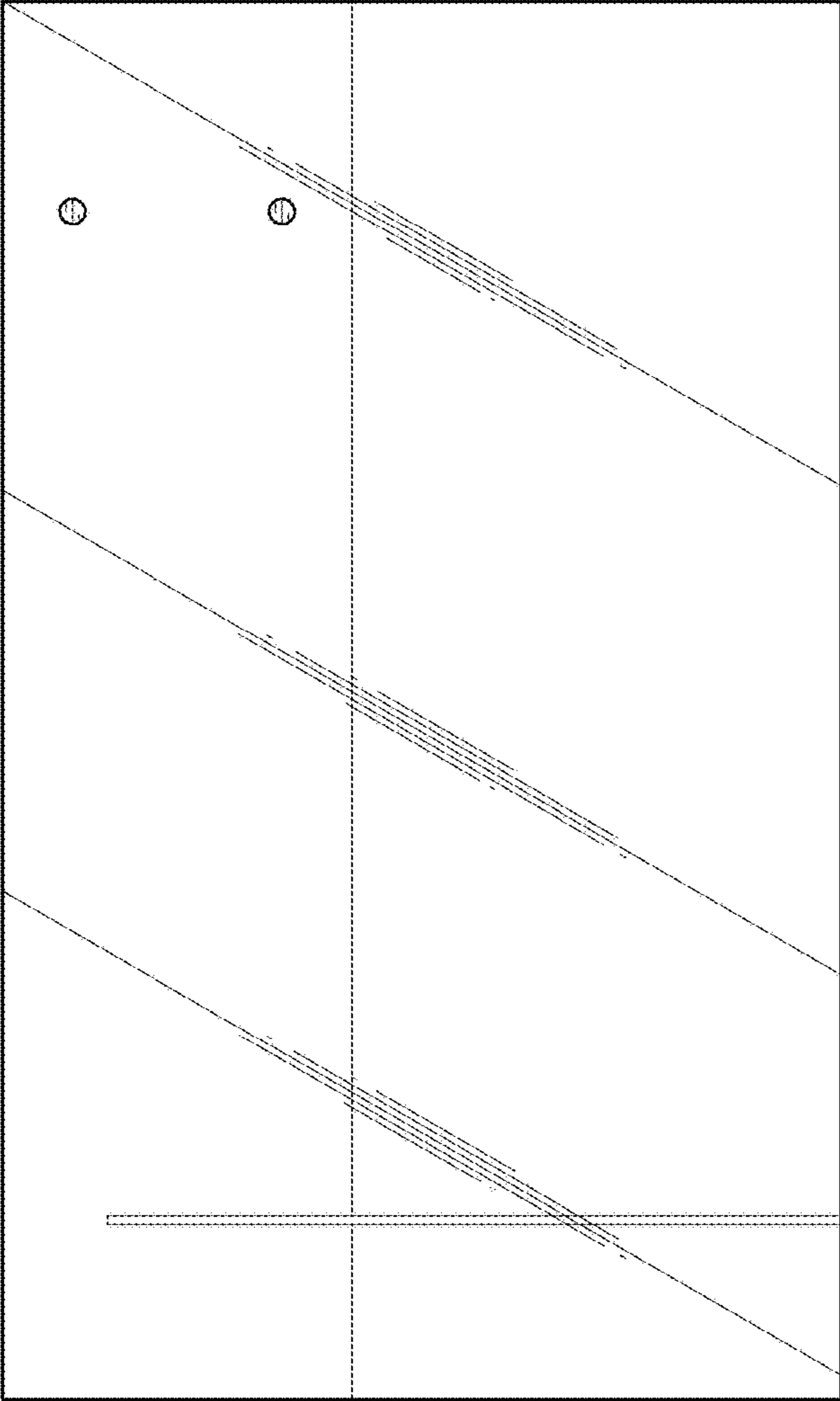


FIG. 2

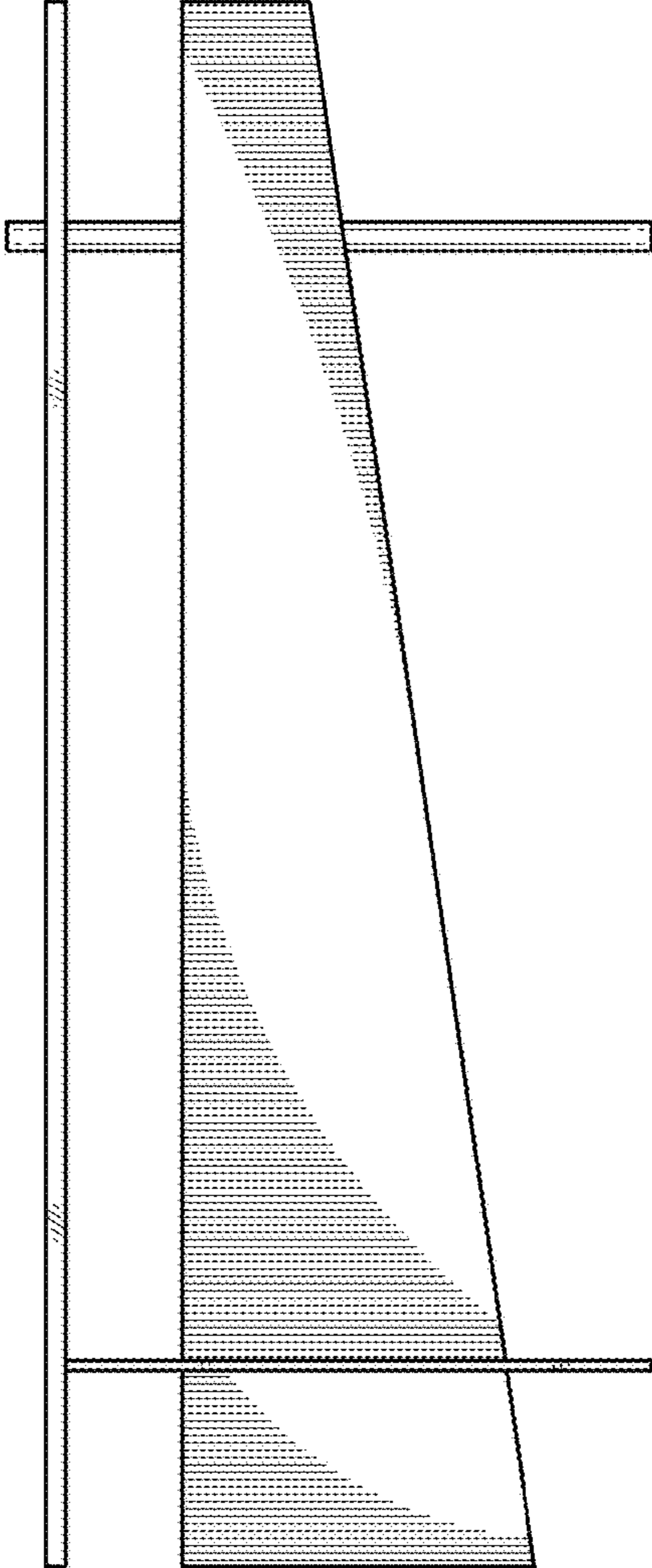


FIG. 3

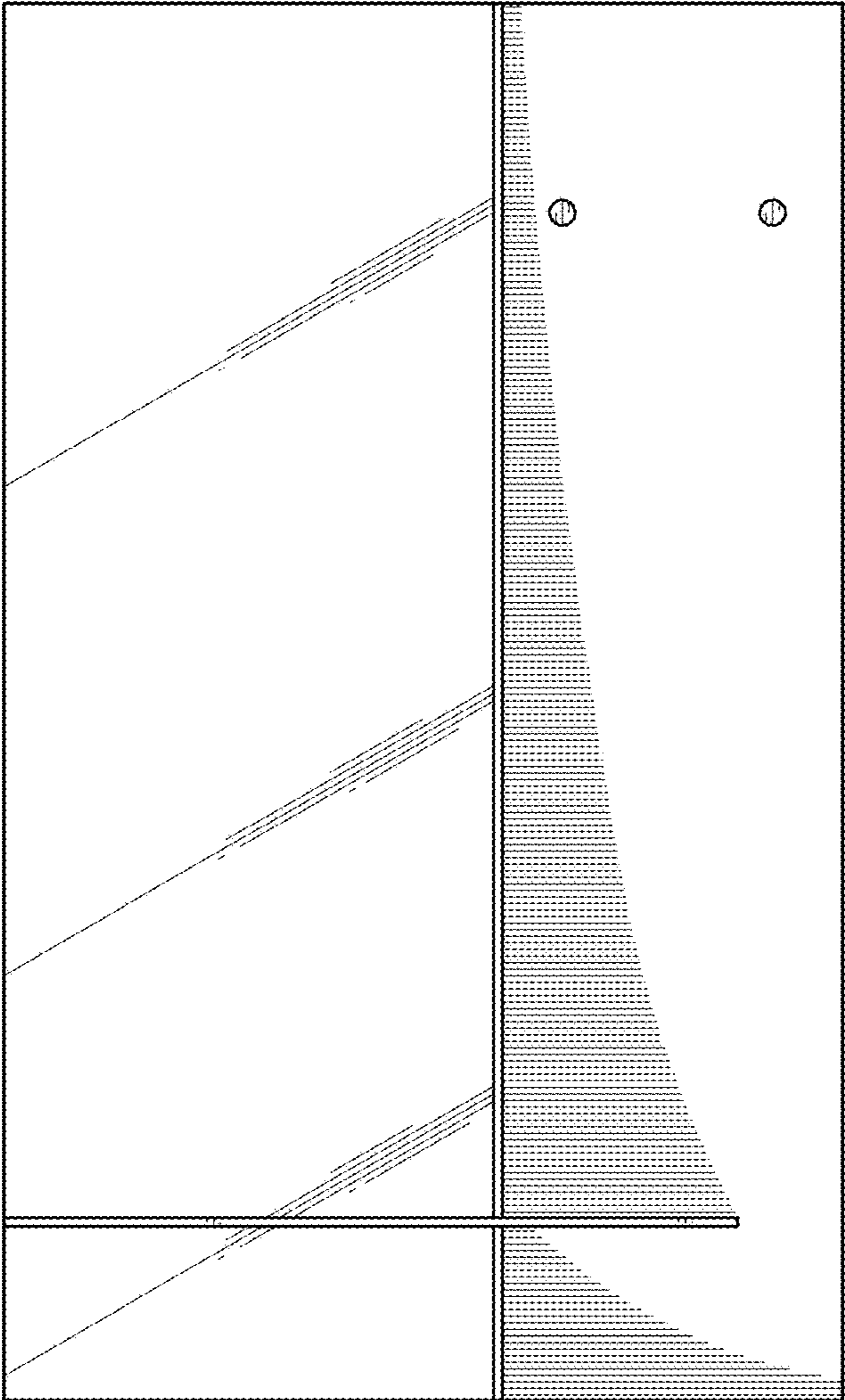


FIG. 4

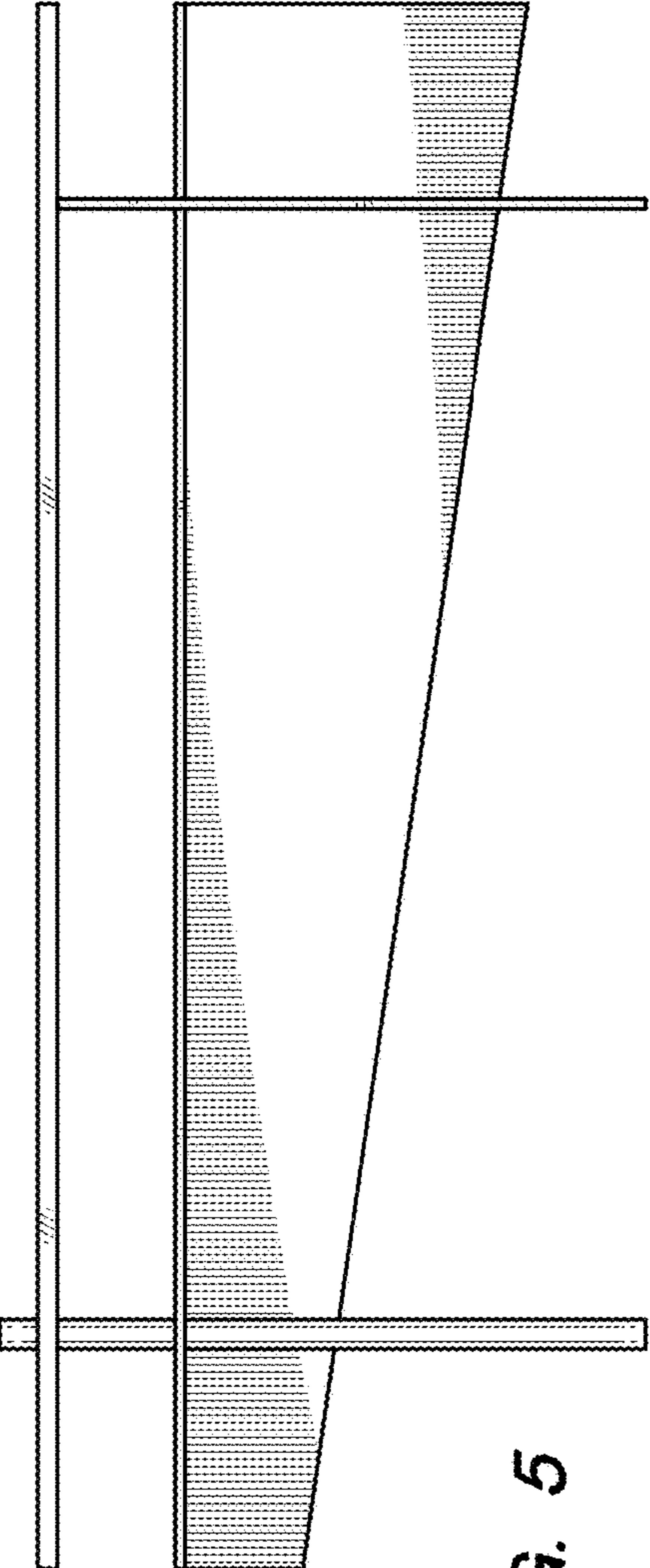


FIG. 5

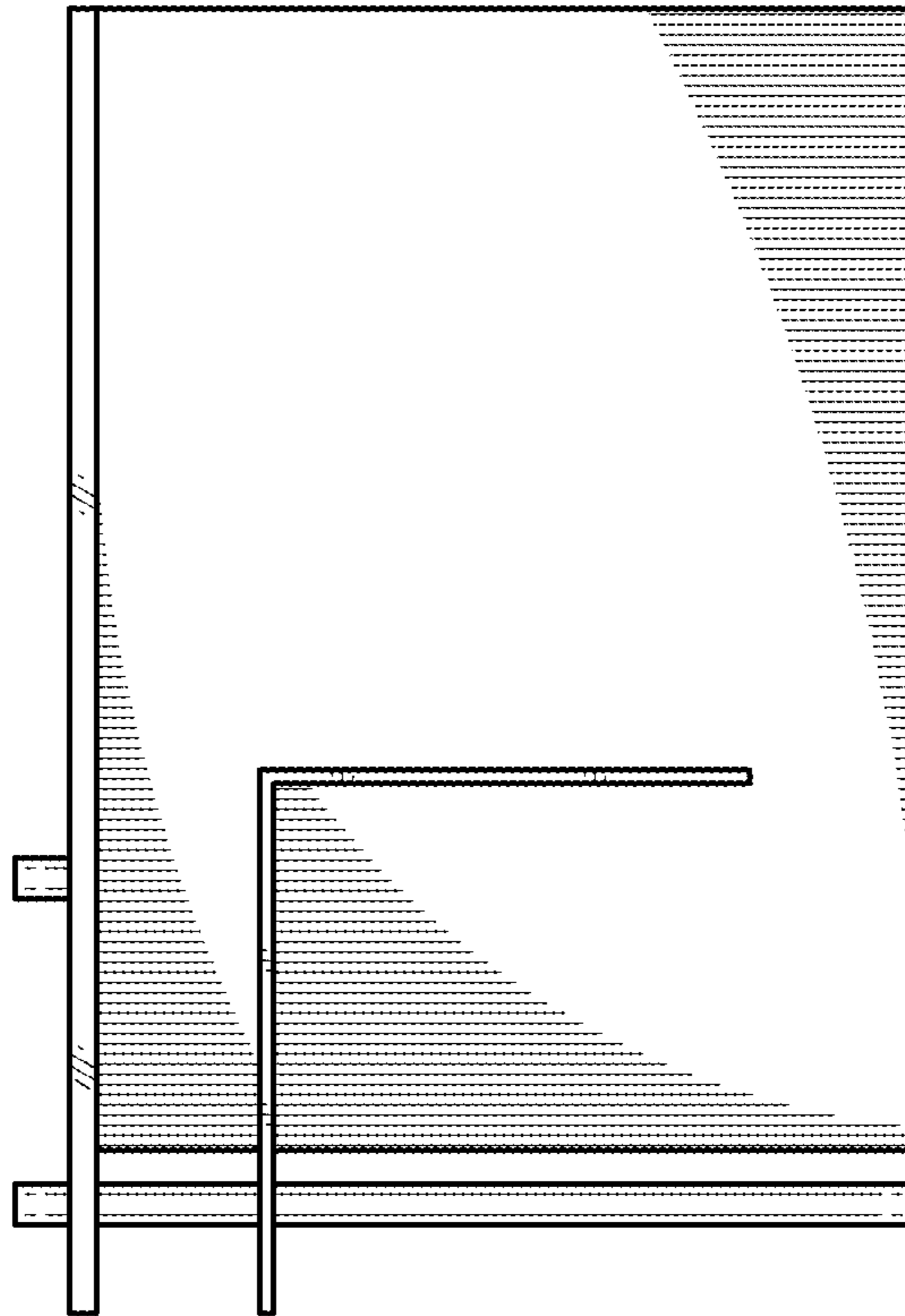


FIG. 7

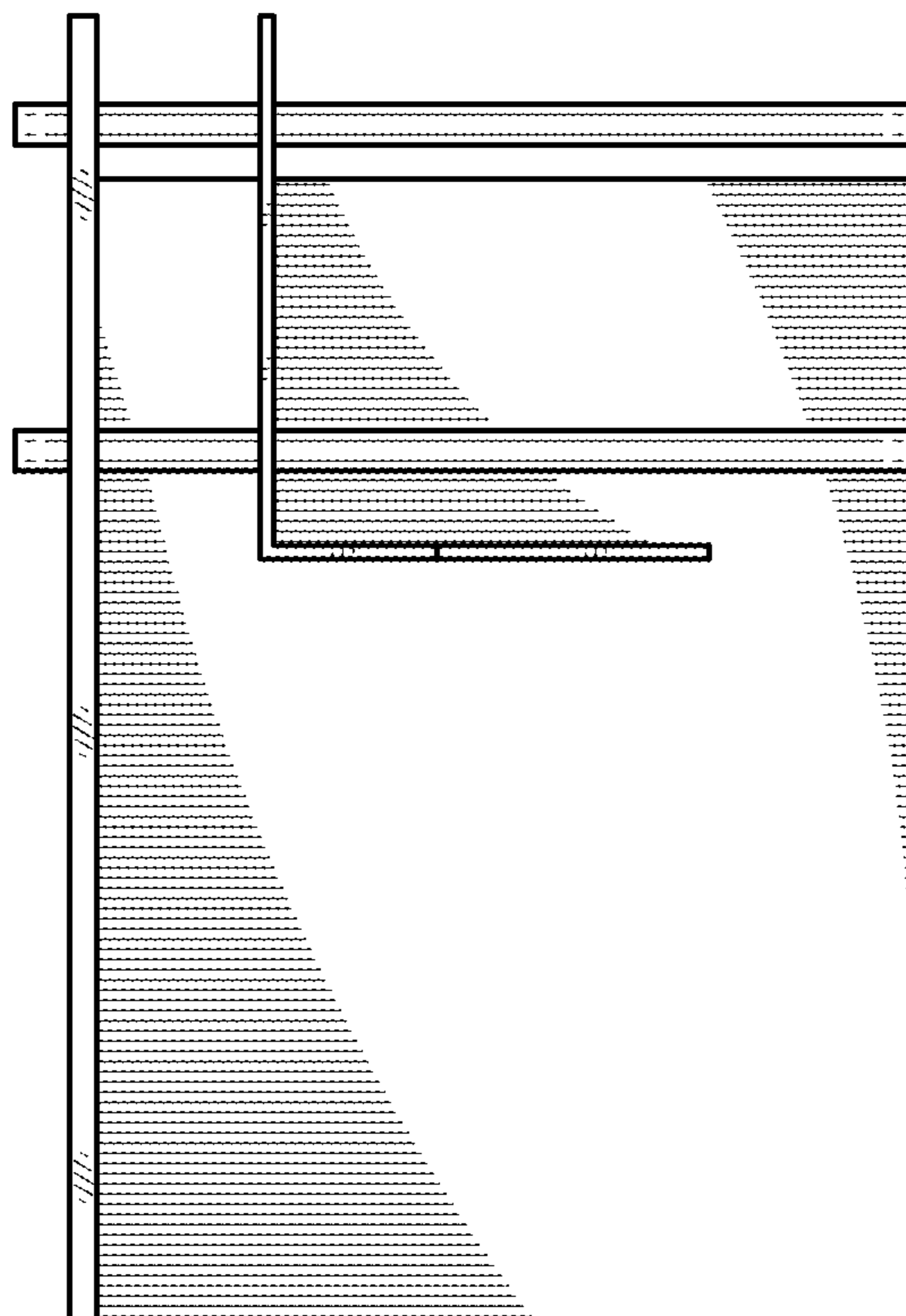


FIG. 6