

US00D864629S

(12) **United States Design Patent**
Velez et al.

(10) **Patent No.:** **US D864,629 S**
(45) **Date of Patent:** **** Oct. 29, 2019**

- (54) **COCKTAIL TABLE**
- (71) Applicant: **Holly Hunt Enterprises, Inc.**, Chicago, IL (US)
- (72) Inventors: **Alberto Velez**, Chicago, IL (US); **Holly Hunt**, Chicago, IL (US)
- (73) Assignee: **HOLLY HUNT ENTERPRISES, INC.**, Chicago, IL (US)

D284,336 S * 6/1986 Berry, Jr. D6/687
 D286,598 S * 11/1986 Berry, Jr. D6/707.15
 D287,679 S * 1/1987 Evans D6/687
 D349,416 S * 8/1994 Shimogori D6/687

* cited by examiner

Primary Examiner — Mary Ann Calabrese
(74) *Attorney, Agent, or Firm* — The Belles Group, P.C.

(**) Term: **15 Years**

(57) **CLAIM**

(21) Appl. No.: **29/624,804**

We claim the ornamental design for a cocktail table, as shown and described.

(22) Filed: **Nov. 3, 2017**

(51) **LOC (12) Cl.** **06-03**

(52) **U.S. Cl.**
USPC **D6/687**; D6/692.5; D6/692.6

(58) **Field of Classification Search**
USPC D6/641, 685–687, 692, 692.1–692.6
CPC .. A47B 7/00; A47B 7/02; A47B 13/00; A47B 13/003; A47B 13/02; A47B 13/04; A47B 13/06; A47B 13/08; A47B 13/12; A47B 21/00; A47B 2200/0001; A47B 2200/0011

See application file for complete search history.

DESCRIPTION

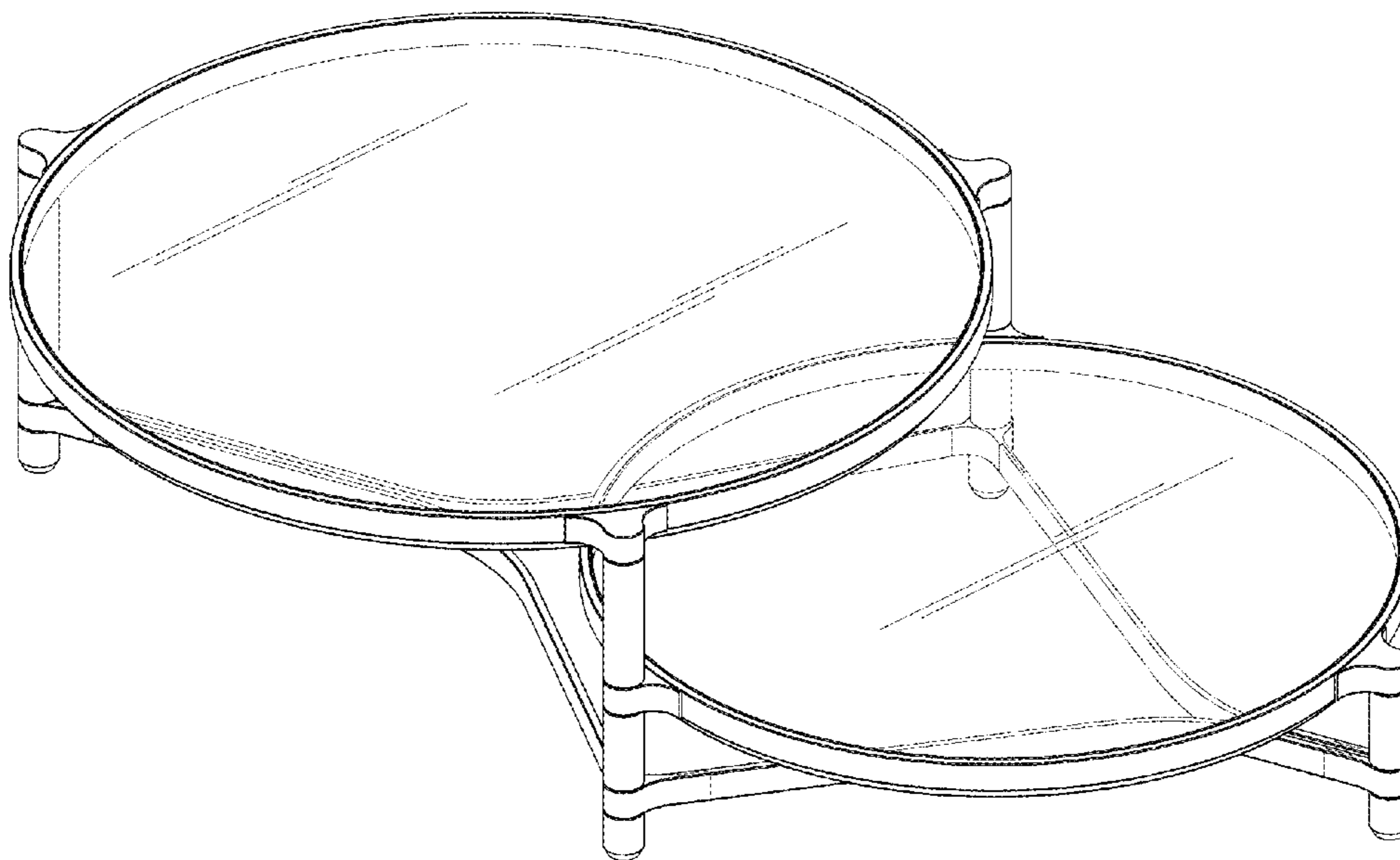
FIG. 1 is a perspective view of a cocktail table of the present design.
 FIG. 2 is a left side elevation view of the cocktail table of FIG. 1.
 FIG. 3 is a right side elevation view of the cocktail table of FIG. 1.
 FIG. 4 is a front elevation view of the cocktail table of FIG. 1.
 FIG. 5 is a rear elevation view of the cocktail table of FIG. 1.
 FIG. 6 is a top plan view of the cocktail table of FIG. 1; and, FIG. 7 is a bottom plan view of the cocktail table of FIG. 1.

(56) **References Cited**

U.S. PATENT DOCUMENTS

D236,054 S * 7/1975 Glunt D34/21
 D274,578 S * 7/1984 Berry, Jr. D6/692.3

1 Claim, 6 Drawing Sheets



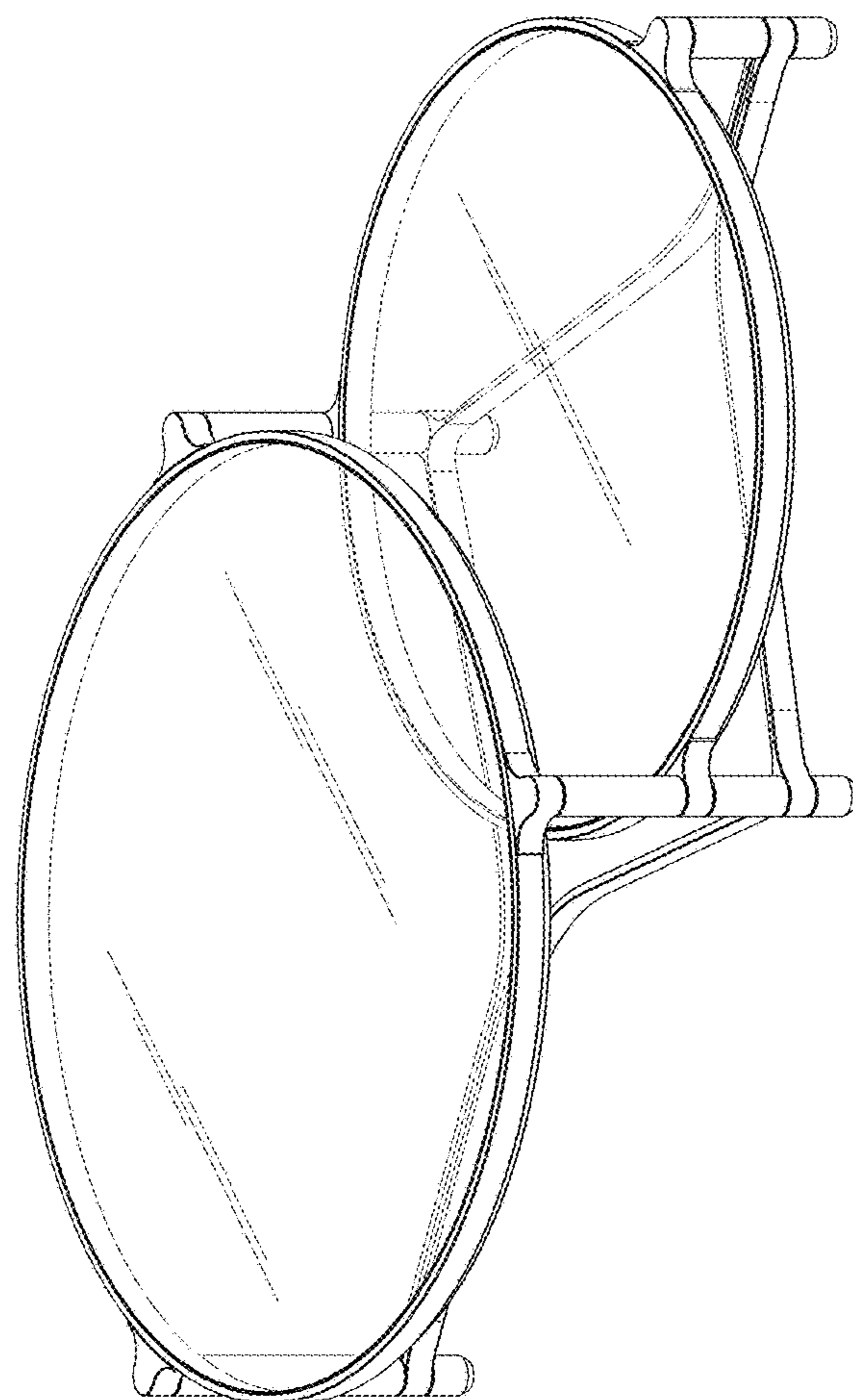


FIG. 1

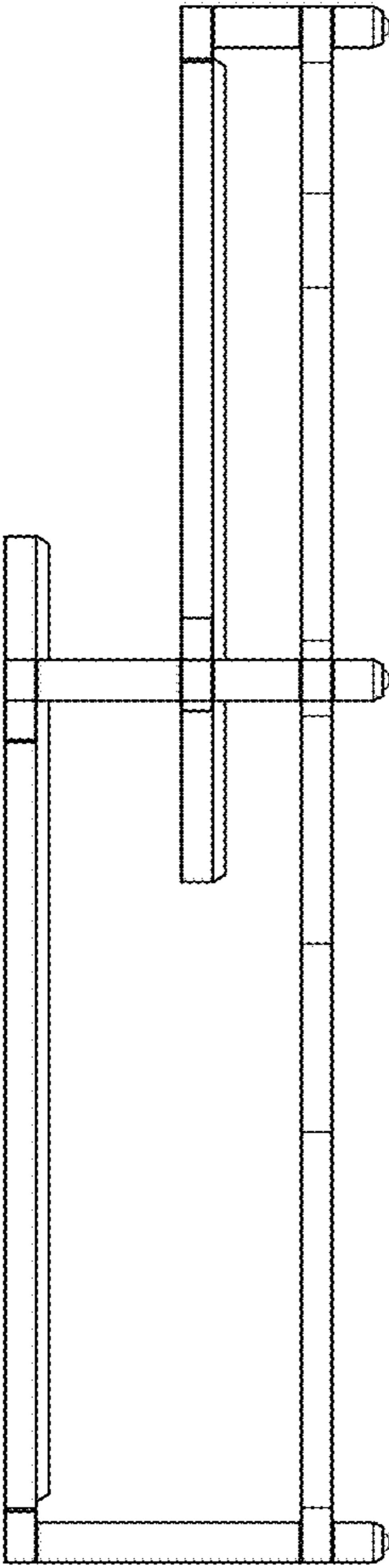


FIG. 2

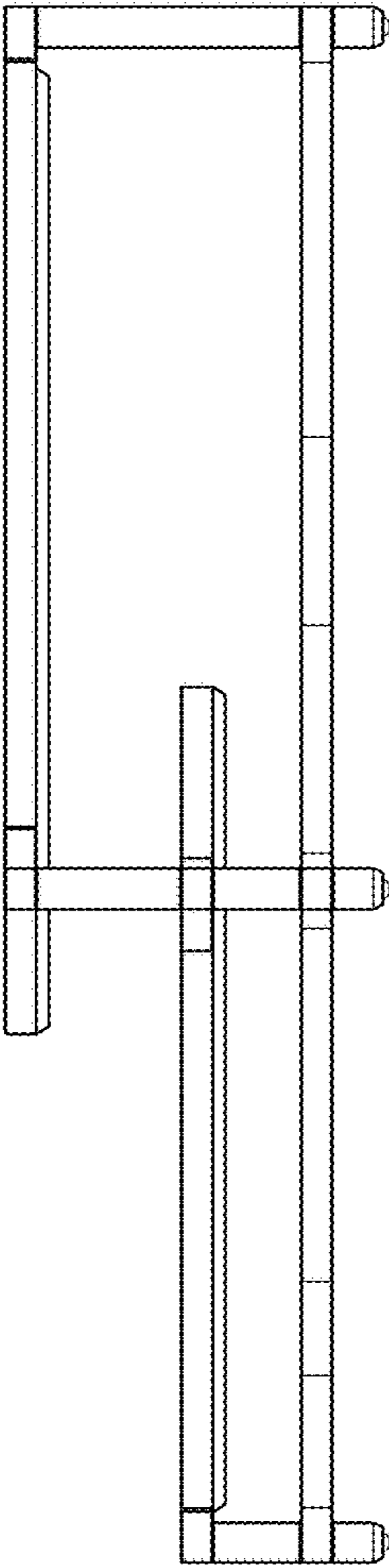


FIG. 3

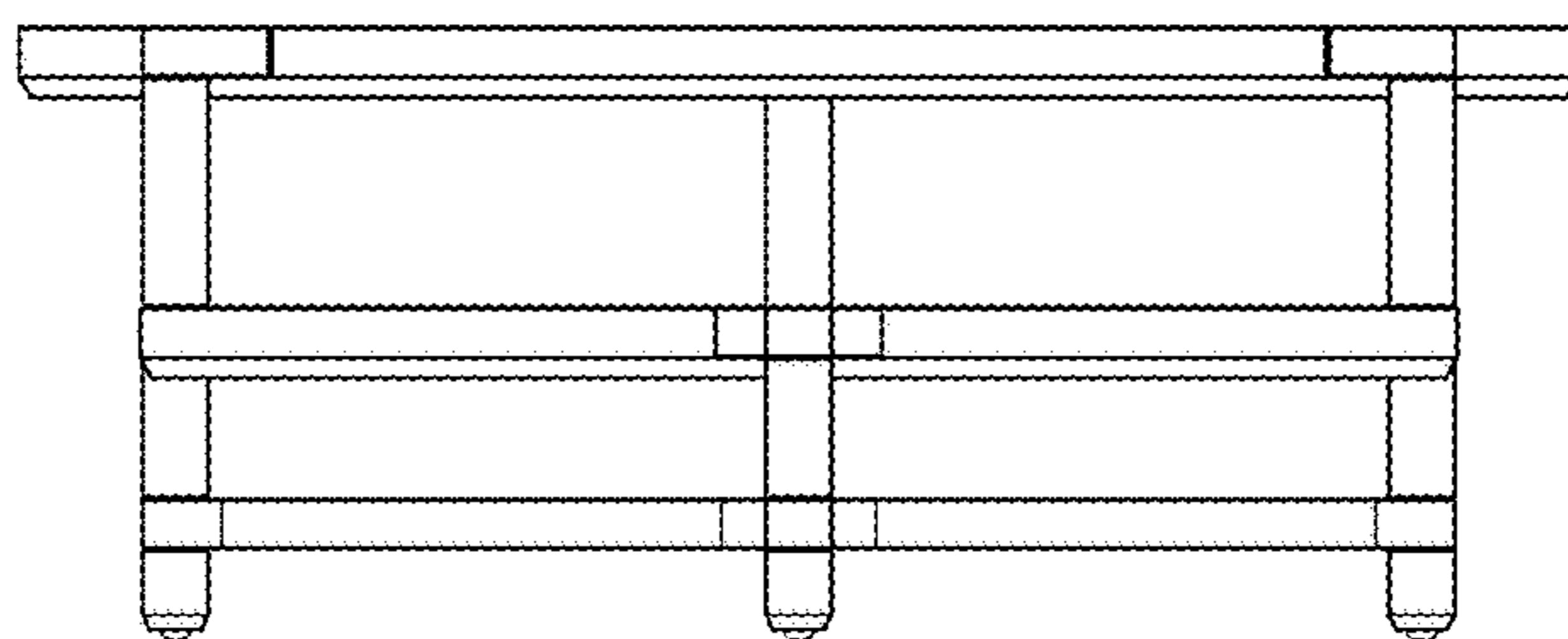


FIG. 4

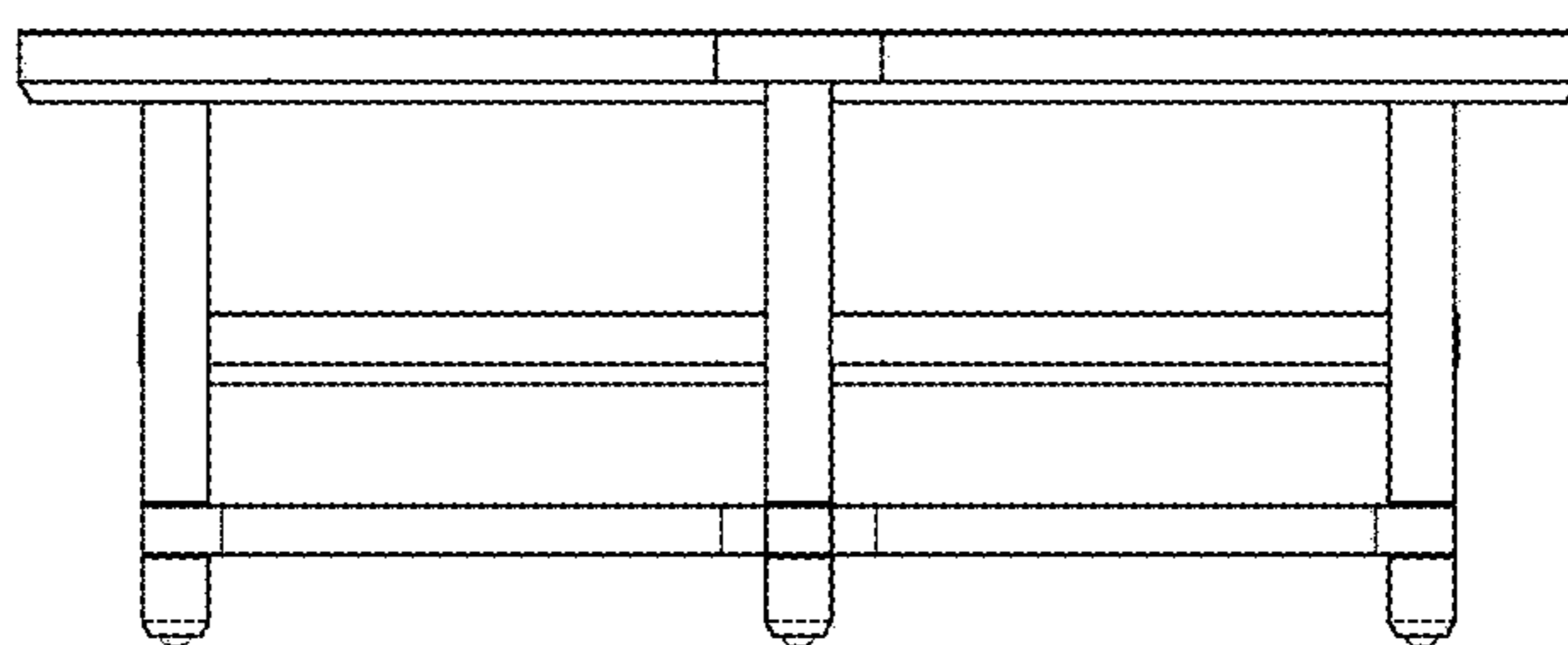


FIG. 5

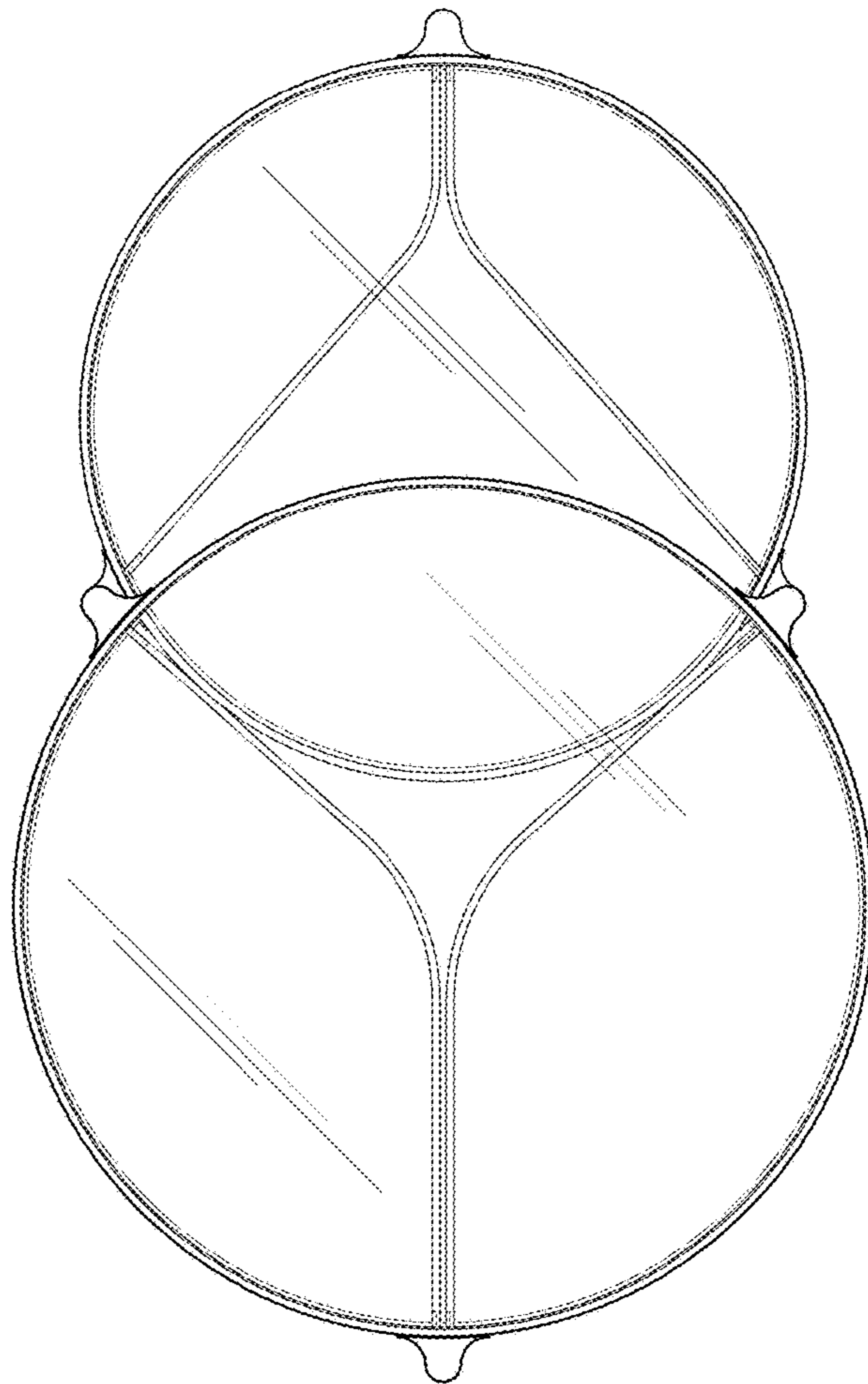


FIG. 6

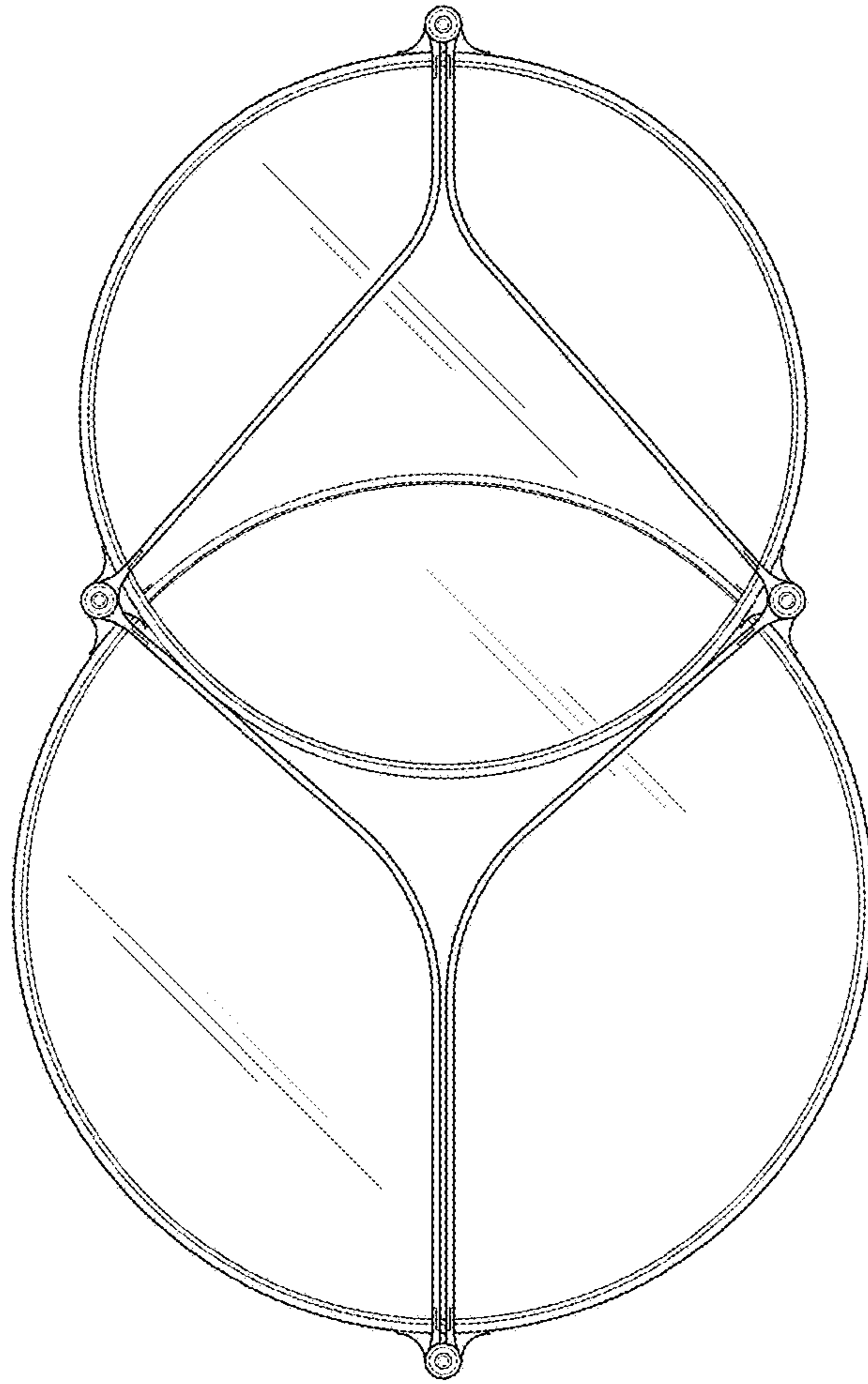


FIG. 7