



US00D864627S

(12) **United States Design Patent**
Rockwell et al.

(10) **Patent No.:** **US D864,627 S**

(45) **Date of Patent:** **** Oct. 29, 2019**

(54) **CART**

(71) Applicant: **Knoll, Inc.**, East Greenville, PA (US)

(72) Inventors: **David Rockwell**, New York, NY (US);
Barry Richards, New York, NY (US)

(73) Assignee: **Knoll, Inc.**, East Greenville, PA (US)

(**) Term: **15 Years**

(21) Appl. No.: **29/650,000**

(22) Filed: **Jun. 4, 2018**

Related U.S. Application Data

(62) Division of application No. 29/640,589, filed on Mar. 15, 2018.

(51) **LOC (12) Cl.** **06-06**

(52) **U.S. Cl.**
USPC **D6/675**

(58) **Field of Classification Search**
USPC D6/672, 675, 675.1, 675.2, 675.3, 675.4,
D6/675.5

CPC A47F 1/00; A47B 96/00; A47B 96/02;
A47B 47/00; A47B 47/021

See application file for complete search history.

(56) **References Cited**

U.S. PATENT DOCUMENTS

D42,180 S *	2/1912	Yesbera	211/126.1
D106,997 S *	11/1937	Thompson	D34/21
2,798,617 A	7/1957	Schreiber		
D191,249 S	8/1961	Gardner et al.		
D217,159 S	4/1970	Levy		
4,035,941 A	7/1977	Deffner		
D299,797 S	2/1989	Walter		
D334,495 S	4/1993	Bustos		
D350,246 S	9/1994	Louise et al.		

D357,781 S	4/1995	Crinion		
D363,623 S	10/1995	Rushing		
D400,375 S *	11/1998	Peng-Hui	D6/675.1
D405,578 S *	2/1999	Shumake	D34/17
D410,127 S	5/1999	Colomban		
D459,117 S	6/2002	Singh		
D472,072 S	3/2003	de Carolis		
D491,384 S	6/2004	Lenger		
D493,019 S	7/2004	Lovegrove et al.		
6,767,019 B2	7/2004	van Hekken		
D510,168 S	9/2005	Lovegrove et al.		
D543,056 S *	5/2007	Chou	D6/675.1
D591,086 S	4/2009	Karsson		
D591,533 S	5/2009	Karsson		
8,528,919 B2	9/2013	Webster et al.		
D697,285 S *	1/2014	Greenspon	D34/21
D706,064 S *	6/2014	Ota	D6/675.3
D792,048 S	7/2017	Kitajima		
D802,341 S *	11/2017	Yaraghi	D6/675
D805,329 S	12/2017	Rockwell et al.		

(Continued)

Primary Examiner — Kelley A Donnelly

(74) *Attorney, Agent, or Firm* — Buchanan Ingersoll & Rooney PC

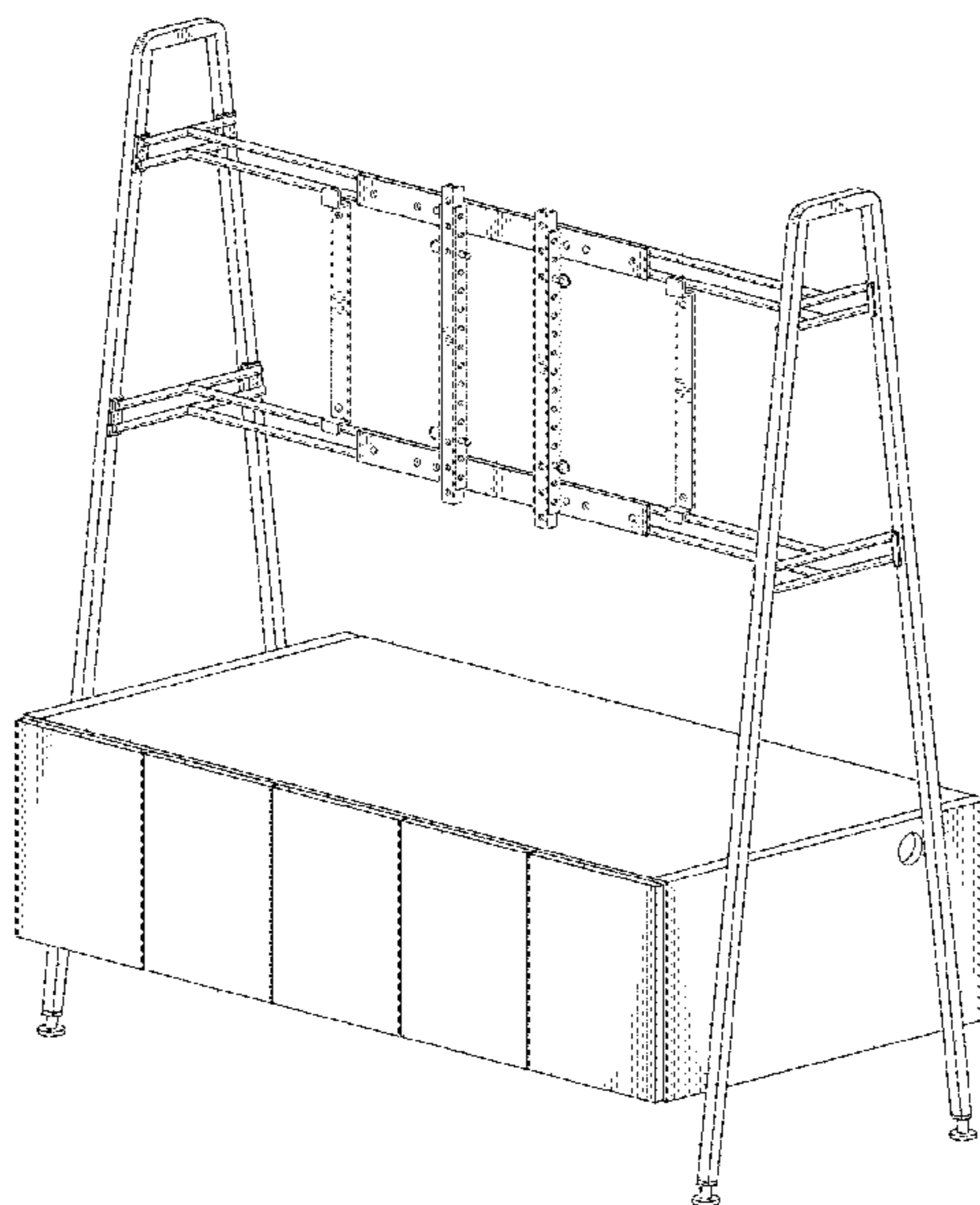
(57) **CLAIM**

The ornamental design for a cart, as shown and described.

DESCRIPTION

FIG. 1 is a perspective view of a cart showing our new design;
FIG. 2 is a front elevational view thereof;
FIG. 3 is a rear elevational view thereof;
FIG. 4 is a top plan view thereof;
FIG. 5 is a bottom plan view thereof;
FIG. 6 is a left side elevational view thereof; and,
FIG. 7 is a right side elevational view thereof.
The broken lines shown in the drawing Figures illustrate portions of the cart that form no part of the claimed design.

1 Claim, 6 Drawing Sheets



(56)

References Cited

U.S. PATENT DOCUMENTS

D814,735 S *	4/2018	Rockwell	D34/21
D825,959 S *	8/2018	Rockwell	D6/675.3
D831,922 S *	10/2018	Melendez	D34/12
D843,756 S *	3/2019	Johnson	D6/675

* cited by examiner

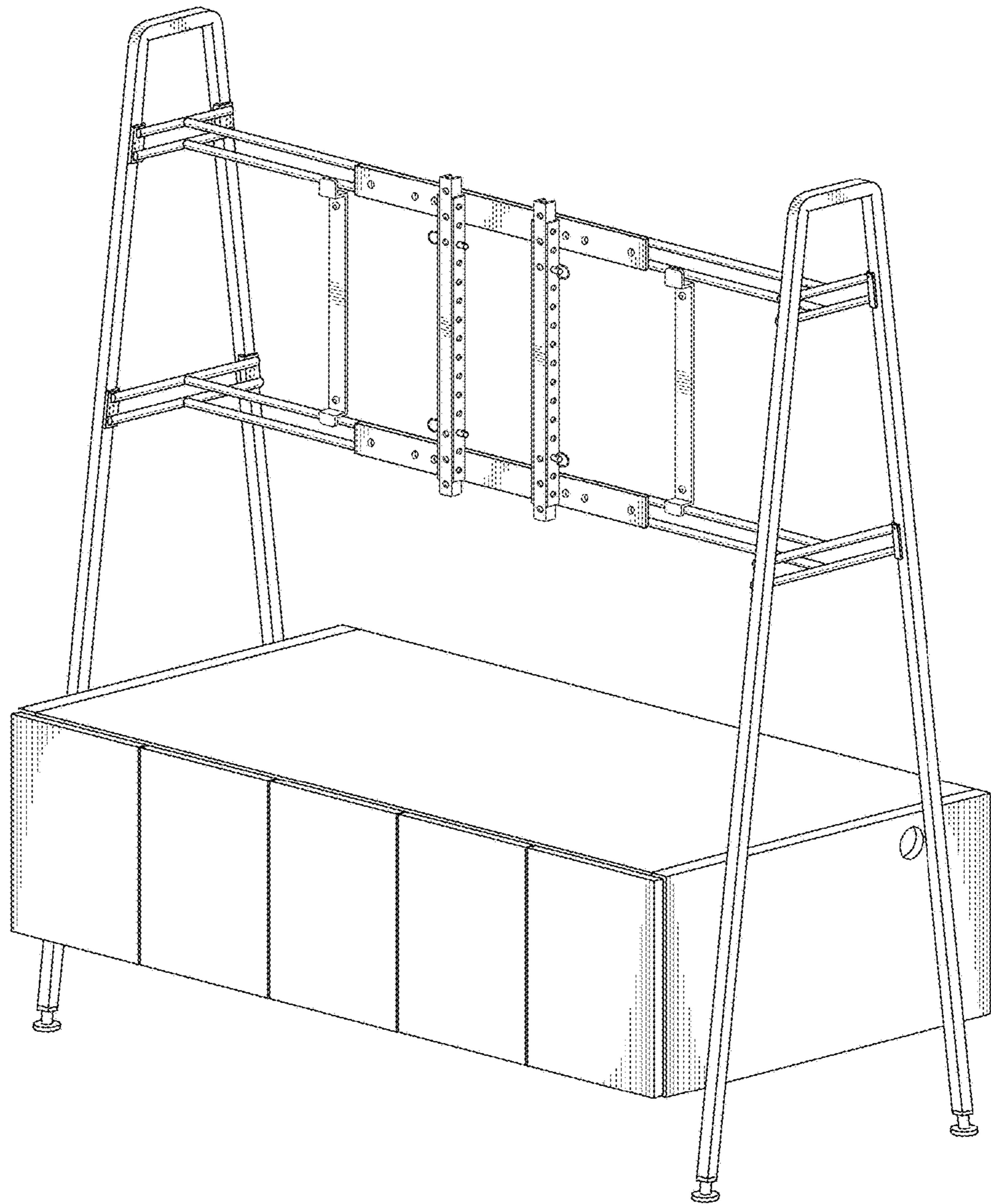


FIG. 1

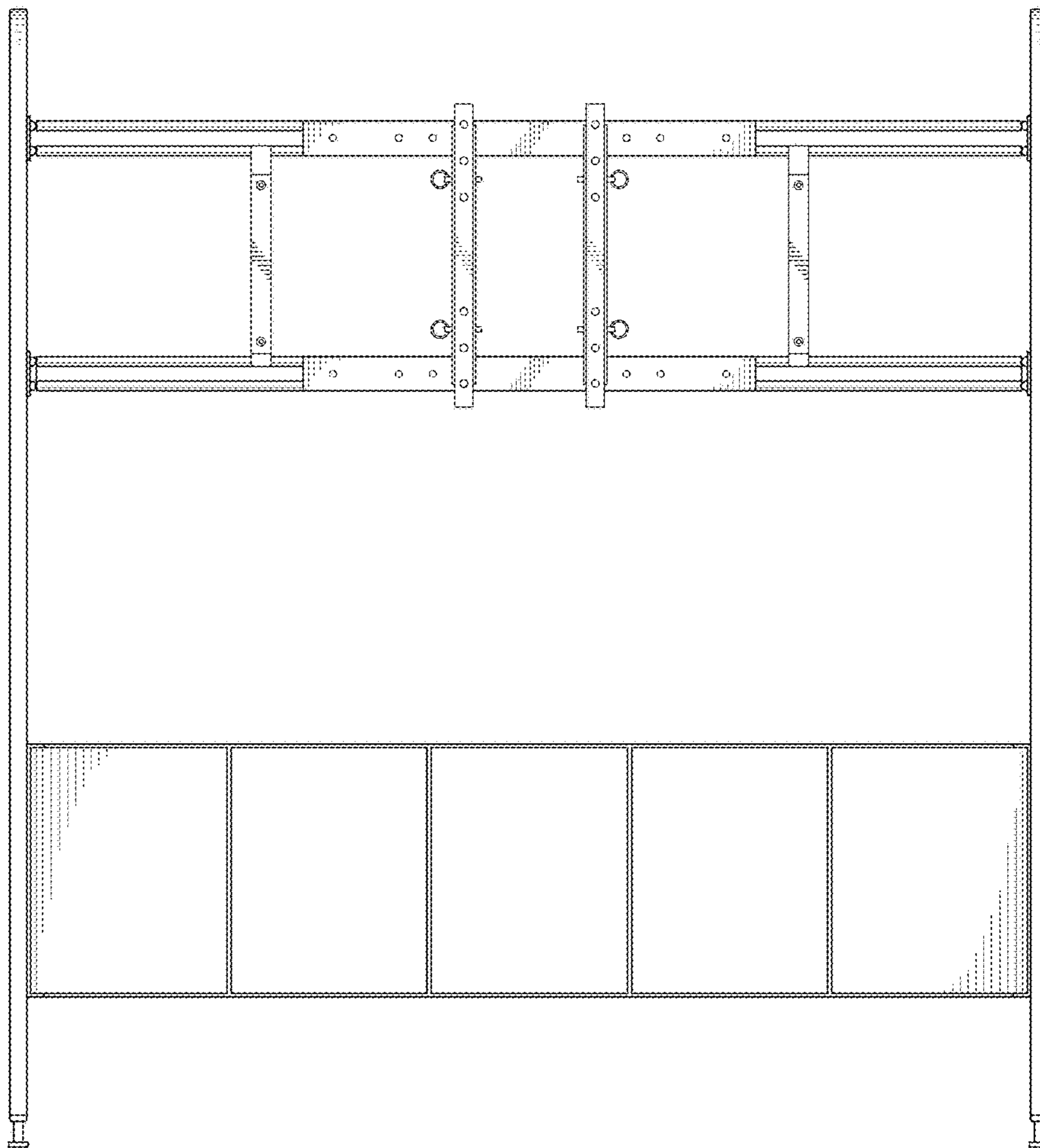


FIG. 2

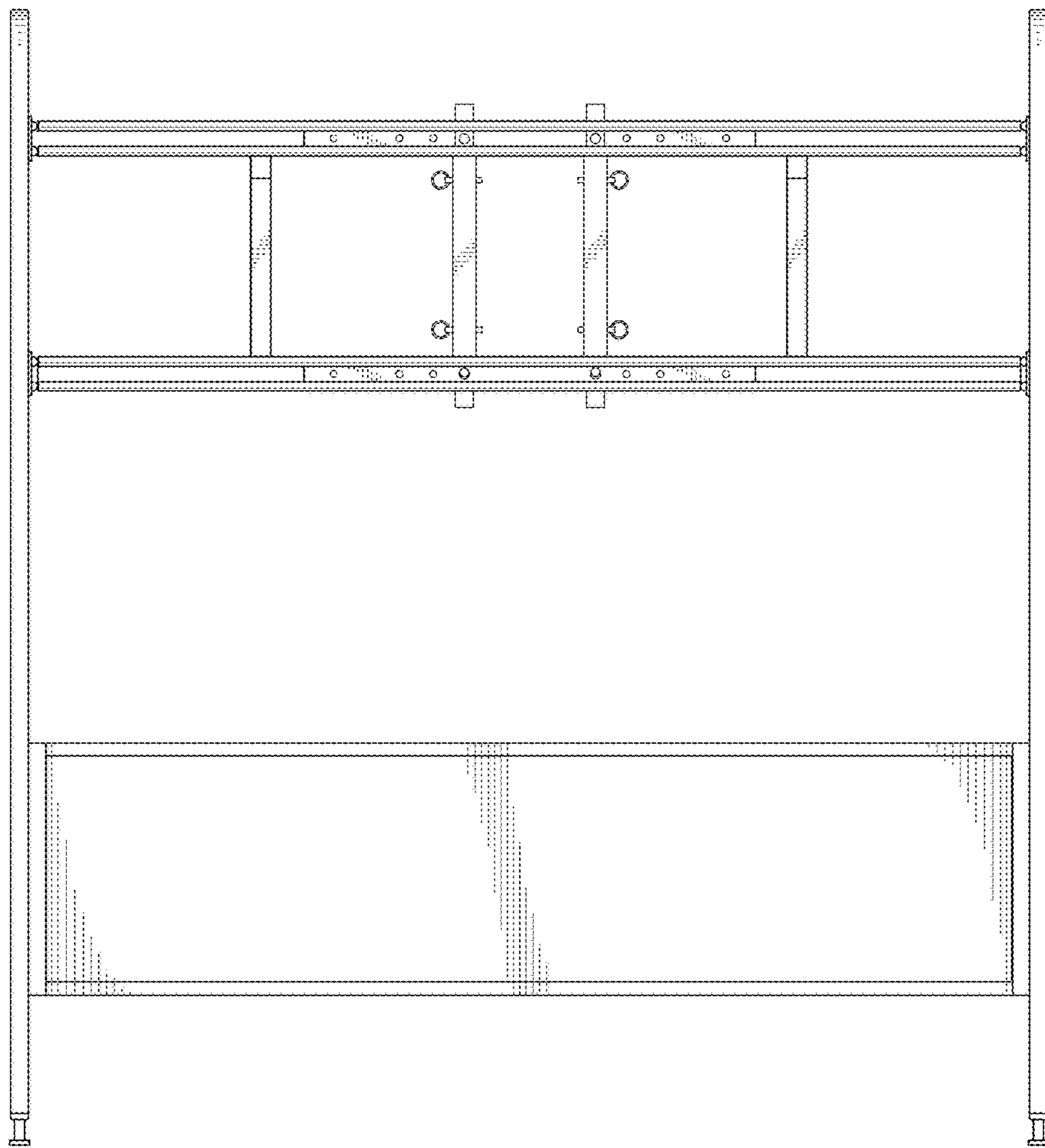


FIG. 3

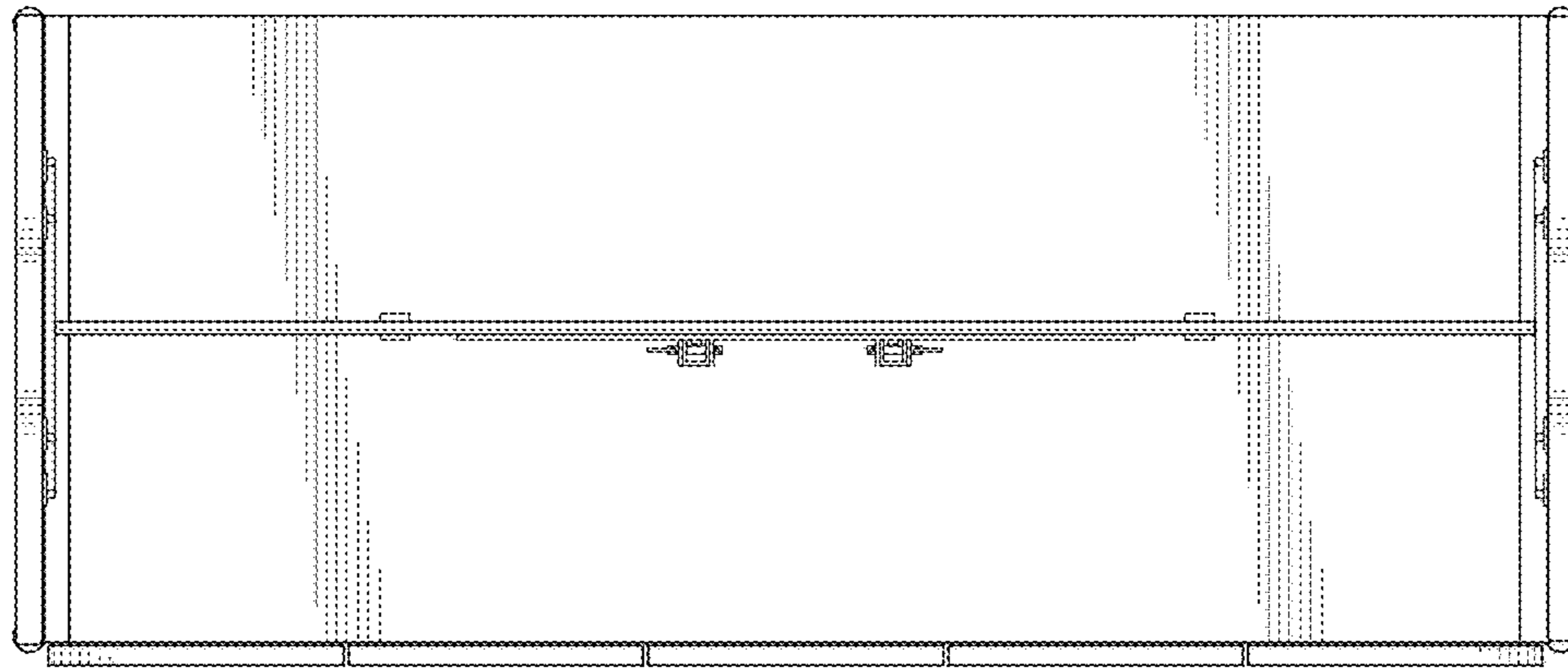


FIG. 4

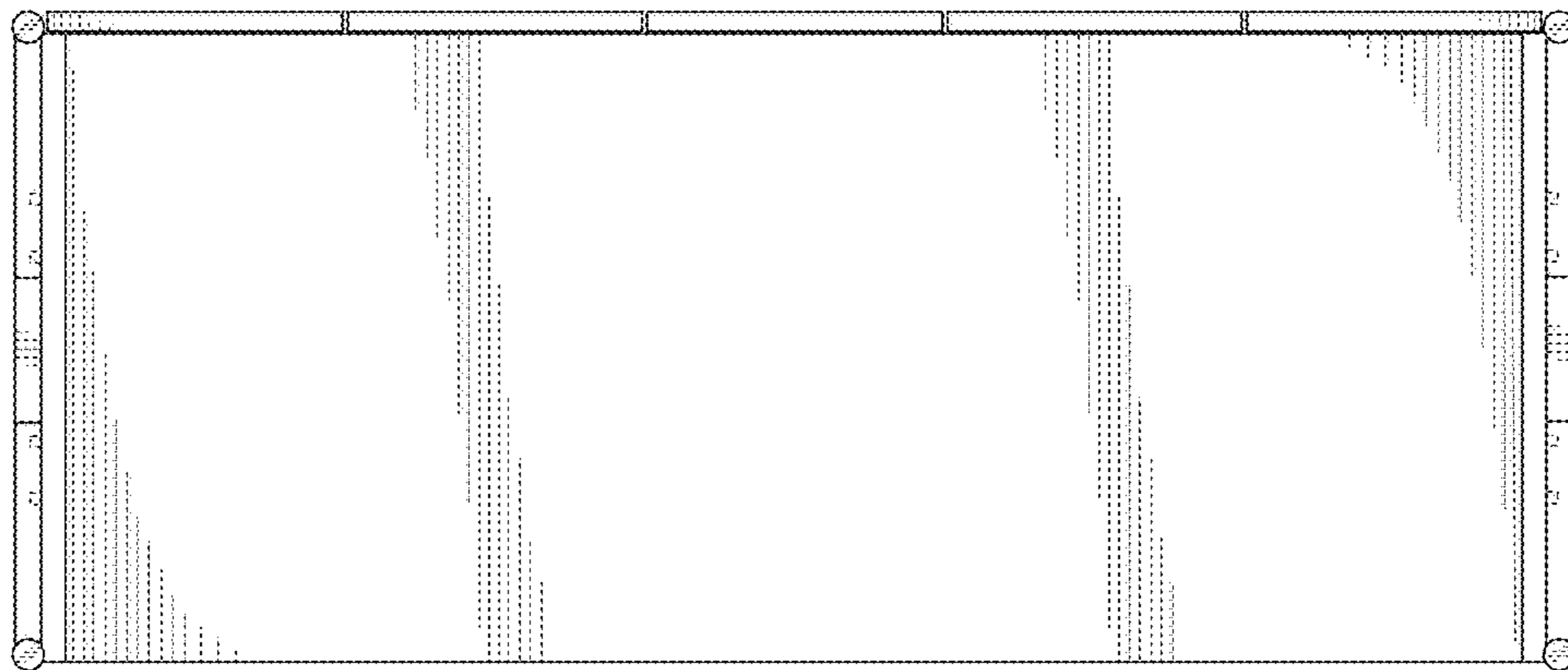


FIG. 5

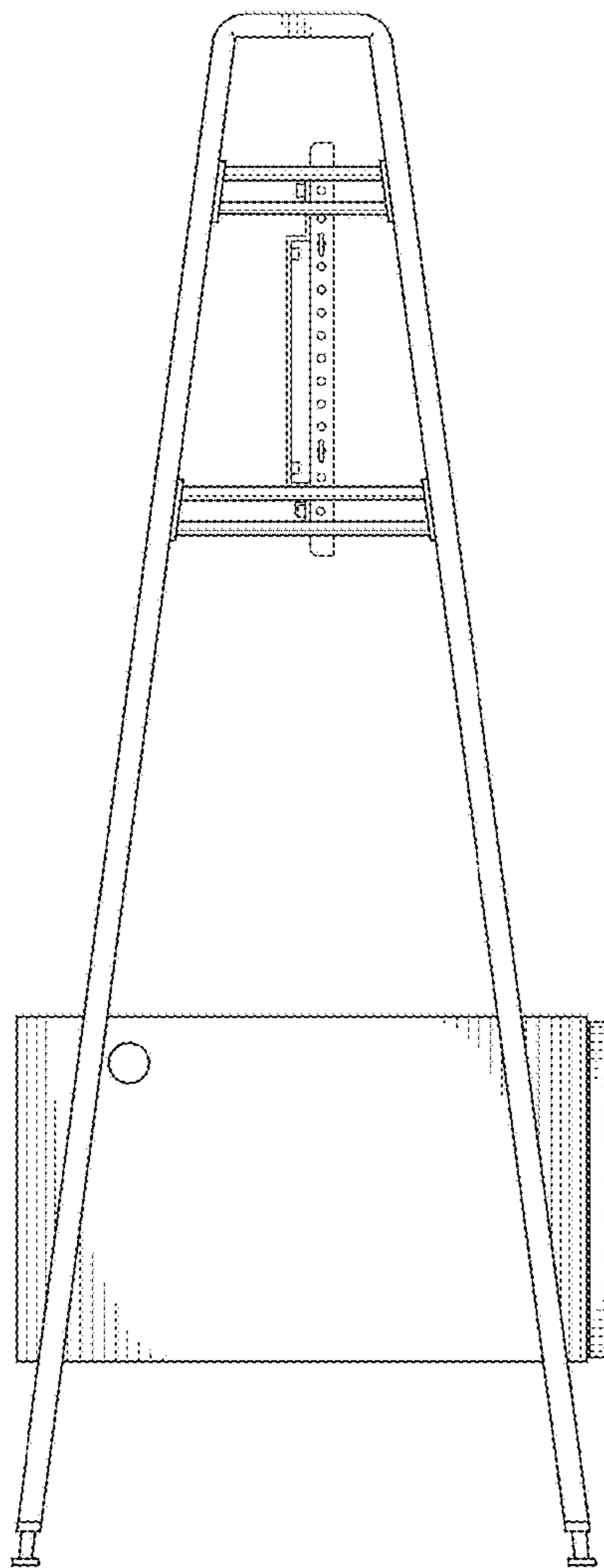


FIG. 6

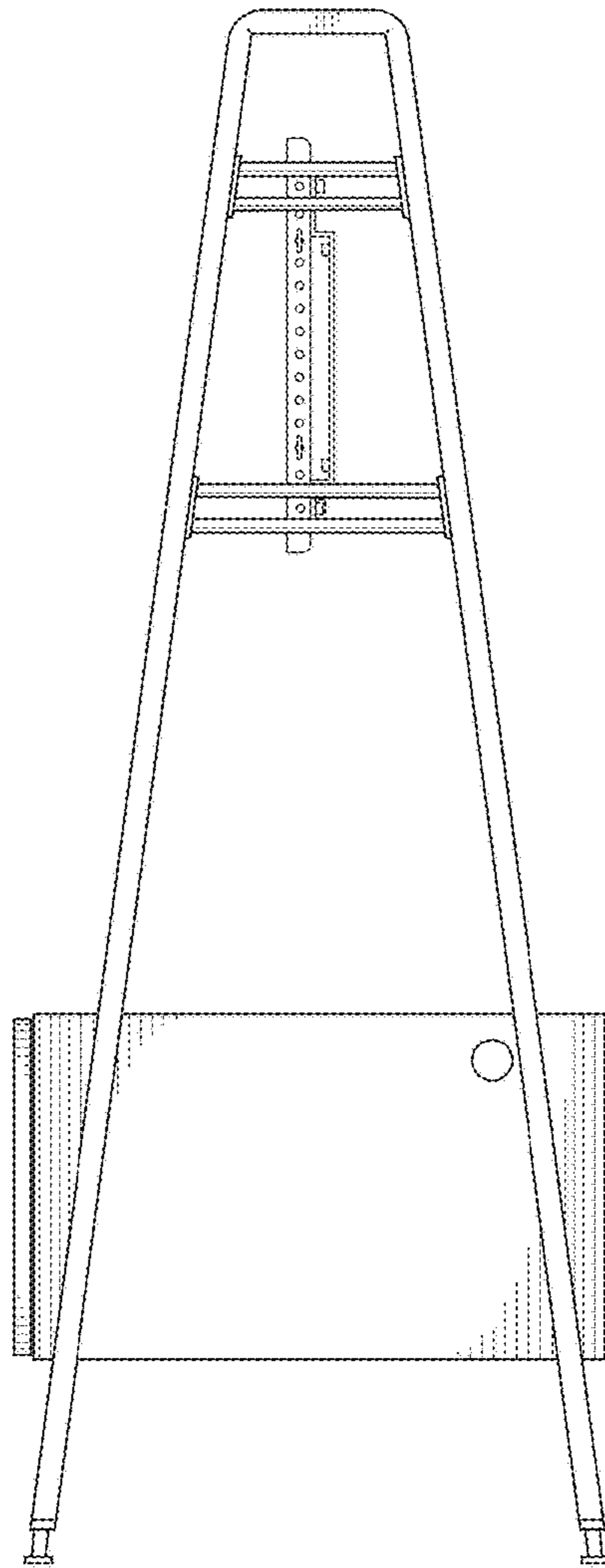


FIG. 7