



US00D864626S

(12) **United States Design Patent**
Chapuis et al.

(10) **Patent No.:** **US D864,626 S**
(45) **Date of Patent:** **** Oct. 29, 2019**

(54) **RETAIL DISPLAY**
(71) Applicant: **June20, Inc.**, Hayward, CA (US)
(72) Inventors: **Paul Chapuis**, Woodside, CA (US);
Steven D. Penny, Oakland, CA (US)
(73) Assignee: **June20, Inc.**, Hayward, CA (US)
(**) Term: **15 Years**

D741,094 S * 10/2015 Martell D6/702
D758,773 S 6/2016 Kim et al.
9,395,037 B2 7/2016 Ballhatchet
D769,651 S 10/2016 Tio et al.
D770,203 S 11/2016 Thaler et al.
D787,239 S 5/2017 Denby et al.
D790,261 S 6/2017 Rogers
9,687,090 B2 6/2017 Ireland et al.
D790,884 S * 7/2017 Schonherr D6/664
D796,234 S 9/2017 Thaler et al.
D807,086 S 1/2018 Tio et al.

(Continued)

(21) Appl. No.: **29/641,252**
(22) Filed: **Mar. 20, 2018**
(51) **LOC (12) Cl.** **06-06**
(52) **U.S. Cl.**
USPC **D6/675**
(58) **Field of Classification Search**
USPC D6/657, 663, 672, 675-675.3, 678, 680.2
CPC A47F 3/007; A47F 5/0043; A47F 5/0081;
A47B 57/00; A47B 57/04
See application file for complete search history.

FOREIGN PATENT DOCUMENTS

CN 102334864 A 2/2012
CN 103653987 A 3/2014

(Continued)

OTHER PUBLICATIONS

Design U.S. Appl. No. 29/639,664, filed Mar. 7, 2018.
(Continued)

Primary Examiner — Kelley A Donnelly
(74) *Attorney, Agent, or Firm* — Vierra Magen Marcus
LLP

(56) **References Cited**

U.S. PATENT DOCUMENTS

D451,305 S 12/2001 Chang et al.
6,712,433 B2 3/2004 Hellwig et al.
D591,083 S 4/2009 Singler et al.
D591,979 S 5/2009 Singler et al.
7,701,339 B2 4/2010 Irmscher et al.
D643,234 S 8/2011 Daino
D645,282 S 9/2011 Daino
8,401,915 B1 3/2013 Kim
8,752,718 B2 6/2014 Stukenberg et al.
D713,658 S 9/2014 Tio et al.
D727,666 S 4/2015 Wagemans et al.
D732,318 S * 6/2015 Engbretson D6/657
D732,854 S * 6/2015 Engbretson D6/657
D734,965 S 7/2015 Tio et al.
D736,020 S 8/2015 Martell et al.
D740,595 S 10/2015 Kim et al.
D741,091 S 10/2015 Tio et al.

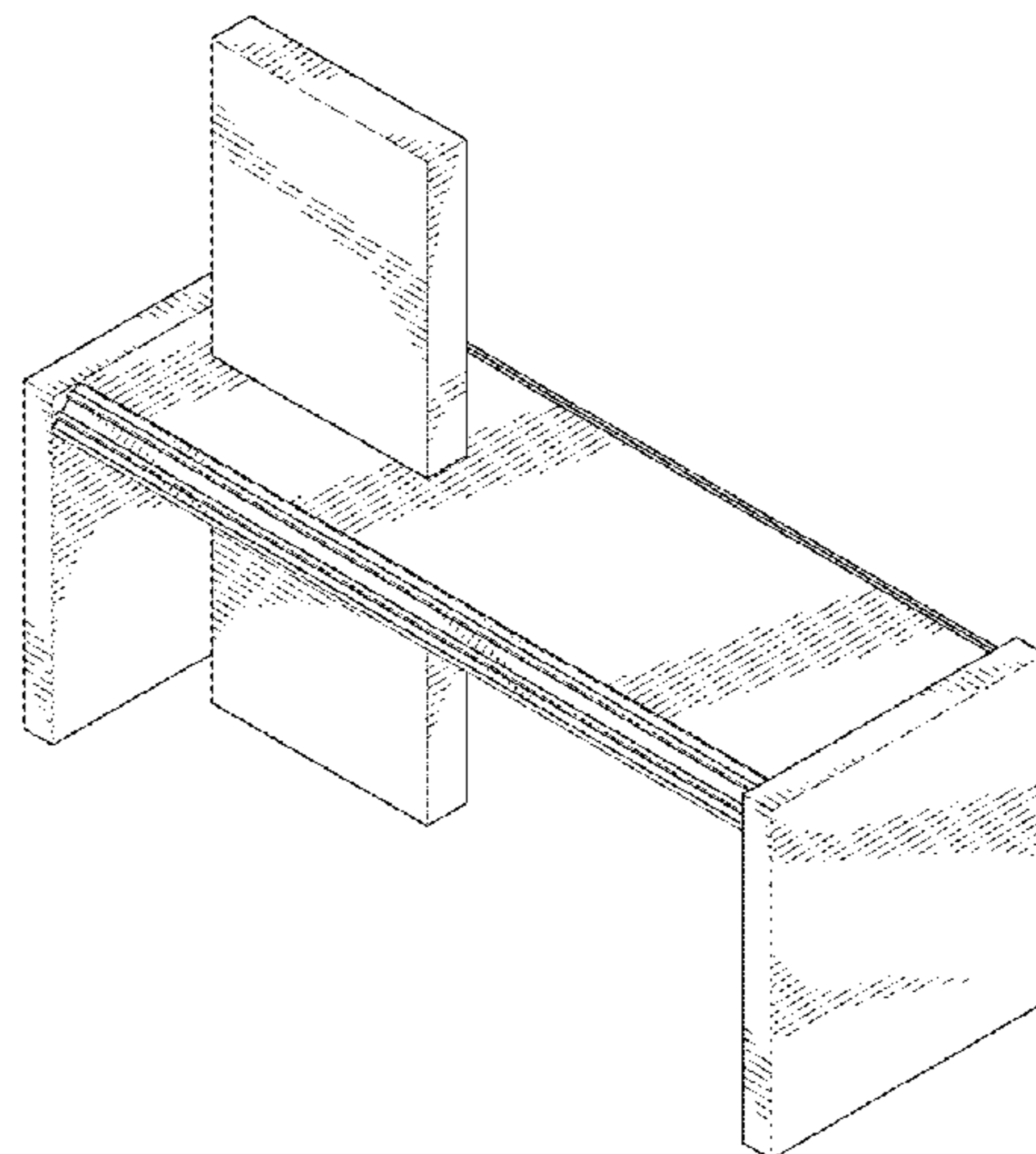
(57) **CLAIM**

The ornamental design for a retail display, as shown and described.

DESCRIPTION

FIG. 1 is a front perspective view of a retail display.
FIG. 2 is a rear perspective view of the retail display.
FIG. 3 is a front elevation view the retail display.
FIG. 4 is rear elevation view of the retail display.
FIG. 5 is a top view of the retail display; and,
FIG. 6 is a right side view of the retail display. A left side
view of the retail display is a mirror image of FIG. 6.

1 Claim, 4 Drawing Sheets



(56)

References Cited

U.S. PATENT DOCUMENTS

D812,946 S 3/2018 Chang et al.
 D815,864 S 4/2018 Burton et al.
 D823,030 S * 7/2018 Theisen D6/675
 D834,356 S * 11/2018 Chapuis D6/672
 D835,084 S * 12/2018 Cha D14/239
 D842,627 S * 3/2019 Siminoff D6/672
 D842,628 S * 3/2019 Siminoff D6/672
 2009/0109130 A1 4/2009 Murphy et al.
 2011/0187531 A1 8/2011 Oehl et al.
 2012/0005222 A1 1/2012 Bhagwan et al.
 2012/0232937 A1 9/2012 Calman et al.
 2013/0117153 A1 5/2013 Shen
 2014/0310056 A1 10/2014 Alapati et al.
 2015/0371321 A1 12/2015 Chapuis

FOREIGN PATENT DOCUMENTS

CN 204599980 U 9/2015
 CN 304176357 S 6/2017
 FR 992836-004 8/1999
 JP 2005204815 A 8/2005
 KR 10-20130023520 A 3/2013

RO 016582-0001 3/2006
 RU 59706 7/2006
 WO D082444-002 4/2014

OTHER PUBLICATIONS

Design U.S. Appl. No. 29/641,209, filed Mar. 20, 2018.
 Design U.S. Appl. No. 29/639,665, filed Mar. 7, 2018.
 Design U.S. Appl. No. 29/641,234, filed Mar. 20, 2018.
 Design U.S. Appl. No. 29/640,276, filed Mar. 13, 2018.
 Design U.S. Appl. No. 29/639,666, filed Mar. 7, 2018.
 Versa Products, Inc., "Versa Center", <https://www.versatables.com/education/versa-center/>, retrieved May 30, 2018.
 Gartner, "Sliding Monitors", <https://web.archive.org/web/20130607163354/http://www.michaelgartner.com/>, dated by web.archive.org at Jun. 7, 2013, pp. 1-5) Accessed Nov. 21, 2017 (Year: 2013).
 June20, Inc., Test Display at Sam's Club, May, 2016, Arkansas, US.
 June20, Inc., Test Display at Staples, Dec. 2015, Canada.
 Mike Quinn, LinkedIn.com page, image of post "LM76 Whipser Slide Technology" WSP2 retrieved from Feb. 2, 2018.
 Design U.S. Appl. No. 29/647,762, filed May 15, 2018.
 Design U.S. Appl. No. 29/647,768, filed May 15, 2018.
 Office Action dated May 23, 2018 in U.S. Appl. No. 29/639,664, filed Mar. 7, 20180.

* cited by examiner

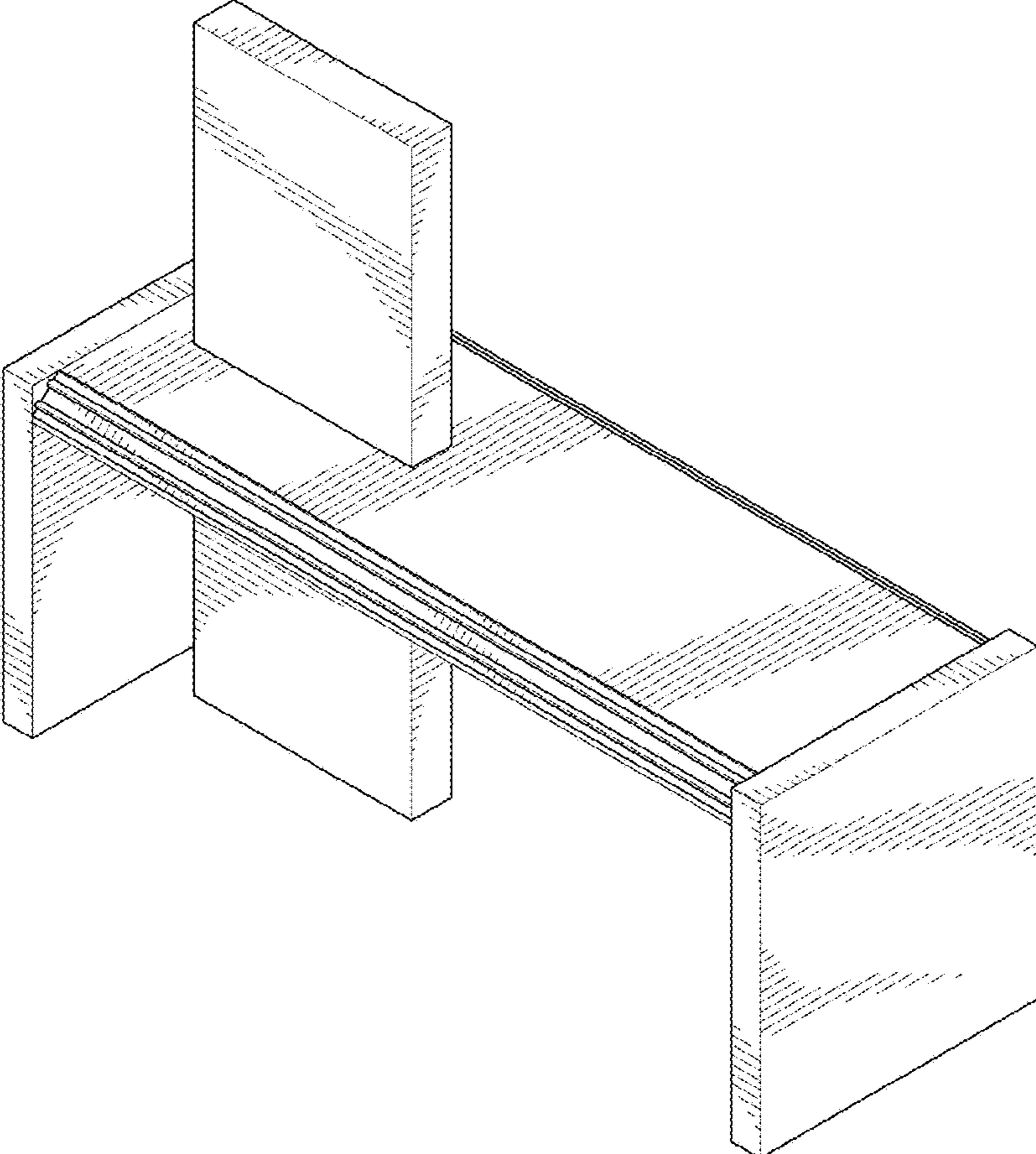


FIG. 1

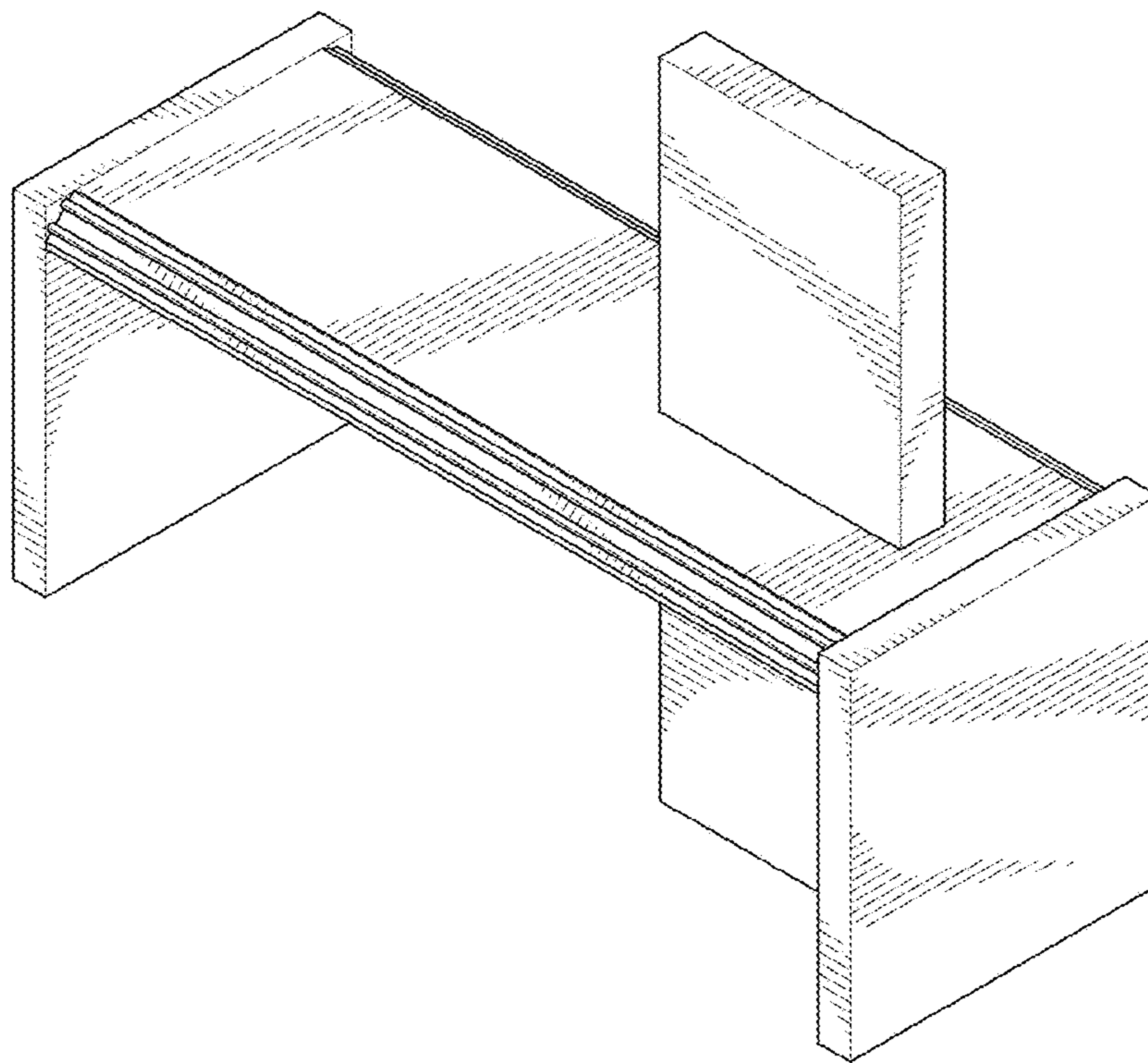


FIG. 2

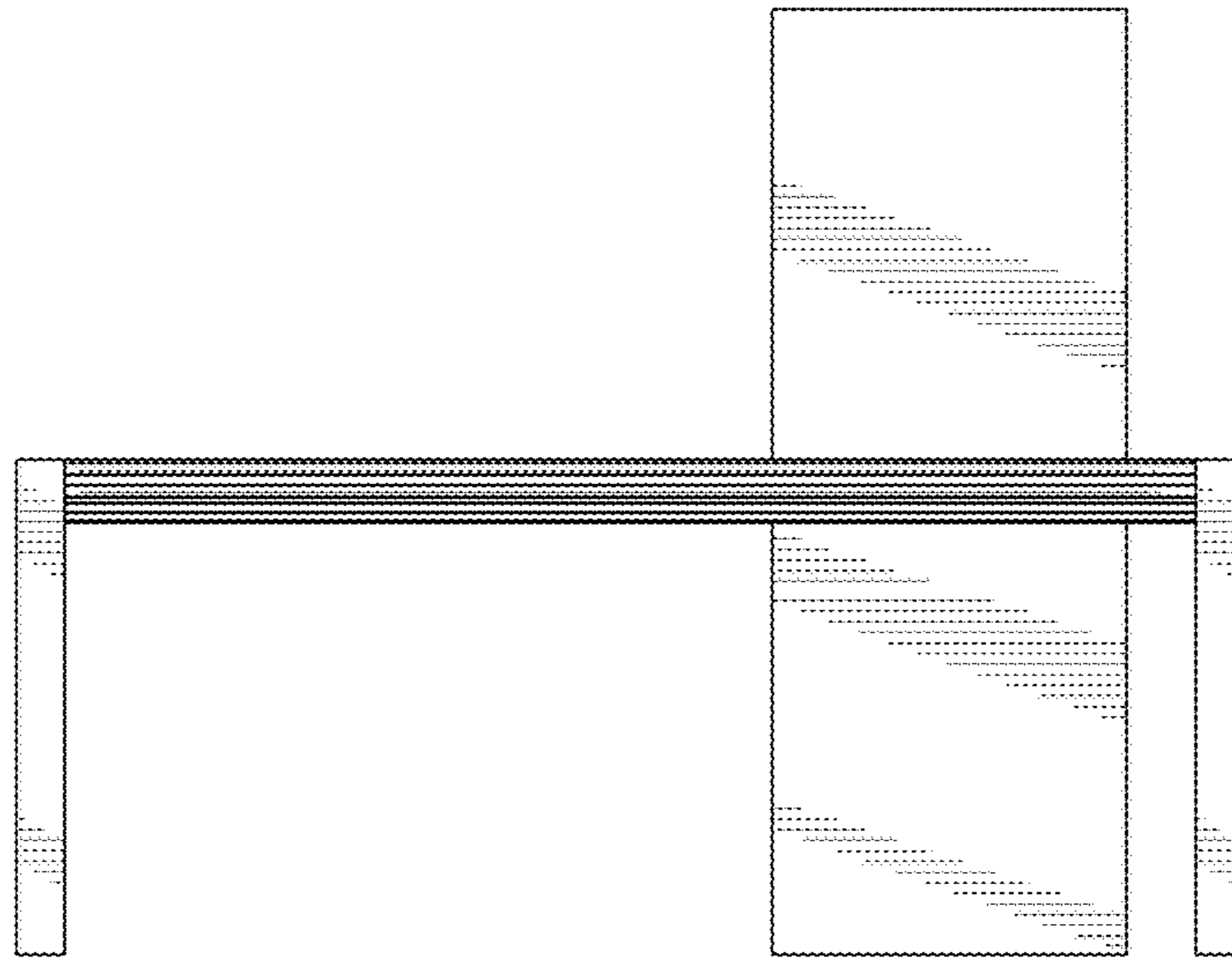


FIG. 3

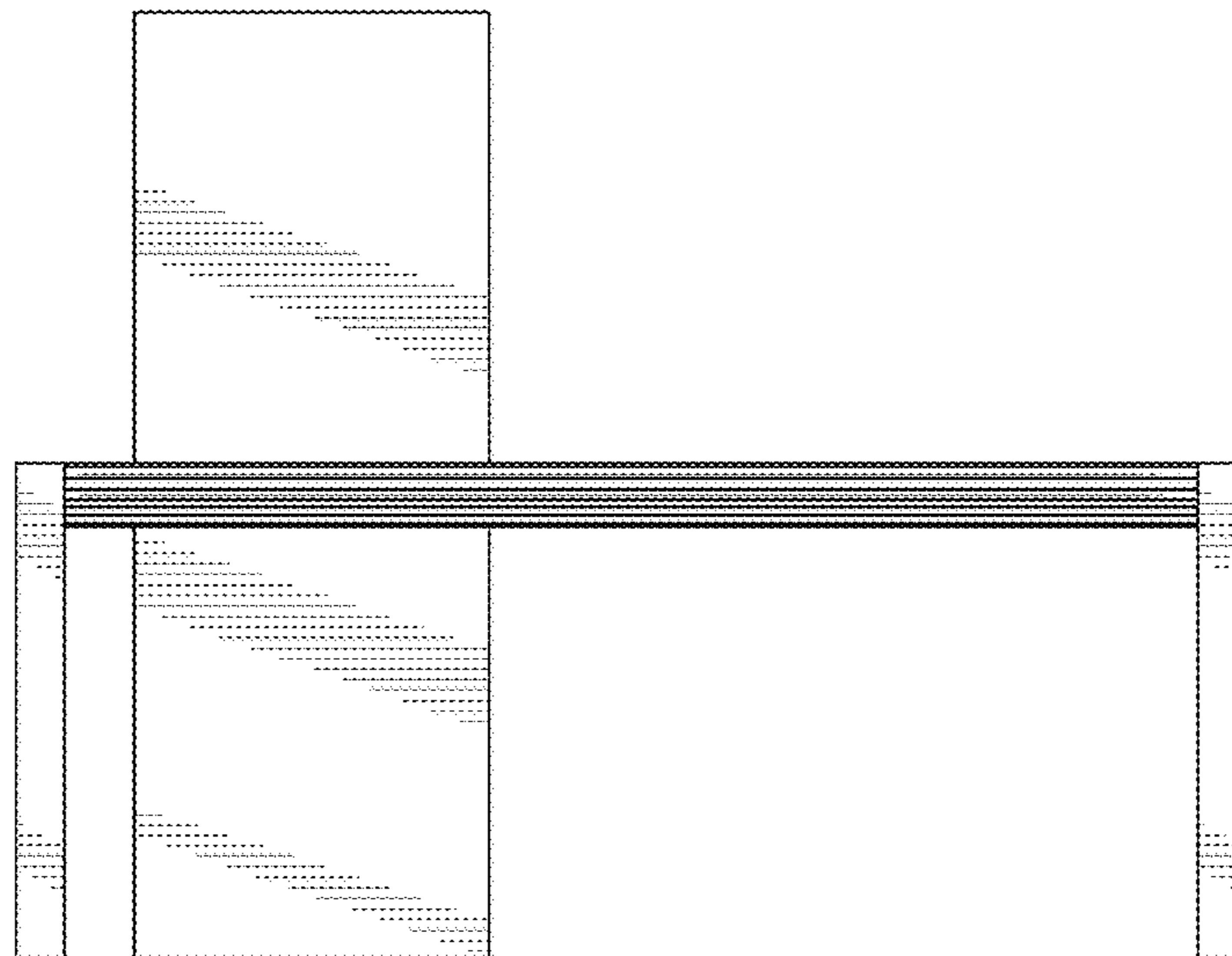


FIG. 4

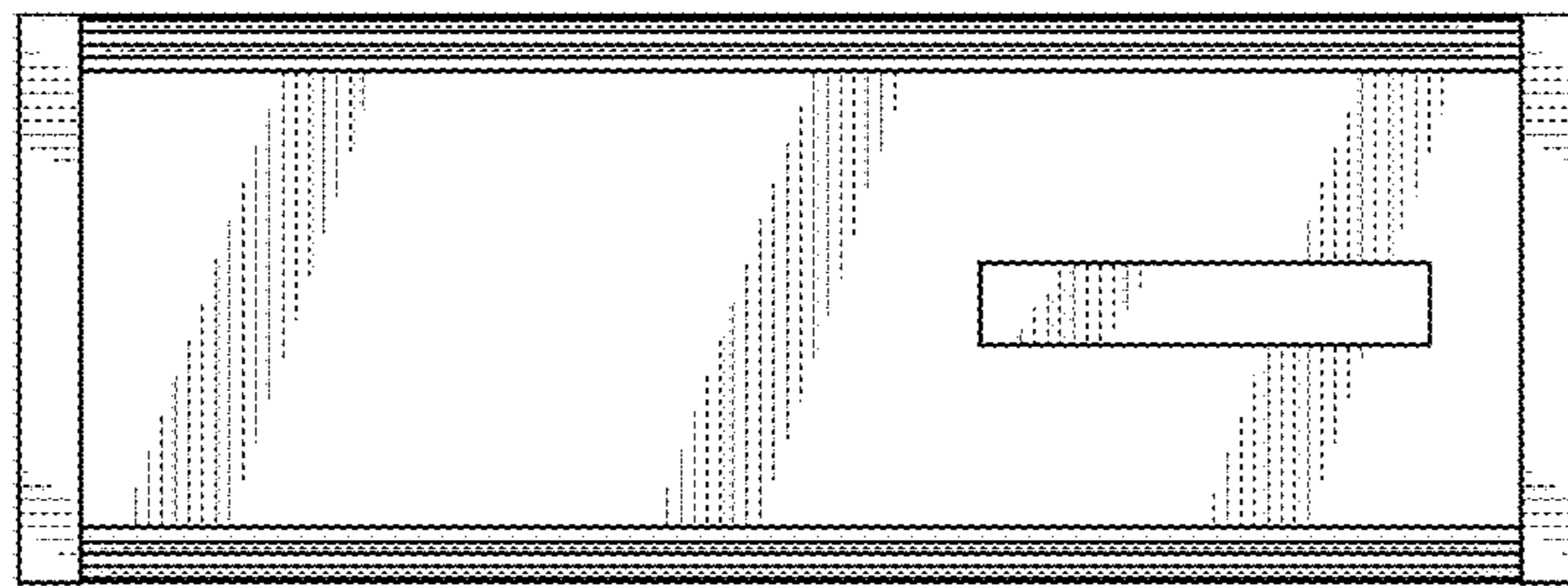


FIG. 5

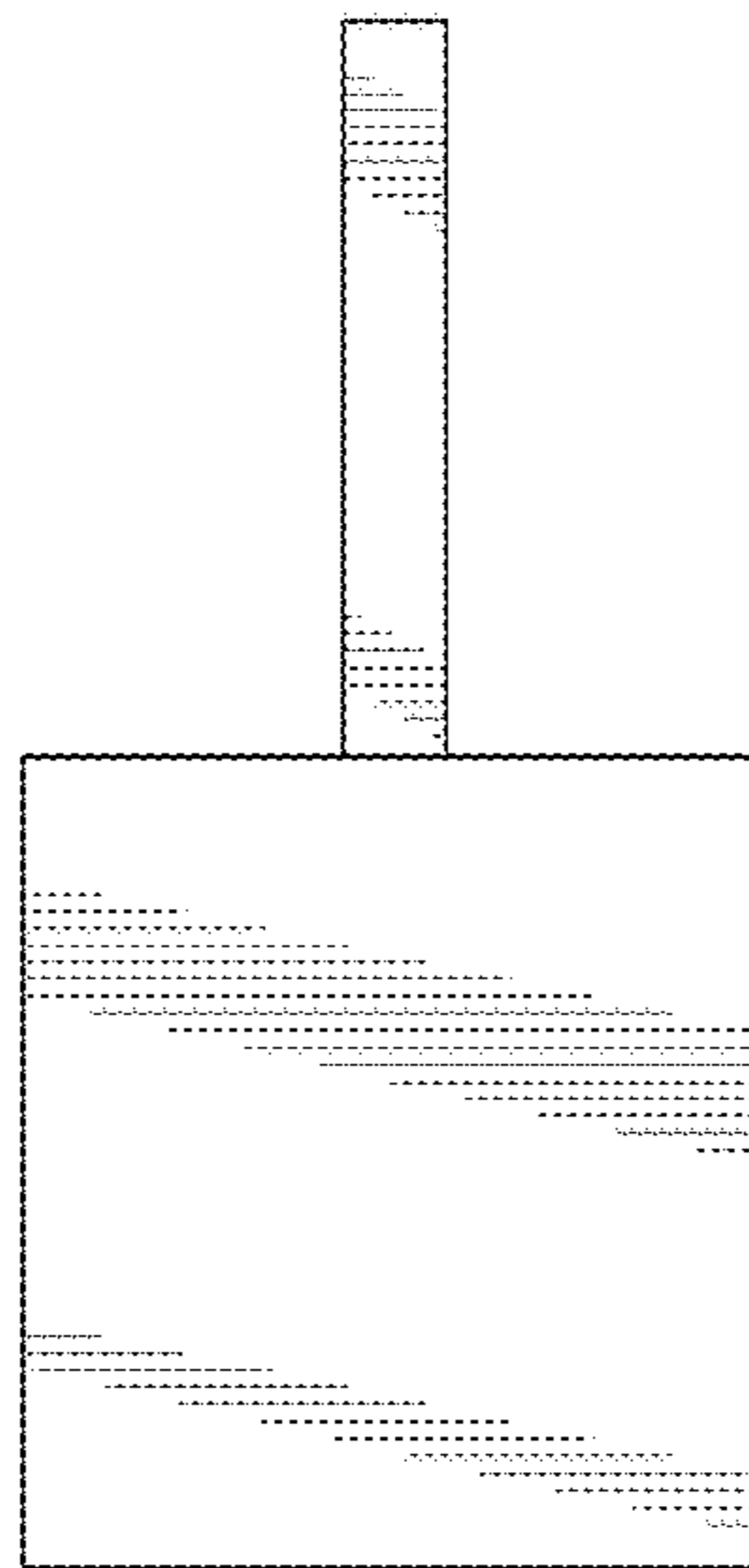


FIG. 6