

US00D864625S

(12) **United States Design Patent** (10) **Patent No.:** **US D864,625 S**  
**Rockwell et al.** (45) **Date of Patent:** **\*\* Oct. 29, 2019**

(54) **CART**  
(71) Applicant: **Knoll, Inc.**, East Greenville, PA (US)  
(72) Inventors: **David Rockwell**, New York, NY (US);  
**Barry Richards**, New York, NY (US)  
(73) Assignee: **Knoll, Inc.**, East Greenville, PA (US)  
(\*\*) Term: **15 Years**  
(21) Appl. No.: **29/640,589**  
(22) Filed: **Mar. 15, 2018**  
(51) **LOC (12) Cl.** ..... **06-06**  
(52) **U.S. Cl.**  
USPC ..... **D6/675**  
(58) **Field of Classification Search**  
USPC ..... D6/672, 675, 675.1, 675.2, 675.3, 675.4,  
D6/675.5  
CPC ..... A47F 1/00; A47B 96/00; A47B 96/02;  
A47B 47/00; A47B 47/021  
See application file for complete search history.

(56) **References Cited**

**U.S. PATENT DOCUMENTS**

D42,180 S \* 2/1912 Yesbera ..... 211/126.1  
D106,997 S \* 11/1937 Thompson ..... D34/21  
2,798,617 A \* 7/1957 Schreiber ..... A47F 5/0018  
108/32  
D191,249 S \* 8/1961 Gardner et al. .... 211/128.1  
D217,159 S 4/1970 Levy  
4,035,941 A 7/1977 Deffner  
D299,797 S \* 2/1989 Walter ..... D6/675.3  
D334,495 S 4/1993 Bustos  
D350,246 S 9/1994 Louise et al.  
D357,781 S 4/1995 Crinion  
D363,623 S 10/1995 Rushing  
D400,375 S \* 11/1998 Peng-Hui ..... D6/675.1  
D405,578 S \* 2/1999 Shumake ..... D34/17

D410,127 S \* 5/1999 Colomban ..... D34/20  
D459,117 S 6/2002 Singh  
D472,072 S \* 3/2003 de Carolis ..... D6/675.3  
D491,384 S 6/2004 Lenger  
D493,019 S 7/2004 Lovegrove et al.  
6,767,019 B2 7/2004 van Hekken  
D510,168 S 9/2005 Lovegrove et al.  
D543,056 S \* 5/2007 Chou ..... D6/675.1  
D591,086 S 4/2009 Karsson  
D591,533 S \* 5/2009 Karsson ..... D6/675.3  
8,528,919 B2 \* 9/2013 Webster ..... B62B 3/008  
280/651  
D697,285 S \* 1/2014 Greenspon ..... D34/21  
D706,064 S \* 6/2014 Ota ..... D6/675.3  
D792,048 S 7/2017 Kitajima  
D805,329 S \* 12/2017 Rockwell ..... D6/675.3  
D814,735 S \* 4/2018 Rockwell ..... D34/21  
D825,959 S \* 8/2018 Rockwell ..... D6/675.3  
D831,922 S \* 10/2018 Melendez ..... D34/12

\* cited by examiner

*Primary Examiner* — Kelley A Donnelly

(74) *Attorney, Agent, or Firm* — Buchanan Ingersoll & Rooney PC

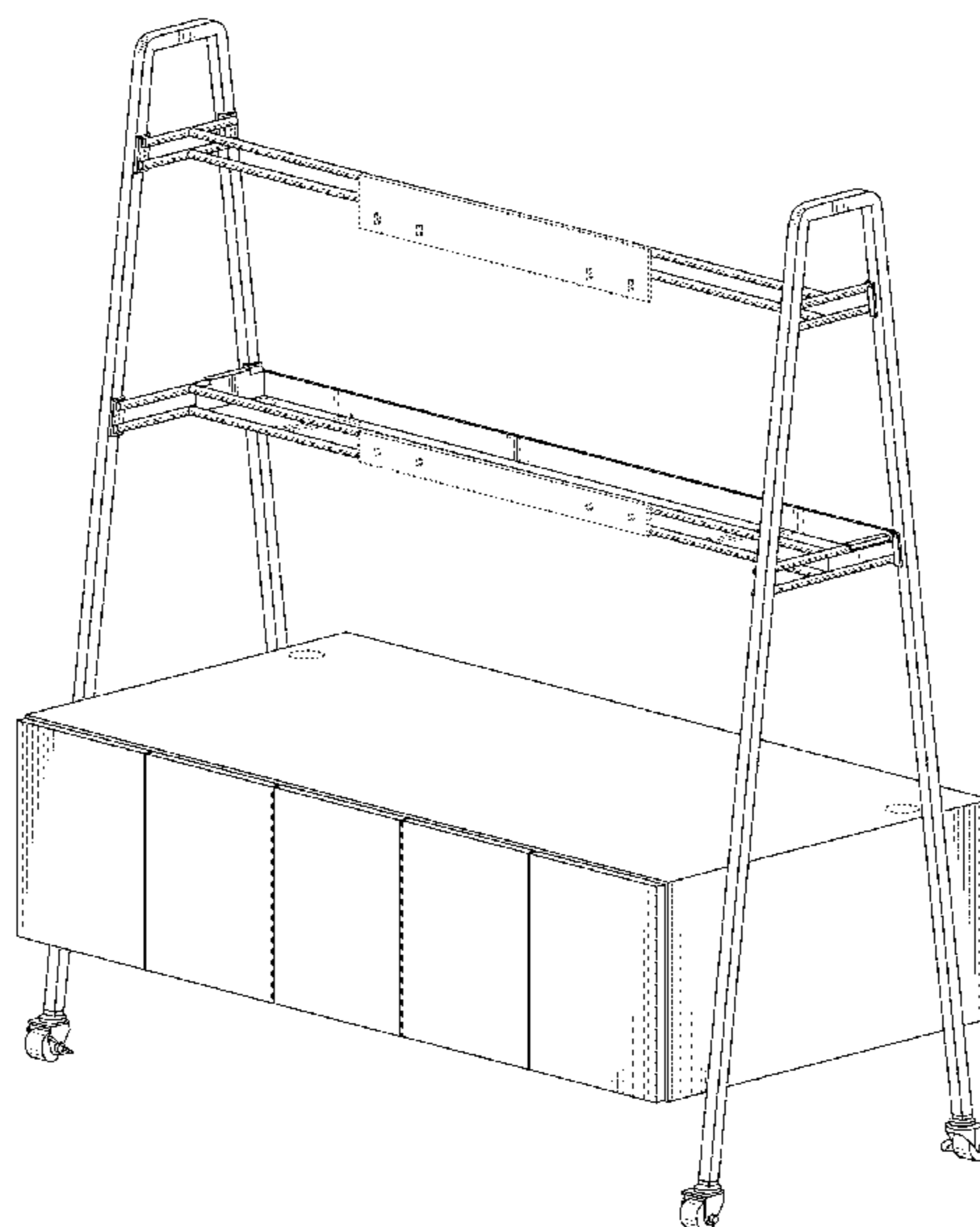
(57) **CLAIM**

The ornamental design for a cart, as shown and described.

**DESCRIPTION**

FIG. 1 is a perspective view of a cart showing our new design;  
FIG. 2 is a front elevational view thereof;  
FIG. 3 is a rear elevational view thereof;  
FIG. 4 is a top plan view thereof;  
FIG. 5 is a bottom plan view thereof;  
FIG. 6 is a left side elevational view thereof; and,  
FIG. 7 is a right side elevational view thereof.  
The broken lines shown in the drawing Figures illustrate portions of the cart that form no part of the claimed design.

**1 Claim, 6 Drawing Sheets**



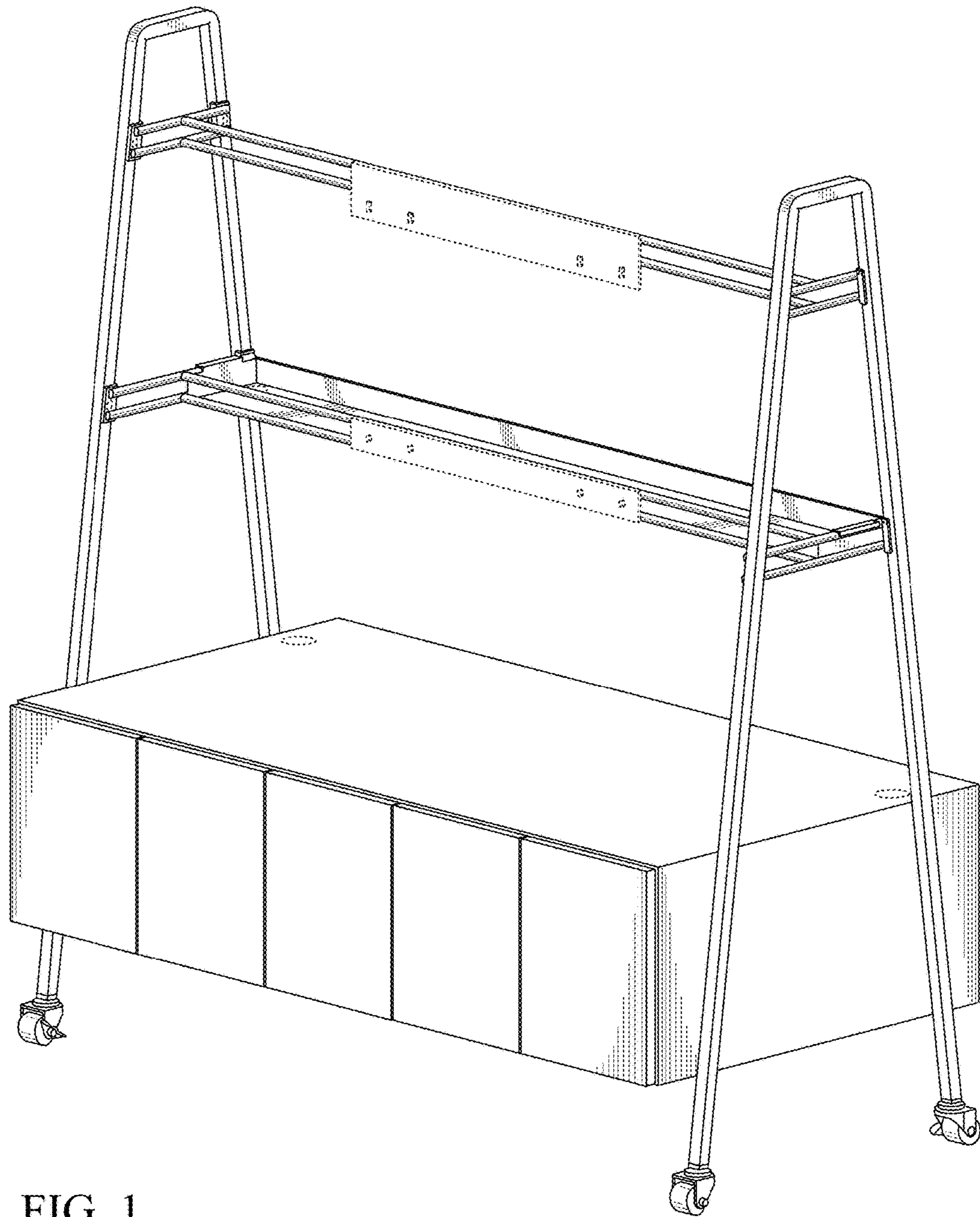


FIG. 1

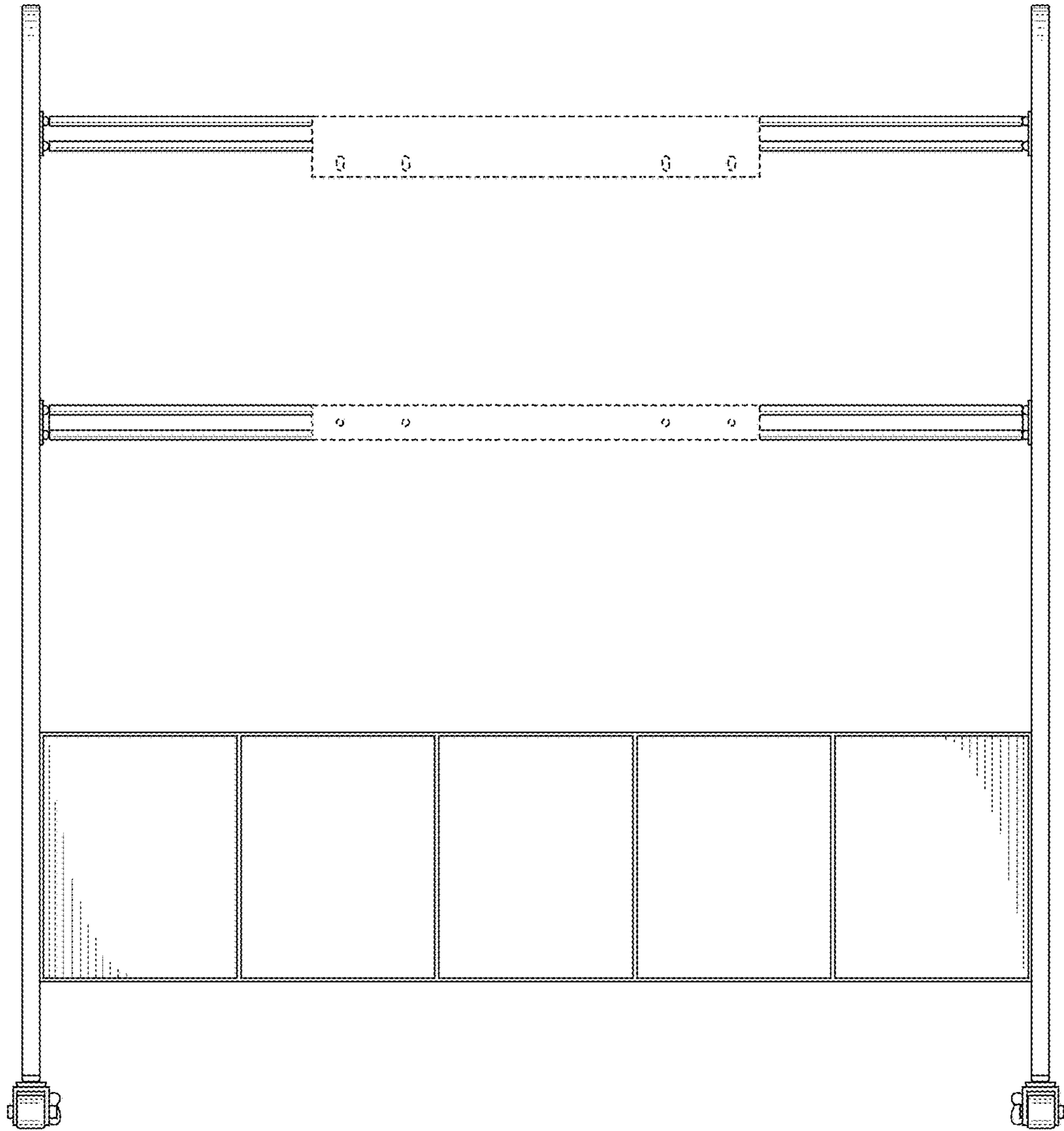


FIG. 2

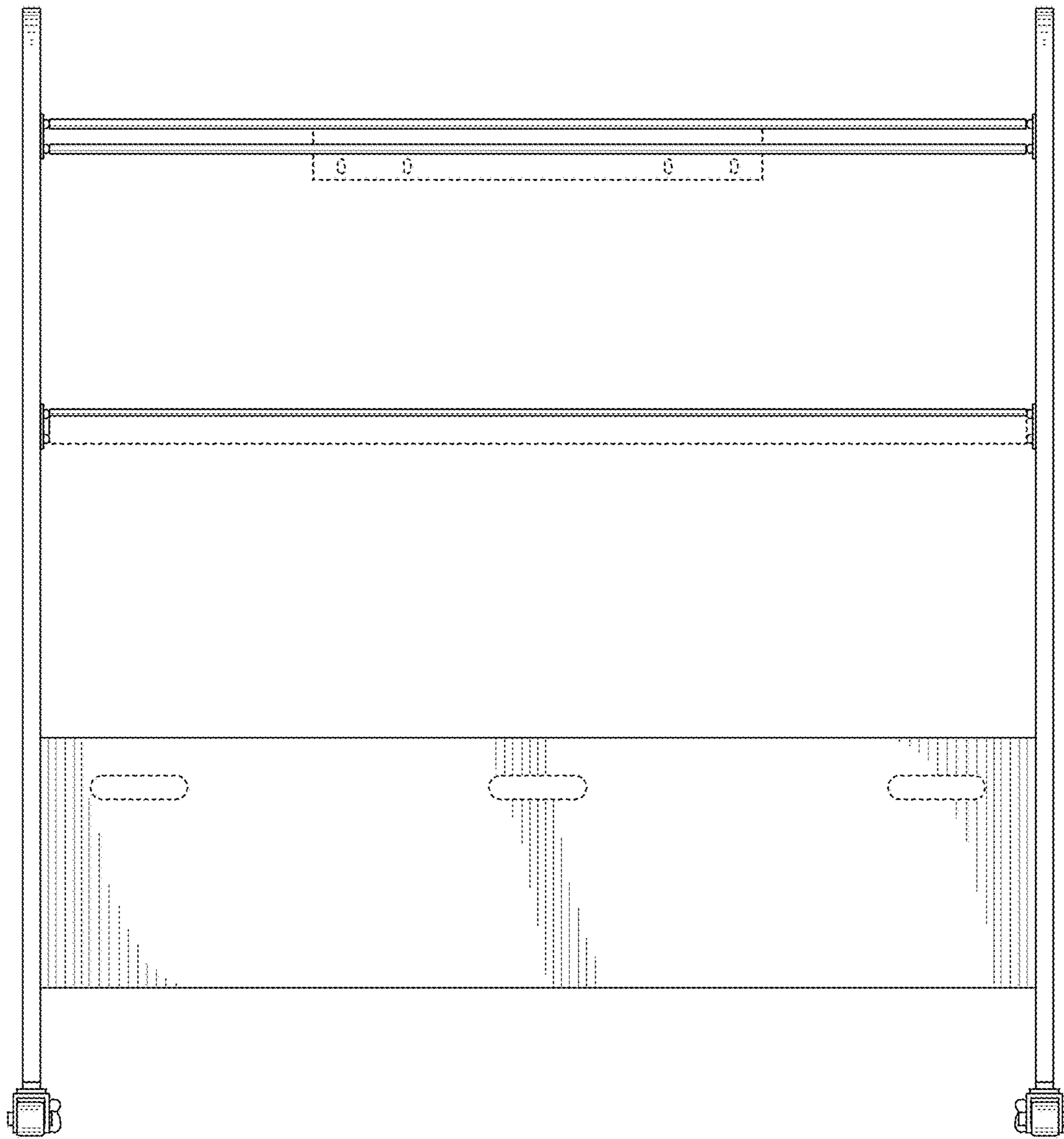


FIG. 3



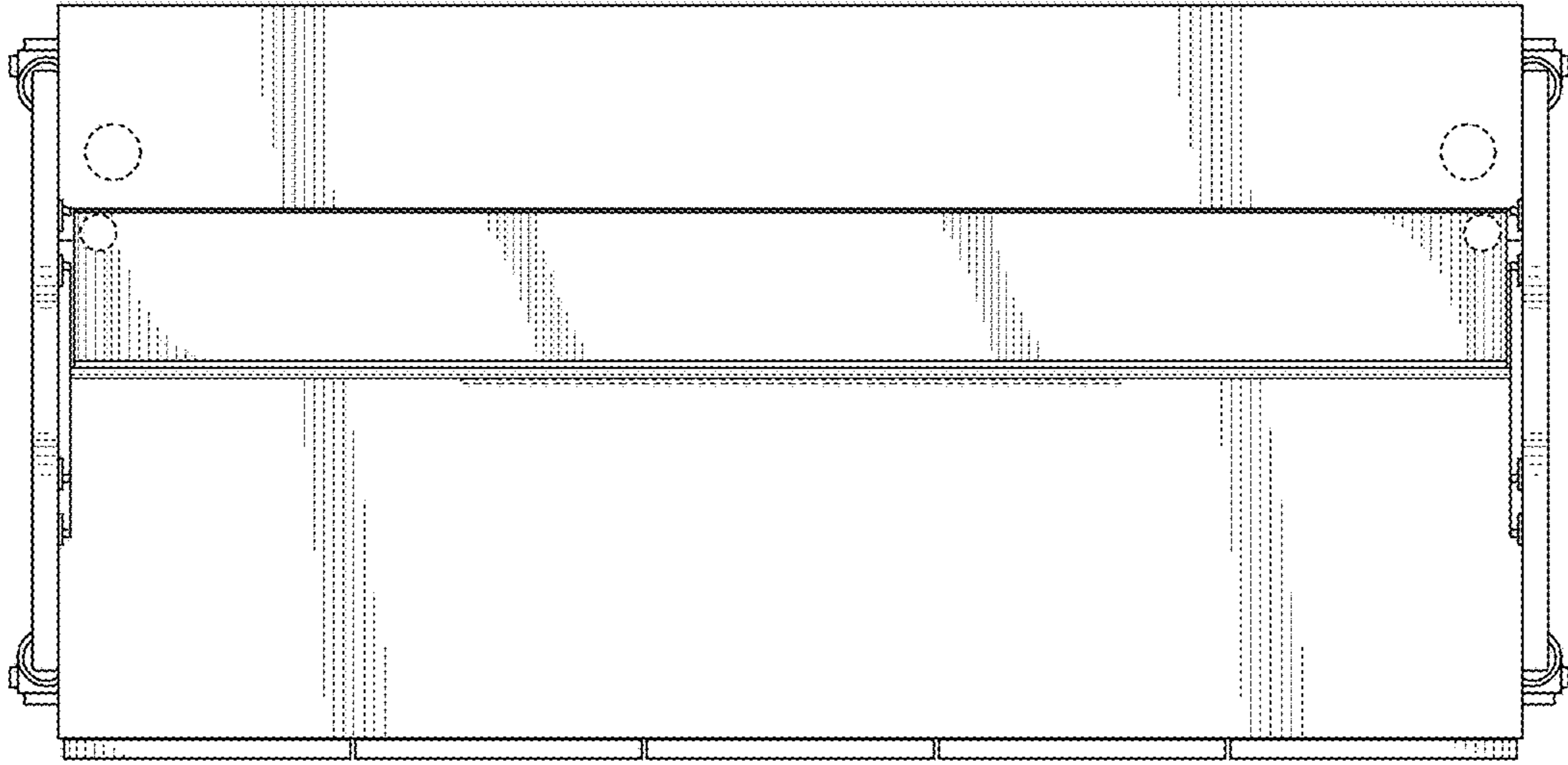


FIG. 4

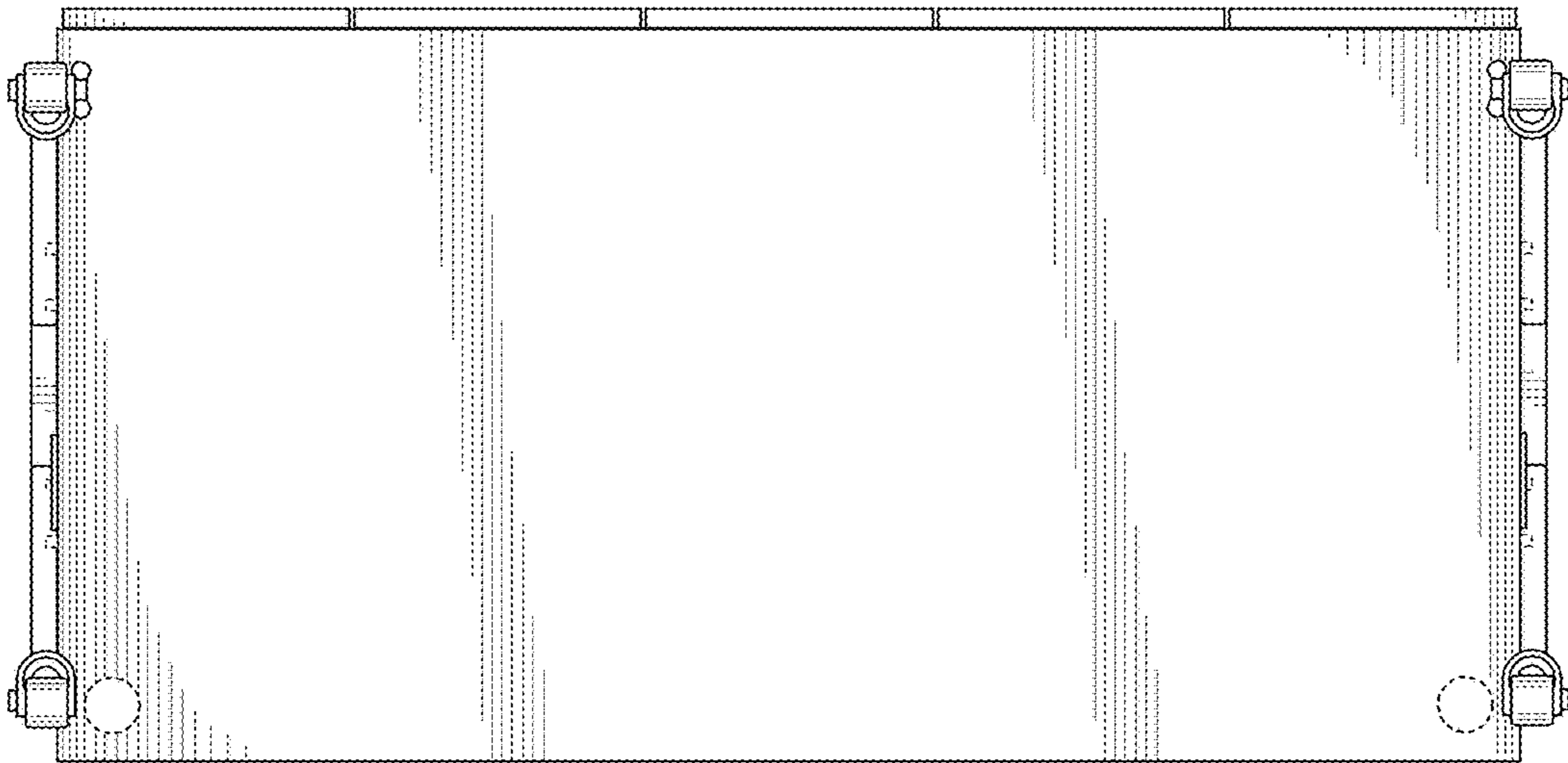


FIG. 5

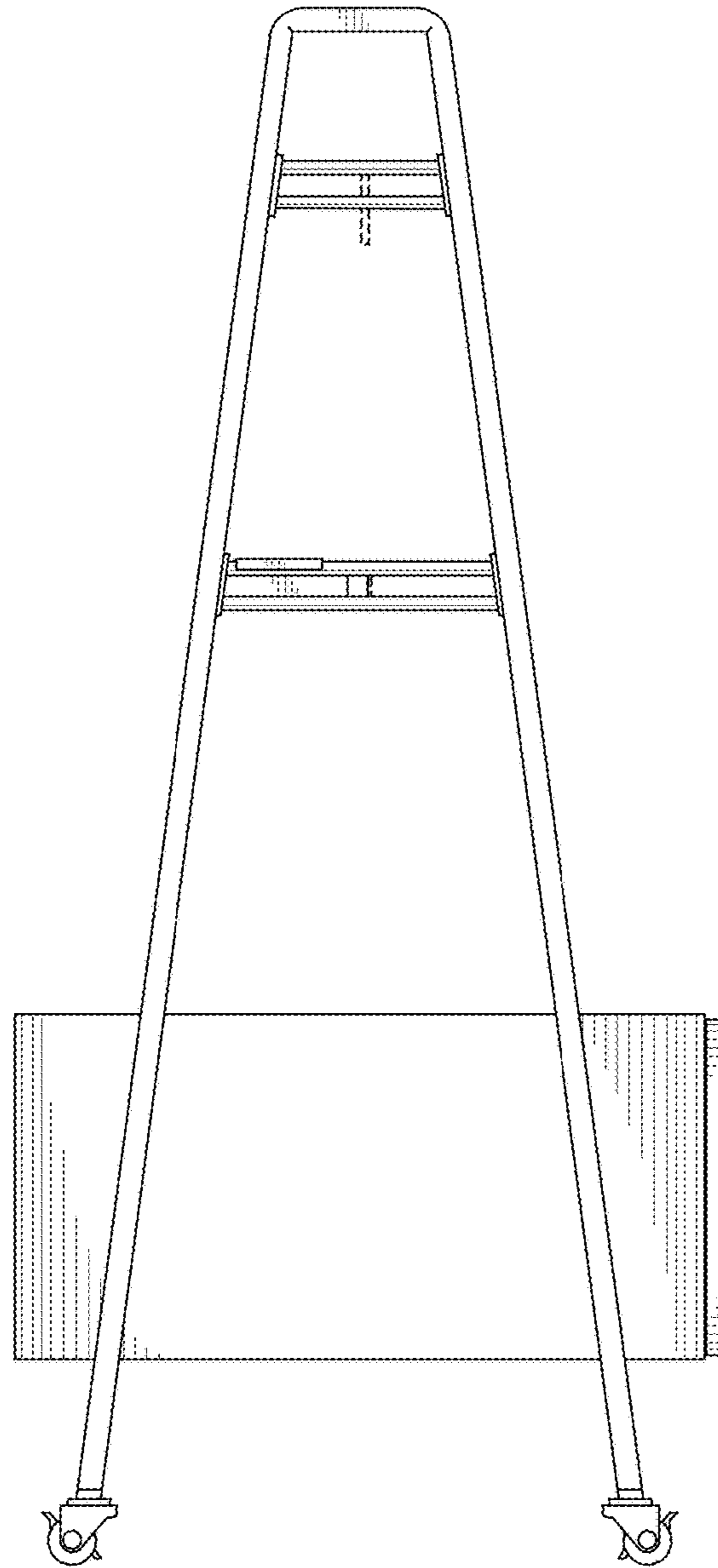


FIG. 6

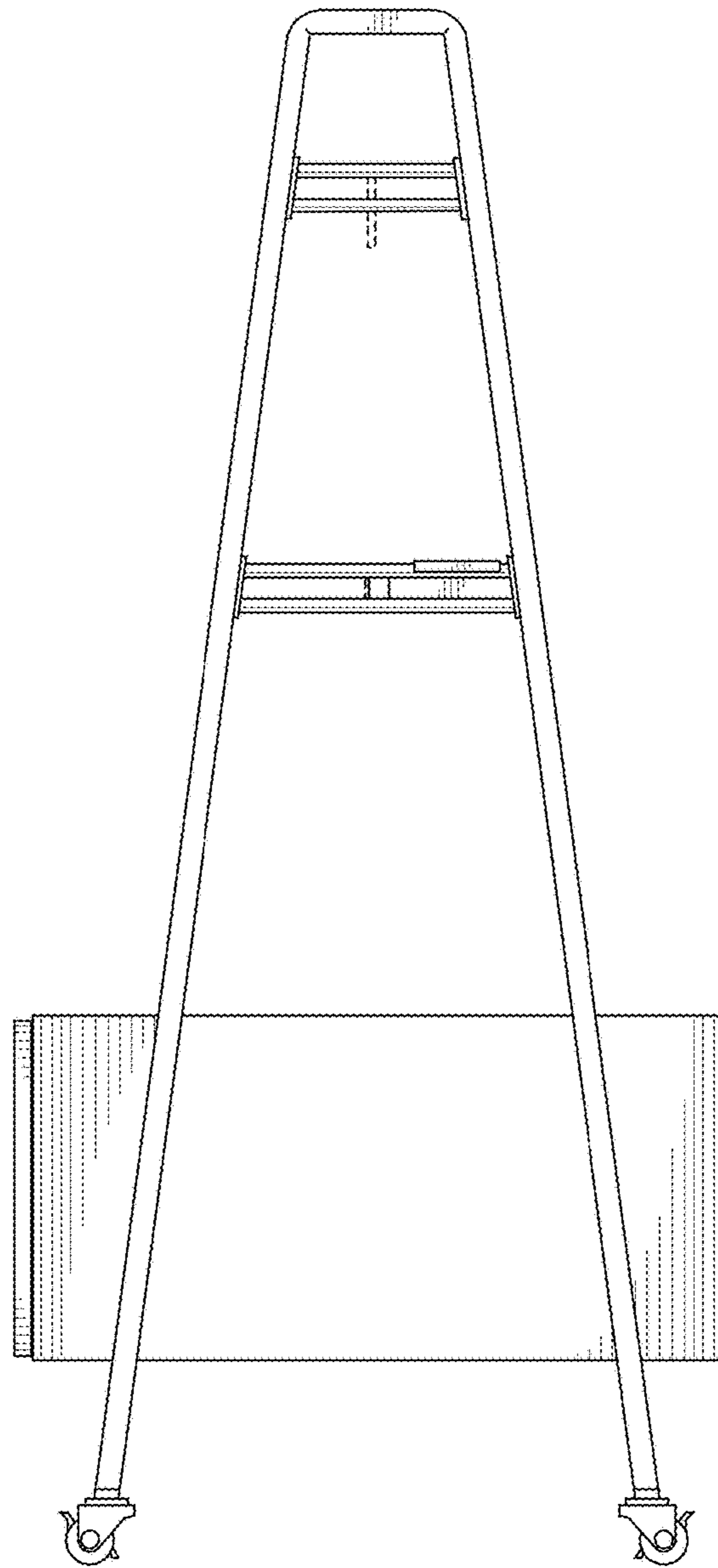


FIG. 7