

US00D864624S

(12) **United States Design Patent** (10) **Patent No.:** **US D864,624 S**
Vandenham et al. (45) **Date of Patent:** **** Oct. 29, 2019**

(54) **MODULAR CABINET SYSTEM**

FOREIGN PATENT DOCUMENTS

(71) Applicant: **NewAge Products, Inc.**, Vaughan (CA)

CN 200977653 Y 11/2007
CN 102848369 A 1/2013

(72) Inventors: **Robert Vandenham**, North York (CA);
Parag Shah, Toronto (CA); **Frank Spano**, Toronto (CA)

(Continued)

(73) Assignee: **NewAge Products, Inc.**, Vaughan,
Ontario (CA)

English language abstract of CN 204700864U extracted from
espacenet.com database on Jun. 23, 2016, 1 page; and English
language translation of CN 204700864U, 17 pages.

(**) Term: **15 Years**

(Continued)

(21) Appl. No.: **29/623,677**

(22) Filed: **Oct. 26, 2017**

Primary Examiner — Ricky Pham

(74) *Attorney, Agent, or Firm* — Howard & Howard
Attorneys PLLC

Related U.S. Application Data

(62) Division of application No. 29/551,920, filed on Jan.
19, 2016, now Pat. No. Des. 807,085.

(51) **LOC (12) Cl.** **06-04**

(52) **U.S. Cl.**

USPC **D6/671.1**

(58) **Field of Classification Search**

USPC D3/279, 283–284, 286, 297, 318–319,
D3/905; D6/336, 653.1, 661, 662, 663,
D6/664.1, 668, 668.1, 668.2, 669, 671,
D6/671.1, 671.2, 671.3, 671.4, 686, 703,
D6/703.3, 705, 705.5, 718.14; D13/184;
D15/127; D34/19, 20, 21
CPC A47B 49/00; A47B 49/002; A47B 67/00;
A47B 67/04; A47B 87/02; A47B 88/04;
A47B 88/0411; A47B 88/20; A47B

(Continued)

(56) **References Cited**

U.S. PATENT DOCUMENTS

D102,998 S 2/1937 Tashjian
3,023,068 A 2/1962 Haag

(Continued)

OTHER PUBLICATIONS

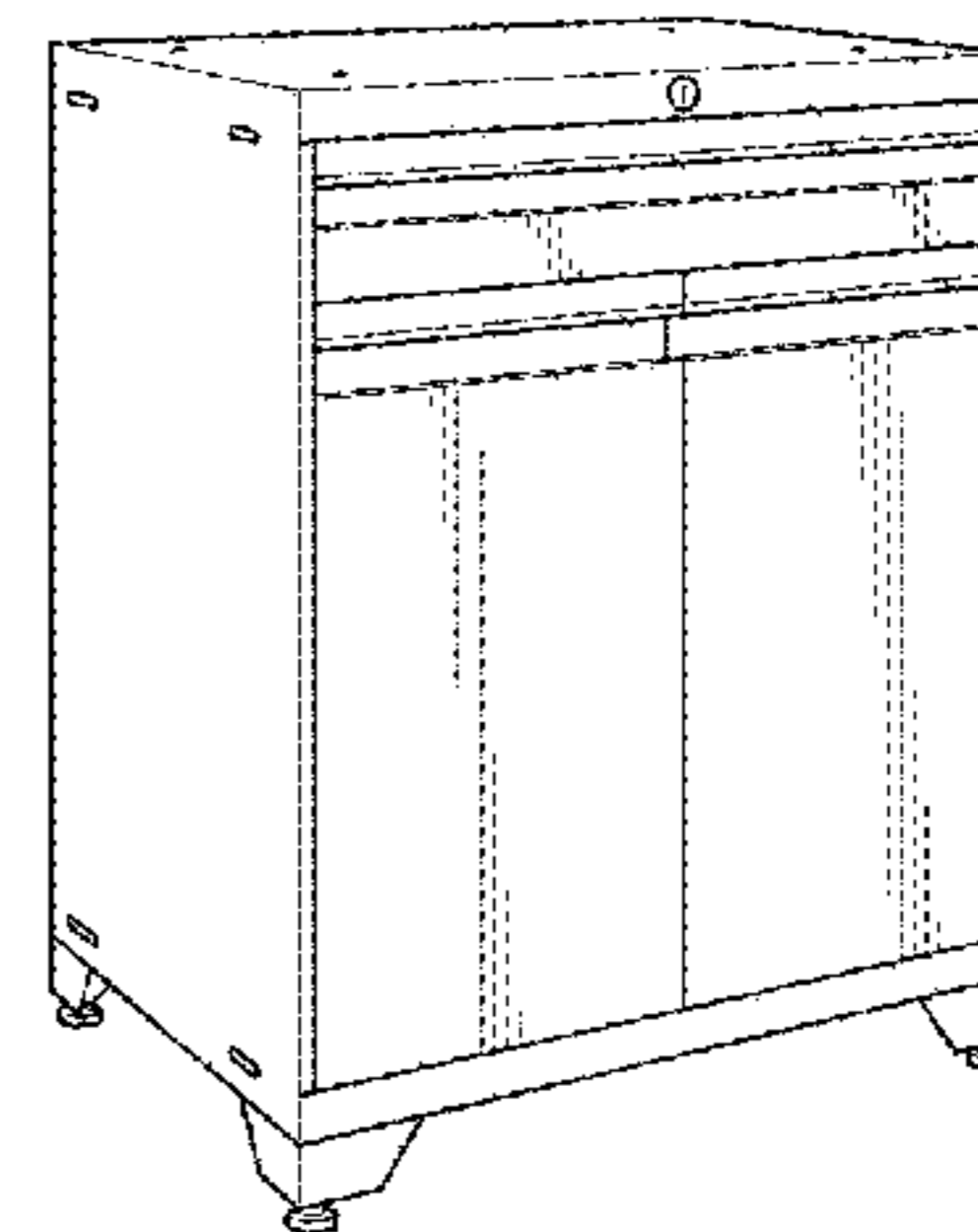
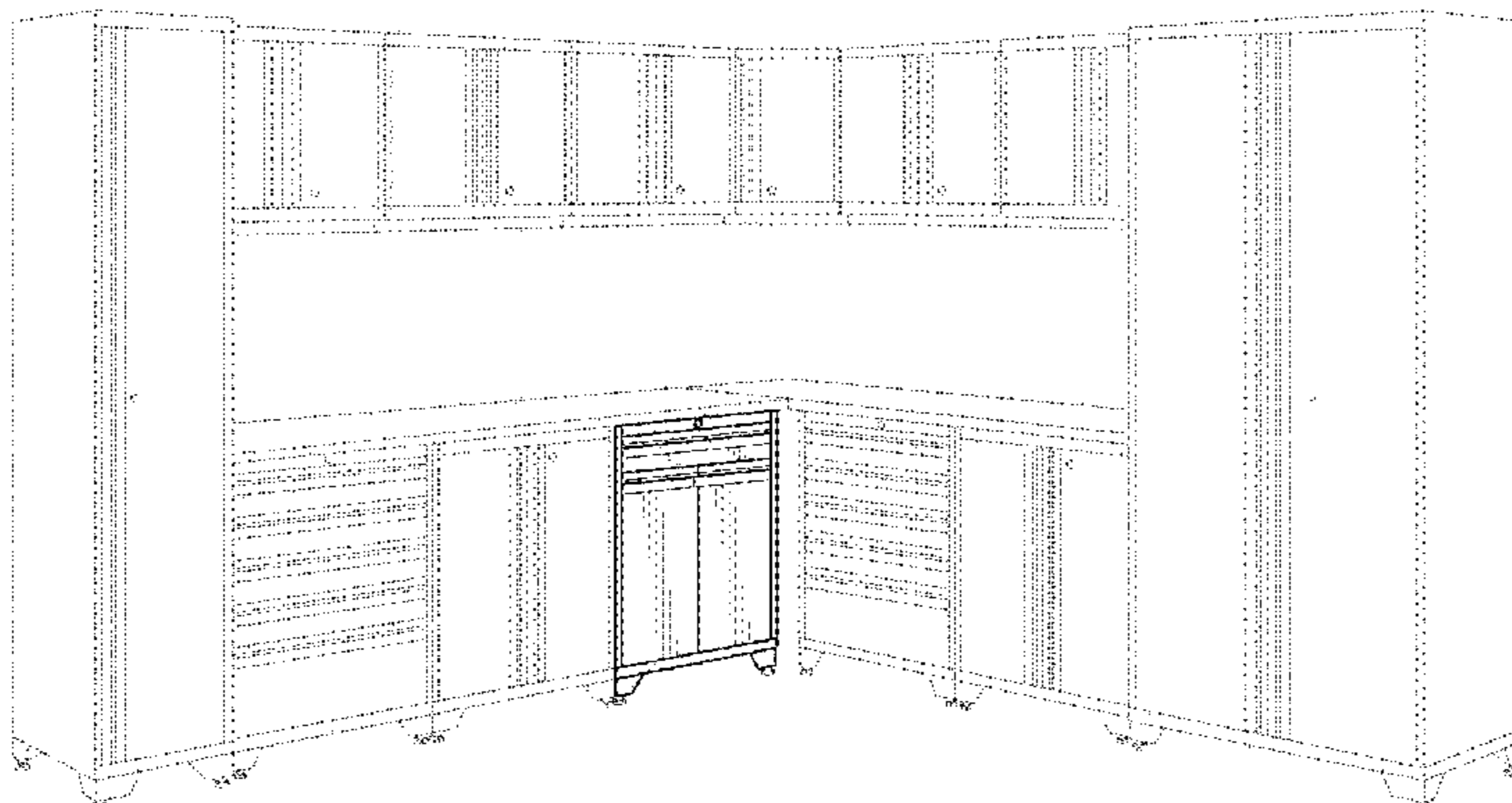
(57) **CLAIM**

The ornamental design for a modular cabinet system, as
shown and described.

DESCRIPTION

FIG. 1 is a perspective view of a modular cabinet system;
FIG. 2 is a perspective view of a base cabinet of the modular
cabinet system of FIG. 1;
FIG. 3 is a front elevational view of the base cabinet of FIG.
2;
FIG. 4 is a rear elevational view of the base cabinet of FIG.
2;
FIG. 5 is a left side elevational view of the base cabinet of
FIG. 2;
FIG. 6 is a right side elevational view of the base cabinet of
FIG. 2;
FIG. 7 is a top plan view of the base cabinet of FIG. 2; and,
FIG. 8 is a bottom plan view of the base cabinet of FIG. 2.
The broken lines shown in the drawings are for illustrative
purposes only and form no part of the claimed design.

1 Claim, 4 Drawing Sheets



(58) **Field of Classification Search**
 CPC .. 2210/00; A47B 2210/004; A47B 2210/0078;
 A47B 2210/0008; A47F 3/00; A62C
 2/242; B62B 3/00; B25H 1/02; B25H
 3/00; B25H 3/003; B25H 3/006; B25H
 3/02; B25H 3/021
 See application file for complete search history.

D743,358 S 11/2015 Cagliani et al.
 D760,518 S 7/2016 Shah et al.
 D765,445 S 9/2016 Persson
 9,630,036 B2 4/2017 Strum et al.
 D803,602 S 11/2017 Hightower et al.
 D807,084 S 1/2018 Waldner
 D807,085 S 1/2018 Vandenharm et al.
 D821,118 S 6/2018 Chiao et al.
 D830,740 S 10/2018 Shah et al.
 D837,539 S * 1/2019 Nicoll B25H 1/02
 D6/336

(56) **References Cited**

U.S. PATENT DOCUMENTS

3,247,312 A 4/1966 Alessi
 3,356,434 A 12/1967 Theodores
 D224,492 S 8/1972 Inhelder
 3,892,452 A 7/1975 Williams et al.
 3,926,486 A 12/1975 Sasnett
 D284,243 S 6/1986 Barber
 4,728,161 A 3/1988 Murphy
 D356,703 S * 3/1995 Dickinson D34/19
 D379,004 S 4/1997 Keijser et al.
 D384,846 S 10/1997 Zaidman et al.
 D387,035 S 12/1997 Hartel et al.
 D390,835 S 2/1998 Mayfield, III
 D407,385 S 3/1999 Belanger et al.
 D423,817 S 5/2000 Holcomb et al.
 D427,454 S 7/2000 Munch et al.
 D431,733 S 10/2000 Zimmerman
 D459,614 S 7/2002 Grosfillex
 6,640,572 B2 11/2003 Doran
 D499,276 S 12/2004 Grosfillex
 6,926,376 B2 8/2005 Arent et al.
 D518,310 S 4/2006 Mehmen et al.
 D518,984 S * 4/2006 Schmidt D6/703
 D520,264 S 5/2006 Mehmen et al.
 D520,784 S 5/2006 Schmidt et al.
 7,048,347 B1 5/2006 Liu
 D543,741 S 6/2007 Gaska et al.
 D549,501 S * 8/2007 Gaska D6/703.3
 D550,004 S * 9/2007 Gaska D6/705.5
 D576,421 S 9/2008 Grabowski et al.
 D576,940 S 9/2008 Maynard
 D577,523 S * 9/2008 Mehmen D6/705.5
 D580,195 S 11/2008 Daino et al.
 D609,936 S 2/2010 Haimoff
 D613,973 S 4/2010 Holcomb
 D643,165 S 8/2011 Song et al.
 D645,427 S 9/2011 Delakowitz
 D651,829 S 1/2012 Ma
 D658,217 S 4/2012 Wenning
 D663,134 S 7/2012 Wu
 D663,495 S 7/2012 Song et al.
 D666,034 S * 8/2012 Gaska D6/703.3
 D668,078 S 10/2012 Daino et al.
 D670,510 S 11/2012 Daino et al.
 D673,387 S * 1/2013 Pazhoor D6/686
 D686,437 S * 7/2013 Johnson D6/661
 D711,169 S 8/2014 Anderson et al.
 D711,673 S 8/2014 Lim
 D734,069 S 7/2015 Zhao
 D734,070 S 7/2015 Zhao
 D734,071 S 7/2015 Zhao
 D734,072 S 7/2015 Zhao
 D734,073 S 7/2015 Zhao

D837,542 S 1/2019 Nicoll et al.
 2002/0153814 A1 10/2002 Robideau
 2003/0127956 A1 7/2003 Stoever
 2013/0063003 A1 3/2013 Liu
 2016/0128471 A1 5/2016 Chang

FOREIGN PATENT DOCUMENTS

CN 202784064 U 3/2013
 CN 302846152 S 6/2014
 CN 302846153 S 6/2014
 CN 302846154 S 6/2014
 CN 302869741 S 7/2014
 CN 302892641 S 7/2014
 CN 302892642 S 7/2014
 CN 302892643 S 7/2014
 CN 302892644 S 7/2014
 CN 302892645 S 7/2014
 CN 302892646 S 7/2014
 CN 302892647 S 7/2014
 CN 302892648 S 7/2014
 CN 302921462 S 8/2014
 CN 302921463 S 8/2014
 CN 104493796 A 4/2015
 CN 104493798 A 4/2015
 CN 104552196 A 4/2015
 CN 104626078 A 5/2015
 CN 104626079 A 5/2015
 CN 204354098 U 5/2015
 CN 204354099 U 5/2015
 CN 204354101 U 5/2015
 CN 204354102 U 5/2015
 CN 204354103 U 5/2015
 CN 204698125 U 10/2015
 CN 204700856 U 10/2015
 CN 204700864 U 10/2015

OTHER PUBLICATIONS

Newage Products INC., "Pro Series Garage Storage Cabinets"
 downloaded from <http://newageproducts.com/ca/cabinets-landing/pro-bold-series-landing/pro-series-product/> on May 26, 2016, 8 pages.
 Newage Products INC., "Bold Series Garage Cabinets for Storage"
 downloaded from <http://newageproducts.com/uk/bold-series-product/> on May 26, 2016, 13 pages.
 Design U.S. Appl. No. 29/623,672, filed Oct. 26, 2017, 57 pages.
 Design U.S. Appl. No. 29/623,673, filed Oct. 26, 2017, 57 pages.
 Design U.S. Appl. No. 29/623,674, filed Oct. 26, 2017, 57 pages.
 Design U.S. Appl. No. 29,623,670, filed Oct. 26, 2017, 57 pages.

* cited by examiner

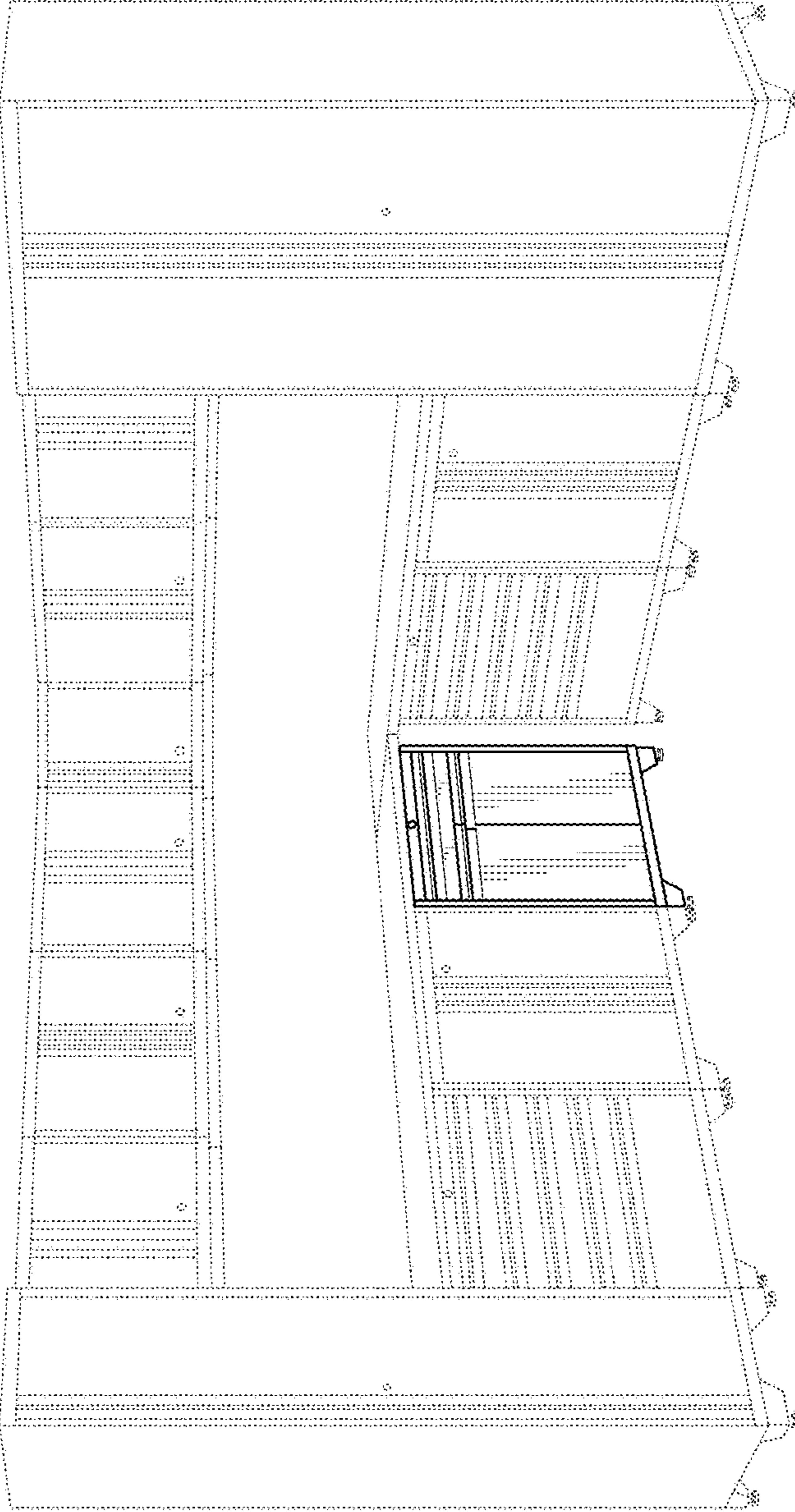


FIG. 1

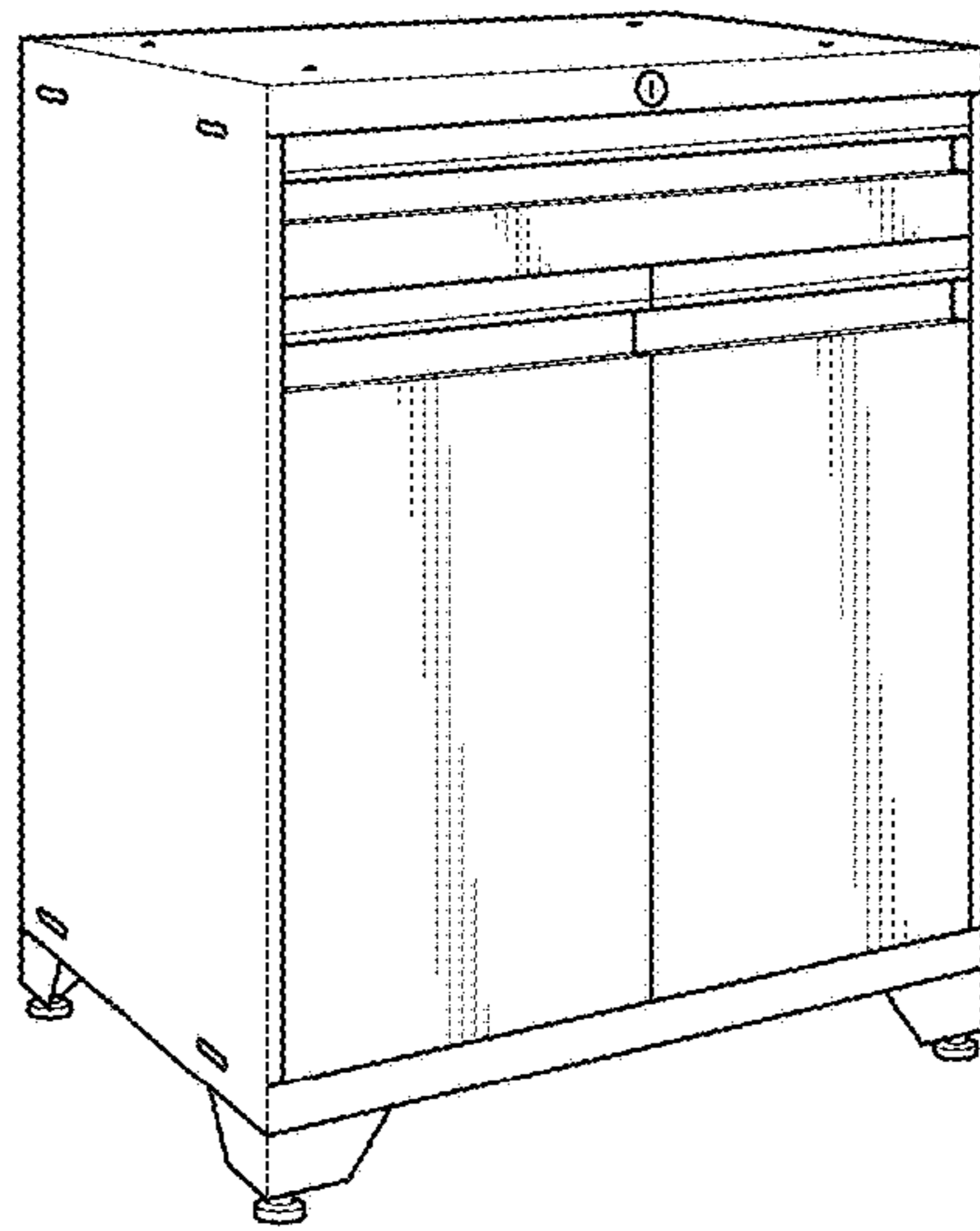


FIG. 2

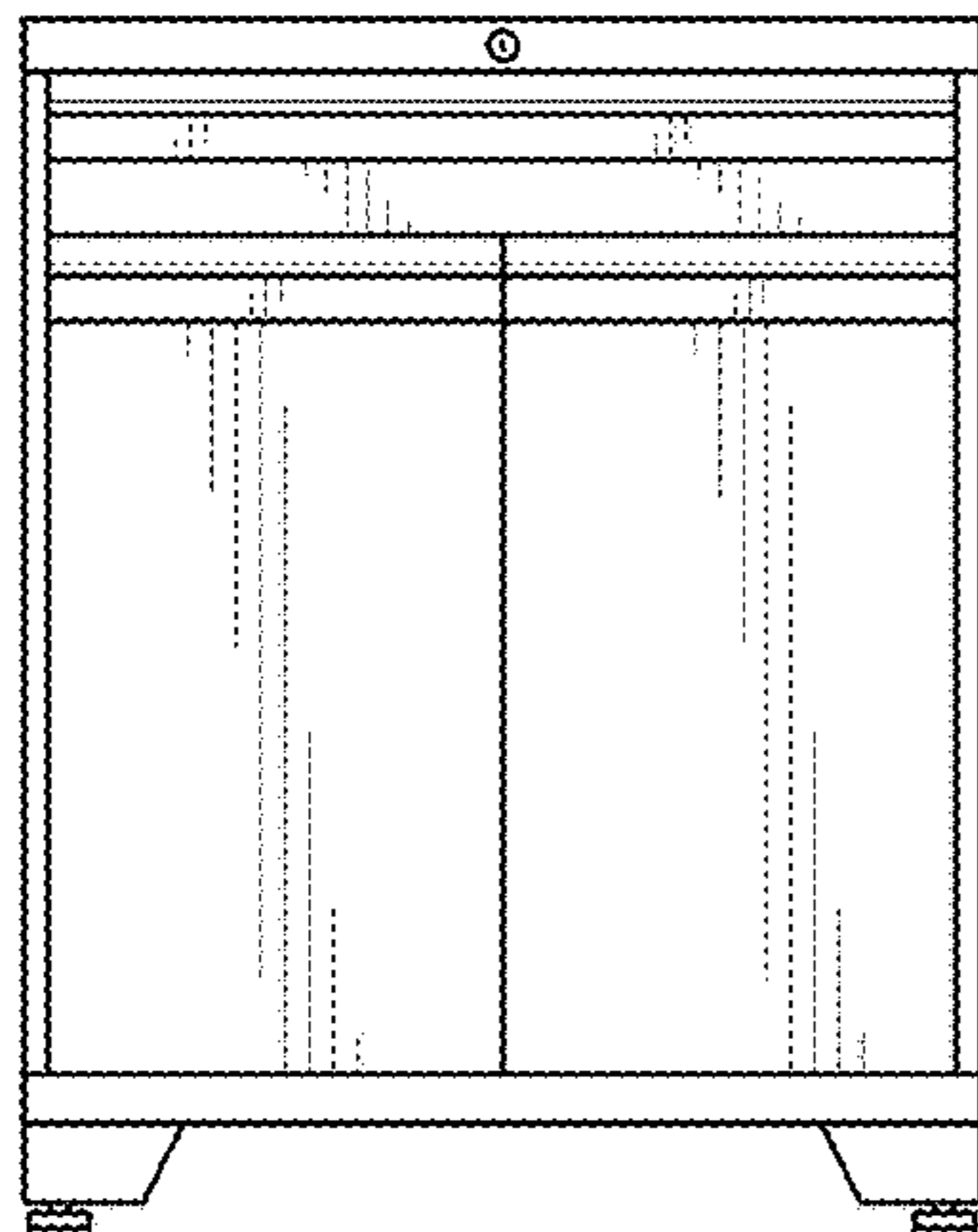


FIG. 3

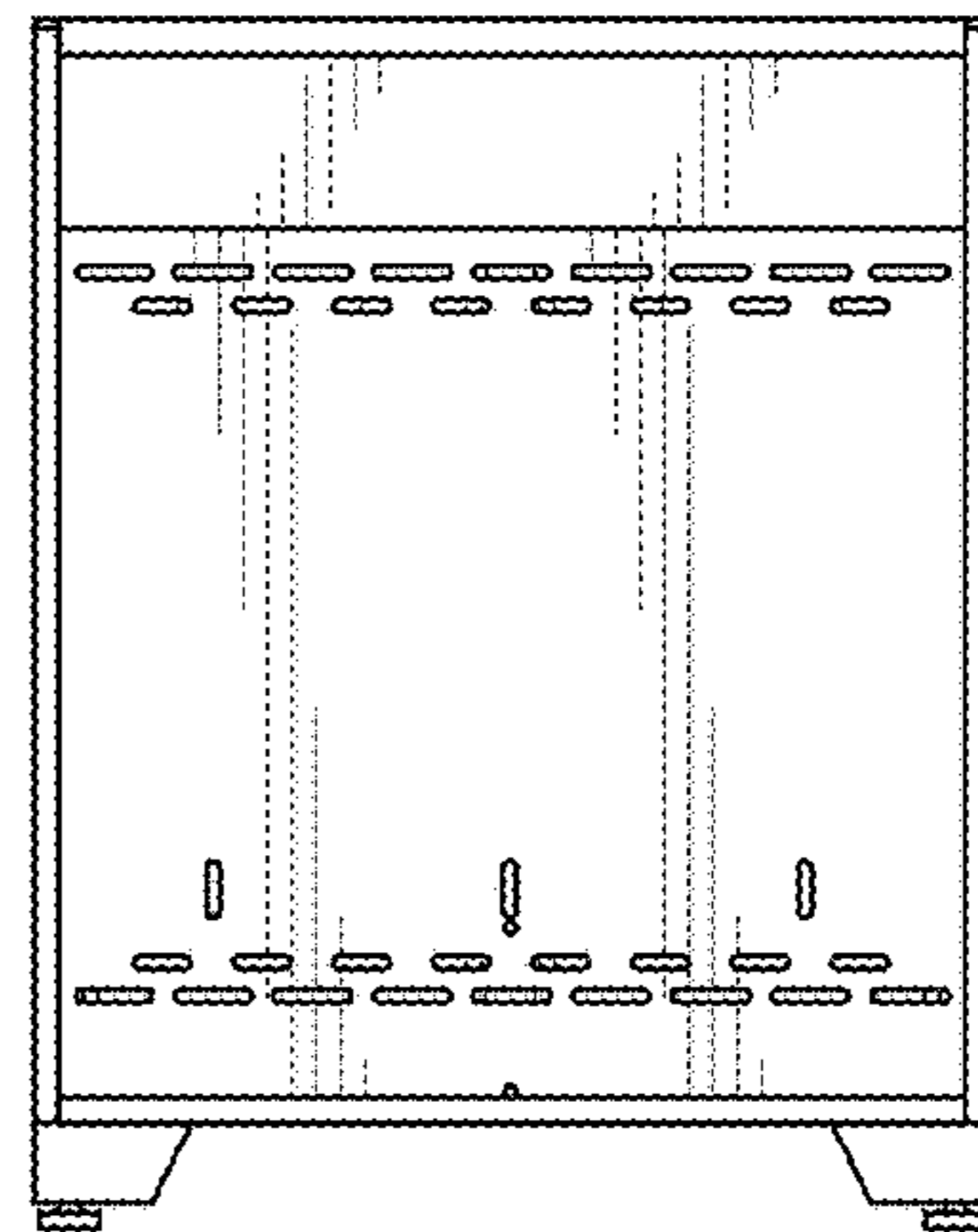


FIG. 4

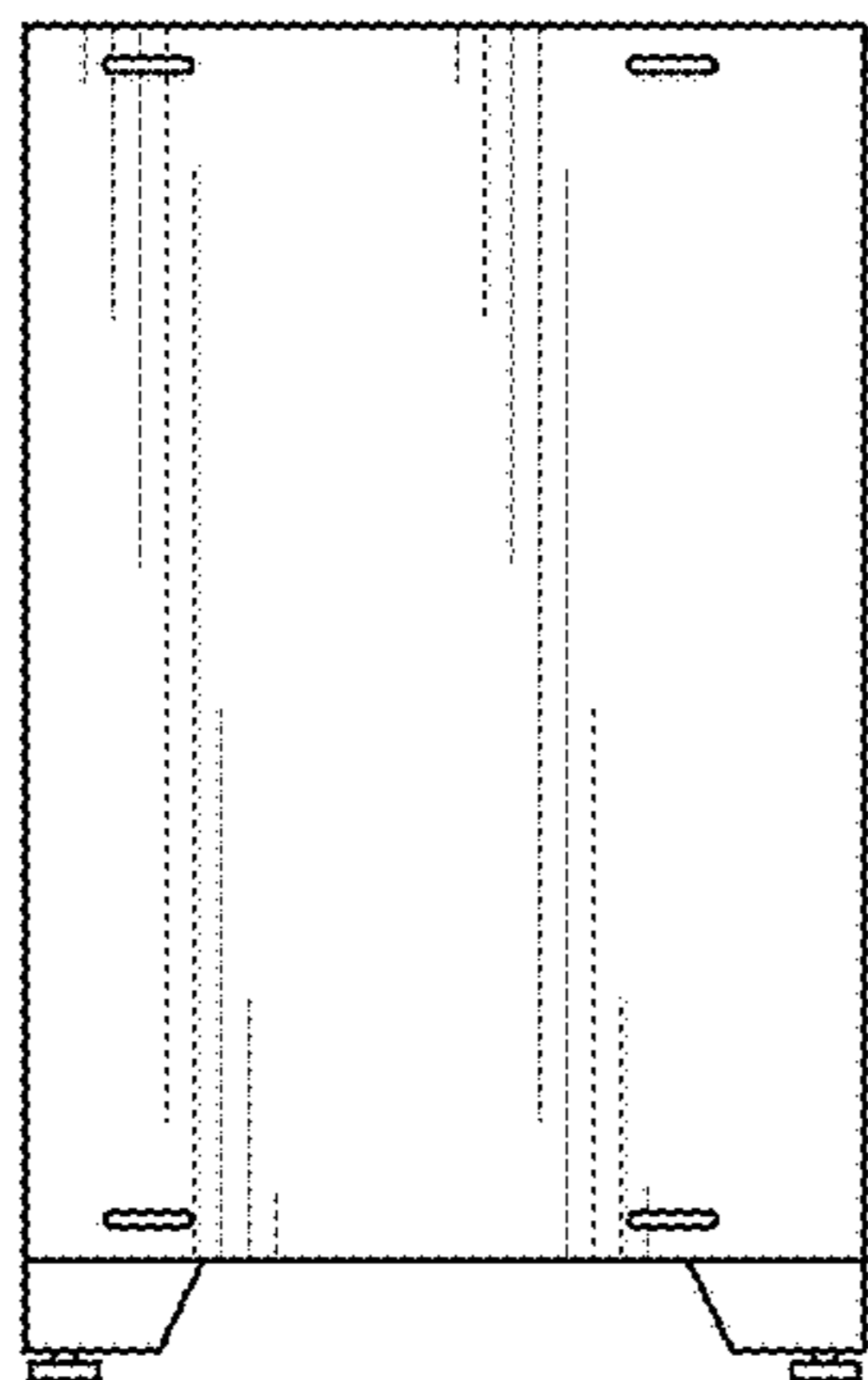


FIG. 5

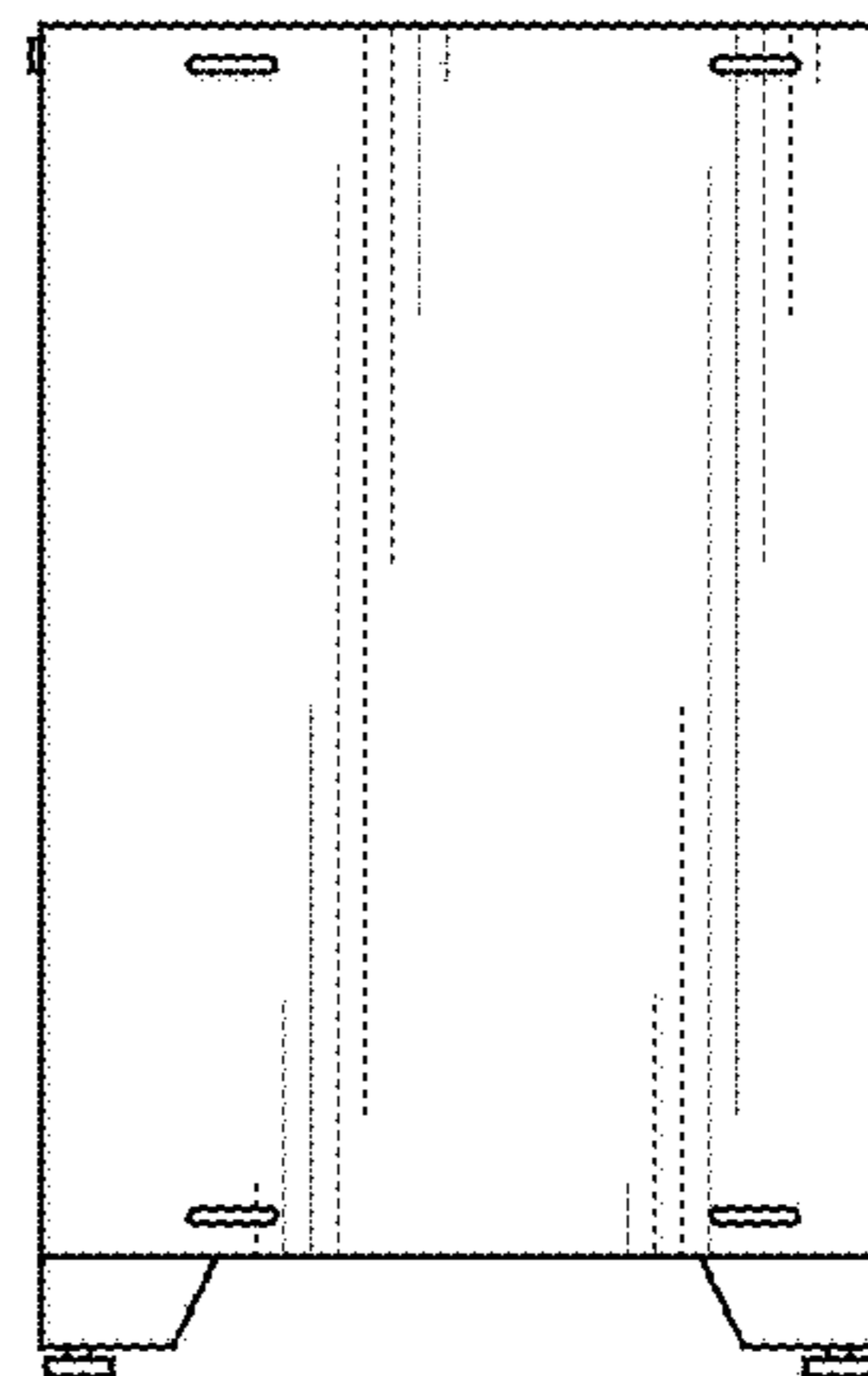


FIG. 6

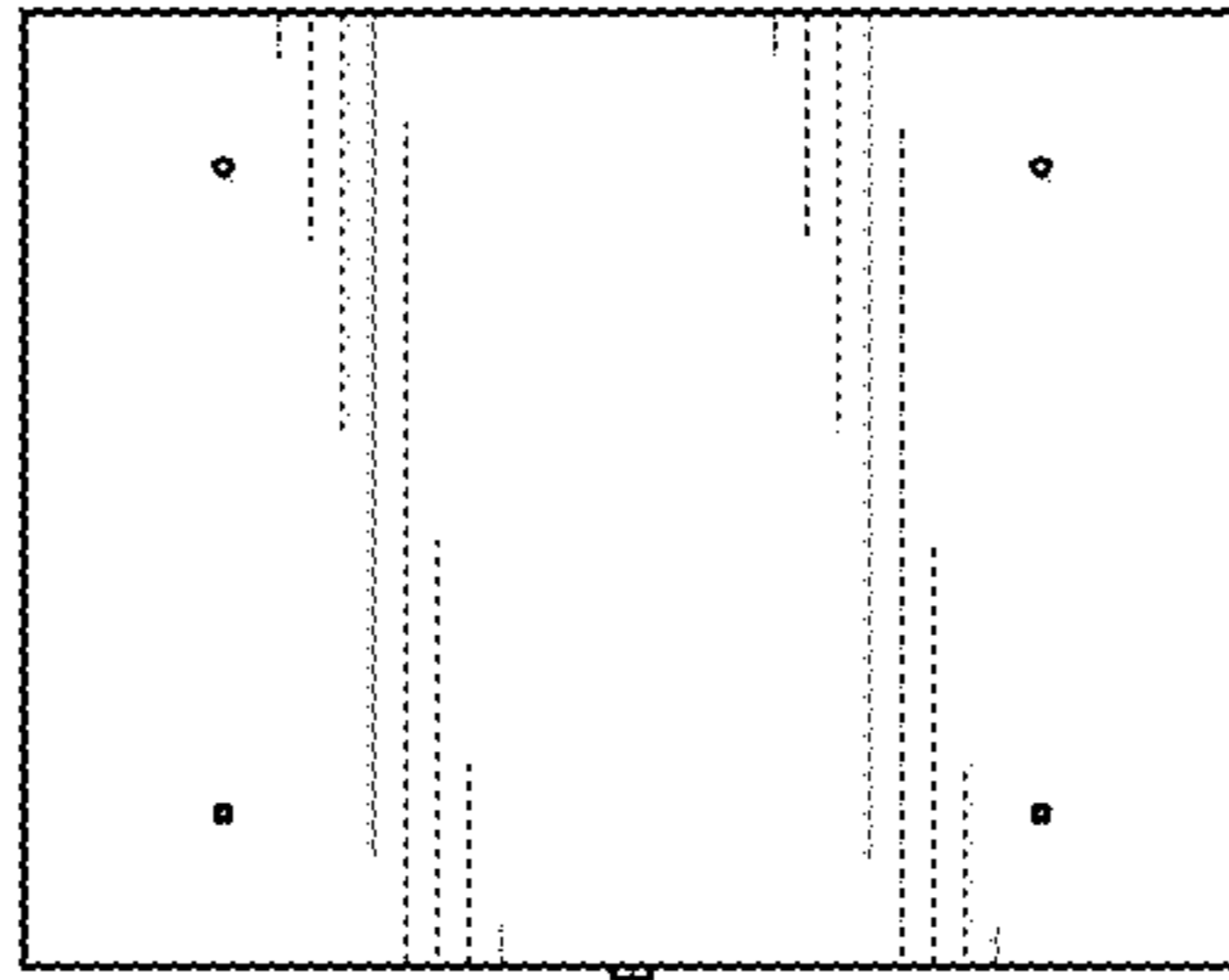


FIG. 7

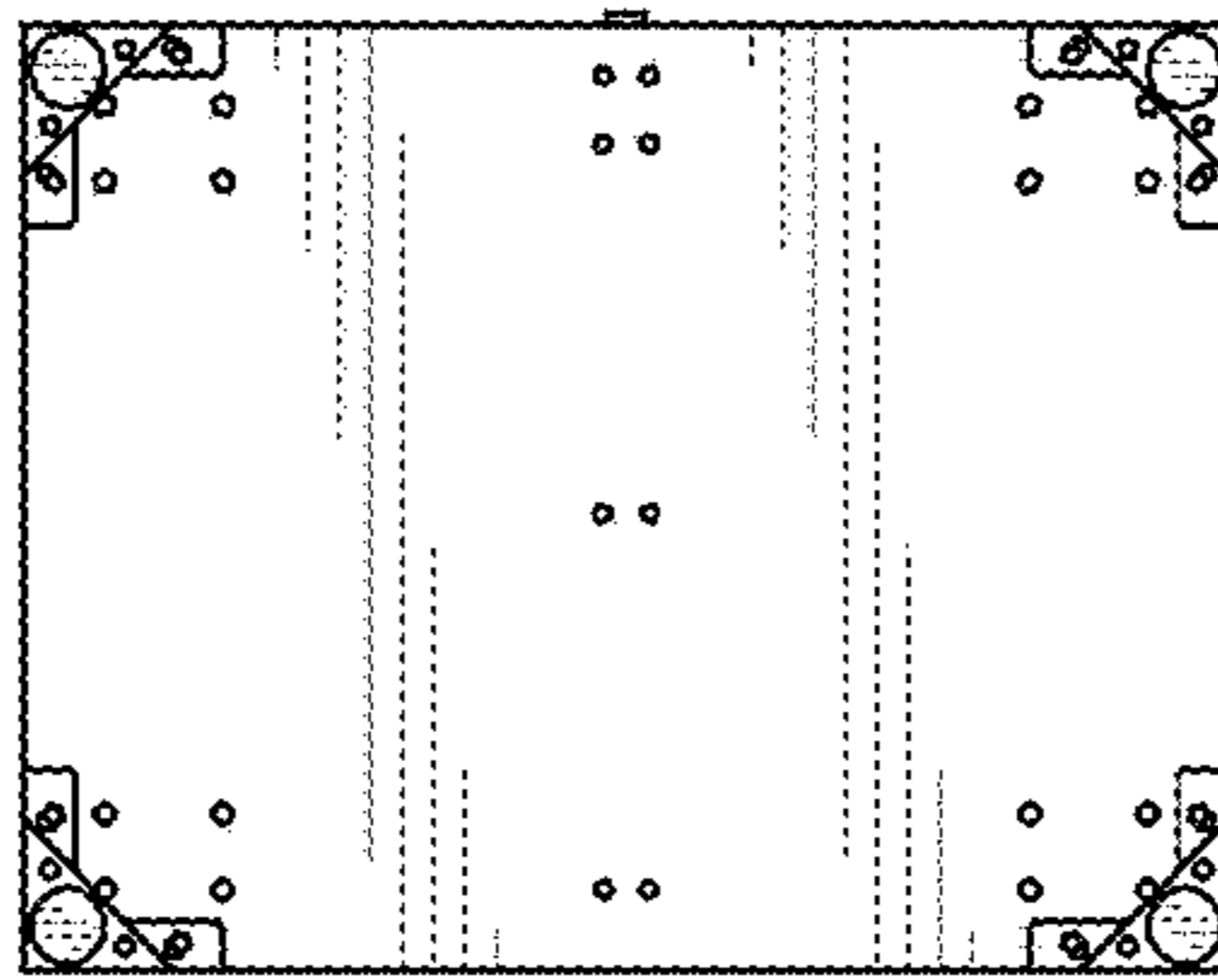


FIG. 8