



US00D864623S

(12) **United States Design Patent** (10) **Patent No.:** **US D864,623 S**  
**Vandenham et al.** (45) **Date of Patent:** **\*\* Oct. 29, 2019**

(54) **MODULAR CABINET SYSTEM**

FOREIGN PATENT DOCUMENTS

(71) Applicant: **NewAge Products, Inc.**, Vaughan (CA)

CN 200977653 Y 11/2007  
CN 102848369 A 1/2013

(72) Inventors: **Robert Vandenham**, North York (CA);  
**Parag Shah**, Toronto (CA); **Frank Spano**, Toronto (CA)

(Continued)

(73) Assignee: **NewAge Products, Inc.**, Vaughan,  
Ontario (CA)

OTHER PUBLICATIONS

(\*\*) Term: **15 Years**

English language abstract of CN 204700864U extracted from  
espacenet.com database on Jun. 23, 2016, 1 page; and English  
language translation of CN 204700864U, 17 pages.

(21) Appl. No.: **29/623,673**

*Primary Examiner* — Ricky Pham

(22) Filed: **Oct. 26, 2017**

(74) *Attorney, Agent, or Firm* — Howard & Howard  
Attorneys PLLC

**Related U.S. Application Data**

(62) Division of application No. 29/551,920, filed on Jan.  
19, 2016, now Pat. No. Des. 807,085.

(51) **LOC (12) Cl.** ..... **06-04**

(52) **U.S. Cl.**

USPC ..... **D6/671.1**

(58) **Field of Classification Search**

USPC ..... D3/279, 283–284, 286, 297, 318–319,  
D3/905; D6/653.1, 662, 663, 664.1, 668,  
D6/668.1, 668.2, 669, 671, 671.1, 671.2,  
D6/671.3, 671.4, 705, 705.5, 718.14;  
D13/184; D15/127; D34/19, 20, 21

CPC ..... A47B 49/00; A47B 49/002; A47B 67/00;  
A47B 67/04; A47B 87/02; A47B 88/04;  
A47B 88/0411; A47B 88/20; A47B  
2210/00; A47B 2210/004; A47B

(Continued)

(56) **References Cited**

U.S. PATENT DOCUMENTS

D102,998 S \* 2/1937 Tashjian ..... D6/671.1  
3,023,068 A 2/1962 Haag

(Continued)

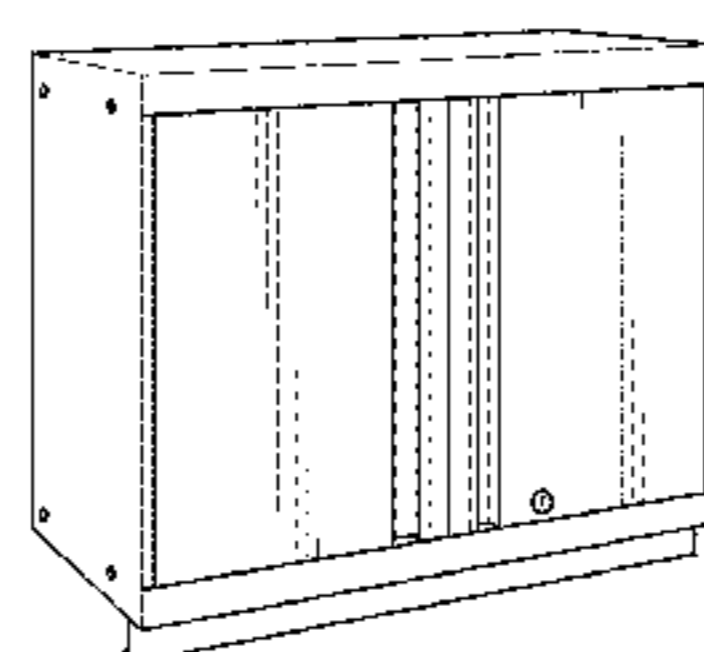
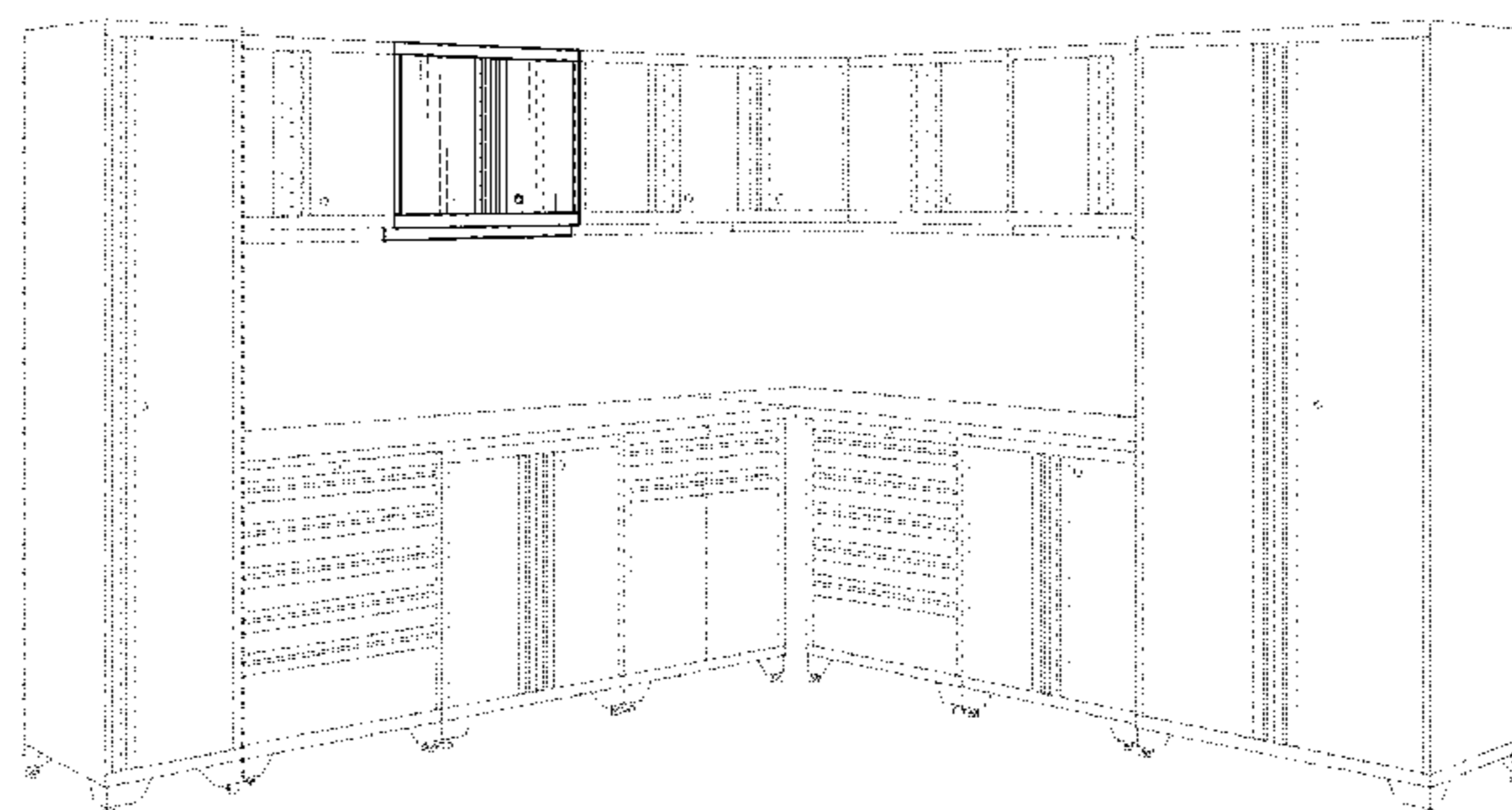
(57) **CLAIM**

The ornamental design for a modular cabinet system, as  
shown and described.

**DESCRIPTION**

FIG. 1 is a perspective view of a modular cabinet system;  
FIG. 2 is a perspective view of an upper cabinet of the  
modular cabinet system of FIG. 1;  
FIG. 3 is a front elevational view of the upper cabinet of  
FIG. 2;  
FIG. 4 is a rear elevational view of the upper cabinet of FIG.  
2;  
FIG. 5 is a left side elevational view of the upper cabinet of  
FIG. 2;  
FIG. 6 is a right side elevational view of the upper cabinet  
of FIG. 2;  
FIG. 7 is a top plan view of the upper cabinet of FIG. 2; and,  
FIG. 8 is a bottom plan view of the upper cabinet of FIG. 2.  
The broken lines shown in the drawings are for illustrative  
purposes only and form no part of the claimed design.

**1 Claim, 3 Drawing Sheets**



(58) **Field of Classification Search**  
 CPC ..... 2210/0078; A47B 2210/0008; A47F 3/00;  
 A62C 2/242; B62B 3/00; B25H 3/00;  
 B25H 3/003; B25H 3/006; B25H 3/02;  
 B25H 3/021  
 See application file for complete search history.

(56) **References Cited**

U.S. PATENT DOCUMENTS

3,247,312	A	4/1966	Alessi	
3,356,434	A	12/1967	Theodores	
D224,492	S	8/1972	Inhelder	
3,892,452	A	7/1975	Williams et al.	
3,926,486	A	12/1975	Sasnett	
D284,243	S *	6/1986	Barber .....	D6/663
4,728,161	A	3/1988	Murphy	
D356,703	S	3/1995	Dickinson	
D379,004	S	4/1997	Keijser et al.	
D384,846	S *	10/1997	Zaidman .....	D6/384
D387,035	S	12/1997	Hartel et al.	
D390,835	S	2/1998	Mayfield, III	
D407,385	S	3/1999	Belanger et al.	
D423,817	S	5/2000	Holcomb et al.	
D427,454	S	7/2000	Munch et al.	
D431,733	S *	10/2000	Zimmerman .....	D6/671.1
D459,614	S	7/2002	Grosfillex	
6,640,572	B2	11/2003	Doran	
D499,276	S	12/2004	Grosfillex	
6,926,376	B2	8/2005	Arent et al.	
D518,310	S *	4/2006	Mehmen .....	D6/668.1
D518,984	S	4/2006	Schmidt et al.	
D520,264	S	5/2006	Mehmen et al.	
D520,784	S	5/2006	Schmidt et al.	
7,048,347	B1	5/2006	Liu	
D543,741	S	6/2007	Gaska et al.	
D549,501	S	8/2007	Gaska et al.	
D550,004	S	9/2007	Gaska et al.	
D576,421	S *	9/2008	Grabowski .....	D6/653.1
D576,940	S	9/2008	Maynard	
D577,523	S	9/2008	Mehmen	
D580,195	S	11/2008	Daino et al.	
D609,936	S	2/2010	Haimoff	
D613,973	S	4/2010	Holcomb	
D643,165	S	8/2011	Song et al.	
D645,427	S *	9/2011	Delakowitz .....	D13/184
D651,829	S	1/2012	Ma	
D658,217	S *	4/2012	Wenning .....	D15/127
D663,134	S	7/2012	Wu	
D663,495	S	7/2012	Song et al.	
D666,034	S	8/2012	Gaska et al.	
D668,078	S	10/2012	Daino et al.	
D670,510	S *	11/2012	Daino .....	D6/668.2
D673,387	S	1/2013	Pazhoor	
D686,437	S	7/2013	Johnson et al.	
D711,169	S *	8/2014	Anderson .....	D6/671.1
D711,673	S	8/2014	Lim	
D734,069	S	7/2015	Zhao	
D734,070	S	7/2015	Zhao	
D734,071	S	7/2015	Zhao	
D734,072	S	7/2015	Zhao	

D734,073	S	7/2015	Zhao	
D743,358	S	11/2015	Cagliani et al.	
D760,518	S	7/2016	Shah et al.	
D765,445	S	9/2016	Persson	
9,630,036	B2 *	4/2017	Strum .....	A62C 2/242
D803,602	S	11/2017	Hightower et al.	
D807,084	S	1/2018	Waldner	
D807,085	S *	1/2018	Vandenharm .....	D6/671.1
D821,118	S *	6/2018	Chiao .....	D6/671
D830,740	S	10/2018	Shah et al.	
D837,539	S	1/2019	Nicoll et al.	
D837,542	S	1/2019	Nicoll et al.	
2002/0153814	A1	10/2002	Robideau	
2003/0127956	A1	7/2003	Stoever	
2013/0063003	A1	3/2013	Liu	
2016/0128471	A1	5/2016	Chang	

FOREIGN PATENT DOCUMENTS

CN	202784064	U	3/2013
CN	302846152	S	6/2014
CN	302846153	S	6/2014
CN	302846154	S	6/2014
CN	302869741	S	7/2014
CN	302892641	S	7/2014
CN	302892642	S	7/2014
CN	302892643	S	7/2014
CN	302892644	S	7/2014
CN	302892645	S	7/2014
CN	302892646	S	7/2014
CN	302892647	S	7/2014
CN	302892648	S	7/2014
CN	302921462	S	8/2014
CN	302921463	S	8/2014
CN	104493796	A	4/2015
CN	104493798	A	4/2015
CN	104552196	A	4/2015
CN	104626078	A	5/2015
CN	104626079	A	5/2015
CN	204354098	U	5/2015
CN	204354099	U	5/2015
CN	204354101	U	5/2015
CN	204354102	U	5/2015
CN	204354103	U	5/2015
CN	204698125	U	10/2015
CN	204700856	U	10/2015
CN	204700864	U	10/2015

OTHER PUBLICATIONS

Newage Products Inc., "Pro Series Garage Storage Cabinets" downloaded from <http://newageproducts.com/ca/cabinets-landing/pro-bold-series-landing/pro-series-product/> on May 26, 2016, 8 pages.  
 Newage Products Inc., "Bold Series Garage Cabinets for Storage" downloaded from <http://newageproducts.com/uk/bold-series-product/> on May 26, 2016, 13 pages.  
 Design U.S. Appl. No. 29/623,672, filed Oct. 26, 2017, 57 pages.  
 Design U.S. Appl. No. 29/623,670, filed Oct. 26, 2017, 57 pages.  
 Design U.S. Appl. No. 29/623,674, filed Oct. 26, 2017, 57 pages.  
 Design U.S. Appl. No. 29/623,677, filed Oct. 26, 2017, 57 pages.

\* cited by examiner

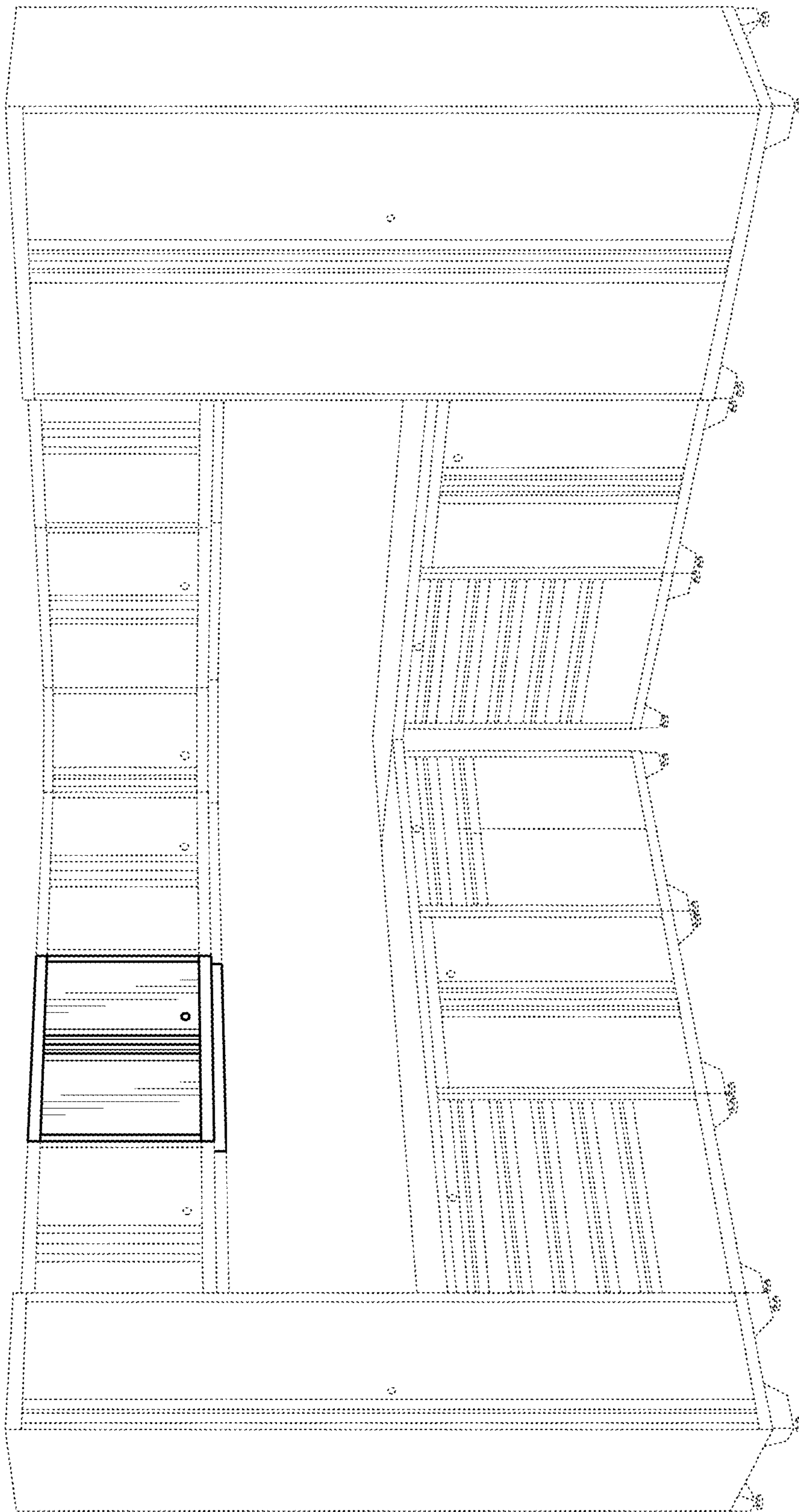
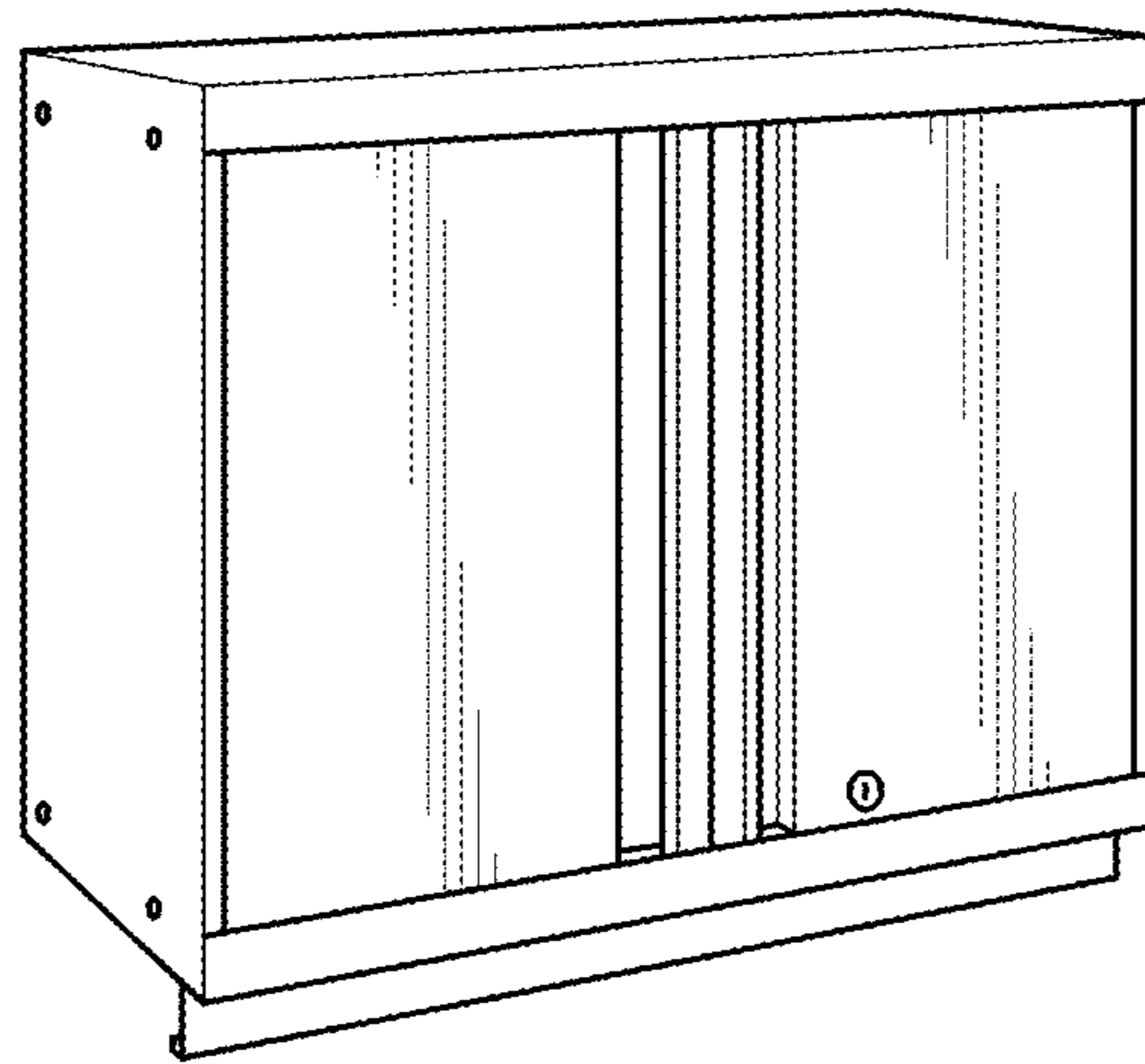
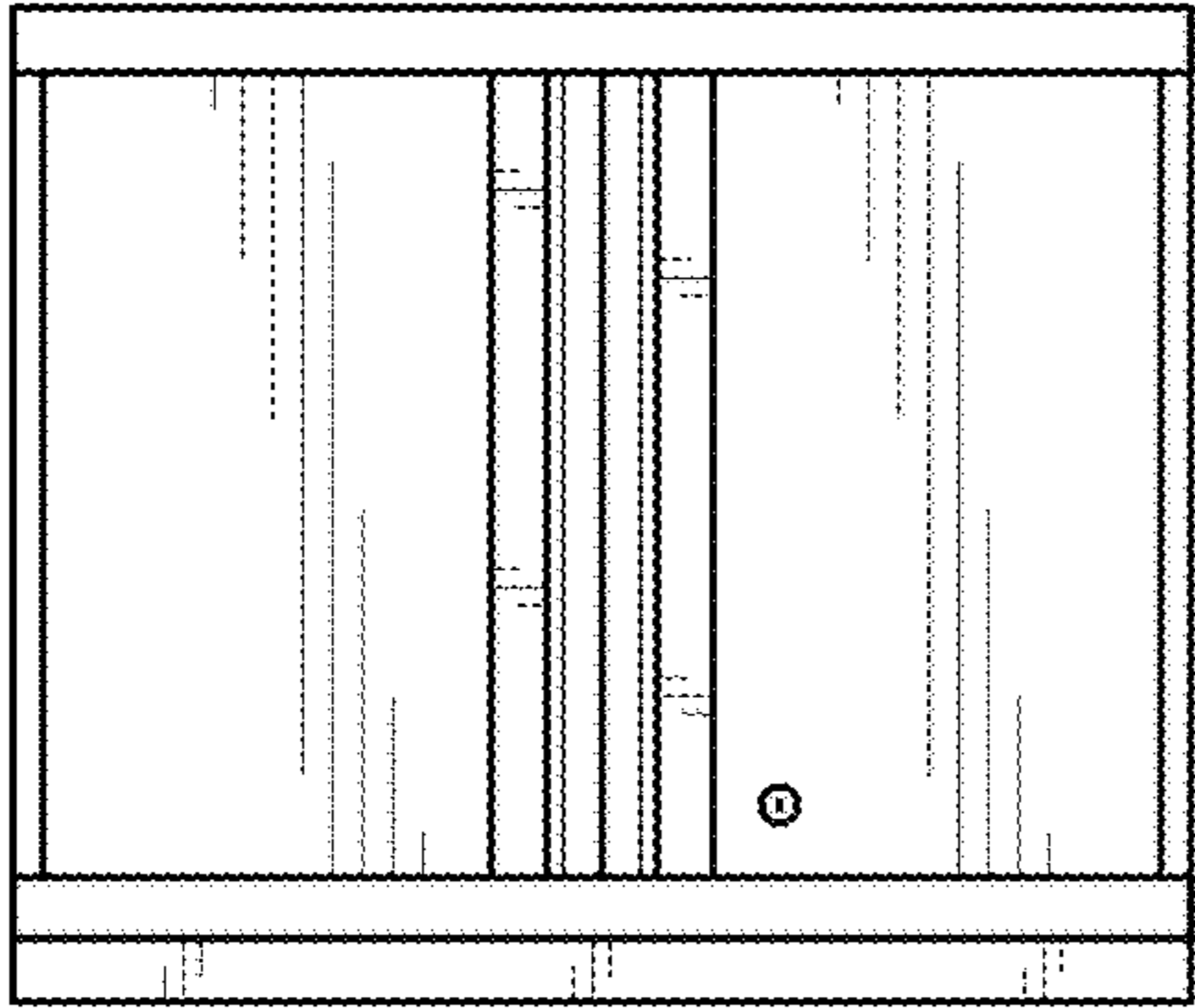


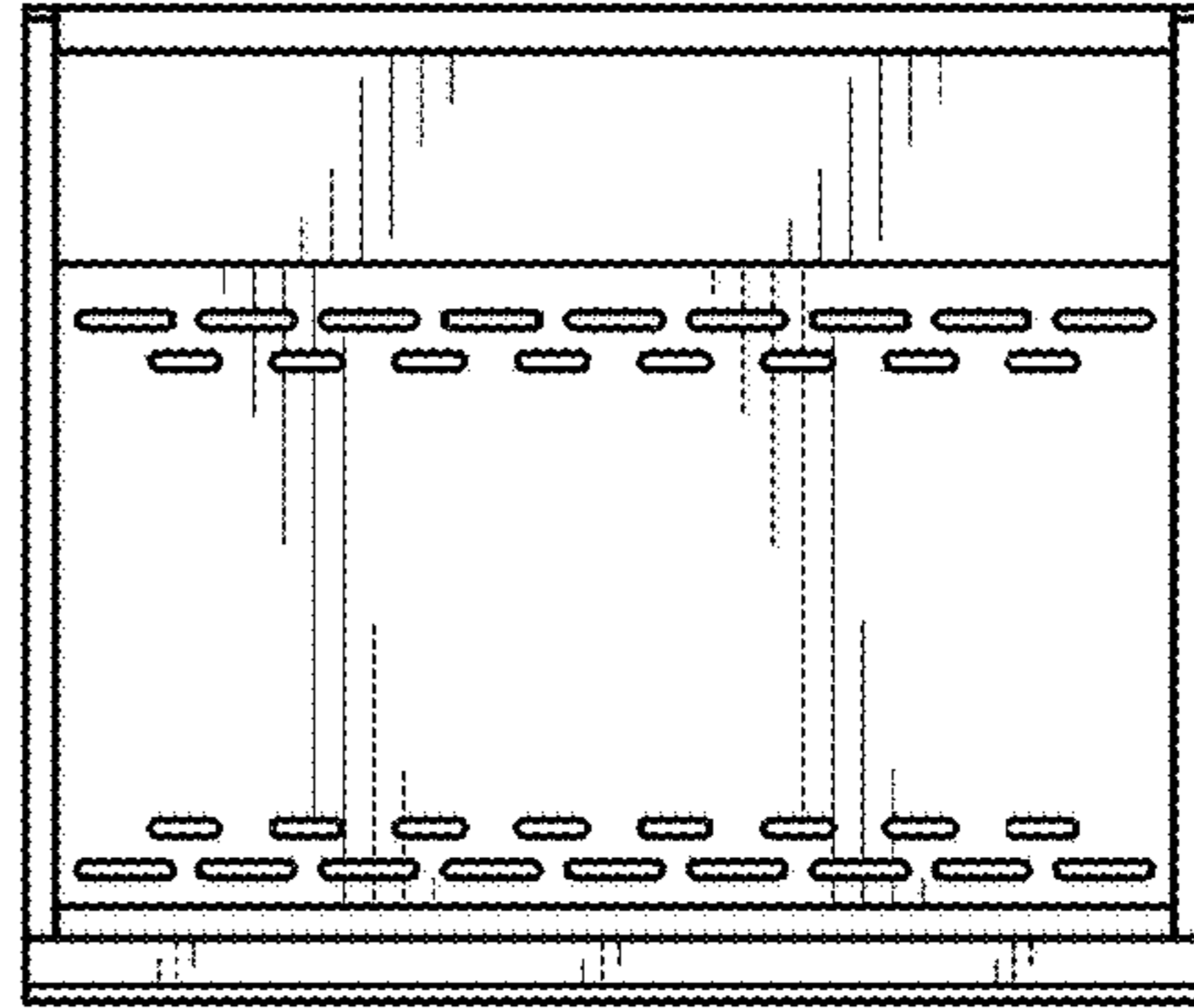
FIG. 1



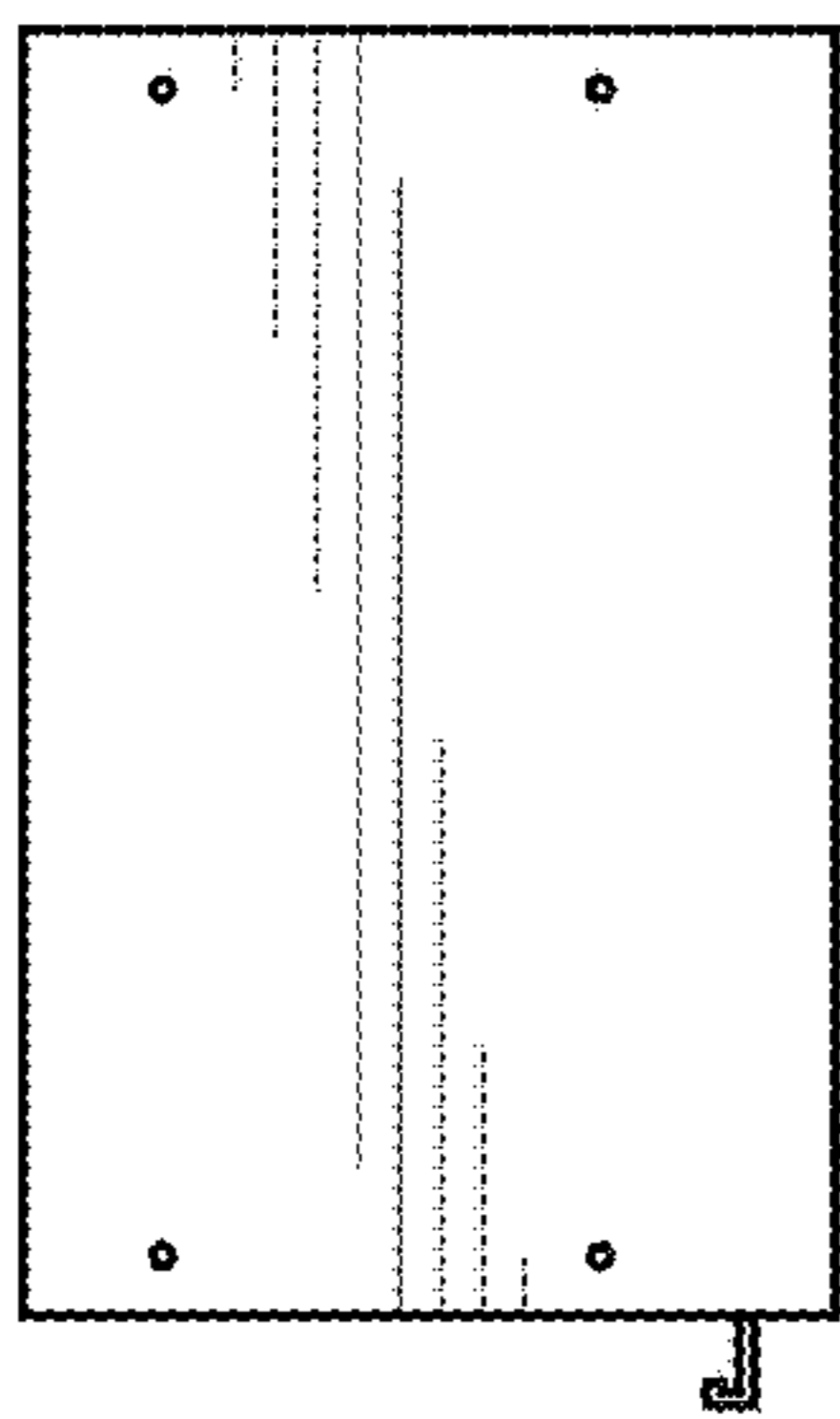
**FIG. 2**



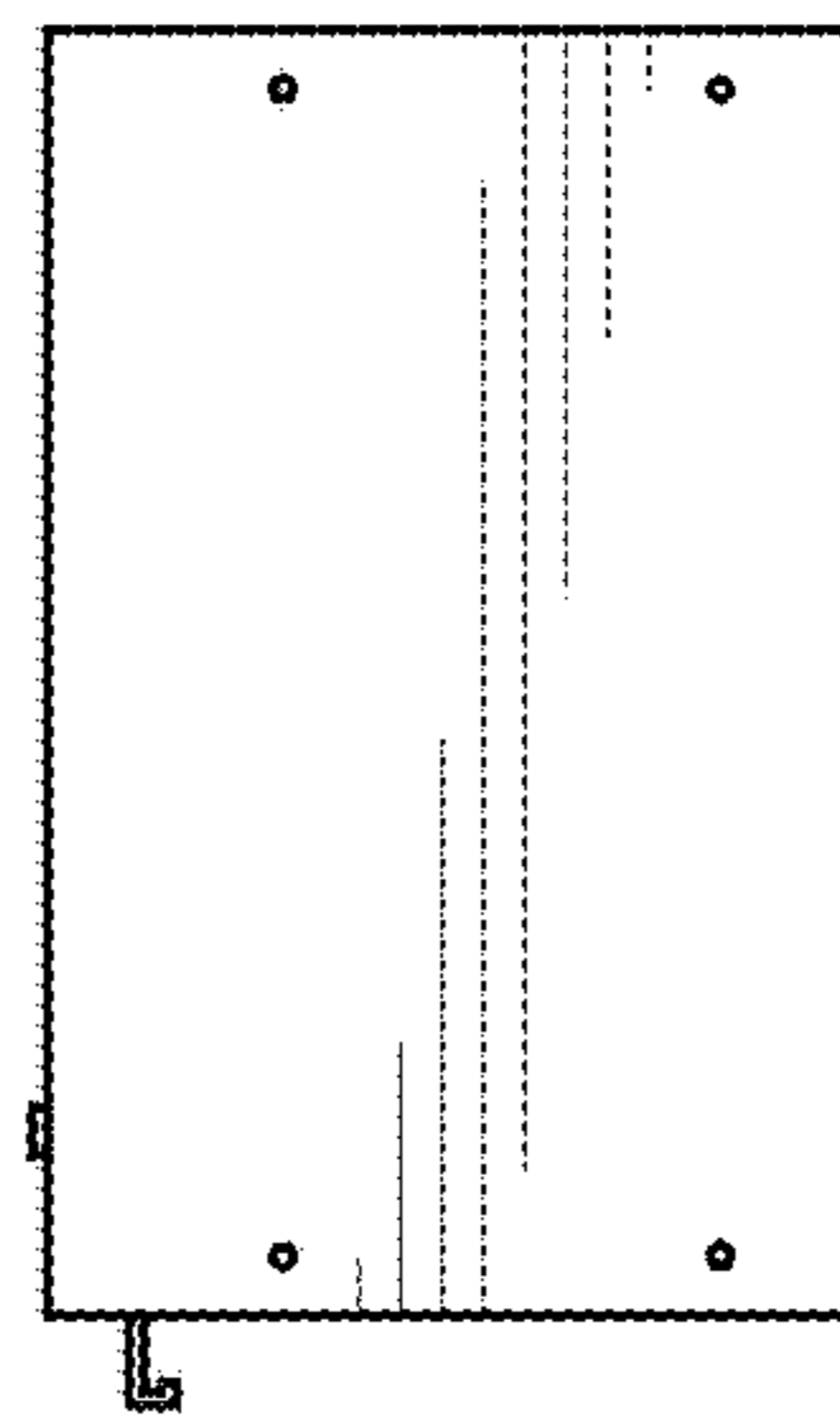
**FIG. 3**



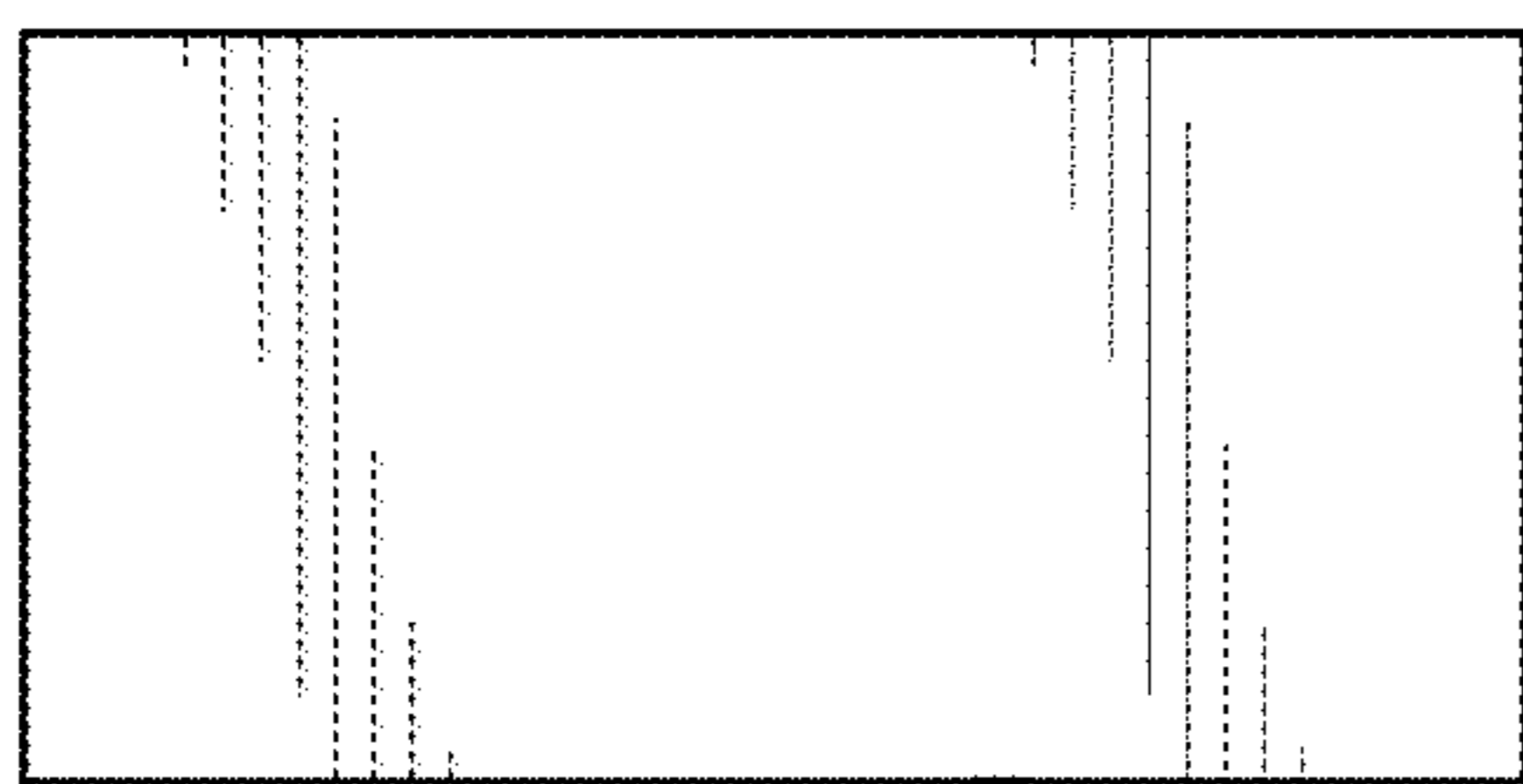
**FIG. 4**



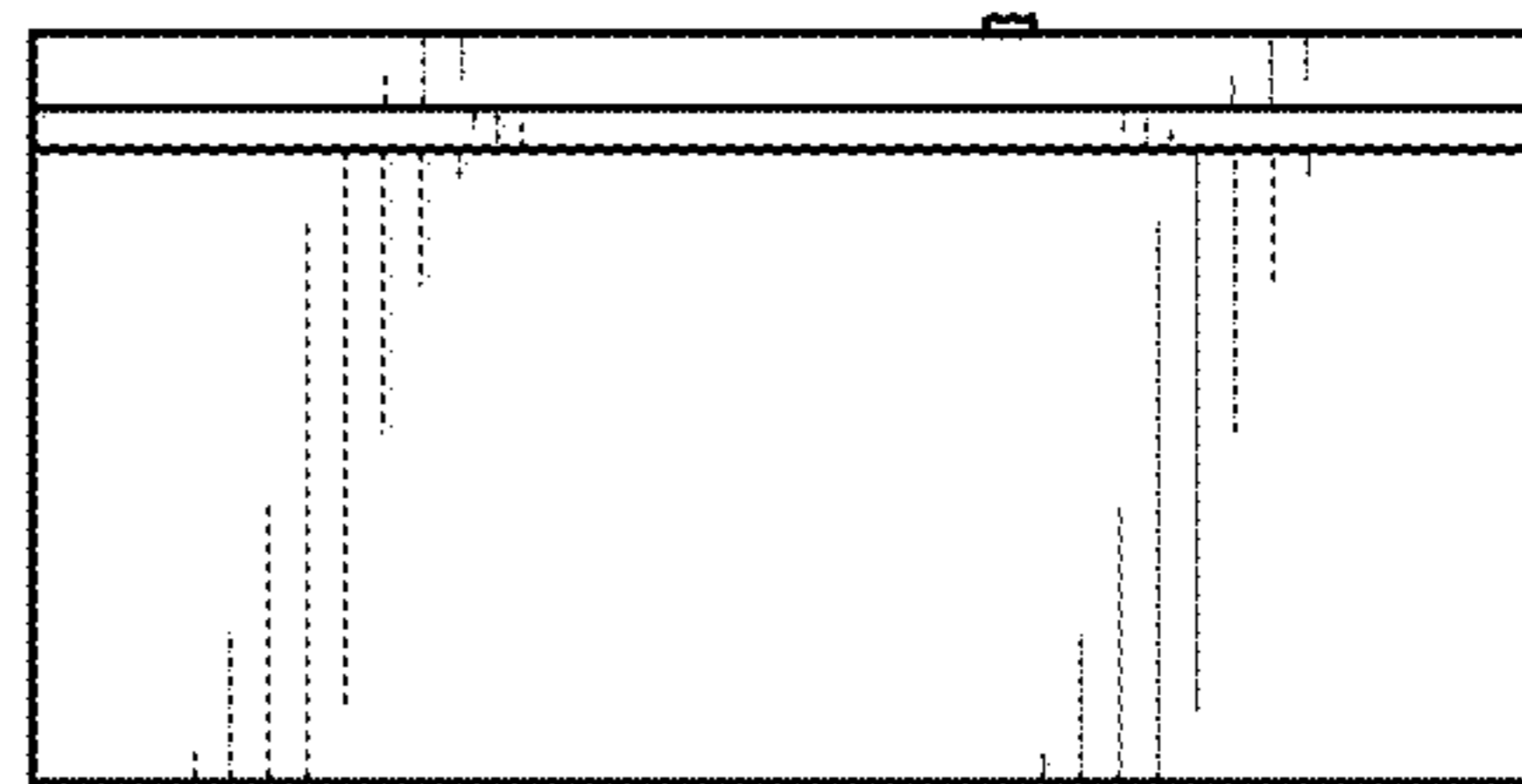
**FIG. 5**



**FIG. 6**



**FIG. 7**



**FIG. 8**