

US00D864621S

(12) **United States Design Patent**
Prontera et al.

(10) **Patent No.:** **US D864,621 S**
(45) **Date of Patent:** **** Oct. 29, 2019**

(54) **FURNITURE**

(71) Applicant: **APOTECA NATURA S.P.A.**,
Sansepolcro (IT)

(72) Inventors: **Elena Prontera**, Milan (IT); **Giovanni Castelli**, Milan (IT); **Massimo Fabbro**, Milan (IT)

(73) Assignee: **APOTECA NATURA S.P.A.**,
Sansepolcro (IT)

(**) Term: **15 Years**

(21) Appl. No.: **29/626,868**

(22) Filed: **Nov. 21, 2017**

(30) **Foreign Application Priority Data**

May 26, 2017 (EM) 004020485

(51) **LOC (12) Cl.** **06-04**

(52) **U.S. Cl.**

USPC **D6/662**

(58) **Field of Classification Search**

USPC D6/560, 642, 654.1, 657, 661, 662, 664,
D6/672, 673, 675, 675.1, 675.3, 699;
D34/20; D30/101

CPC B65D 5/545; B65D 5/26; B65D 5/0015;
B65D 5/0045; B65D 1/34; B65D 21/00;
B65D 81/3813; G09F 13/0413; A47F
5/103; A47F 5/105; A47F 7/146; A47F
2003/046; A47B 81/061

See application file for complete search history.

(56) **References Cited**

U.S. PATENT DOCUMENTS

D252,722 S * 8/1979 Hero D6/662.1
D314,090 S * 1/1991 Stephens D6/657

D358,277 S * 5/1995 Frost, Jr. D6/661
D595,067 S * 6/2009 Weigand D6/675.2
D682,584 S * 5/2013 Hansen, Jr. D6/675.1
D691,838 S * 10/2013 Hinkle A47F 11/10
D6/675.1
D693,156 S * 11/2013 Hamm D6/672
D728,283 S * 5/2015 Weshler D6/675.1
D734,068 S * 7/2015 Dworman D6/662.1
D757,465 S * 5/2016 Woelfel D6/672
D806,447 S * 1/2018 Burton D6/657
D821,116 S * 6/2018 Hamm D6/657
D821,117 S * 6/2018 Gorman D6/661

* cited by examiner

Primary Examiner — Kevin K Rudzinski

Assistant Examiner — Paul D Bohannon

(74) *Attorney, Agent, or Firm* — Scully, Scott, Murphy & Presser, P.C.

(57) **CLAIM**

The ornamental design for a furniture, as shown and described.

DESCRIPTION

FIG. 1 is a perspective view of a furniture showing our new design;

FIG. 2 is a front view;

FIG. 3 is a rear view;

FIG. 4 is a left side view;

FIG. 5 is a right side view;

FIG. 6 is a top view;

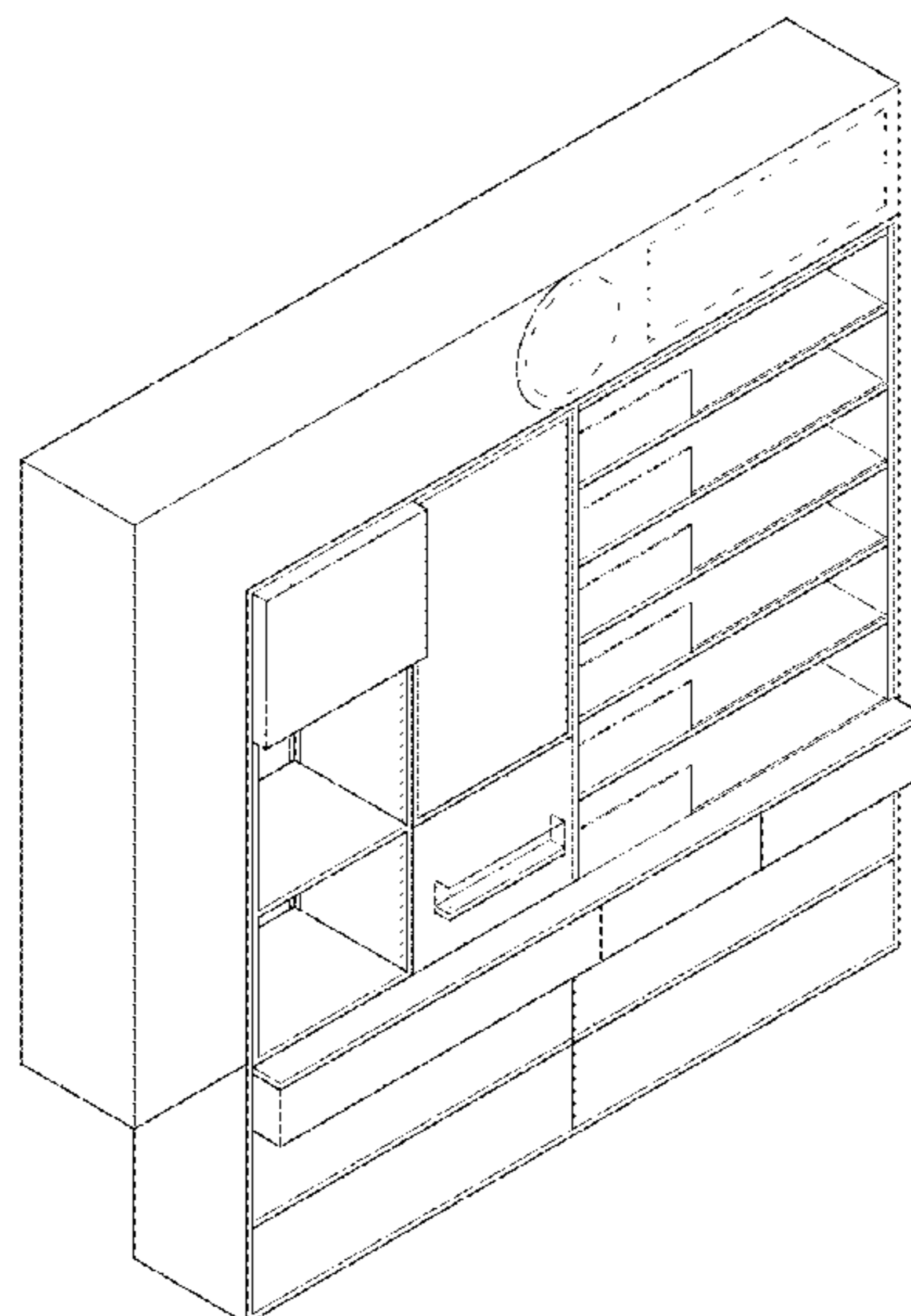
FIG. 7 is a bottom view;

FIG. 8 is a further perspective view; and,

FIG. 9 is a further perspective view.

The broken lines shown in the drawings are for the purpose of illustrating portions of the furniture and form no part of the claimed design.

1 Claim, 9 Drawing Sheets



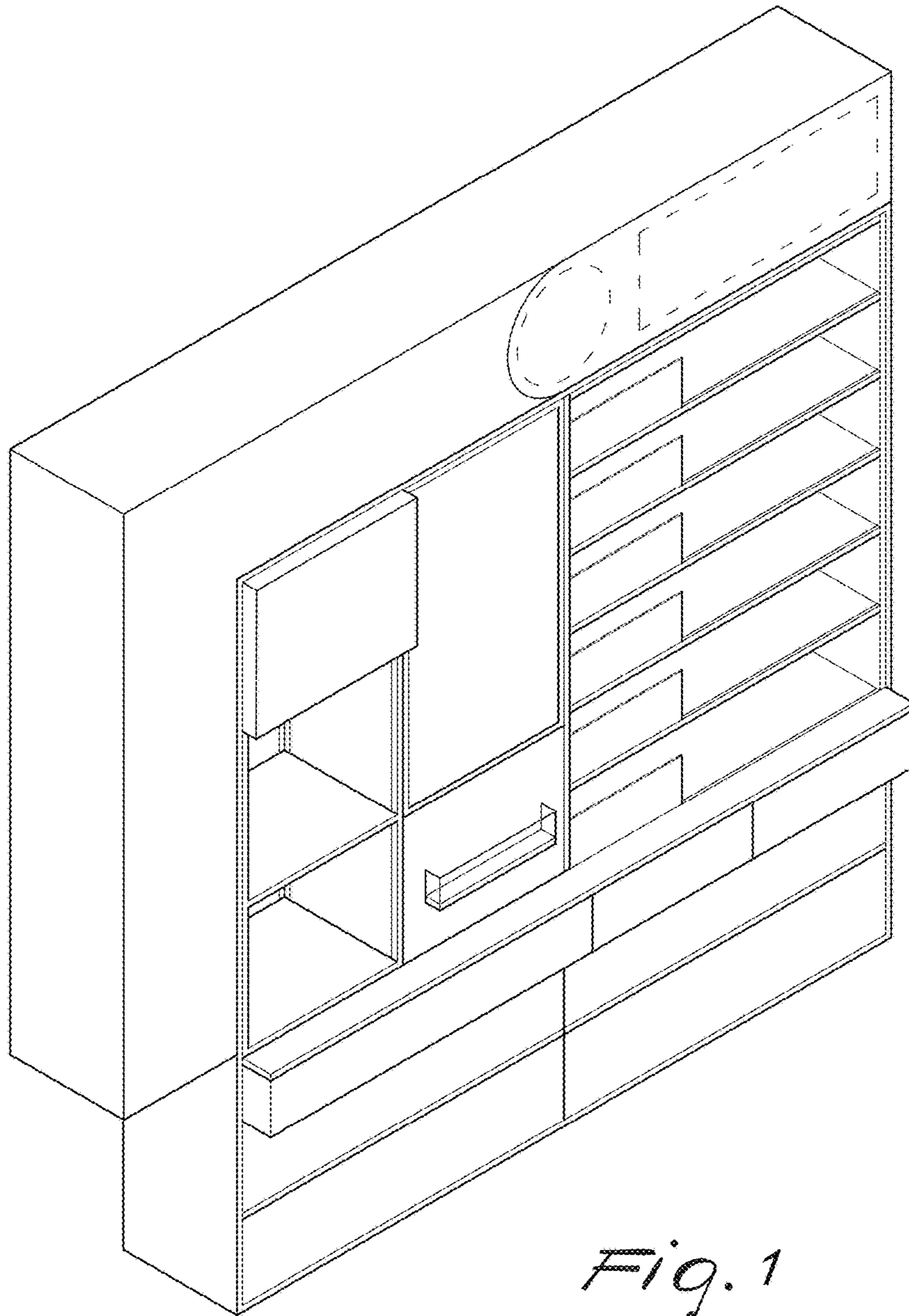


Fig. 1

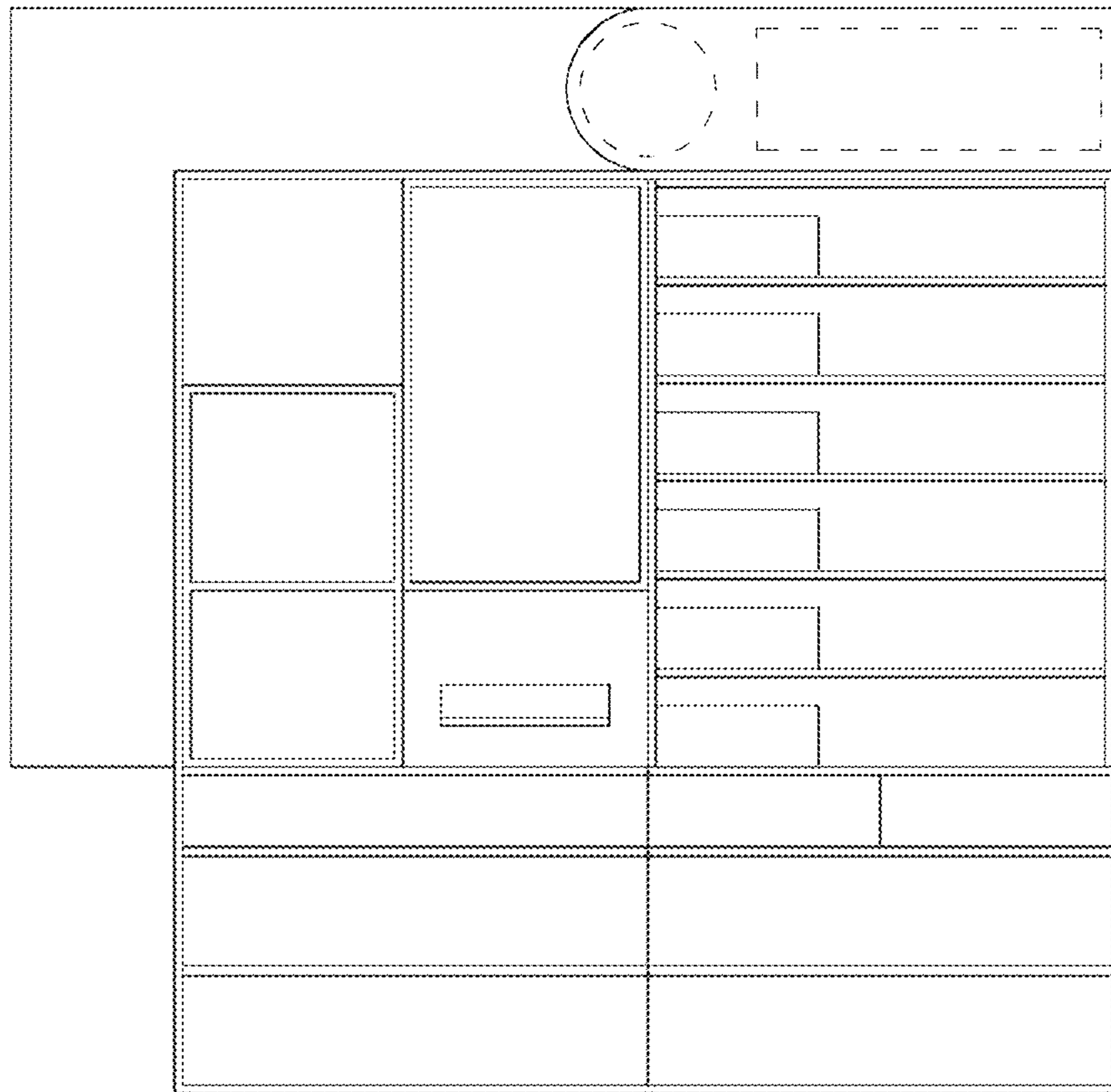


Fig. 2

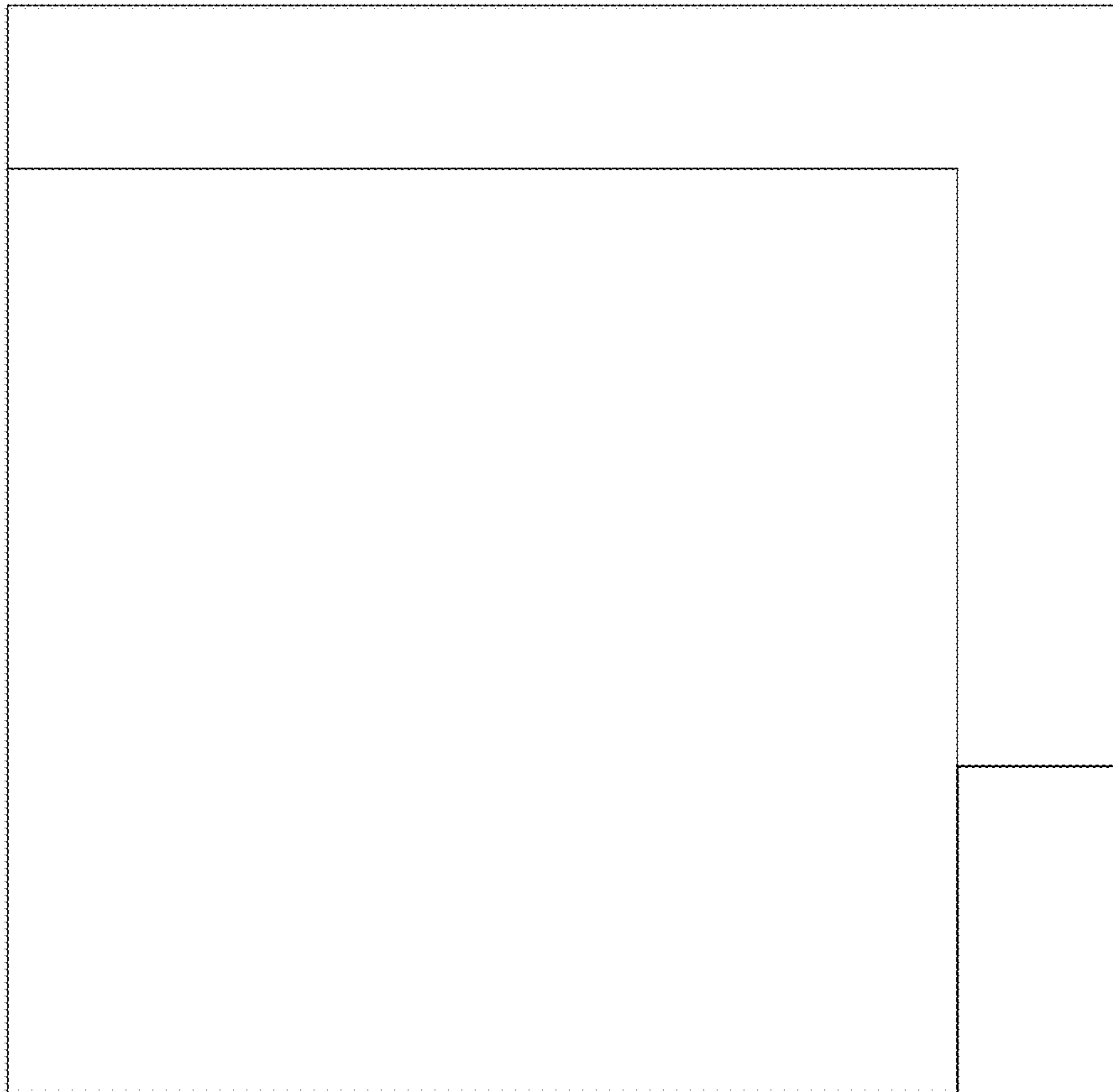


Fig. 3

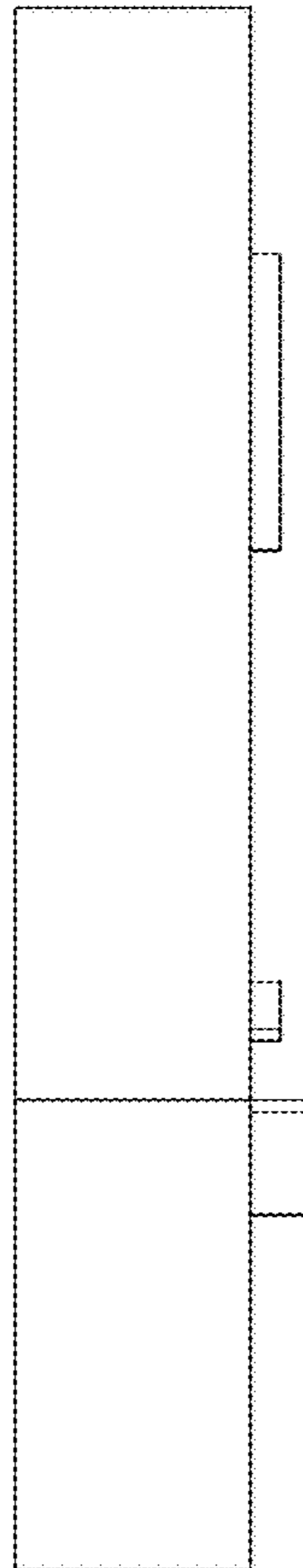


Fig. 4

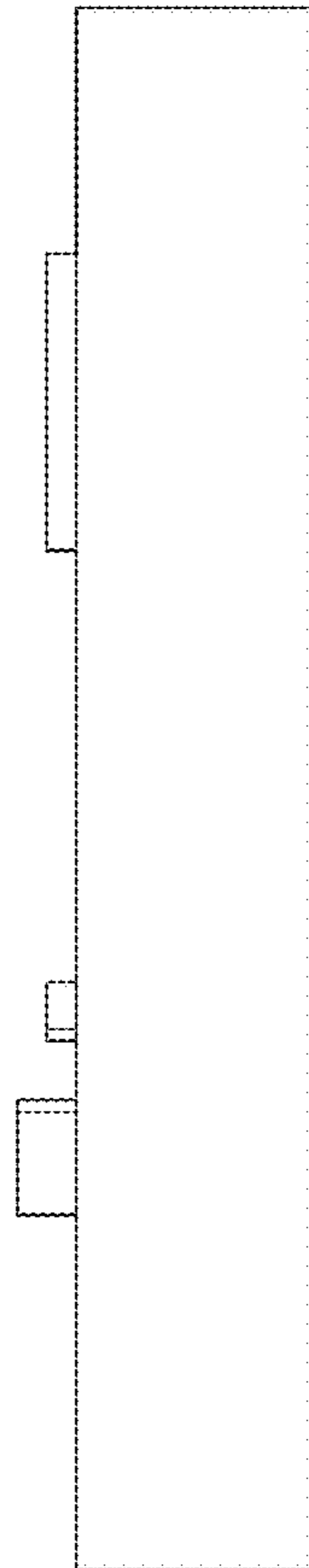


Fig. 5

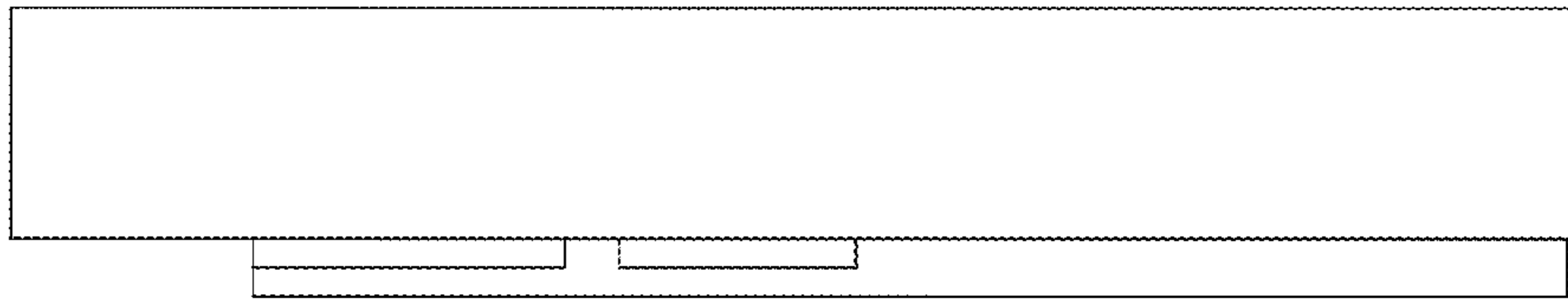


Fig. 6

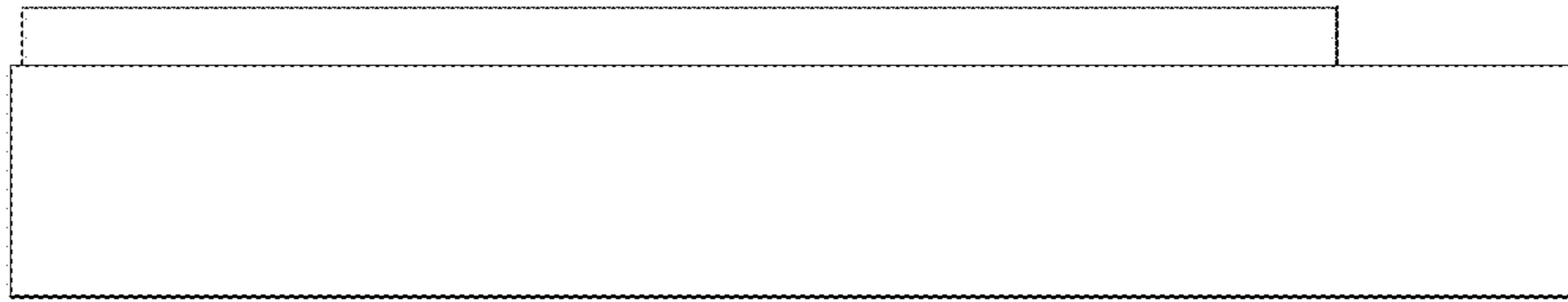


Fig. 7

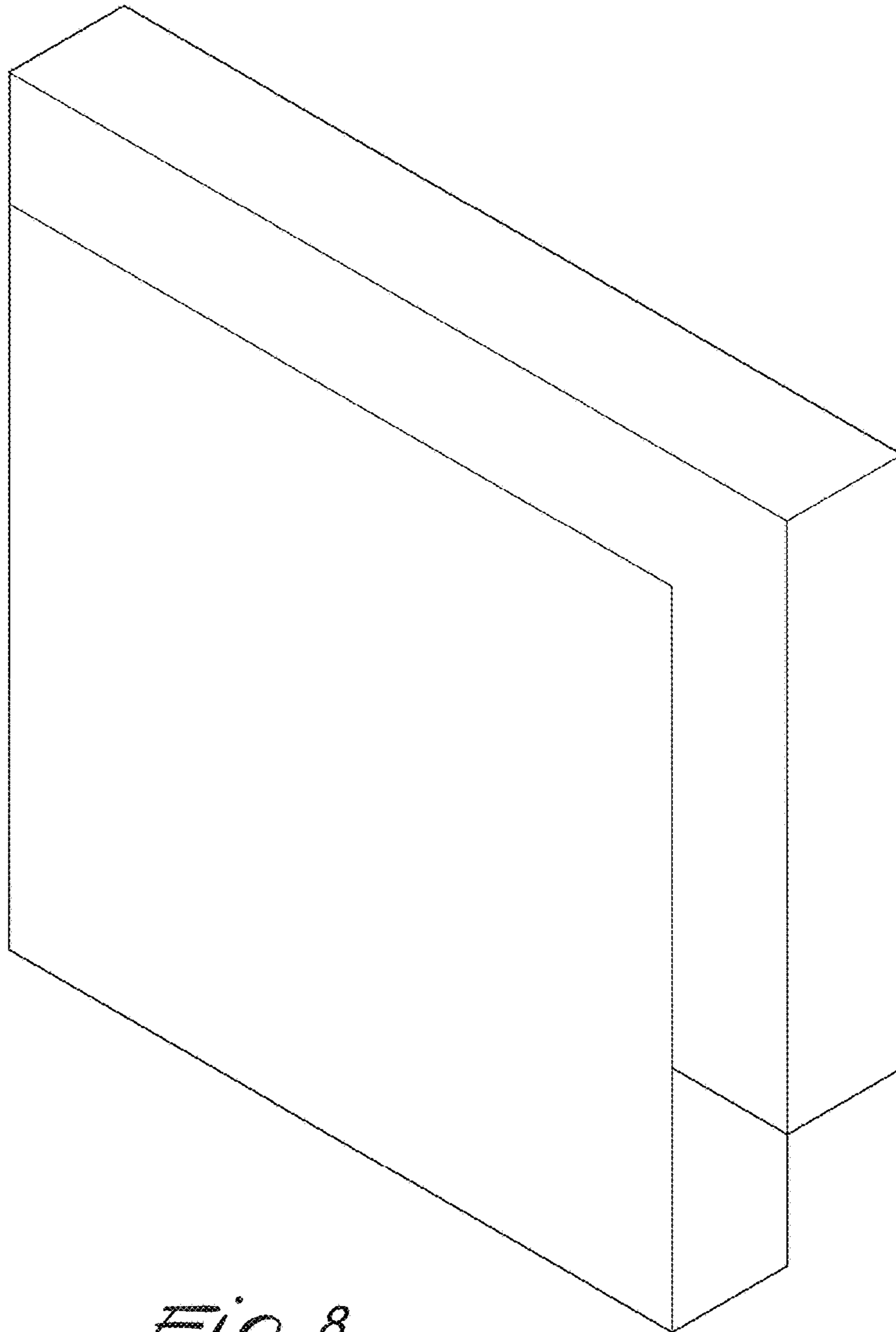


Fig. 8

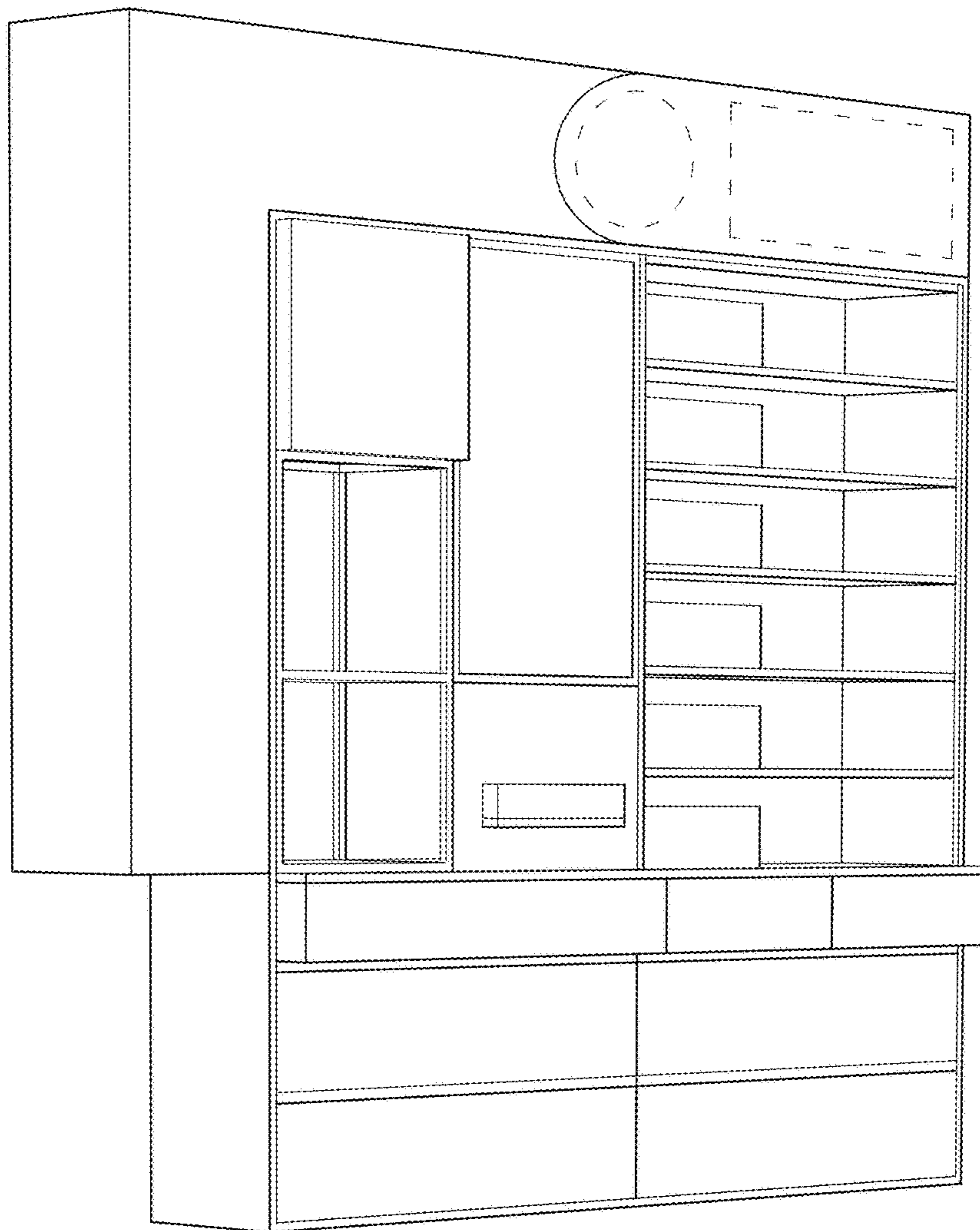


Fig. 9