



US00D864620S

(12) **United States Design Patent** (10) **Patent No.:** **US D864,620 S**
Woods et al. (45) **Date of Patent:** **** Oct. 29, 2019**

(54) **CONFERENCE CENTER** 3,635,432 A * 1/1972 Hollander A47B 5/06
248/188.6
(71) Applicant: **Kimball International, Inc.**, Jasper, IN (US) D289,471 S 4/1987 Sottsass et al.
D289,472 S 4/1987 Sottsass et al.
D341,957 S 12/1993 Belton
(72) Inventors: **Donald Woods**, Celestine, IN (US); **Jill S. Jones**, Washington, IN (US) D366,782 S 2/1996 Bonazza
D434,578 S 12/2000 Goza
(Continued)

(73) Assignee: **Kimball International, Inc.**, Jasper, IN (US)

(**) Term: **15 Years**

(21) Appl. No.: **29/584,671**

(22) Filed: **Nov. 16, 2016**

Related U.S. Application Data

(62) Division of application No. 29/526,719, filed on May 13, 2015, now Pat. No. Des. 792,131.

(51) **LOC (12) Cl.** **06-03**

(52) **U.S. Cl.**
USPC **D6/656.15**

(58) **Field of Classification Search**
USPC D6/641, 642, 643, 643.1, 565, 656.15,
D6/686, 702, 708

CPC .. A47B 7/00; A47B 9/00; A47B 13/00; A47B
13/003; A47B 21/00; A47B 88/00; A47B
2200/006; A47B 5/00; A47B 5/06; A47B
46/005; A47B 87/002; A47B 83/00; A47B
83/001; A47B 2083/005

See application file for complete search history.

(56) **References Cited**

U.S. PATENT DOCUMENTS

D157,781 S 3/1950 Pahlmann
D164,425 S 9/1951 Jones
D172,995 S 9/1954 Silverman
D192,567 S 4/1962 Nemlich et al.
D194,850 S 3/1963 McCord
D203,170 S 12/1965 Beckman et al.

OTHER PUBLICATIONS

Steelcase—Media Scape: <http://www.steelcase.com/en/products/category/tables/conference/mediascape/pages/overview.aspx>, accessed as early as May 13, 2015.

(Continued)

Primary Examiner — Mary Ann Calabrese

(74) *Attorney, Agent, or Firm* — Faegre Baker Daniels LLP

(57) **CLAIM**

The ornamental design for a conference center, as shown and described.

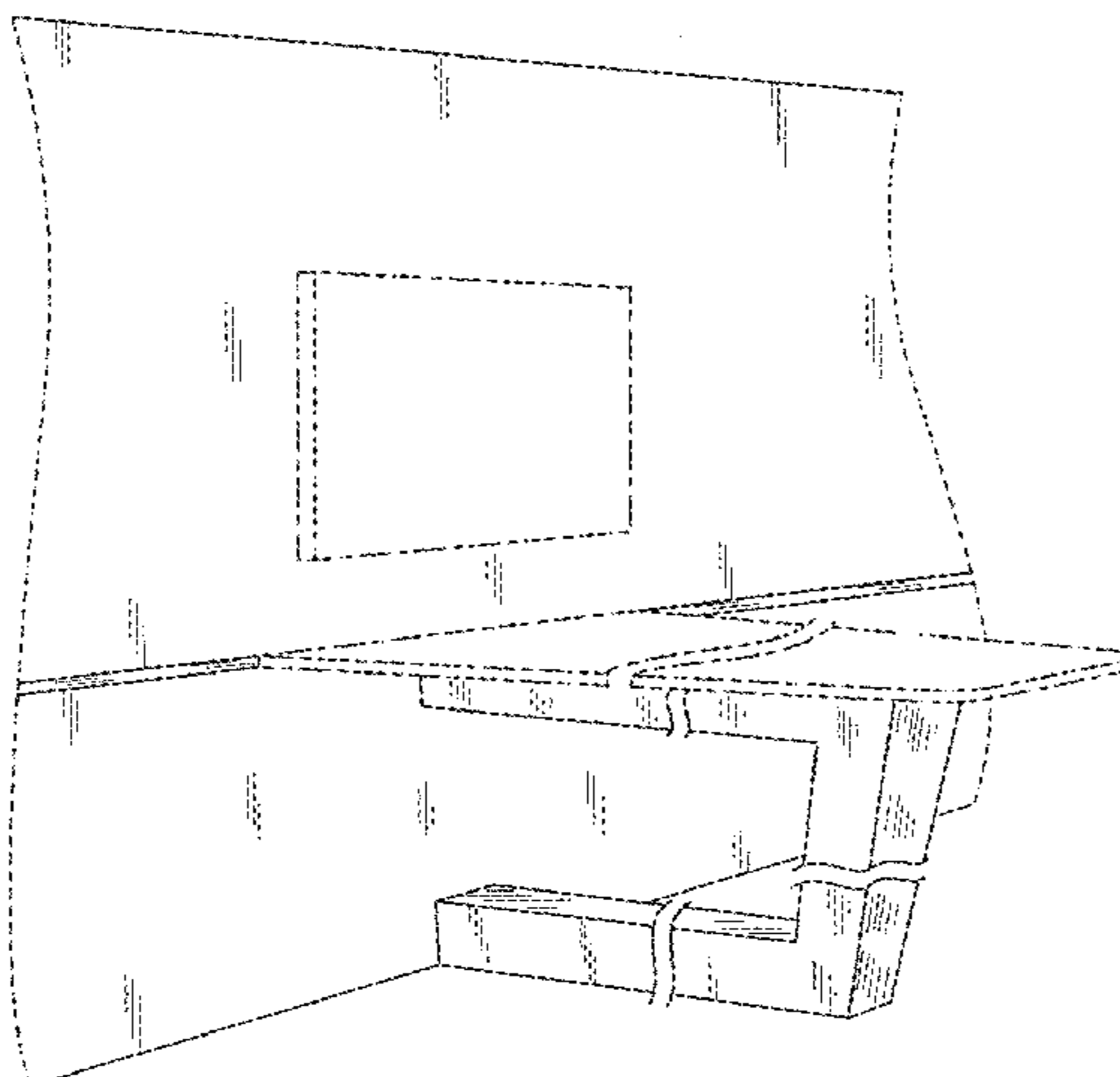
DESCRIPTION

FIG. 1 is a front perspective of a conference center according to a first embodiment of my new design;
FIG. 2 is a front view thereof;
FIG. 3 is a right side view thereof; and
FIG. 4 is a left side view thereof.
FIG. 5 is a front perspective of a conference center according to a second embodiment of my new design;
FIG. 6 is a front view thereof;
FIG. 7 is a right side view thereof; and,
FIG. 8 is a left side view thereof.

The conference center is shown with a symbolic break in its length and width. The appearance of any portion of the article between the break lines forms no part of the claimed design.

Features shown in dashed lines form no part of the claimed designs.

1 Claim, 4 Drawing Sheets



(56)

References Cited

U.S. PATENT DOCUMENTS

6,196,648 B1 *	3/2001	Henriott	A47B 21/06 108/103
D549,992 S	9/2007	Barnard et al.	
D550,478 S	9/2007	Glass, III et al.	
D567,237 S	4/2008	Kim	
D583,781 S	12/2008	Derocher et al.	
D599,855 S	9/2009	Soodeen et al.	
D615,054 S	5/2010	Mellingen et al.	
D623,621 S	9/2010	Roed et al.	
D624,514 S	9/2010	Roed et al.	
D647,723 S	11/2011	Ruggiero	
D655,537 S	3/2012	Ruiter et al.	
D677,496 S	3/2013	Agati et al.	
D716,595 S	11/2014	Muller	
D725,638 S	3/2015	Hofman et al.	
D730,086 S	5/2015	Kitada	
D743,188 S	11/2015	Denby et al.	
D743,716 S	11/2015	Dillon et al.	
D750,405 S	3/2016	Muller	
D784,730 S *	4/2017	Kruger	D6/574
D792,131 S *	7/2017	Woods	E04F 19/08 D6/656.15
9,879,435 B2 *	1/2018	Kruger	E04F 19/08
D822,415 S *	7/2018	Hendifar	A47B 5/06 D6/693
D839,033 S *	1/2019	Woods	D6/708
2013/0092061 A1 *	4/2013	Gevaert	A47B 87/002 108/64
2013/0180202 A1 *	7/2013	Woods	A47B 5/00 52/710

OTHER PUBLICATIONS

OFS—Slate: http://www.ofs.com/products/tables_technology_reception/slate/, accessed as early as May 13, 2015.

Herman Miller—Canvas: <http://www.hermanmiller.com/products/workspaces/individual-workstations/canvas-office-landscape.html>, accessed as early as May 13, 2015.

Teknion—Club Talk: http://www.teknion.com/products/tables_clubtalk/default.asp?country=us§ion=tables&subSection=clubtalk&product=clubtalk, accessed as early as May 13, 2015.

Nienkamper—Gateway: <http://www.nienkamper.com/products.aspx?id=249>, accessed as early as May 13, 2015.

Haworth—Workware: <http://haworth.com/home/technology/workware->, accessed as early as May 13, 2015.

Agati furniture—Media Center: <http://www.agati.com/media-centers/>, accessed as early as May 13, 2015.

AVTEQ—TeamSpace: <http://avteq.net/shop/category/team-space-products/>, accessed as early as May 13, 2015.

Krueger International Backbone Media Platform, KI.com, <http://www.ki.com/products/name/backbone-media-platform/>, accessed as early as May 13, 2015.

“Concurrence Conference Environments”, enwork.com [online]. Feb. 2016 [retrieved Sep. 23, 2016]. Retrieved from the Internet: <URL: <http://enwork.com/wp-content/uploads/2016/02/Enwork-Tables-Brochure-Concurrence-Section-02.2016.pdf?72f4f3>>.

“Silent Wall”, apresfurniture.com [online]. Undated [retrieved Sep. 23, 2016]. Retrieved from the Internet: <URL:<http://www.apresfurniture.co.uk/vitra-silent-sall-system>>.

* cited by examiner

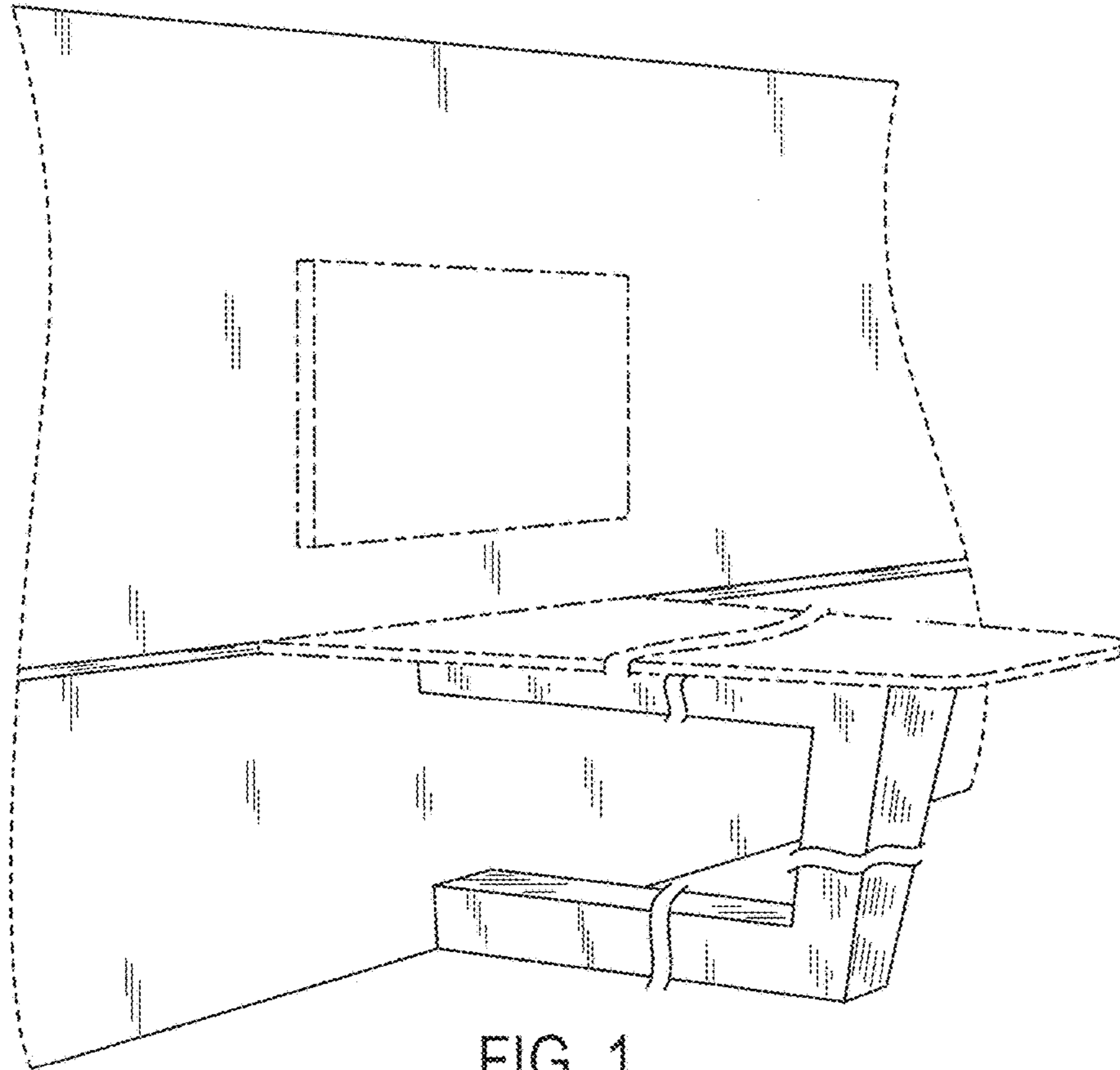


FIG. 1

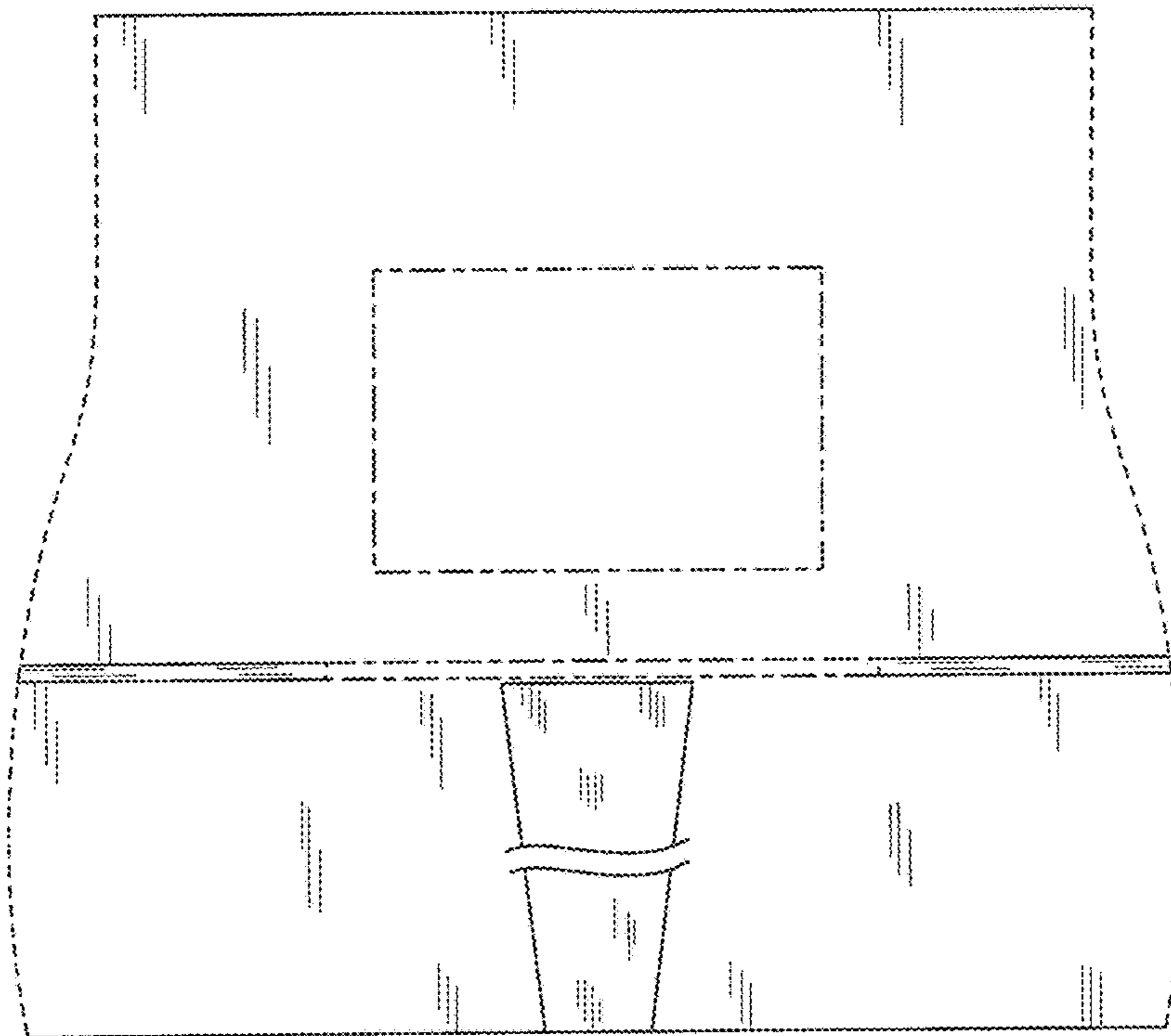


FIG. 2

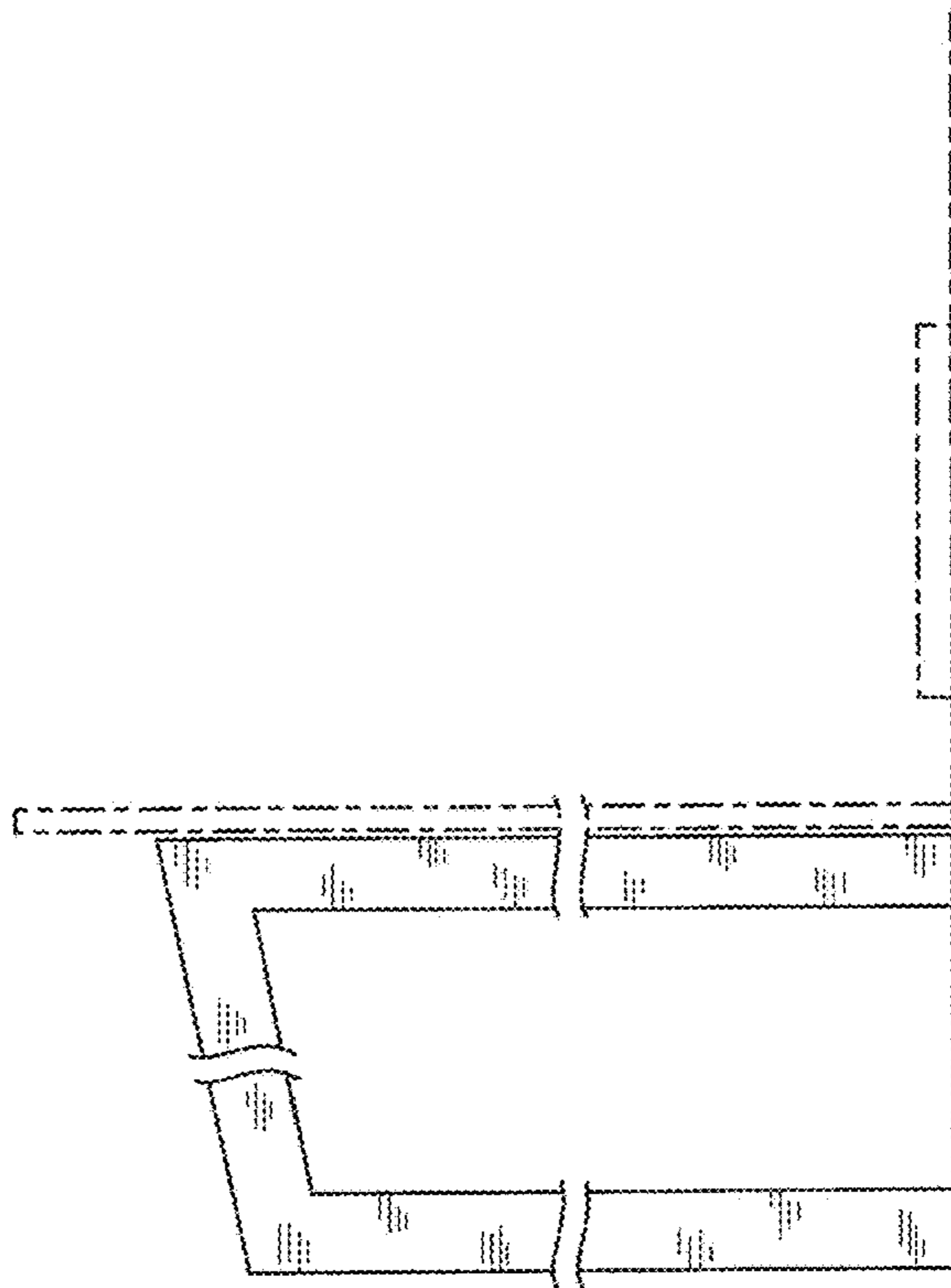


FIG. 3

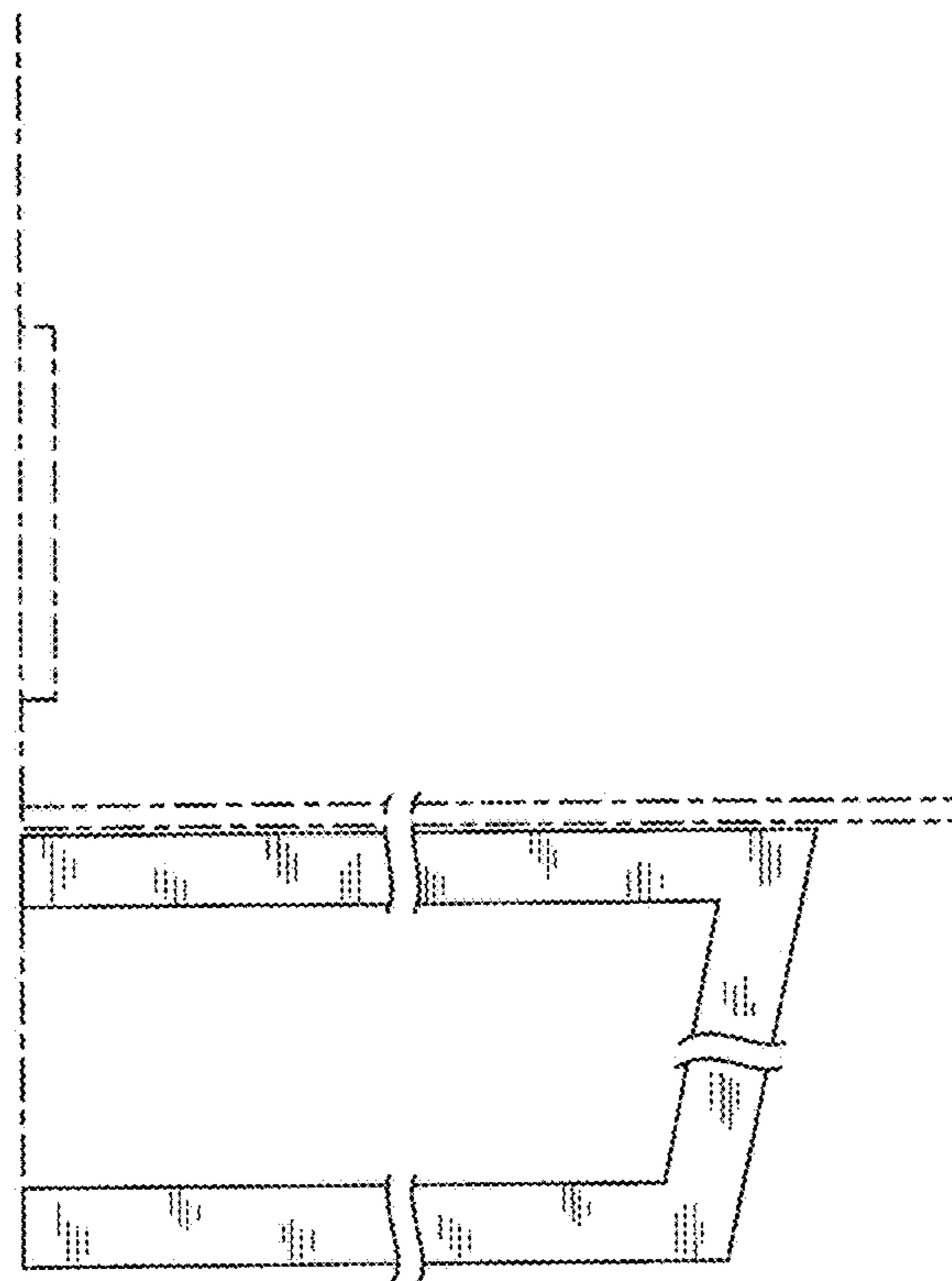
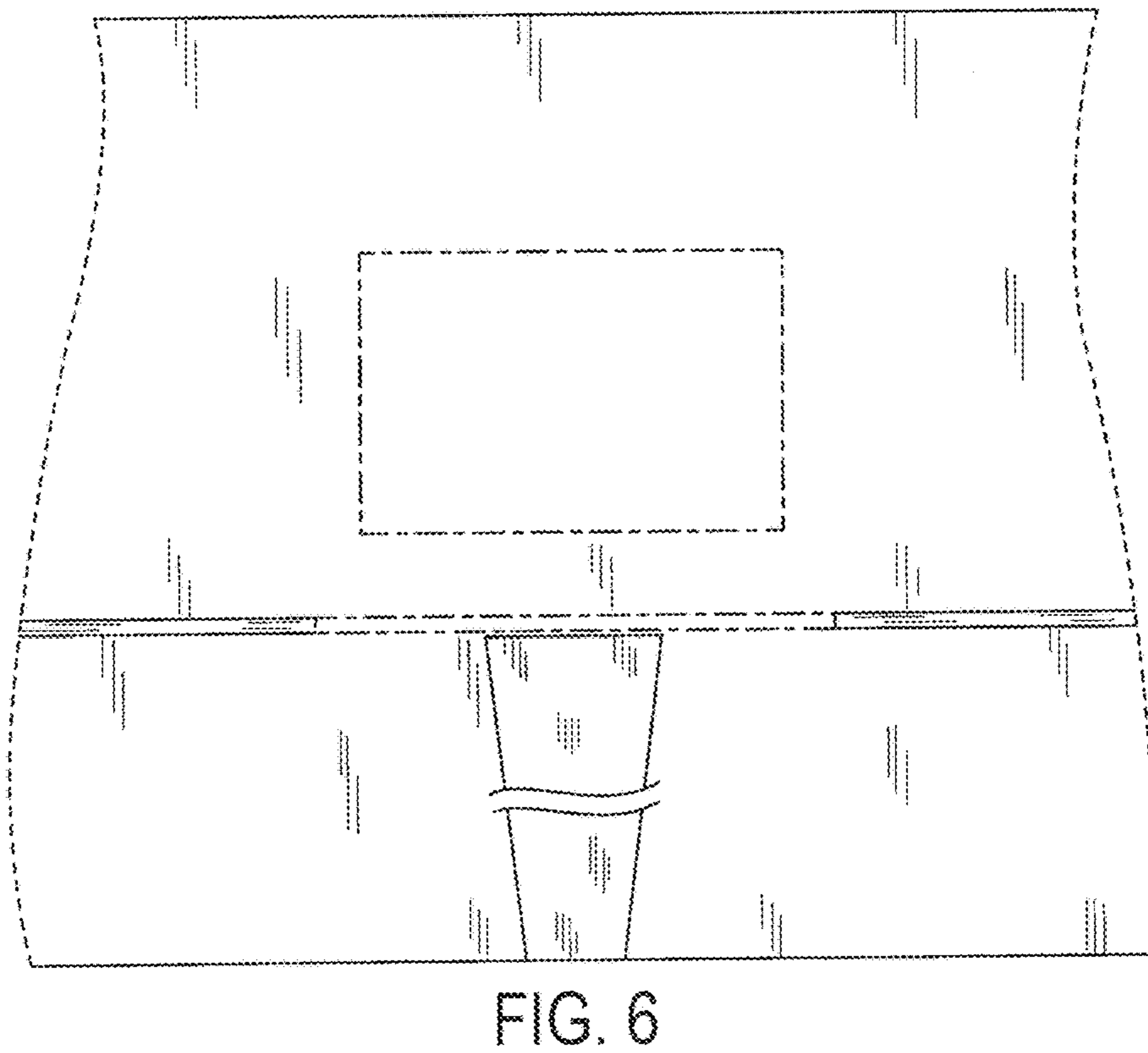
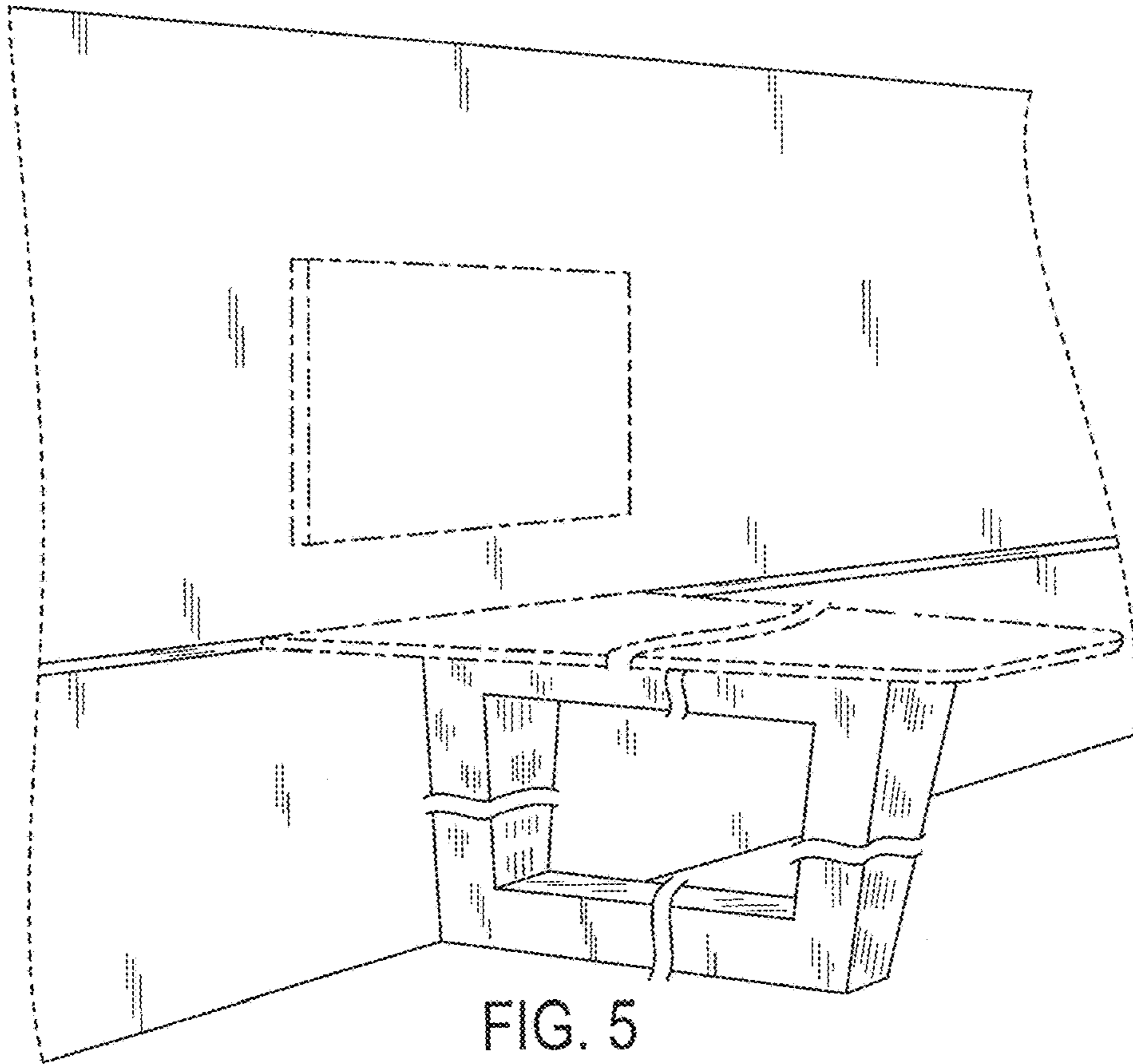


FIG. 4



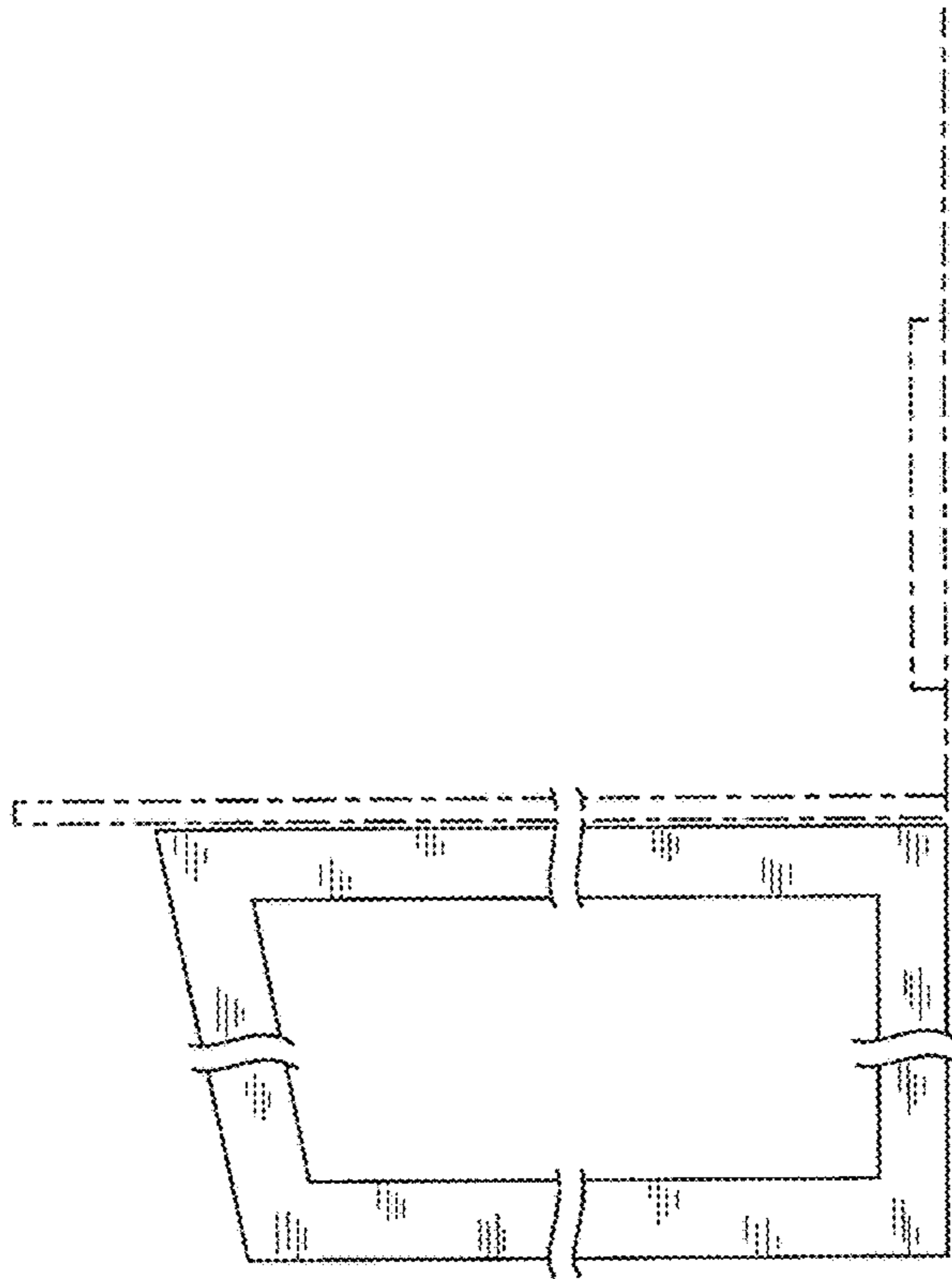


FIG. 7

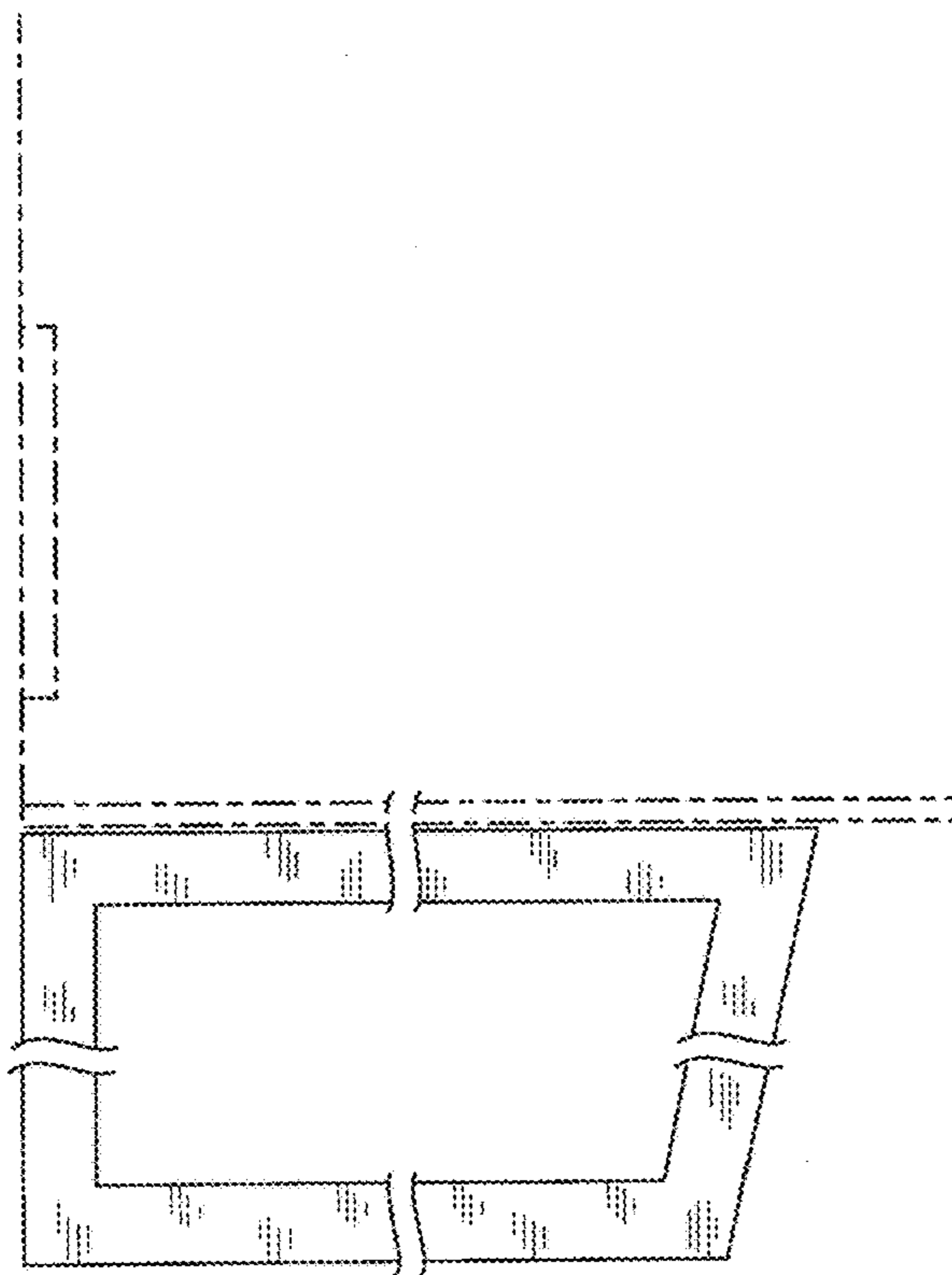


FIG. 8