



US00D864619S

(12) **United States Design Patent** (10) **Patent No.:** **US D864,619 S**
Hu (45) **Date of Patent:** **** *Oct. 29, 2019**

(54) **HEIGHT ADJUSTABLE DESK WITH
CROSSED ARMS**

8,104,725 B1 * 1/2012 Kebre A01K 1/0107
248/164

(71) Applicant: **Yajun Hu**, El Dorado Hills, CA (US)

8,118,375 B2 2/2012 Berthiaume et al.

9,572,422 B2 2/2017 Ergun et al.

9,591,919 B2 3/2017 Ergun et al.

9,615,655 B1 * 4/2017 Huang A47B 9/16

(72) Inventor: **Yajun Hu**, El Dorado Hills, CA (US)

(Continued)

(73) Assignees: **Yajun Hu**, El Dorado Hills, CA (US);
EUREKA LLC, El Dorado Hills, CA
(US)

OTHER PUBLICATIONS

FlexiSpot M2B, posted at Amazon.com, posted on Jun. 29, 2016,
site visited Aug. 2, 2018. online, available from internet: <https://www.amazon.com/FlexiSpot-M2B-Standing-Desk-Adjustable/dp/B01HPE05BM>.*

(Continued)

(*) Notice: This patent is subject to a terminal disclaimer.

(**) Term: **15 Years**

Primary Examiner — Mary Ann Calabrese

Assistant Examiner — Catherine Ho

(21) Appl. No.: **29/609,788**

(22) Filed: **Jul. 5, 2017**

(57) **CLAIM**

The ornamental design for a height adjustable desk with
crossed arms, as shown and described.

(51) **LOC (12) Cl.** **06-03**

(52) **U.S. Cl.**
USPC **D6/655**

DESCRIPTION

(58) **Field of Classification Search**

USPC D6/641, 648, 648.2, 665, 655.1,
D6/655.11–655.16, 655.21, 656, 702,
D6/707.15, 707.19

CPC A47B 1/00; A47B 7/00; A47B 9/00; A47B
9/10; A47B 9/16; A47B 2009/006; A47B
11/00; A47B 13/00; A47B 13/081; A47B
21/0073; A47B 21/02; A47B 21/03; A47B
2200/005; A47B 2200/0064

See application file for complete search history.

FIG. 1 is a perspective view of height adjustable desk with
crossed arms in an extended position, showing my new
design;

FIG. 2 is a front view thereof;

FIG. 3 is a bottom view thereof;

FIG. 4 is a top view thereof;

FIG. 5 is a rear side view thereof;

FIG. 6 is a left side view thereof;

FIG. 7 is a right side view thereof;

FIG. 8 is a perspective view of the height adjustable desk
with crossed arms in a collapsed position;

FIG. 9 is a front view thereof;

FIG. 10 is a bottom view thereof;

FIG. 11 is a top view thereof;

FIG. 12 is a rear side view thereof;

FIG. 13 is a left side view thereof; and,

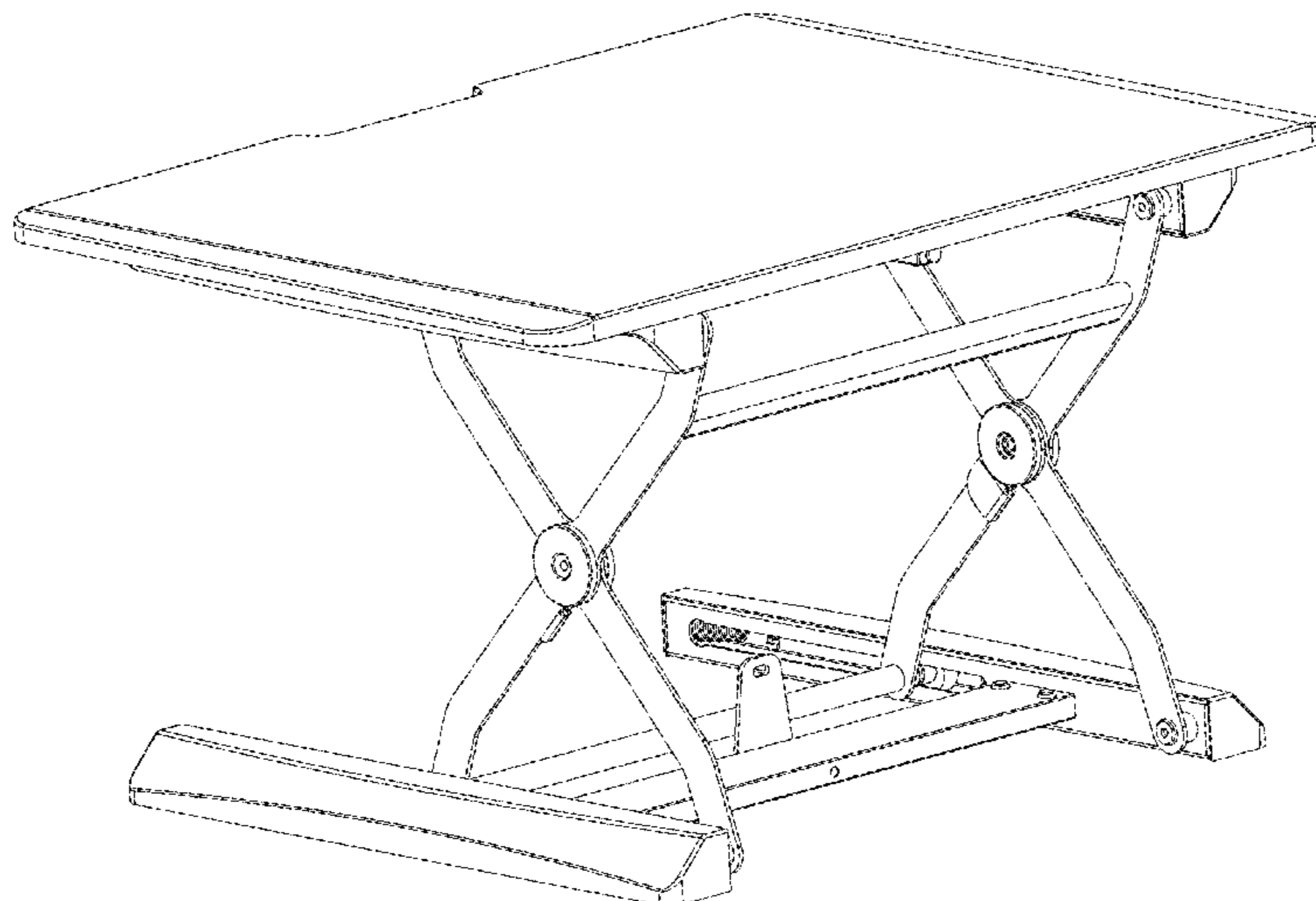
FIG. 14 is a right side view thereof.

(56) **References Cited**

U.S. PATENT DOCUMENTS

4,703,700 A 11/1987 Sema
D478,225 S 8/2003 Wang
D499,273 S 12/2004 Chang
D499,576 S 12/2004 Long
D526,812 S 8/2006 Chen
D547,970 S 8/2007 Chou
D549,009 S 8/2007 Lin

1 Claim, 14 Drawing Sheets



(56)

References Cited

U.S. PATENT DOCUMENTS

9,635,932 B2 5/2017 Kelley et al.
D804,861 S * 12/2017 Failing D6/655.1
D814,214 S * 4/2018 Flaherty D6/648
9,961,991 B1 * 5/2018 Chen A47B 21/02
2015/0159803 A1 * 6/2015 Lin F16M 11/24
108/50.11
2018/0008037 A1 * 1/2018 Laudadio A47B 23/04
2018/0055214 A1 * 3/2018 Kim A47B 9/10
2018/0103752 A1 * 4/2018 Zhong A47B 3/02
2018/0132607 A1 * 5/2018 Flaherty A47B 9/18
2018/0140089 A1 * 5/2018 Blackburn A47B 21/02
2018/0146775 A1 * 5/2018 You A47B 9/16
2018/0160799 A1 * 6/2018 Westerg rd A47B 21/02

OTHER PUBLICATIONS

Varidesk, posted at Amazon.com, posted on Dec. 6, 2017, site visited Aug. 2, 2018. online, available from internet: <https://www.amazon.com/dp/B077YP83BV/>.*

* cited by examiner

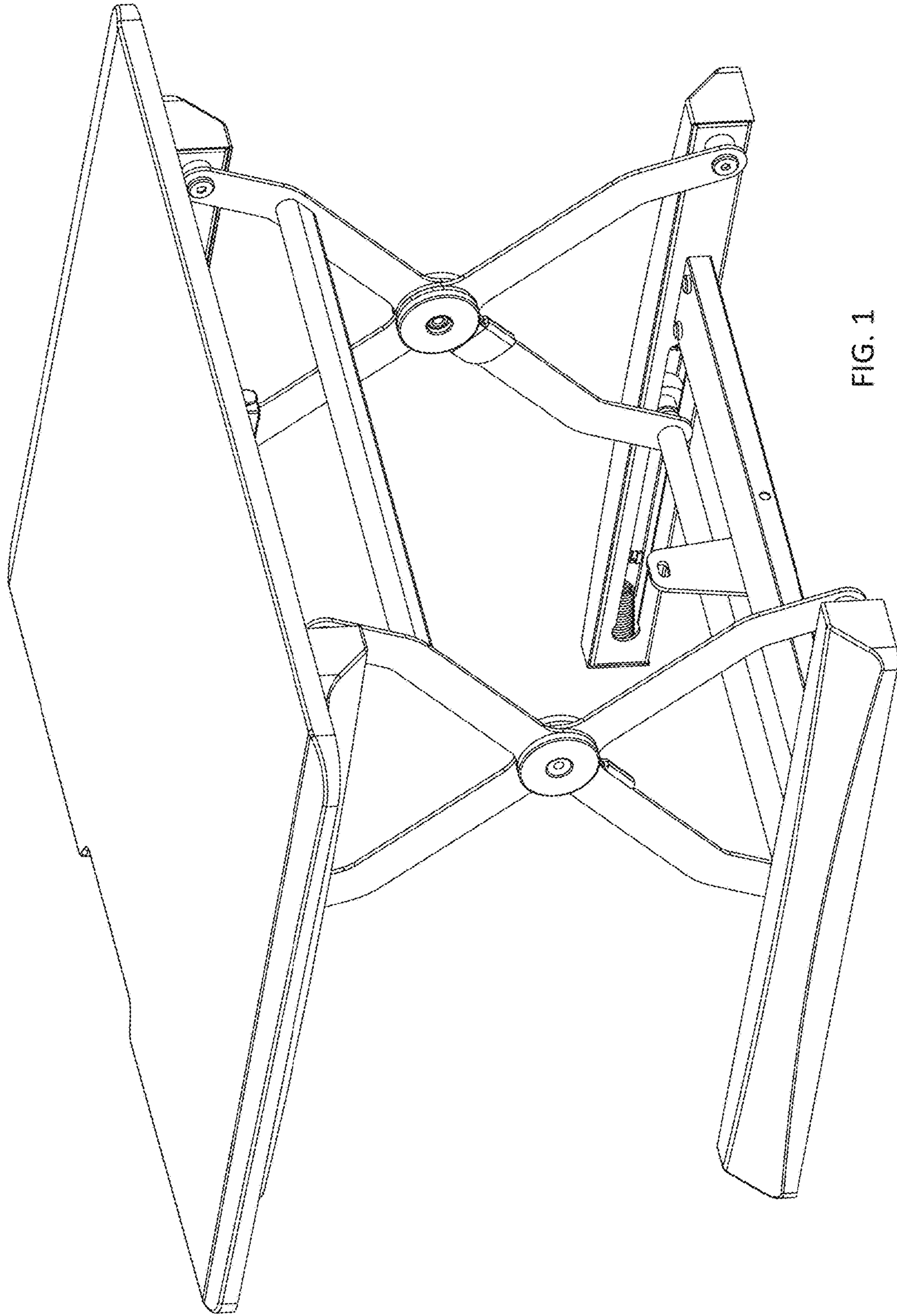


FIG. 1

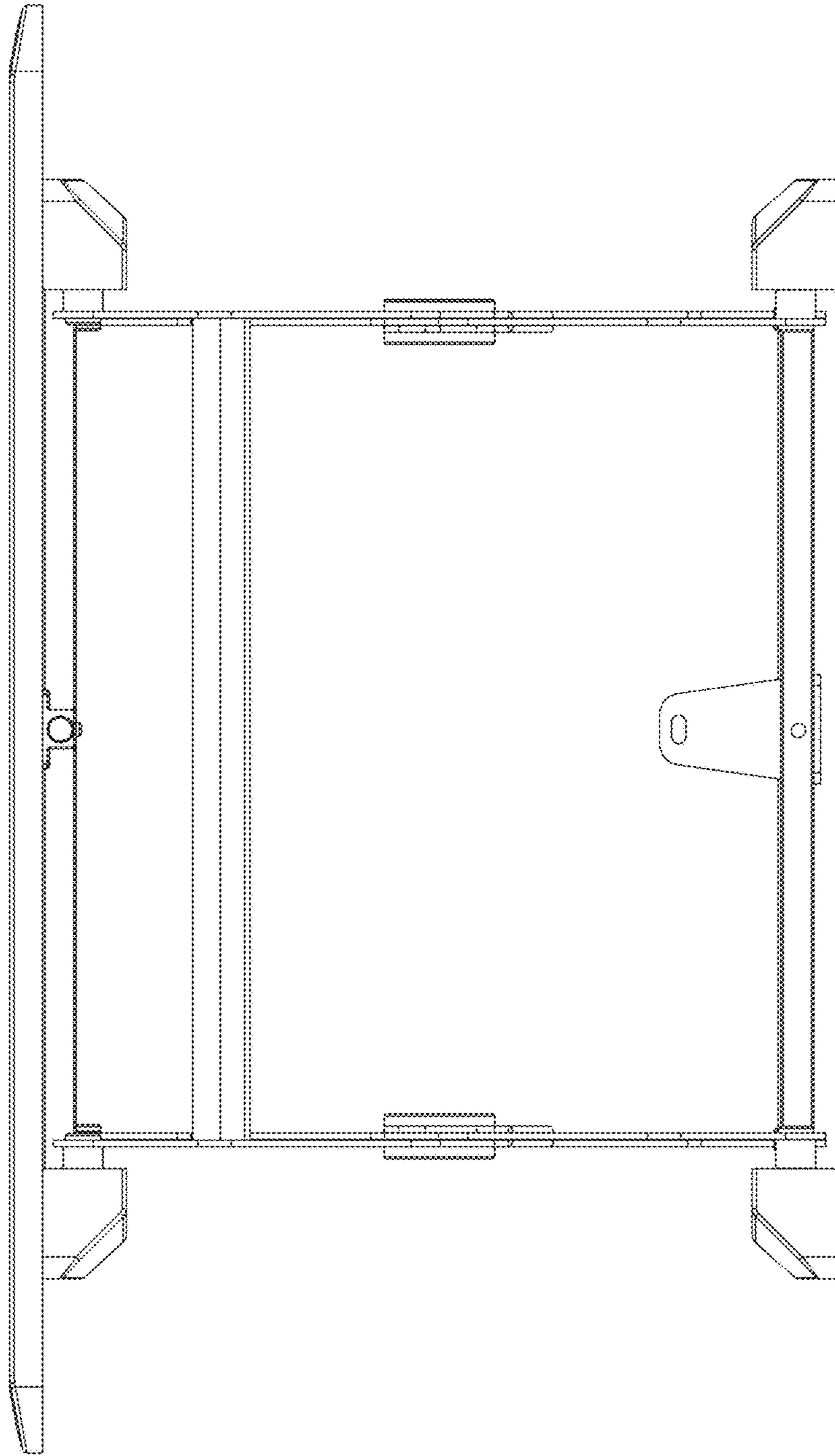


FIG. 2

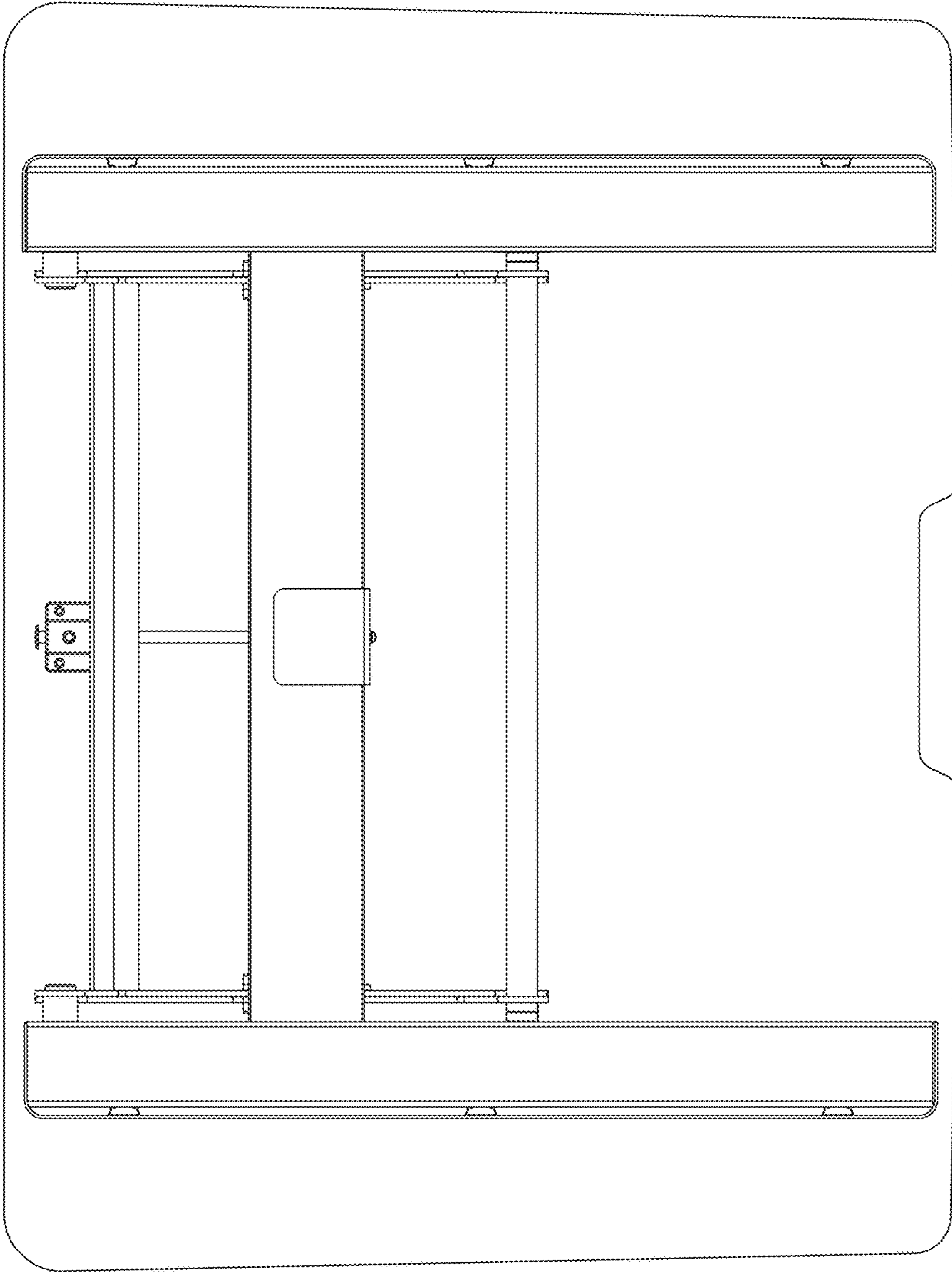


FIG. 3

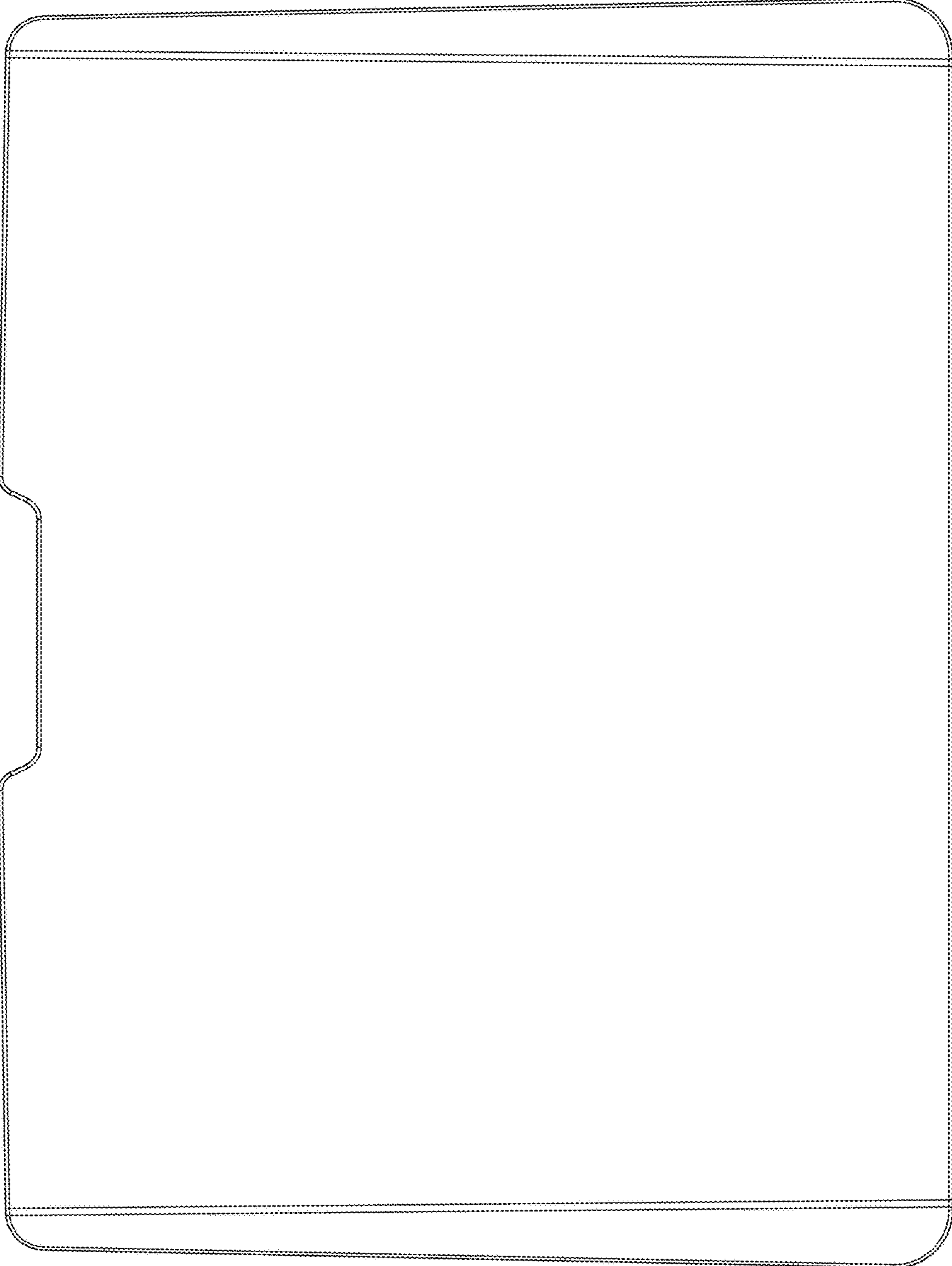


FIG. 4

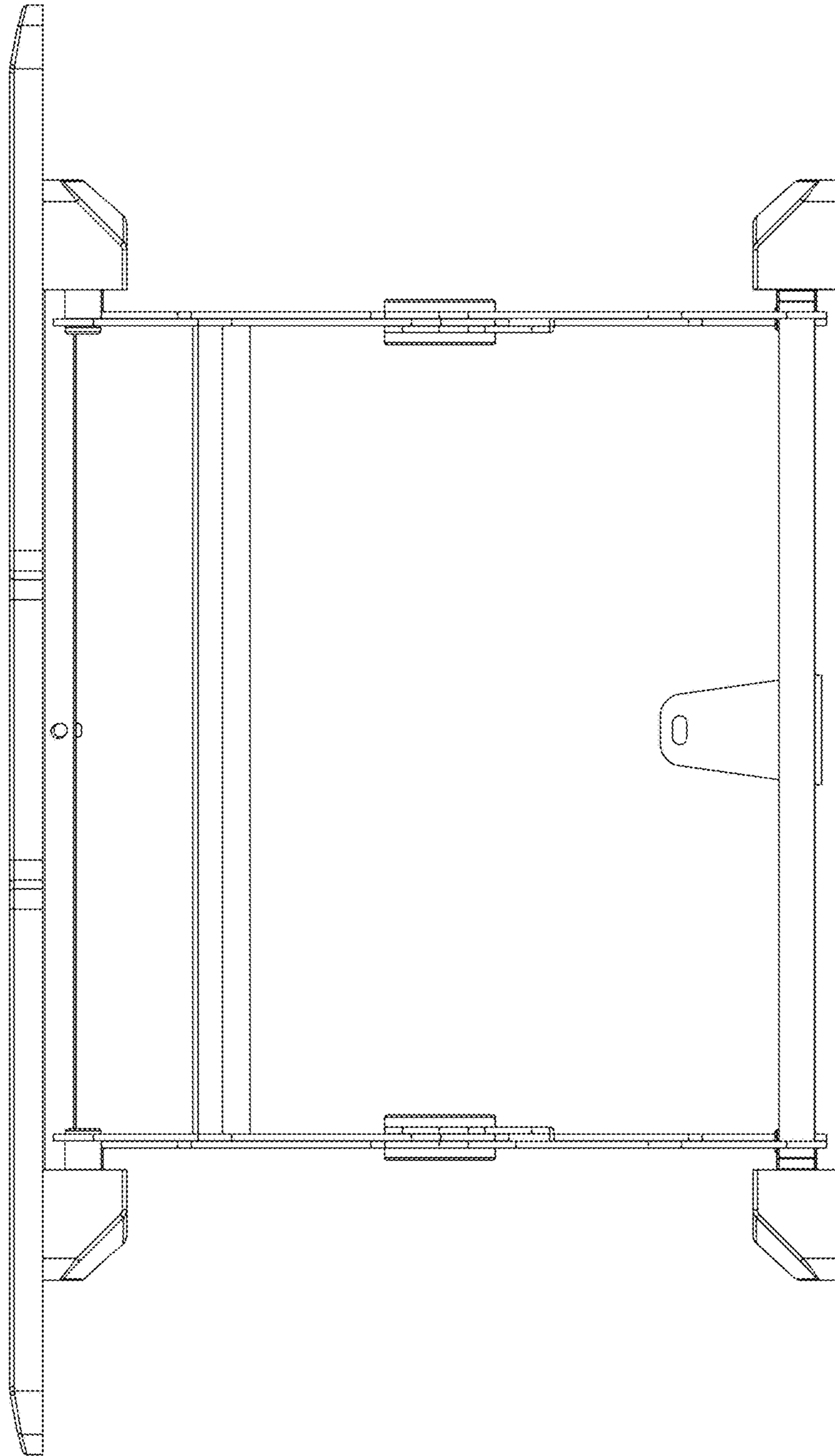


FIG. 5

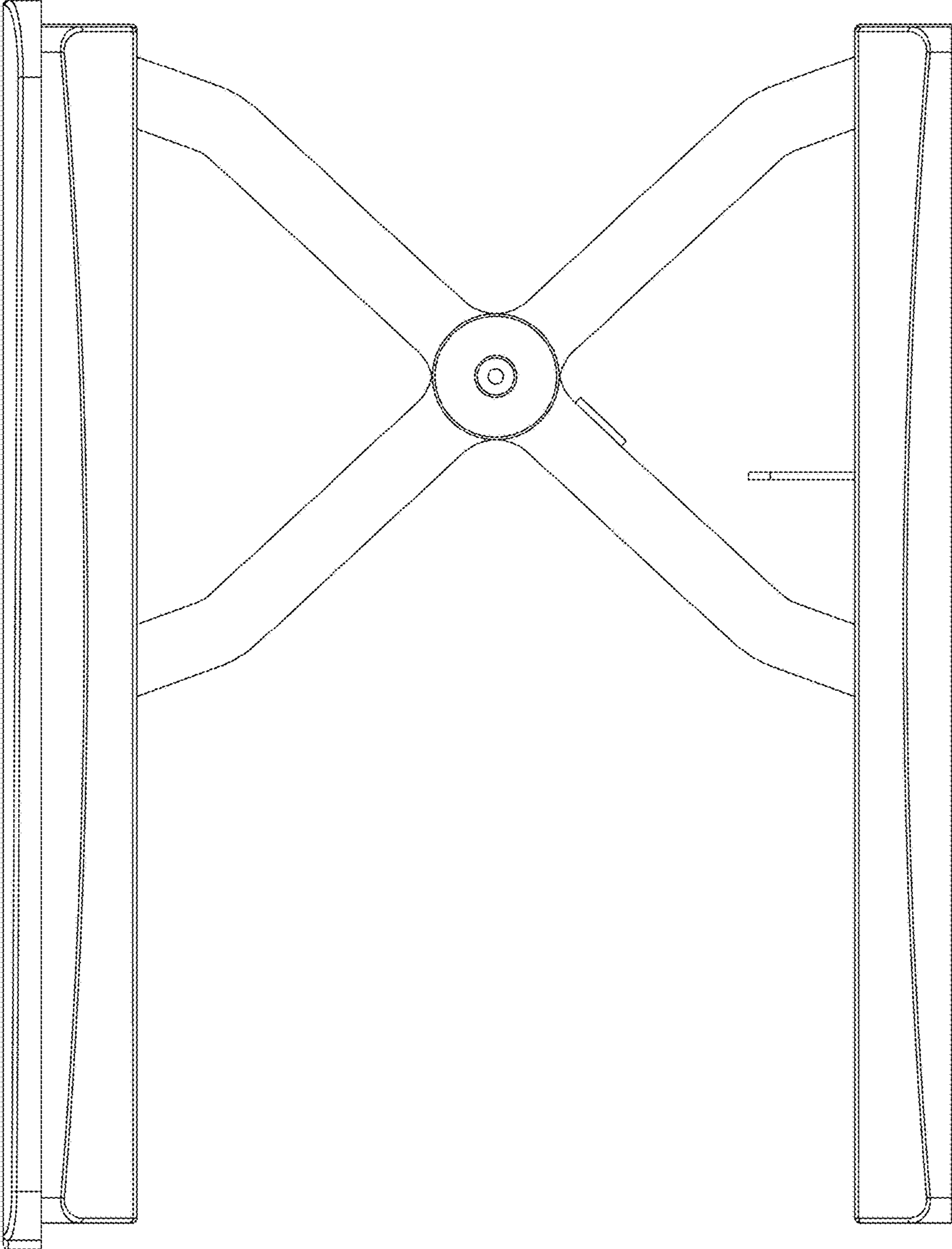


FIG. 6

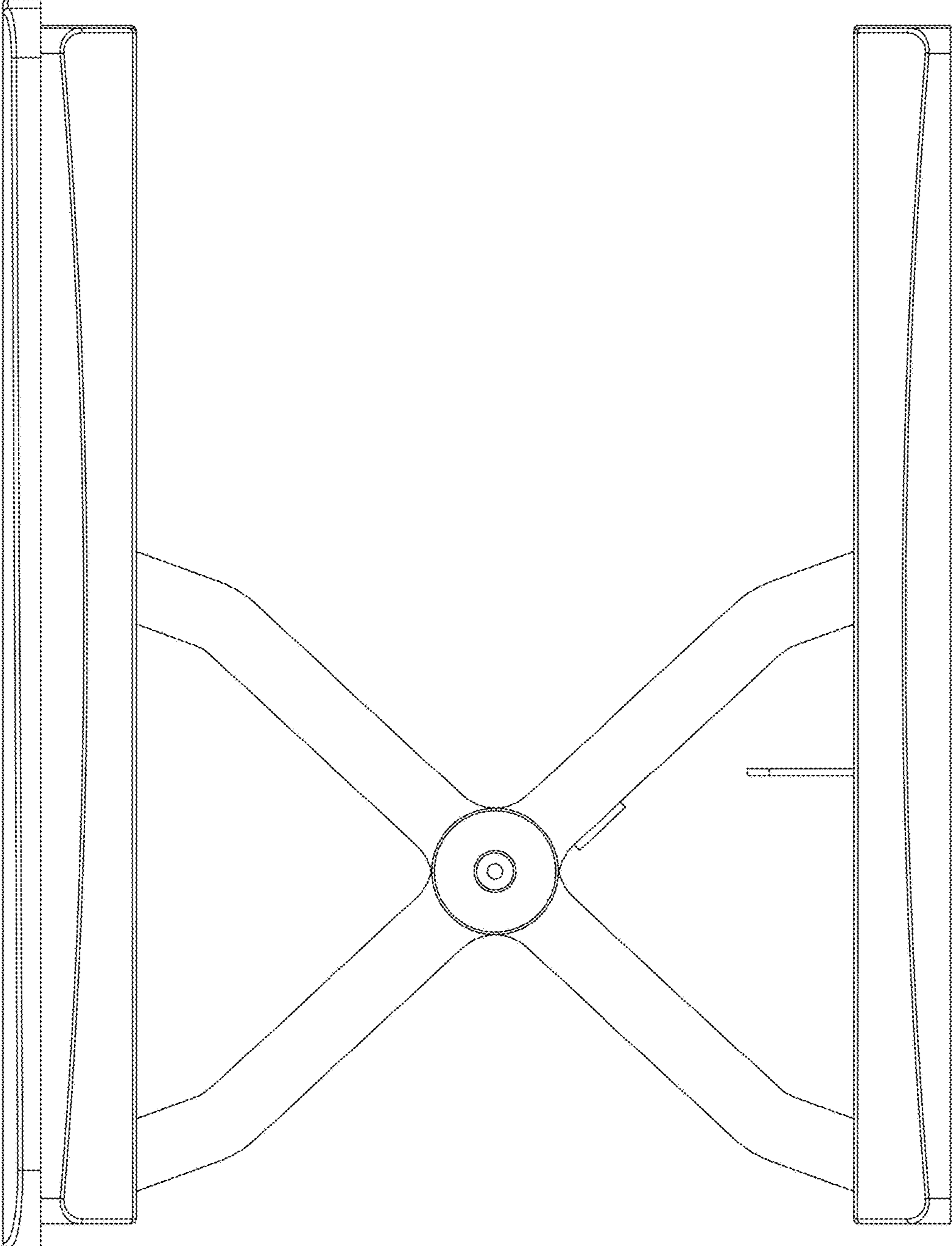


FIG. 7

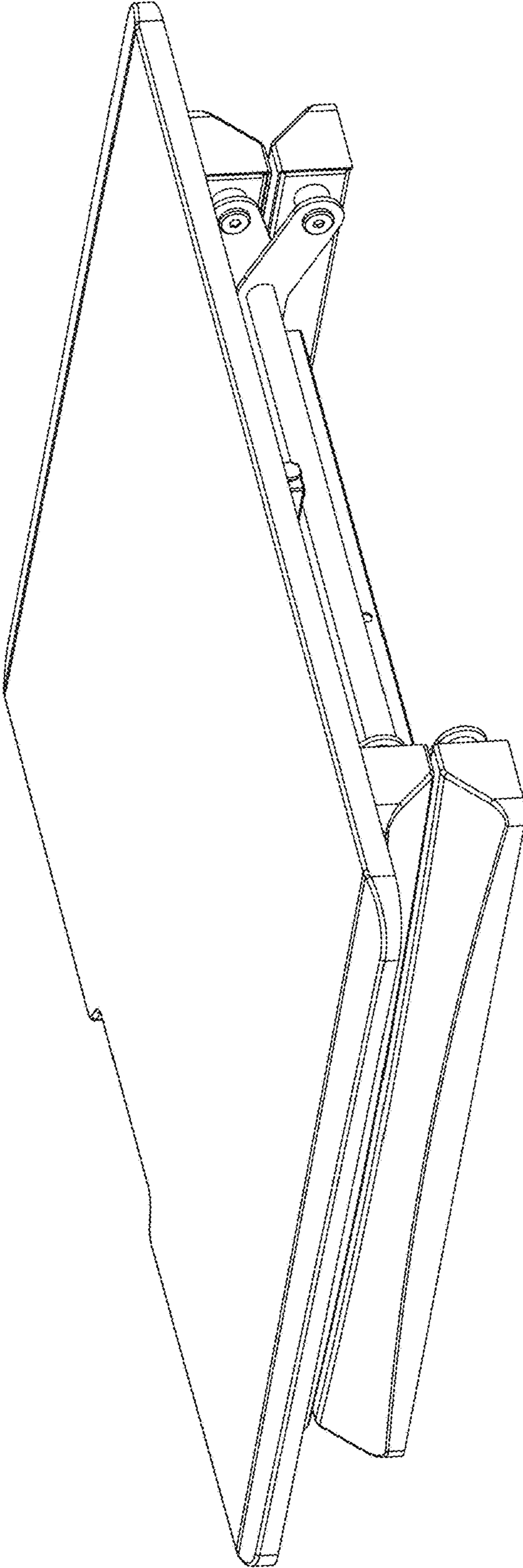


FIG. 8

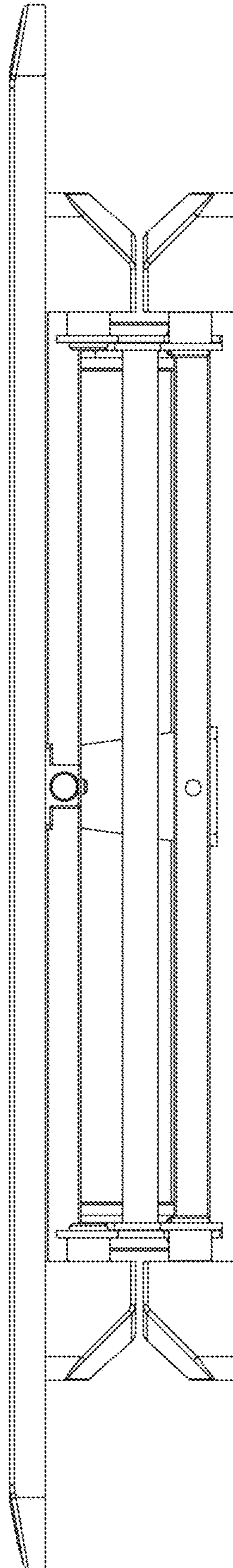


FIG. 9

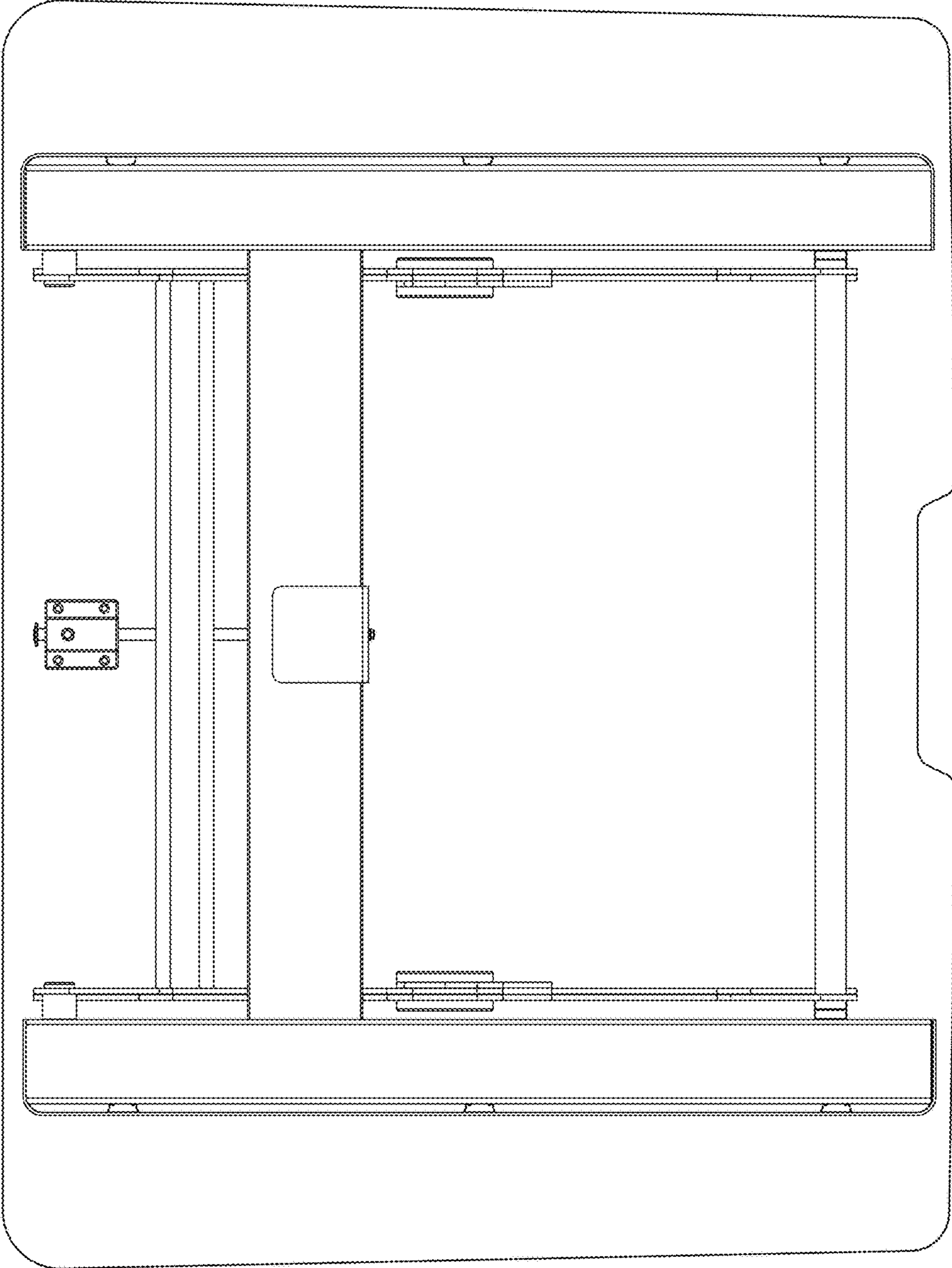


FIG. 10

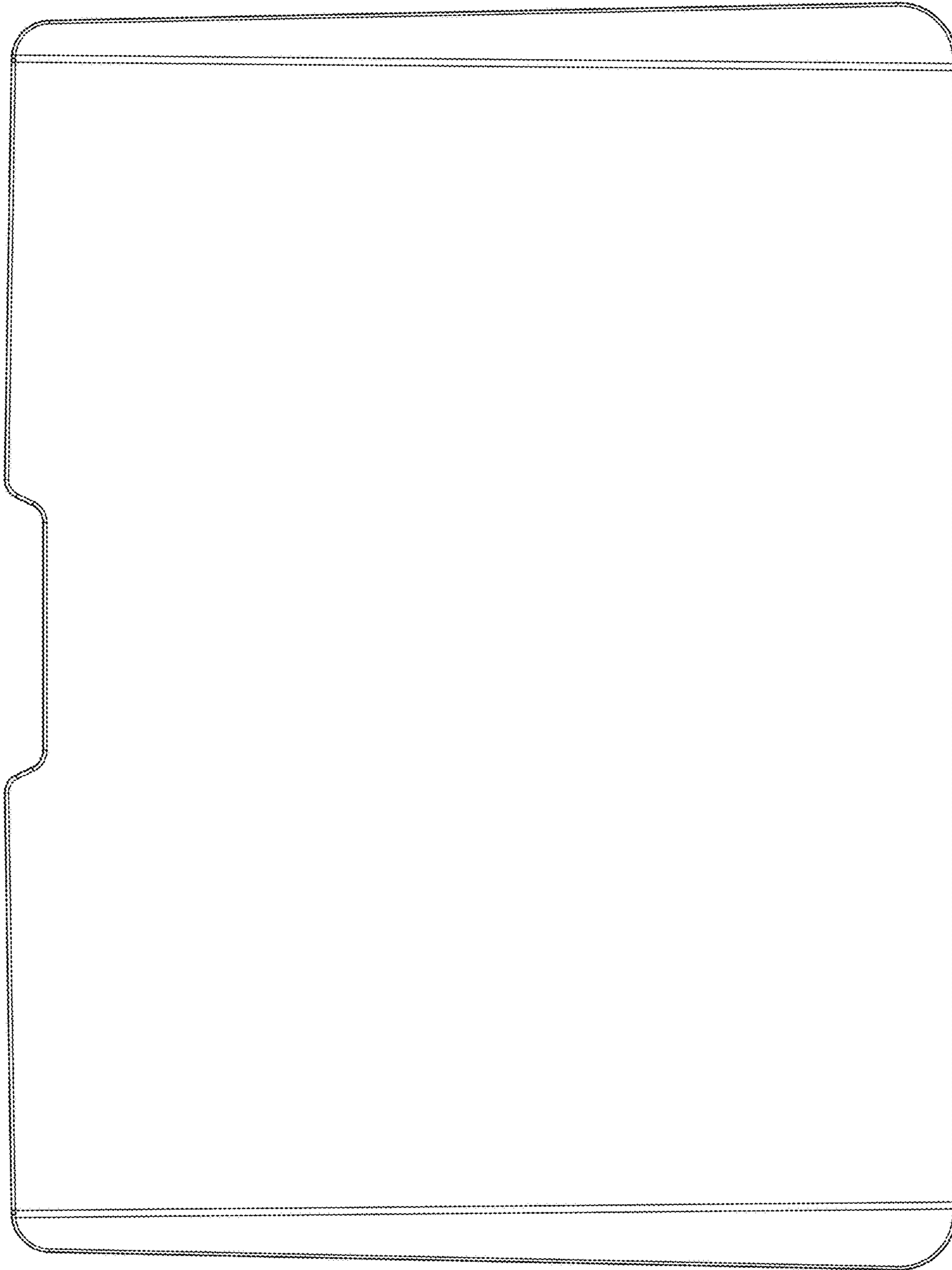


FIG. 11

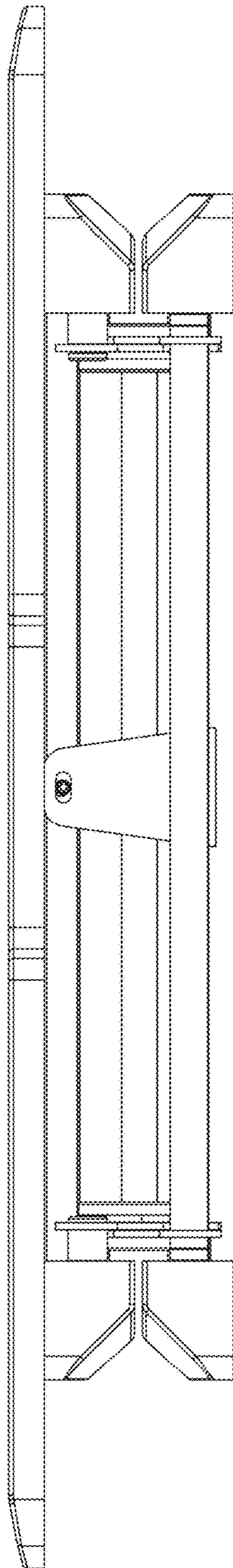


FIG. 12

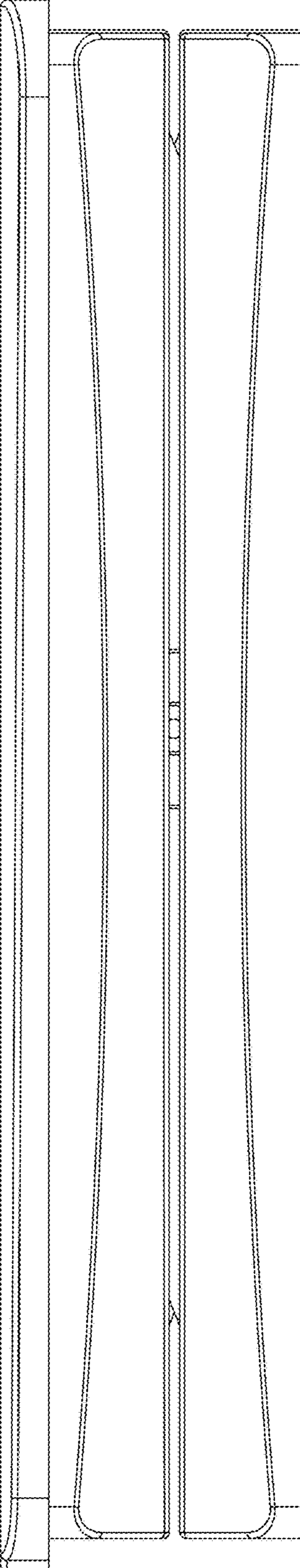


FIG. 13

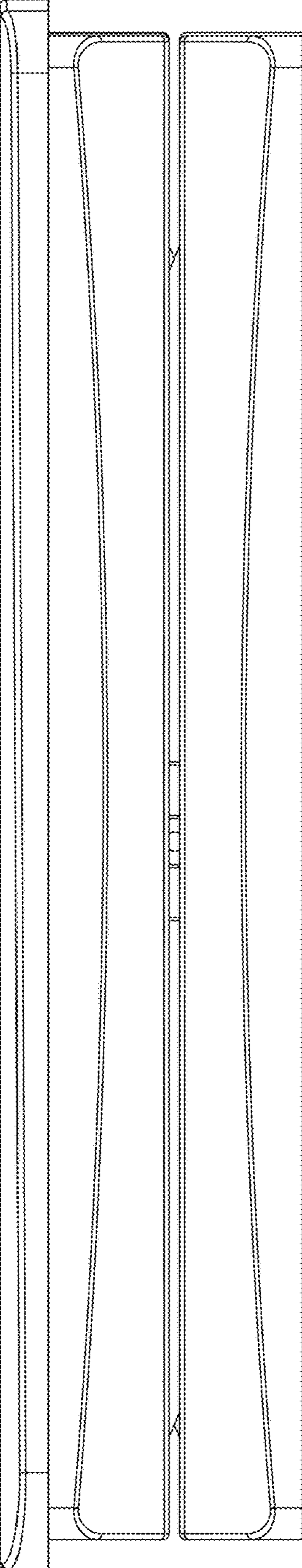


FIG. 14