



US00D864618S

(12) **United States Design Patent** (10) **Patent No.:** **US D864,618 S**
Pfister et al. (45) **Date of Patent:** **** Oct. 29, 2019**

(54) **MATTRESS COVER**

(71) Applicant: **Tempur World, LLC**, Lexington, KY (US)

(72) Inventors: **Brent Pfister**, Lexington, KY (US); **Oleg Bobrovskyj**, Sunds (DK); **Halina Bobrovska**, Sunds (DK); **Andrij Rupa**, Sunds (DK)

(73) Assignee: **TEMPUR WORLD, LLC**, Lexington, KY (US)

(**) Term: **15 Years**

(21) Appl. No.: **29/688,333**

(22) Filed: **Apr. 19, 2019**

Related U.S. Application Data

(62) Division of application No. 29/634,307, filed on Jan. 19, 2018.

(51) **LOC (12) Cl.** **06-09**

(52) **U.S. Cl.**

USPC **D6/605**

(58) **Field of Classification Search**

USPC D6/333, 349, 355, 375, 388, 512, 563, D6/564, 595, 596, 601, 604, 611, 707, D6/715, 716, 716.1; D24/183-185, 234; D21/803, 804, 805, 809; 5/401, 420, 5/600, 630, 631, 632, 633, 635, 636, 638, 5/639, 646, 652, 652.1, 655, 703, 730; 297/1, 2, 4, 93, 180.11, 195.1, 195.11, 297/195.13, 393, 397, 452.12, 452.14, 297/452.15, 452.21, 452.24, 452.26, 297/452.48, 452.62, 482

CPC A47G 9/10; A47G 9/1009; A47G 9/1027; A47G 9/1045; A47G 9/1063; A47G 9/1072; A47G 9/1081

See application file for complete search history.

(56) **References Cited**

U.S. PATENT DOCUMENTS

D37,358 S * 2/1905 Haslup D5/59

D38,427 S 1/1907 Pronberger

(Continued)

FOREIGN PATENT DOCUMENTS

AU 201710516 3/2017

AU 201710521 3/2017

(Continued)

OTHER PUBLICATIONS

Tempur-Pro Adapt, earliest review Aug. 2018, [online], [site visited Mar. 1, 2019], Available from Internet, URL: <https://www.tempurpedic.com/shop-mattresses/tempur-proadapt/v/2577/> (Year: 2018).*

(Continued)

Primary Examiner — Michelle E. Wilson

Assistant Examiner — Sanjeev Paul

(74) *Attorney, Agent, or Firm* — Middleton Reutlinger

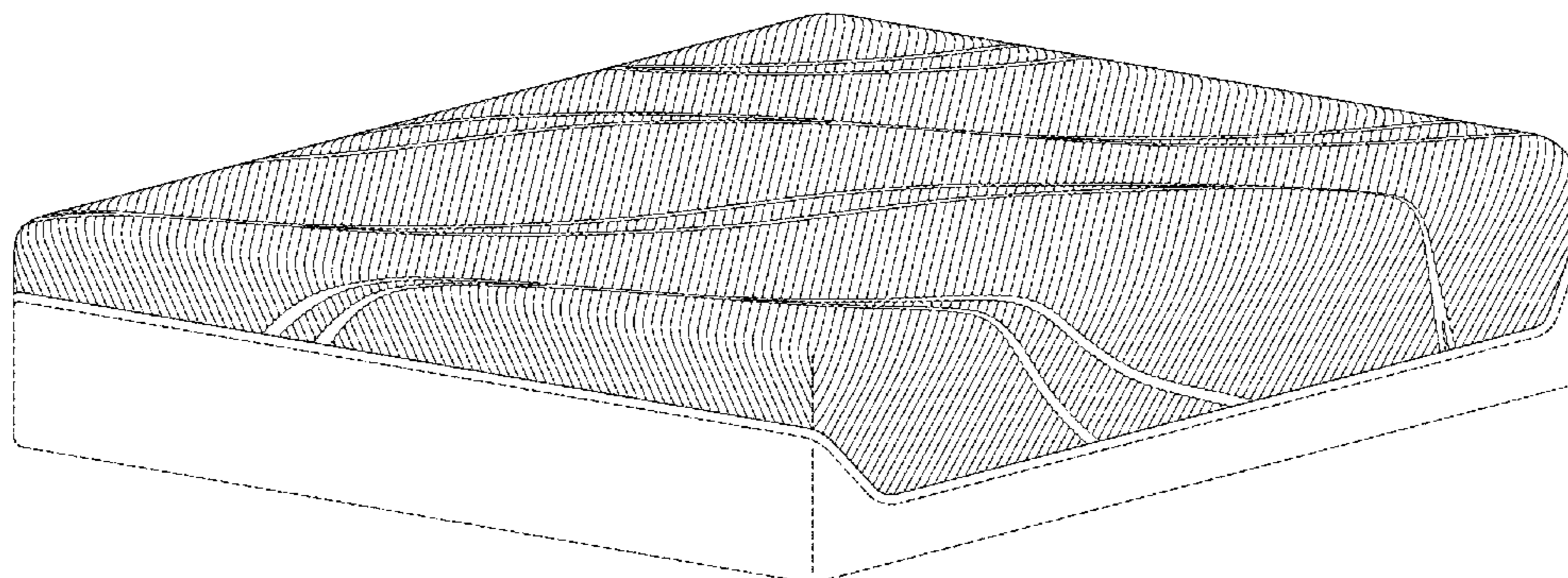
(57) **CLAIM**

The ornamental design for a mattress cover, as shown and described.

DESCRIPTION

FIG. 1 is a front elevational view of a mattress cover design; FIG. 2 is a rear elevational view of the design of FIG. 1; FIG. 3 is a left side elevational view of the design of FIG. 1; FIG. 4 is a right side elevational view of the design of FIG. 1; FIG. 5 is a top view of the design of FIG. 1; FIG. 6 is a bottom view of the design of FIG. 1; and, FIG. 7 is a perspective view of the design of FIG. 1. The broken lines shown in the drawings are included for the purpose of illustrating the unclaimed boundary and unclaimed portions of the mattress cover. The broken lines form no part of the claimed design.

1 Claim, 5 Drawing Sheets



(56)

References Cited

U.S. PATENT DOCUMENTS

D63,092 S * 10/1923 Vandergaw D5/57
 D89,649 S * 4/1933 Megroz D5/7
 D113,261 S * 2/1939 Fassler D6/603
 D182,349 S * 3/1958 Alvord D25/154
 D202,091 S 8/1965 Broderick
 D353,072 S 12/1994 Cornell, Jr. et al.
 D413,731 S * 9/1999 Hannington D5/61
 D419,781 S * 2/2000 Pratt D5/53
 6,199,231 B1 3/2001 Zafiroglu
 6,216,292 B1 4/2001 Oakhill et al.
 D441,540 S * 5/2001 Enderby D5/53
 6,253,398 B1 7/2001 Yim
 6,467,521 B1 * 10/2002 Pratt B29C 70/20
 156/351
 D488,661 S 4/2004 Barman
 D517,848 S 3/2006 Contreras
 D518,672 S 4/2006 Contreras
 D519,311 S 4/2006 Contreras
 D525,437 S * 7/2006 Leisch D5/53
 D562,567 S * 2/2008 Proserpio D5/56
 D587,055 S 2/2009 Tucker
 D600,485 S 9/2009 Tucker
 D606,353 S 12/2009 Tucker
 D616,236 S 5/2010 Morrison
 D621,198 S 8/2010 Morrison
 D622,088 S 8/2010 Morrison
 D622,531 S 8/2010 Morrison et al.
 D622,996 S 9/2010 Morrison et al.
 D634,148 S 3/2011 Morrison
 D636,607 S * 4/2011 Withers A47J 36/02
 D5/56
 D640,082 S 6/2011 Morrison
 D642,847 S 8/2011 Rinehart
 D650,994 S * 12/2011 Sheehan D5/56
 D662,751 S 7/2012 Morrison et al.
 D662,752 S 7/2012 Morrison et al.
 D666,448 S 9/2012 Morrison et al.
 D666,449 S 9/2012 Morrison et al.
 D670,950 S * 11/2012 Price D6/605
 D690,962 S * 10/2013 Danileson D6/605
 D696,048 S 12/2013 Morrison
 8,721,073 B2 * 5/2014 Bowers G02C 7/046
 351/159.31
 D719,763 S 12/2014 Enders
 D719,764 S * 12/2014 Enders D5/55
 D720,158 S * 12/2014 Harmening D5/56
 D723,839 S 3/2015 Bond et al.
 D724,353 S 3/2015 Johnson et al.
 D724,864 S * 3/2015 Harmening D5/56
 D724,865 S * 3/2015 Jensen D5/56
 D724,866 S 3/2015 Johnson et al.
 D725,943 S 4/2015 Oberwelz et al.
 D726,452 S * 4/2015 Jensen D5/55
 D727,663 S 4/2015 Jensen
 D728,275 S 5/2015 Jensen et al.
 D728,276 S * 5/2015 Jensen D5/56
 D728,277 S 5/2015 Jensen et al.
 D733,464 S 7/2015 Nielsen et al.
 D741,622 S 10/2015 Jensen et al.
 D742,660 S * 11/2015 Oberwelz D6/606
 D744,766 S 12/2015 Morrison et al.
 D744,767 S 12/2015 Morrison et al.
 D744,768 S 12/2015 Morrison et al.
 D746,082 S * 12/2015 Harmening D6/605
 D746,083 S 12/2015 Morrison et al.
 D746,084 S * 12/2015 Jensen D6/606
 D746,085 S 12/2015 Jensen et al.
 D753,934 S * 4/2016 Daeseleire D6/605
 D762,079 S * 7/2016 Oberwelz D6/606
 D763,602 S 8/2016 Oberwelz et al.
 D766,017 S 9/2016 Jensen et al.
 D767,306 S 9/2016 Oberwelz et al.
 D776,960 S 1/2017 Suzuki et al.
 9,601,034 B2 3/2017 Jensen et al.
 D784,733 S * 4/2017 Bell D6/605

D785,972 S * 5/2017 Oberwelz D6/602
 9,675,189 B2 6/2017 Jensen et al.
 D802,964 S * 11/2017 Alletto, Jr. D6/605
 D804,221 S * 12/2017 Alletto, Jr. D6/605
 D804,854 S * 12/2017 Bunnell D6/606
 D804,856 S * 12/2017 Desodt D6/606
 D804,857 S * 12/2017 Desodt D6/606
 D804,858 S * 12/2017 Desodt D6/606
 D804,859 S * 12/2017 Desodt D6/606
 D805,327 S * 12/2017 Desodt D6/606
 D805,328 S * 12/2017 Desodt D6/606
 D811,127 S * 2/2018 Bell D6/605
 D811,128 S * 2/2018 Bell D6/605
 D811,776 S 3/2018 Desodt et al.
 D820,006 S * 6/2018 Desodt D6/606
 D820,618 S * 6/2018 Desodt D6/606
 9,997,089 B2 6/2018 Jensen et al.
 D823,029 S 7/2018 Jensen et al.
 D833,178 S * 11/2018 Desodt D6/606
 D833,179 S * 11/2018 Desodt D6/606
 D833,180 S * 11/2018 Desodt D6/606
 D833,778 S 11/2018 Desodt et al.
 D842,008 S 3/2019 Desodt et al.
 D845,677 S 4/2019 Desodt et al.
 2010/0138992 A1 6/2010 Morrison
 2014/0196647 A1 7/2014 Myers et al.
 2016/0051059 A1 2/2016 Jensen et al.
 2017/0238717 A1 8/2017 Jensen et al.
 2018/0277022 A1 9/2018 Jensen et al.

FOREIGN PATENT DOCUMENTS

AU	201711499	4/2017
AU	201711595	4/2017
CA	2935622	7/2015
CA	2935633	7/2015
CA	2956140	2/2016
CA	2935627	7/2017
CA	172825	11/2017
CA	172826	11/2017
CA	176686	11/2017
CA	176706	11/2017
CN	105979822	9/2016
CN	105979823	9/2016
CN	105979825	9/2016
CN	4476499	1/2018
CN	ZL201730031670.4	3/2018
EM	003729714-0001	1/2017
EM	003729714-0002	1/2017
EM	3729722-0001-0002	1/2017
EP	3089621	11/2016
EP	3089624	11/2016
EP	3089626	10/2018
ES	2485966	8/2014
JP	1583849	3/2017
JP	1589164	10/2017
JP	1592012	11/2017
JP	1592014	11/2017
KR	3009310900001-02	11/2017
TW	D166222	3/2015
WO	2015020643	2/2015
WO	2015103171	7/2015
WO	2015103177	7/2015
WO	2015103186	7/2015
WO	2016018703	2/2016

OTHER PUBLICATIONS

Stearns & Foster Estate Collection; <http://www.houstondiscountmattresses.com/stearns-foster-estate-basic.html>; 1 page; accessed Jun. 1, 2018.
 Tempur-Pro Adapt, earliest review Aug. 2018, [online], [site visited Mar. 1, 2019]. Available from Internet, URL: <https://www.tempurpedic.com/shop-mattresses/tempur-proadapt/v/2577/> (Year: 2018).

(56)

References Cited

OTHER PUBLICATIONS

Sealy Hybrid Mattress, earliest review 2018, [online], [site visited Mar. 1, 2019]. Available from Internet, URL: <https://www.sealy.com/mattresses/lines/hybrid/> (Year: 2018).

* cited by examiner

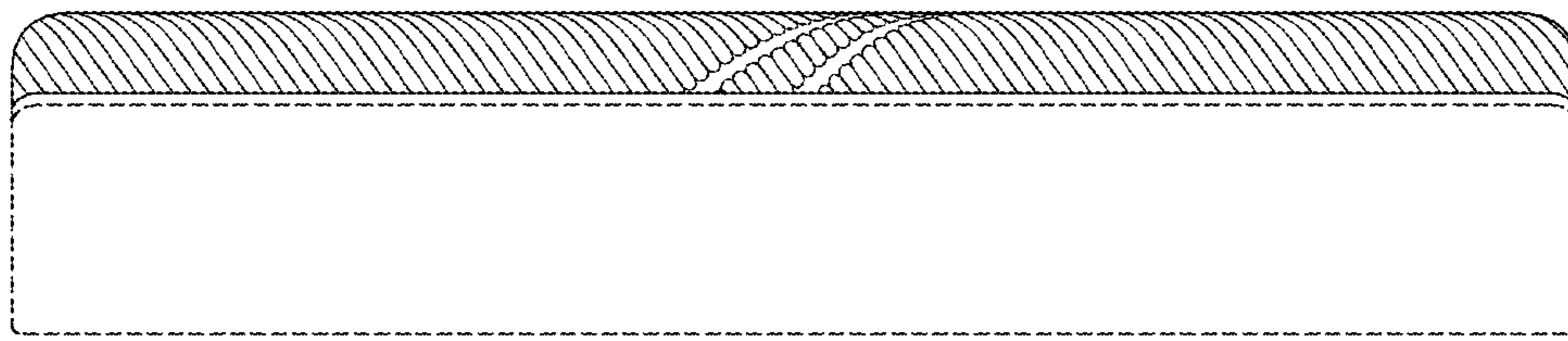


FIG. 1

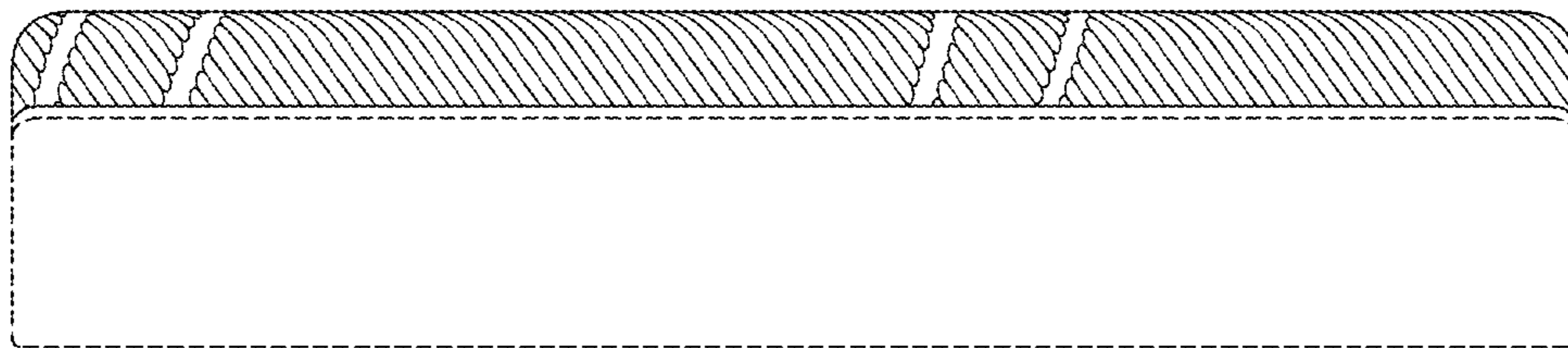


FIG. 2

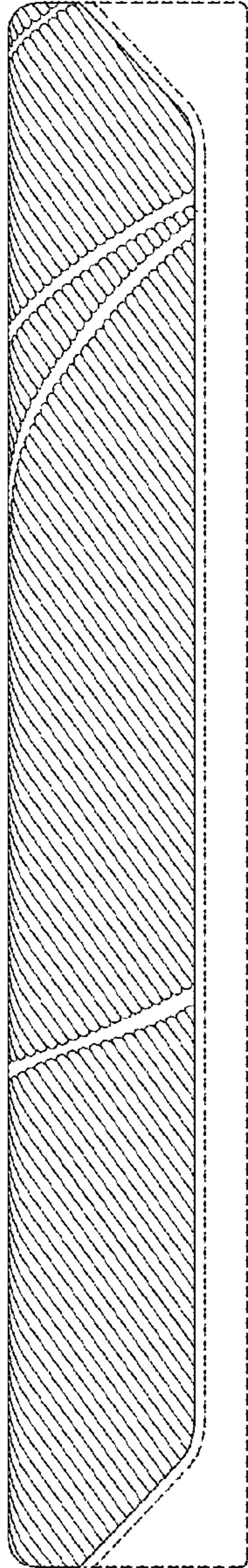


FIG. 3

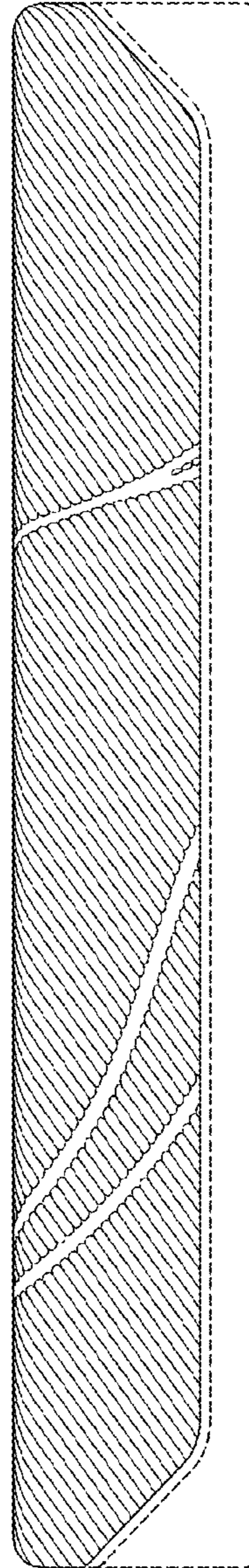


FIG. 4

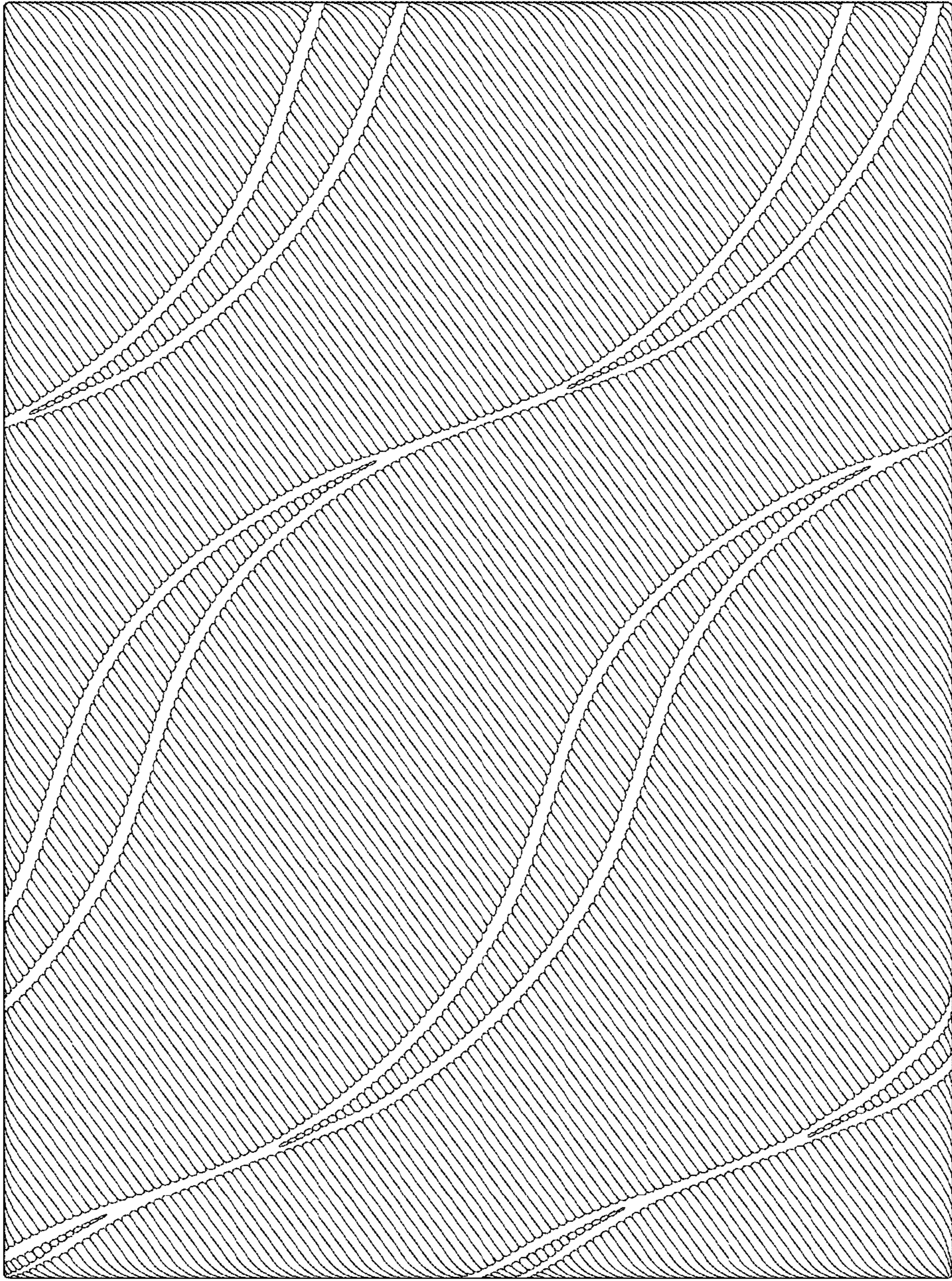


FIG. 5

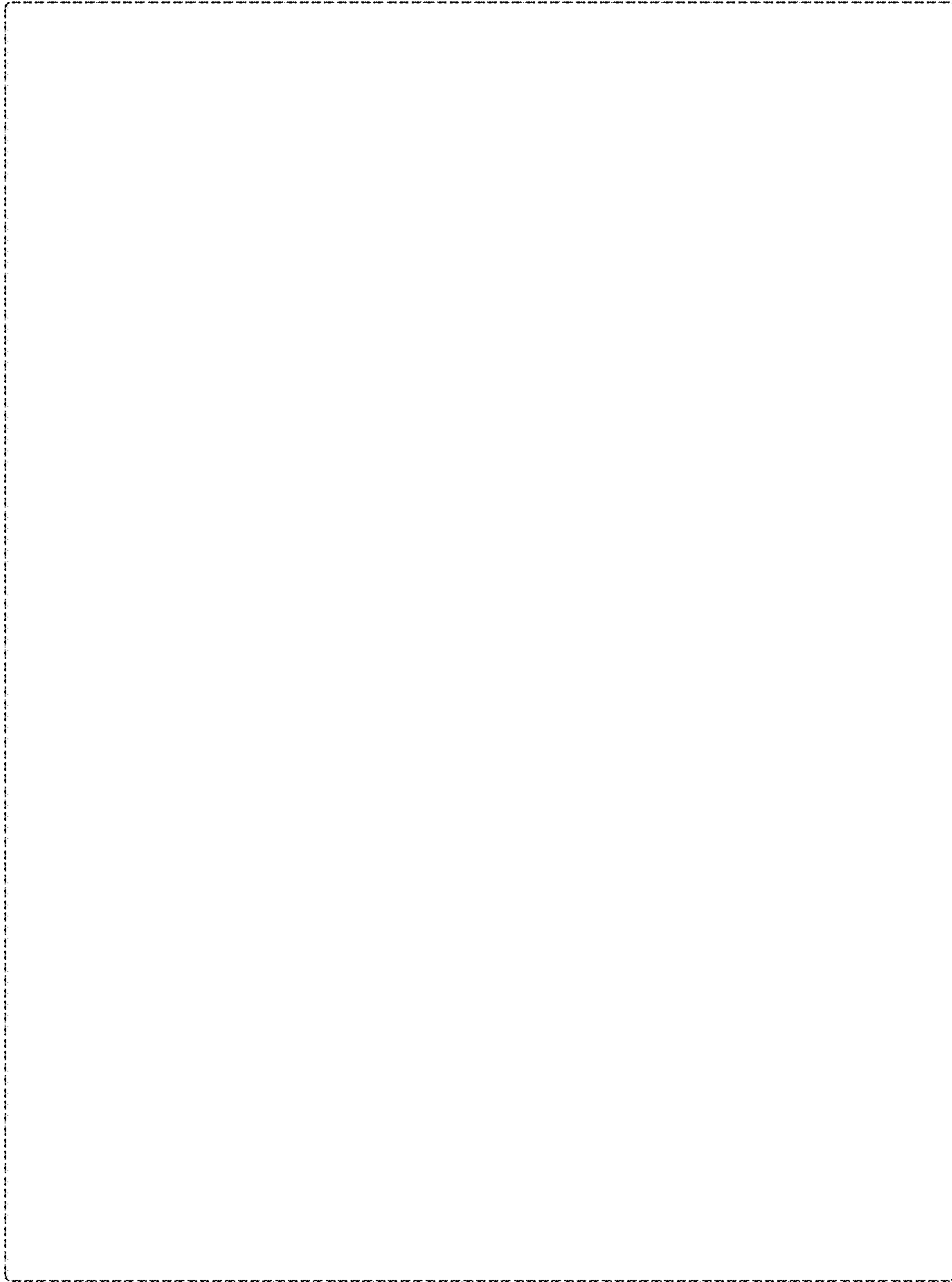


FIG. 6

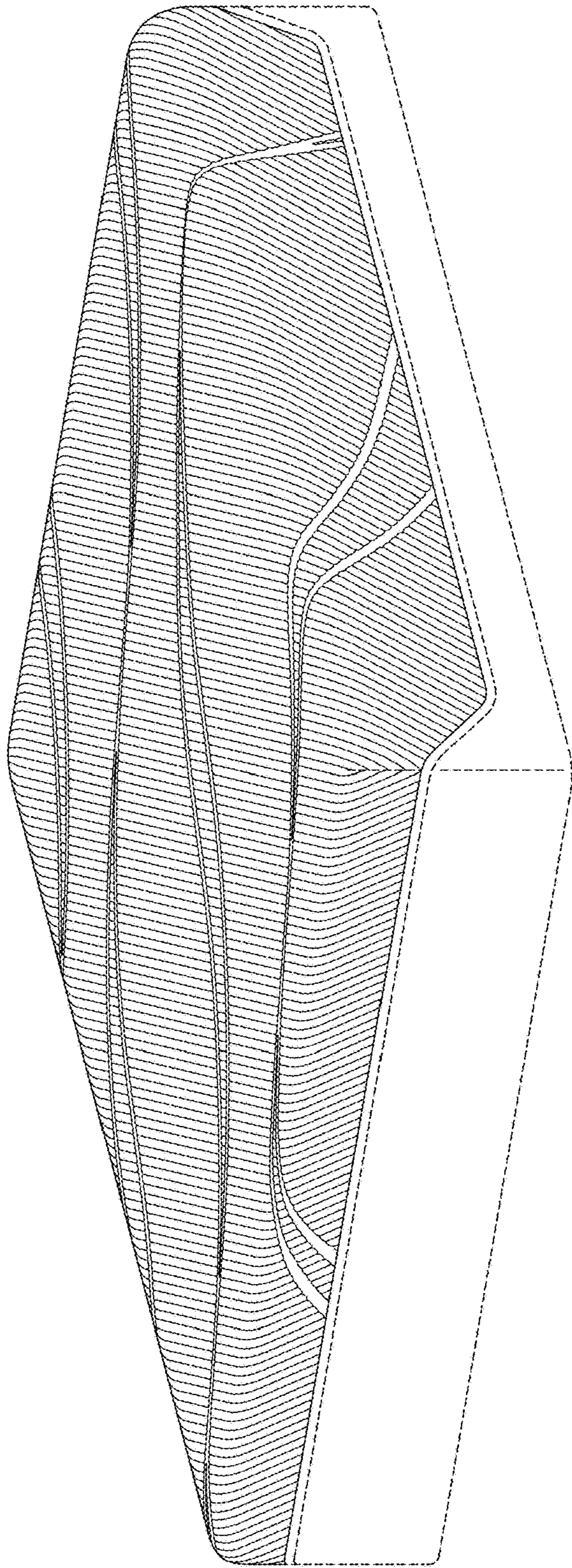


FIG. 7