

US00D864613S

(12) **United States Design Patent** (10) **Patent No.:** **US D864,613 S**  
**Pearce et al.** (45) **Date of Patent:** **\*\* Oct. 29, 2019**

(54) **MATTRESS CUSHION**

(56) **References Cited**

(71) Applicant: **Purple Innovation, LLC**, Alpine, UT (US)

U.S. PATENT DOCUMENTS

(72) Inventors: **Tony M. Pearce**, Alpine, UT (US);  
**Andrea N. Pearce**, Alpine, UT (US);  
**Daniel Harmon**, Springville, UT (US);  
**Brett Crockett**, South Jordan, UT (US)

D665,615 S *	8/2012	Frame, Jr. ....	D6/606
D670,950 S *	11/2012	Price .....	D6/605
D690,962 S *	10/2013	Danileson .....	D6/605
D707,061 S *	6/2014	Tjoflat .....	D6/605
D711,160 S *	8/2014	Arnold .....	D6/605
D717,077 S *	11/2014	Arnold .....	D6/605
D719,766 S *	12/2014	Arnold .....	D6/605
D799,858 S *	10/2017	Pearce .....	D6/605
D804,221 S *	12/2017	Alletto, Jr. ....	D6/605
D810,472 S *	2/2018	Wightman .....	D6/606

(73) Assignee: **Purple Innovation, LLC**, Alpine, UT (US)

(Continued)

(\*\*) Term: **15 Years**

*Primary Examiner* — Mary Ann Calabrese

*Assistant Examiner* — Jennifer L Rempfer

(21) Appl. No.: **29/607,428**

(74) *Attorney, Agent, or Firm* — Durham Jones & Pinegar, P.C., Intellectual Property Law Group

(22) Filed: **Jun. 13, 2017**

**Related U.S. Application Data**

(62) Division of application No. 29/557,601, filed on Mar. 10, 2016, now Pat. No. Des. 799,858.

(57) **CLAIM**

The ornamental design for a mattress cushion, as shown and described.

(51) **LOC (12) Cl.** ..... **06-09**

**DESCRIPTION**

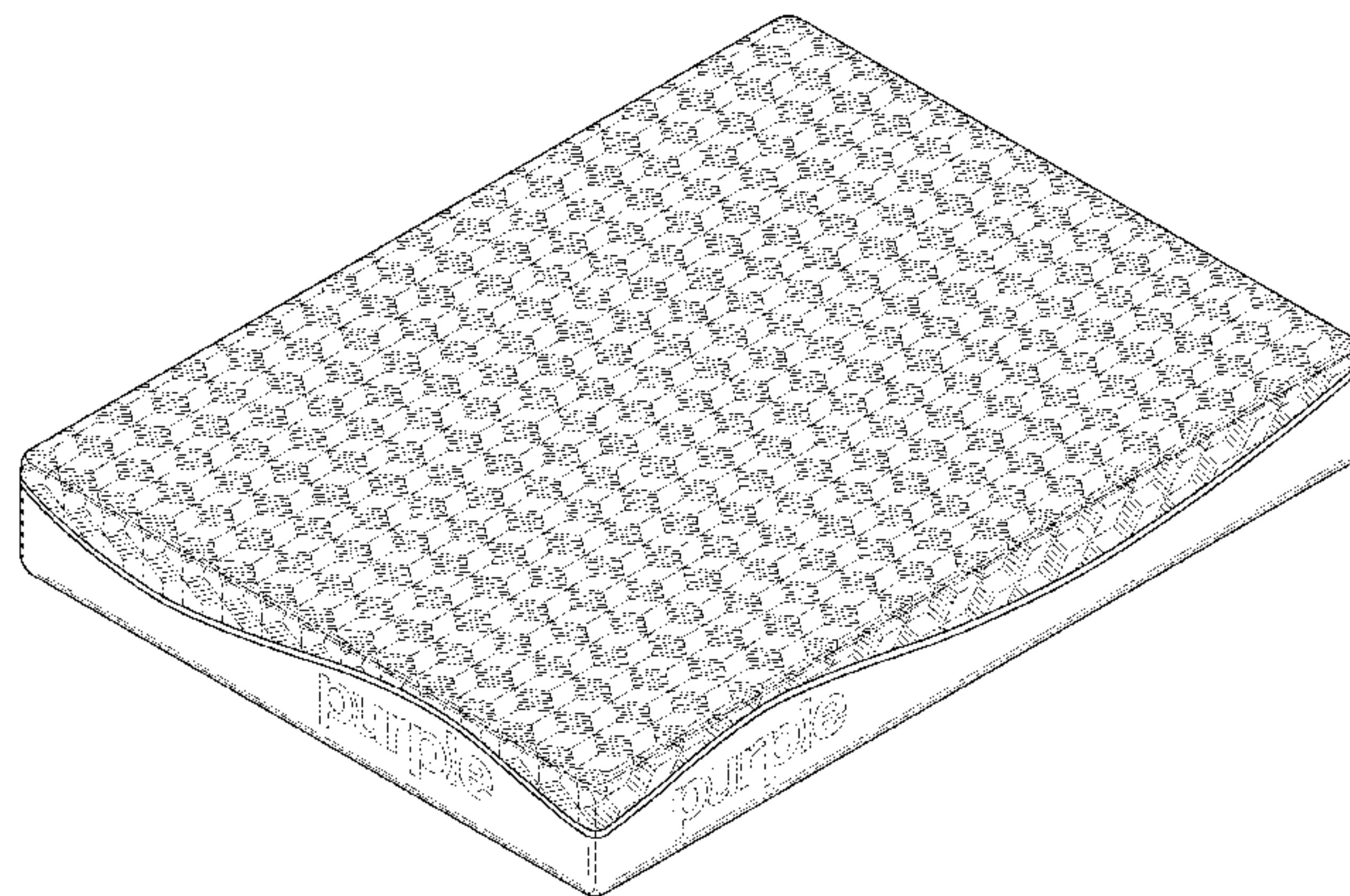
(52) **U.S. Cl.**  
USPC ..... **D6/605**

(58) **Field of Classification Search**  
USPC ..... D6/582–583, 587–592, 595–609,  
D6/617–622; D21/803–809; D24/183  
CPC ..... A47G 9/00; A47G 2009/001; A47G  
2009/002; A47G 2009/003; A47G  
2009/005; A47G 2009/006; A47G 9/02;  
A47G 9/0207; A47G 9/0215; A47G  
9/0223; A47G 9/023; A47G 9/0238;  
A47G 9/0246; A47G 9/0253; A47G  
9/0261; A47G 9/06; A47G 9/062; A47G  
9/066; A47G 9/068; A47G 9/08; A47G  
2009/0276; A47G 9/0284; A47G 9/0292;  
A47G 9/04; A47G 9/10

FIG. 1 is a perspective view of a mattress cushion, showing our new design;  
FIG. 2 is a front side view of the mattress cushion shown in FIG. 1;  
FIG. 3 is a back side view of the mattress cushion shown in FIG. 1;  
FIG. 4 is a right side view of the mattress cushion shown in FIG. 1;  
FIG. 5 is a left side view of the mattress cushion shown in FIG. 1;  
FIG. 6 is a top view of the mattress cushion shown in FIG. 1; and,  
FIG. 7 is a bottom view of the mattress cushion shown in FIG. 1.

See application file for complete search history.

(Continued)



The broken lines shown in the drawings represent portions of the mattress cushion that form no part of the claimed design.

**1 Claim, 5 Drawing Sheets**

(56) **References Cited**

U.S. PATENT DOCUMENTS

D811,127	S	*	2/2018	Bell	.....	D6/605
D811,777	S	*	3/2018	Wightman	.....	D6/606
D824,712	S	*	8/2018	Rawls-Meehan	.....	D6/718
D830,729	S	*	10/2018	Alletto, Jr.	.....	D6/596
D830,730	S	*	10/2018	Alletto, Jr.	.....	D6/596
D831,383	S	*	10/2018	Alletto, Jr.	.....	D6/596
2017/0254003	A1	*	9/2017	Pearce	.....	D04B 1/02

\* cited by examiner



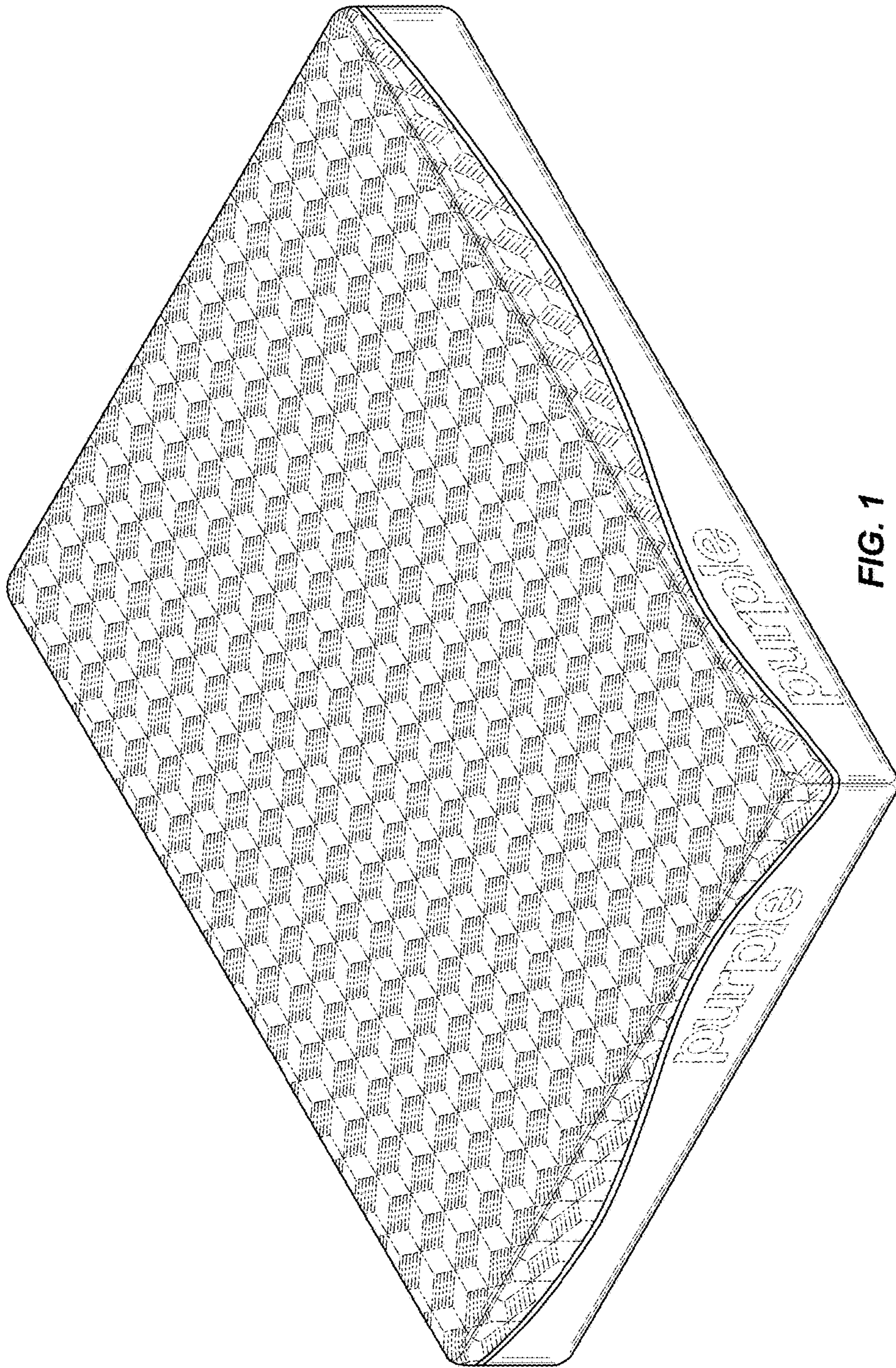
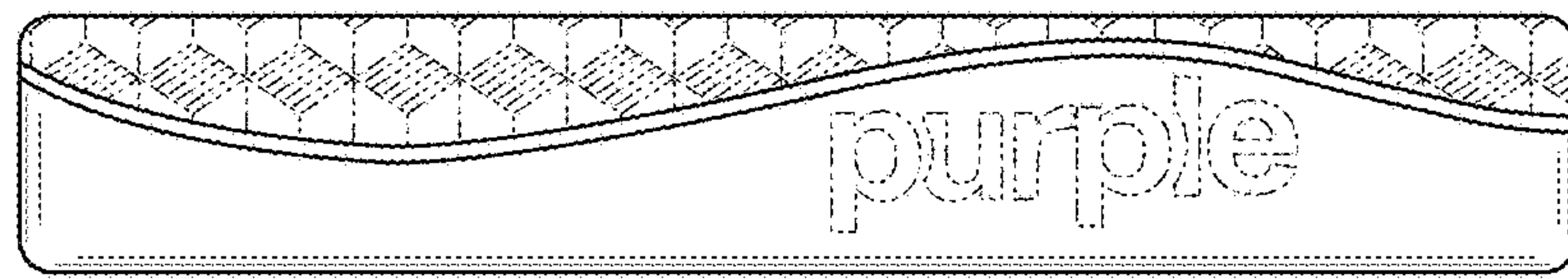
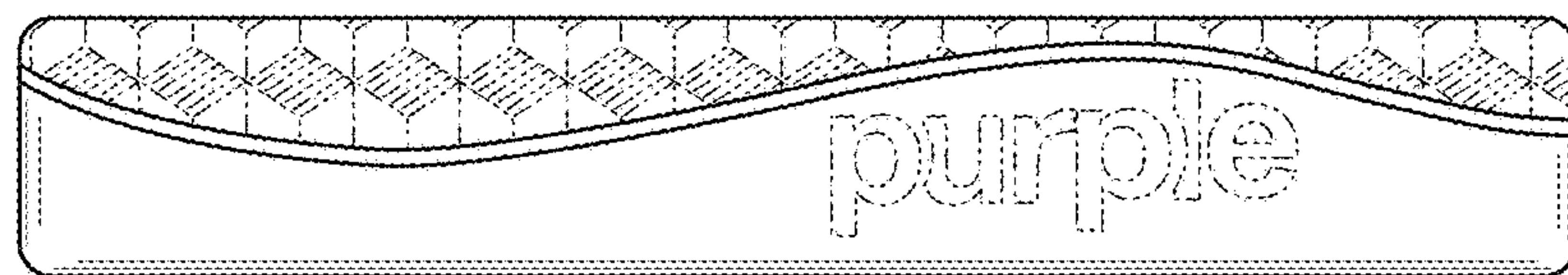


FIG. 1



**FIG. 2**



**FIG. 3**

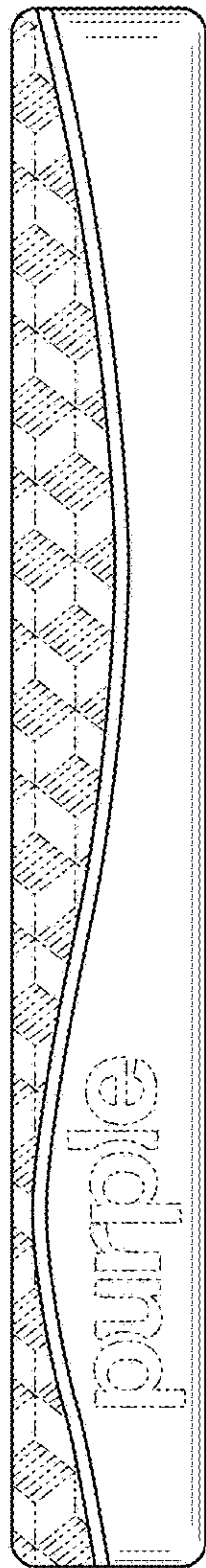


FIG. 4

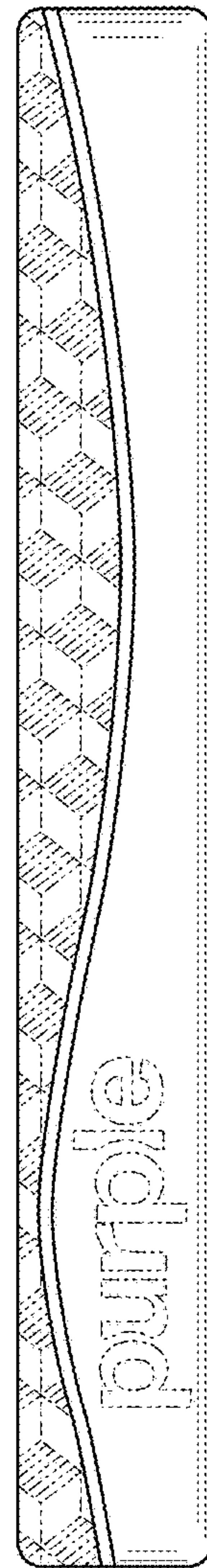
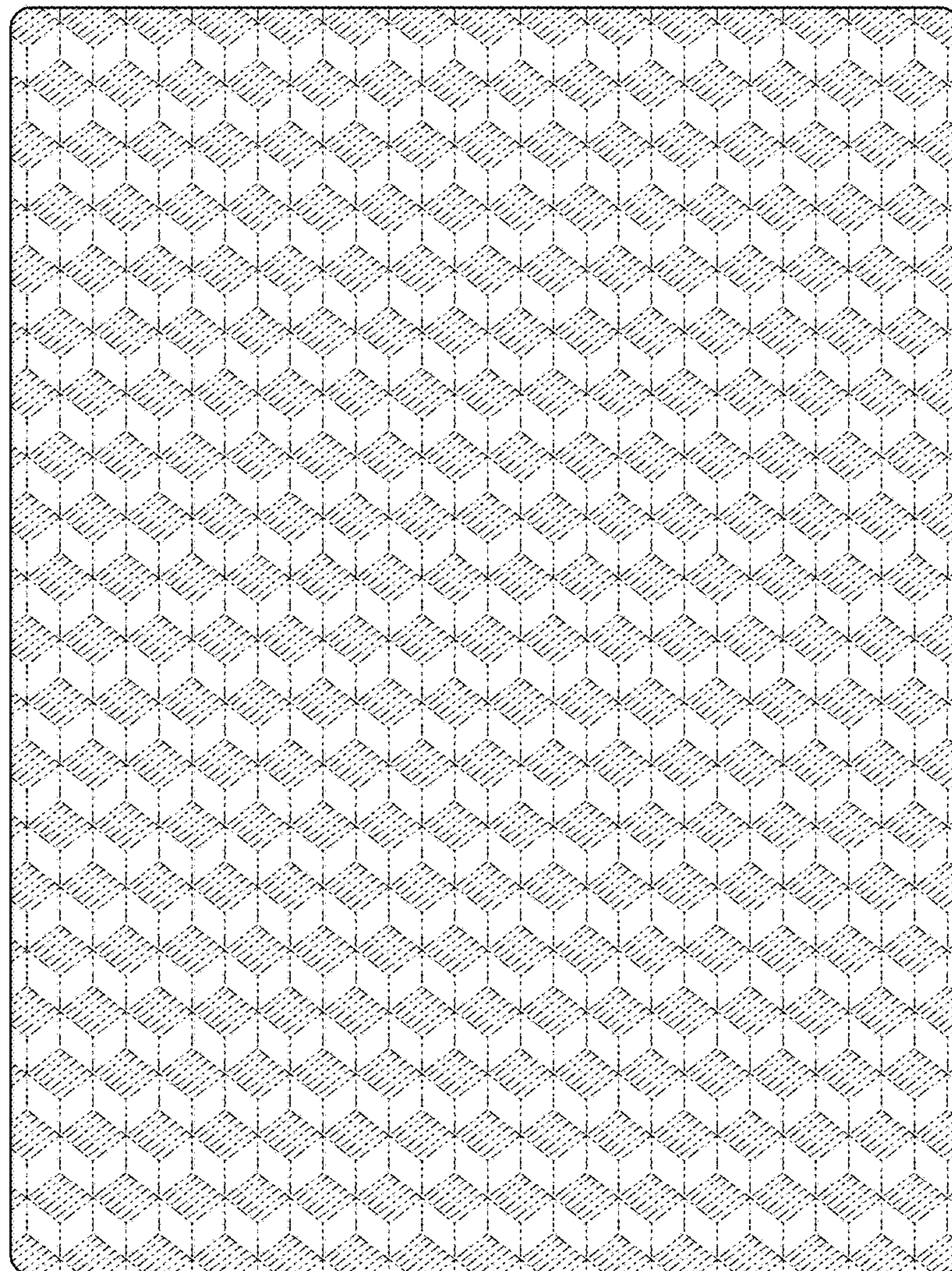
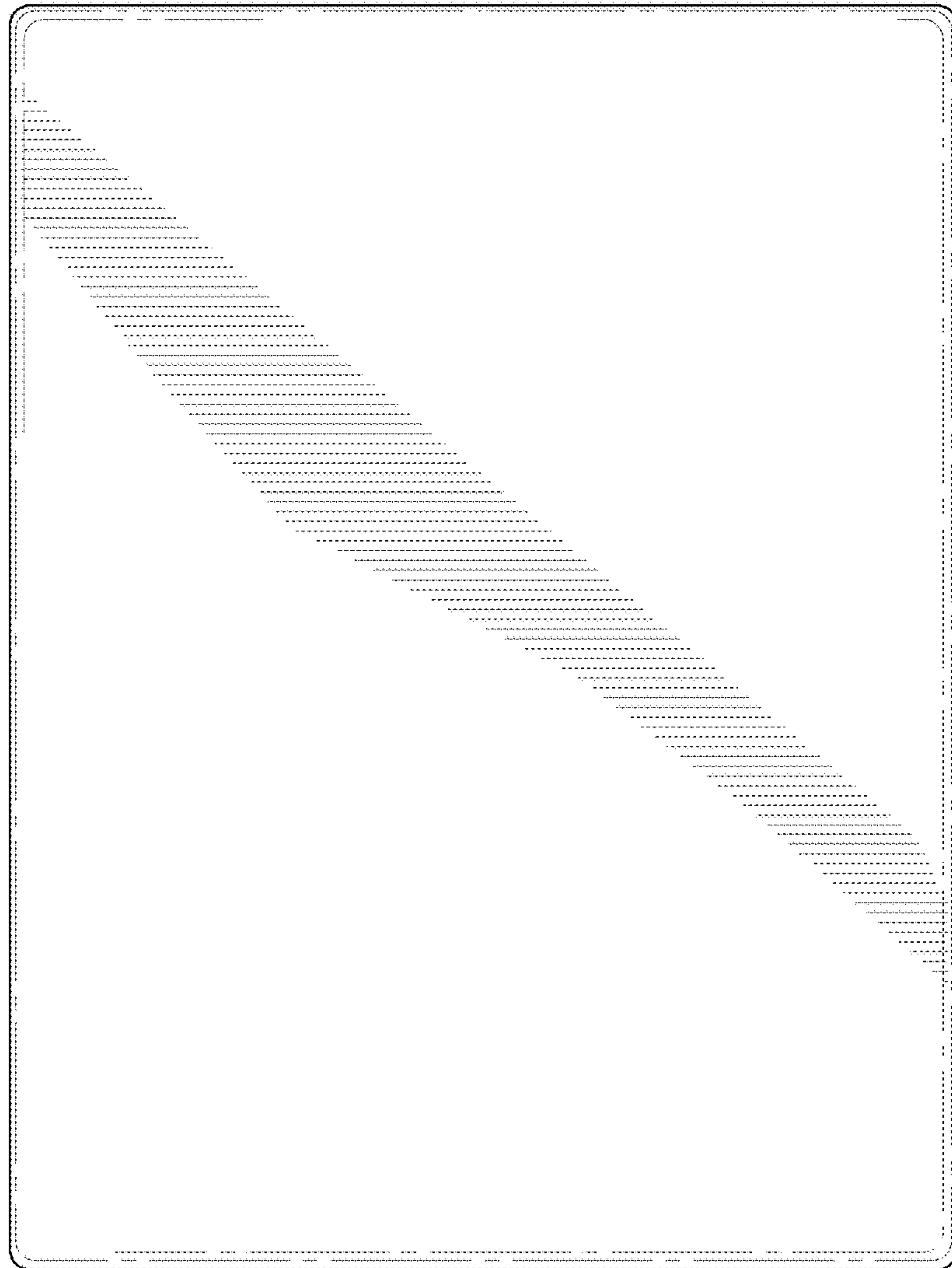


FIG. 5





**FIG. 6**



**FIG. 7**