



US00D864610S

(12) **United States Design Patent**
Lonstein

(10) **Patent No.:** **US D864,610 S**

(45) **Date of Patent:** **** *Oct. 29, 2019**

(54) **MATTRESS**

(71) Applicant: **Jeffco Fibres, Inc.**, Webster, MA (US)

(72) Inventor: **Eric Lonstein**, Webster, MA (US)

(73) Assignee: **Jeffco Fibres, Inc.**, Webster, MA (US)

(*) Notice: This patent is subject to a terminal disclaimer.

(**) Term: **15 Years**

(21) Appl. No.: **29/640,107**

(22) Filed: **Mar. 12, 2018**

(51) **LOC (12) Cl.** **06-09**

(52) **U.S. Cl.**
USPC **D6/596**

(58) **Field of Classification Search**

USPC D6/595, 596, 604–606, 118, 902, 720;
5/413 AM, 420, 690, 691, 697–701, 706,
5/716–718, 722, 737, 740
CPC A47C 23/00; A47C 27/00; A47C 27/001;
A47C 27/05; A47C 27/053; A47C
27/056; A47C 27/06; A47C 27/14; A47C
27/142

See application file for complete search history.

(56) **References Cited**

U.S. PATENT DOCUMENTS

1,018,685 A * 2/1912 Smith A47C 27/05
5/642
2,973,526 A * 3/1961 Wetzler A47C 21/022
5/737
D394,366 S * 5/1998 Graebe 5/653
D659,459 S * 5/2012 Jung D6/605
D665,615 S * 8/2012 Frame, Jr. D6/606

D687,249 S * 8/2013 Price D6/605
D707,983 S * 7/2014 Hughes D6/605
D707,986 S * 7/2014 Arnold D6/605
D763,013 S * 8/2016 Arnold D6/606

FOREIGN PATENT DOCUMENTS

CH 313521 A * 4/1956 A47C 27/05
FR 1100124 A * 9/1955 A47C 27/05

* cited by examiner

Primary Examiner — R. Johnson

(74) Attorney, Agent, or Firm — Burns & Levinson, LLP

(57) **CLAIM**

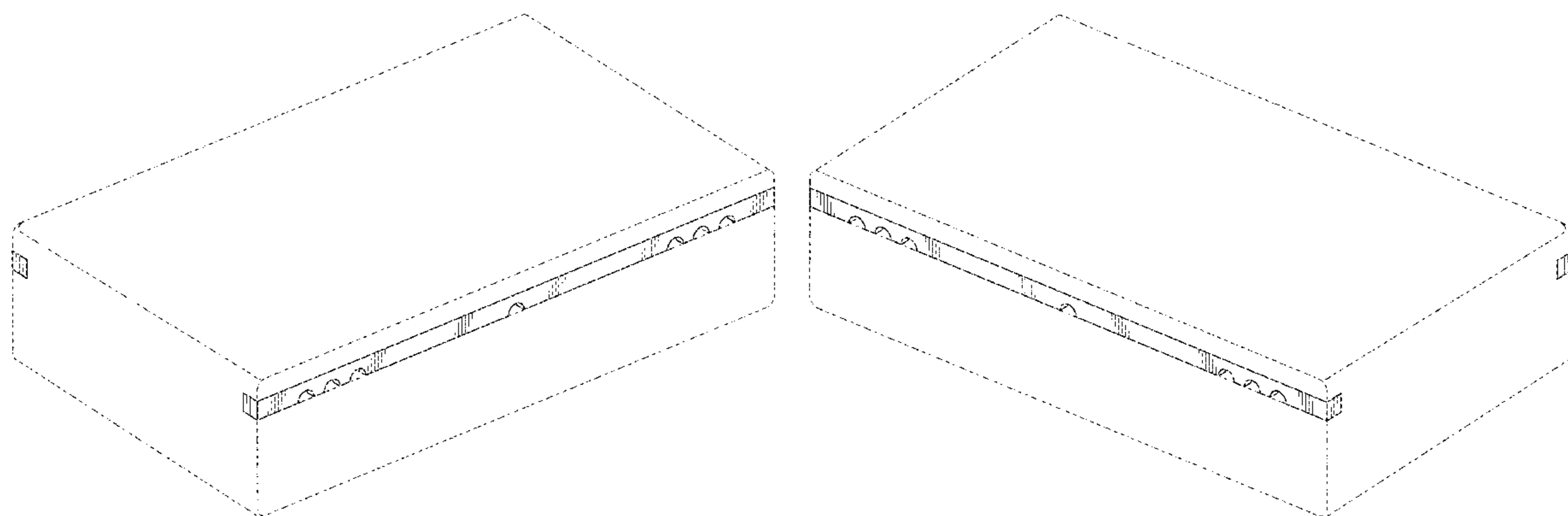
The ornamental design for a mattress, as shown and described.

DESCRIPTION

FIG. 1 is a top end perspective view of a mattress in accordance with the new design;
FIG. 2 is a top opposite end perspective view of the mattress illustrated in FIG. 1;
FIG. 3 is an end elevational view of the mattress illustrated in FIG. 1, the opposite end is identical;
FIG. 4 is a left side elevational view of the mattress illustrated in FIG. 1;
FIG. 5 is a right side elevational view of the mattress illustrated in FIG. 1;
FIG. 6 is a top plan view of the mattress illustrated in FIG. 1;
FIG. 7 is a bottom plan view of the mattress illustrated in FIG. 1; and,
FIG. 8 is a cross-sectional view taken from line '8-8' in FIG. 6.

Any broken line illustration of environmental structure in the drawing is not part of the design sought to be patented.

1 Claim, 7 Drawing Sheets



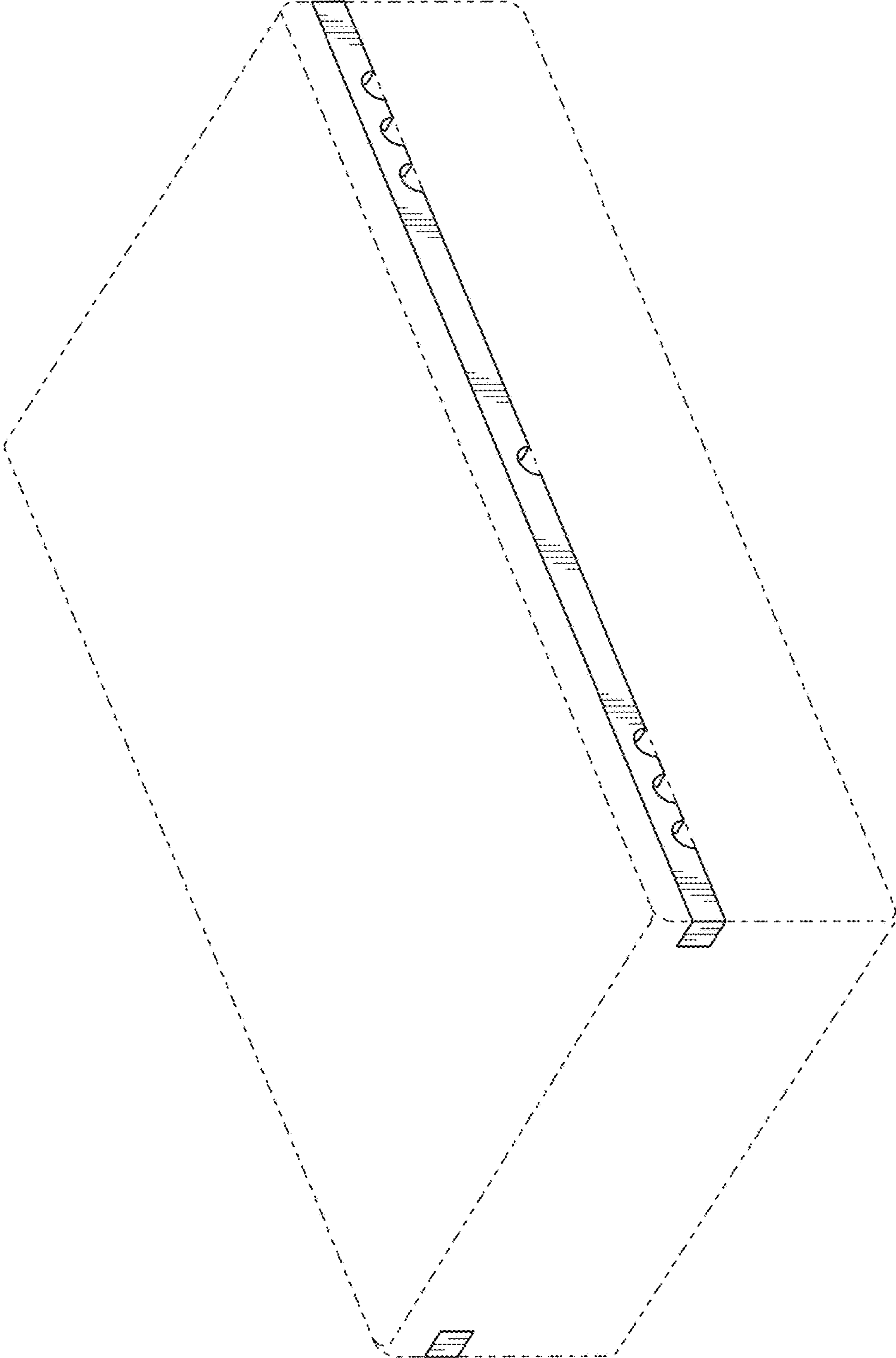


FIG. 1

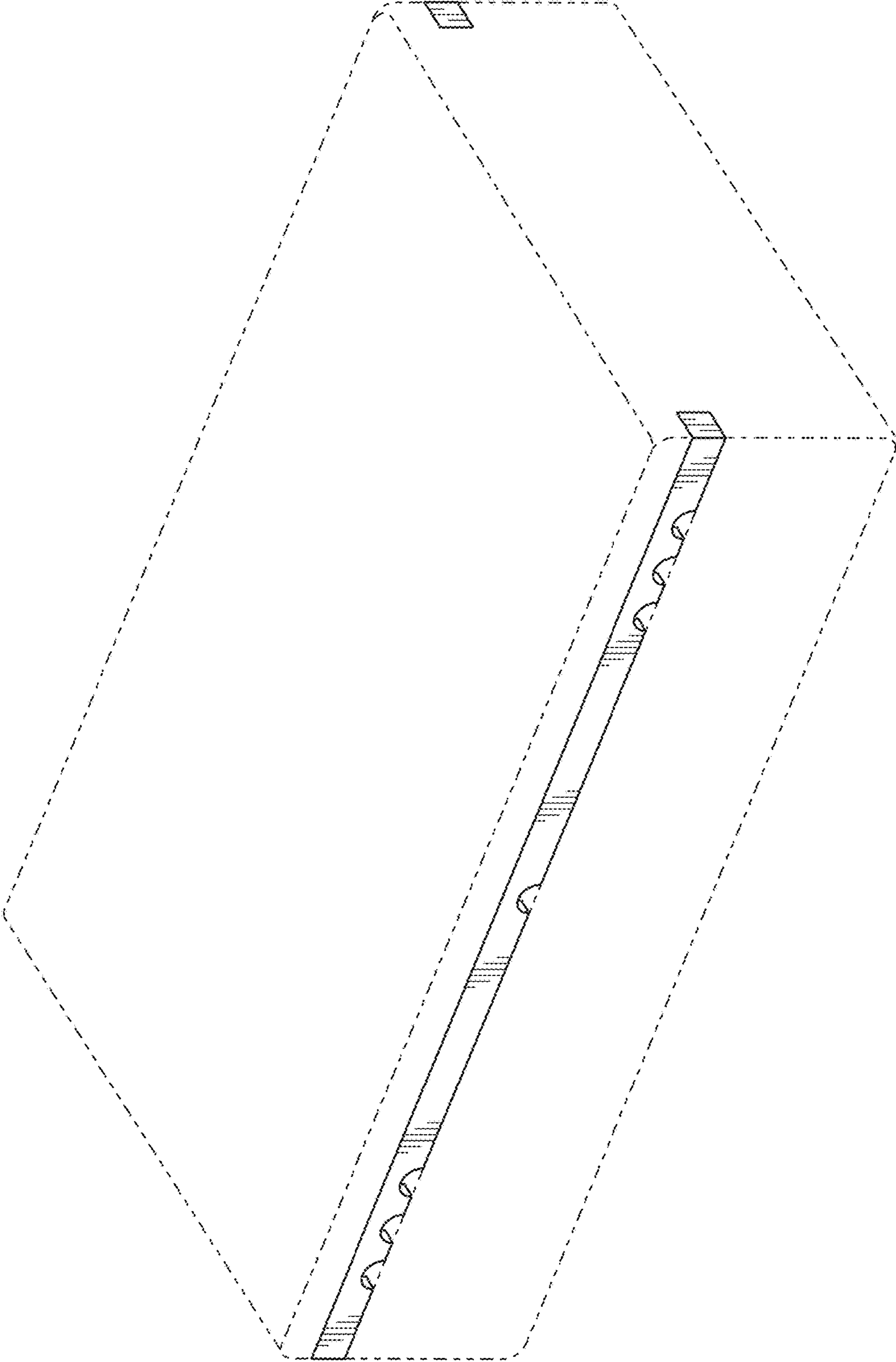


FIG. 2

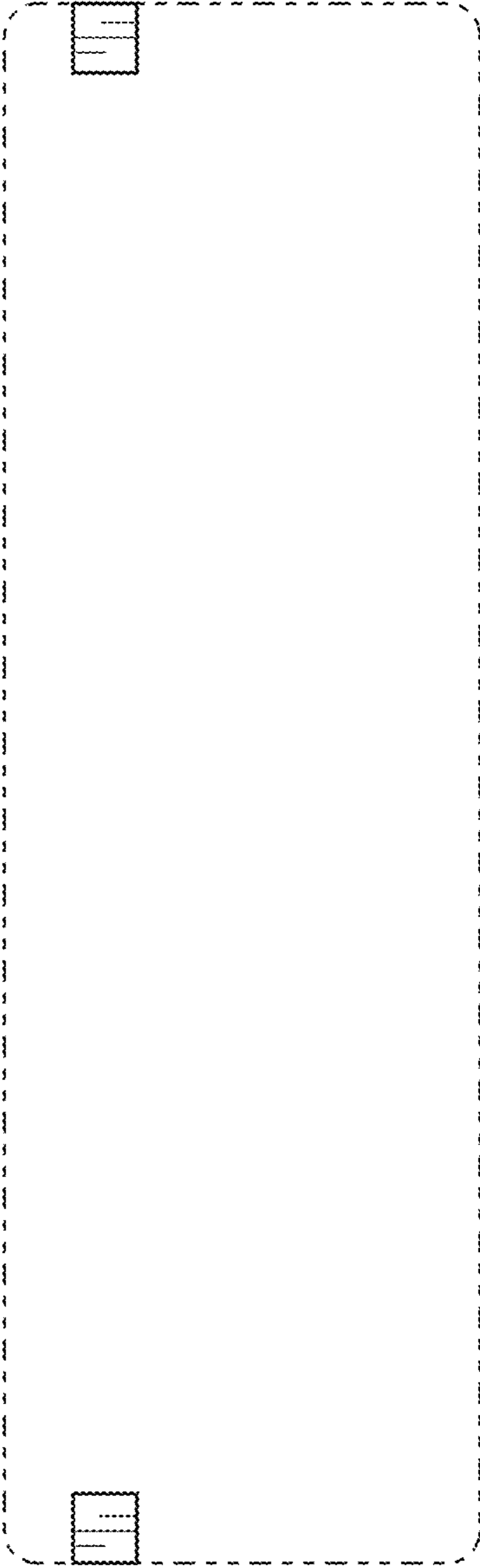


FIG. 3

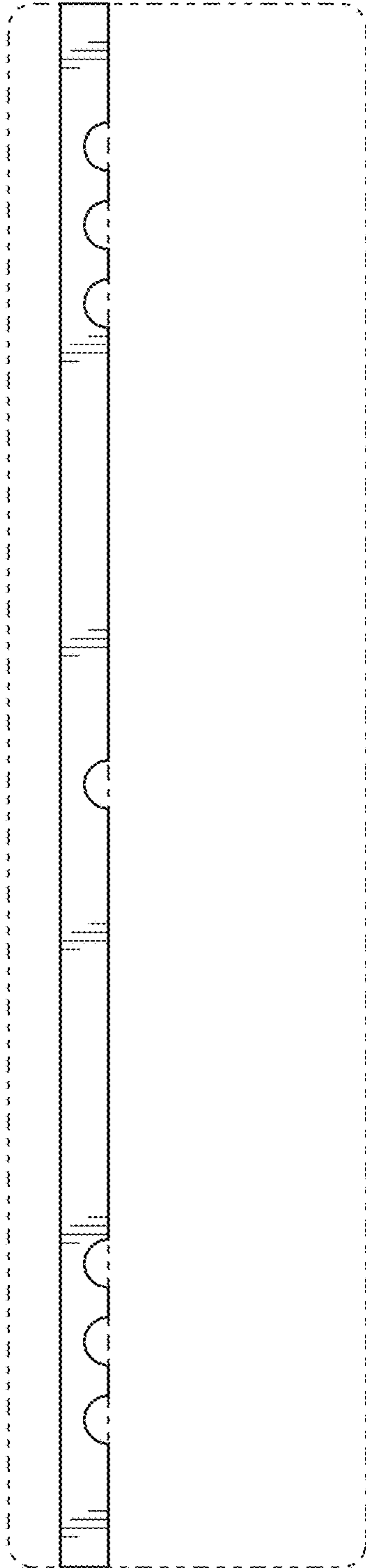


FIG. 4

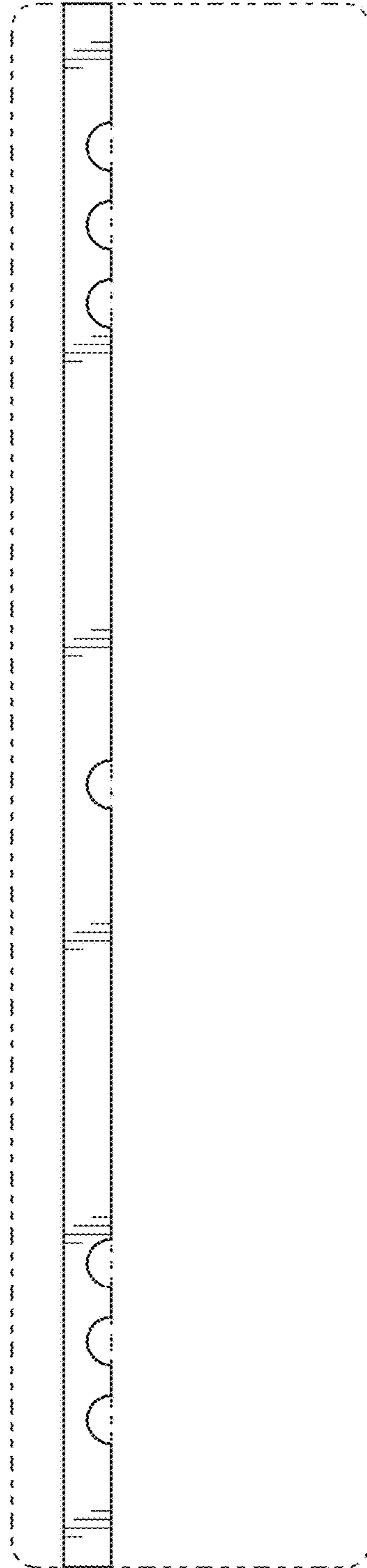


FIG. 5

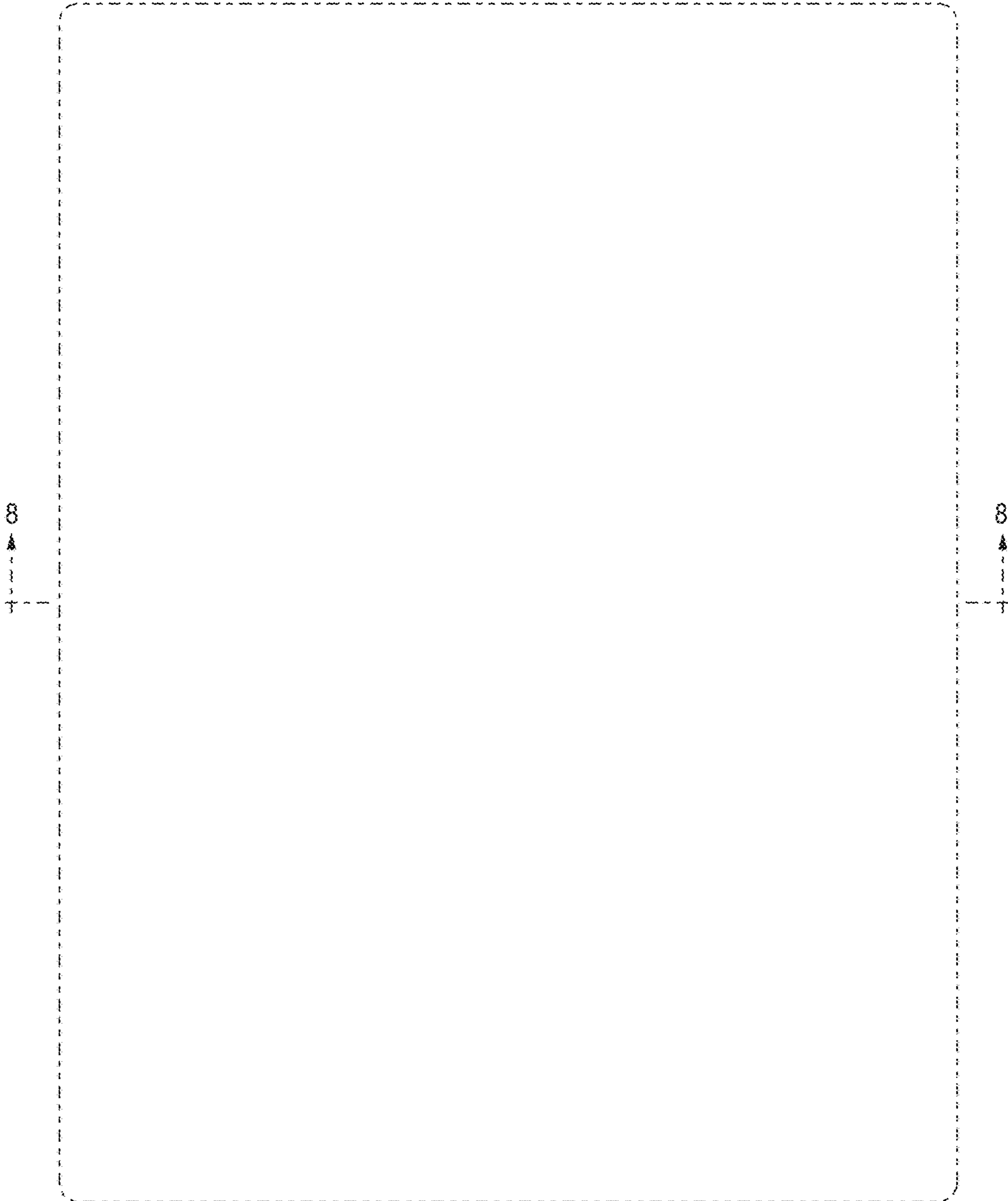


FIG. 6

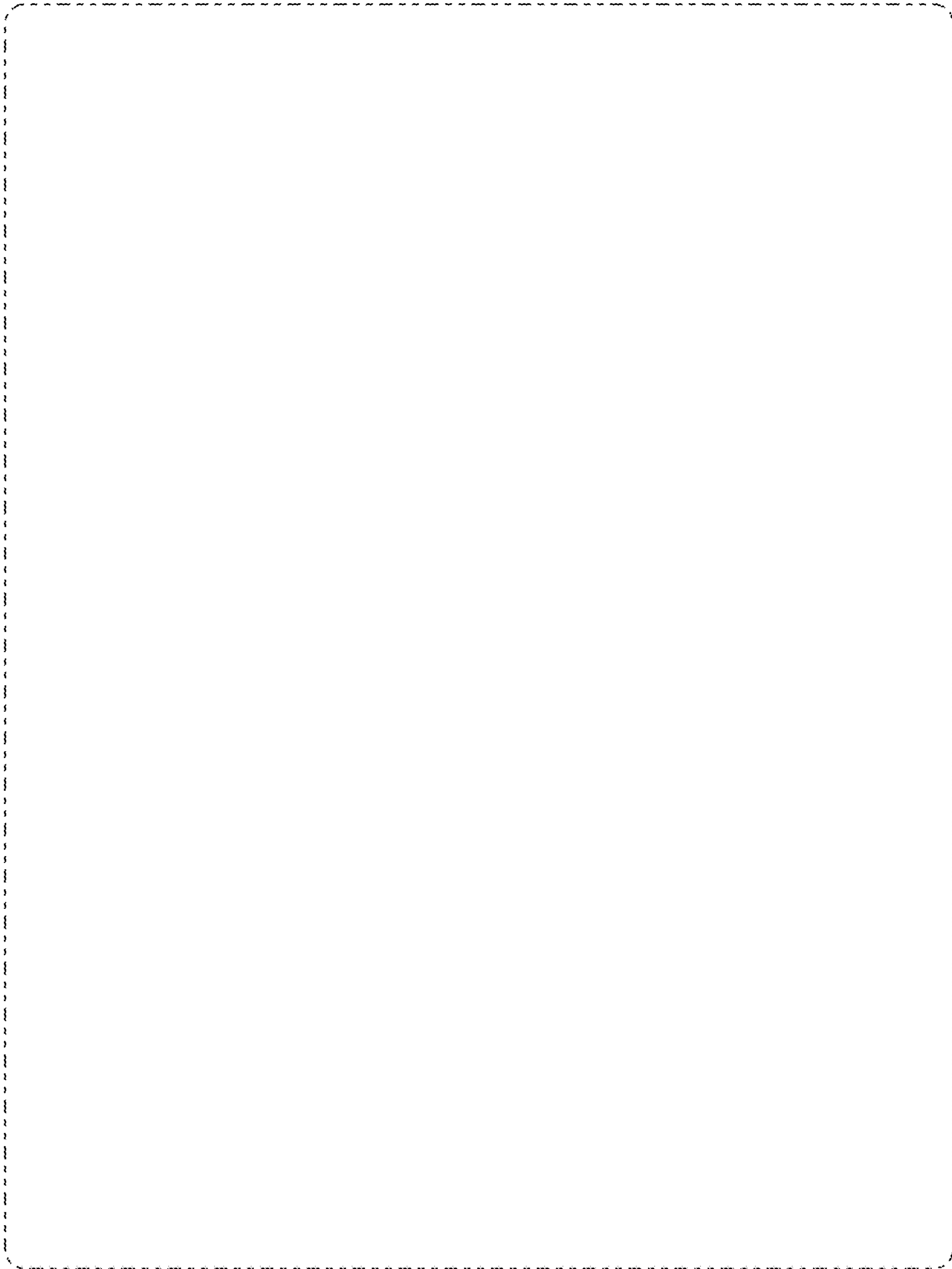


FIG. 7

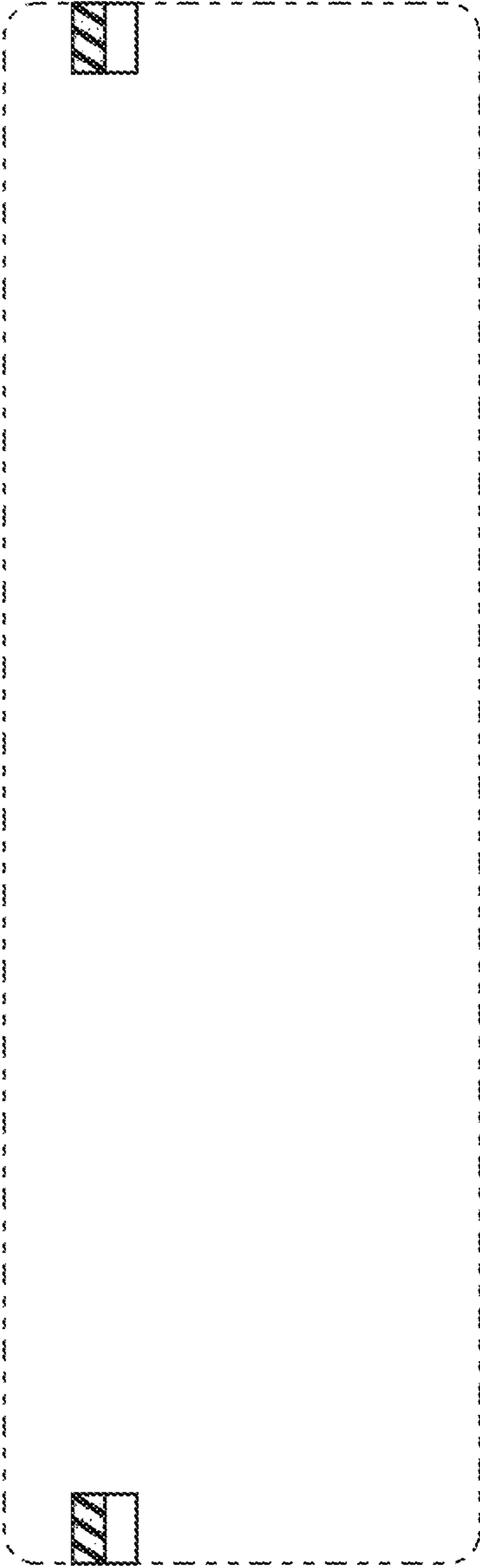


FIG. 8