



US00D864608S

(12) **United States Design Patent** (10) **Patent No.:** **US D864,608 S**
Kergoët (45) **Date of Patent:** **** Oct. 29, 2019**

(54) **VANITY**

(71) Applicant: **Kohler Co.**, Kohler, WI (US)

(72) Inventor: **François Kergoët**, Malakoff (FR)

(73) Assignee: **KOHLER CO.**, Kohler, WI (US)

(**) Term: **15 Years**

(21) Appl. No.: **29/645,863**

(22) Filed: **Apr. 30, 2018**

(51) **LOC (12) Cl.** **23-02**

(52) **U.S. Cl.**

USPC **D6/571**; D23/286

(58) **Field of Classification Search**

USPC D23/286, 308; D6/653.1, 663, 666, 671,
D6/671.1, 709, 688.21, 657

CPC A47B 220/12; A47B 77/06; A47B 88/40

See application file for complete search history.

(56) **References Cited**

U.S. PATENT DOCUMENTS

2,836,831	A *	6/1958	Hurwitz	E03C 1/33 4/631
D189,041	S *	10/1960	Knudsen	D6/671
D220,442	S *	4/1971	Beavers	D6/671
D271,733	S *	12/1983	Daventry	D6/657
D544,588	S *	6/2007	Kirar	D23/308
D727,477	S *	4/2015	Mayer	D23/286
9,204,721	B2 *	12/2015	Gasser	A47B 88/40
D771,415	S *	11/2016	Chen	D6/657
D784,736	S *	4/2017	Chen	D6/671.1
D790,883	S *	7/2017	Schonherr	D6/663
D824,193	S *	7/2018	Poulton	D6/663
D851,426	S *	6/2019	Saotome	D6/663

OTHER PUBLICATIONS

New Space Collection Vanity Set, Grey Oak, listed for sale on Amazon, <https://www.amazon.com/ACF-ANS189-637509931926-Space-Collection-Vanity/dp/B00JFZ4A2A> (Year: 2019).*

* cited by examiner

Primary Examiner — Robert A Delehanty

(74) *Attorney, Agent, or Firm* — Foley & Lardner LLP

(57) **CLAIM**

I claim the ornamental design for a vanity, as shown and described.

DESCRIPTION

FIG. 1 is a perspective view of an embodiment of the claimed design;

FIG. 2 is a front view of the claimed design shown in FIG. 1;

FIG. 3 is a rear view of the claimed design shown in FIG. 1;

FIG. 4 is a top view of the claimed design shown in FIG. 1;

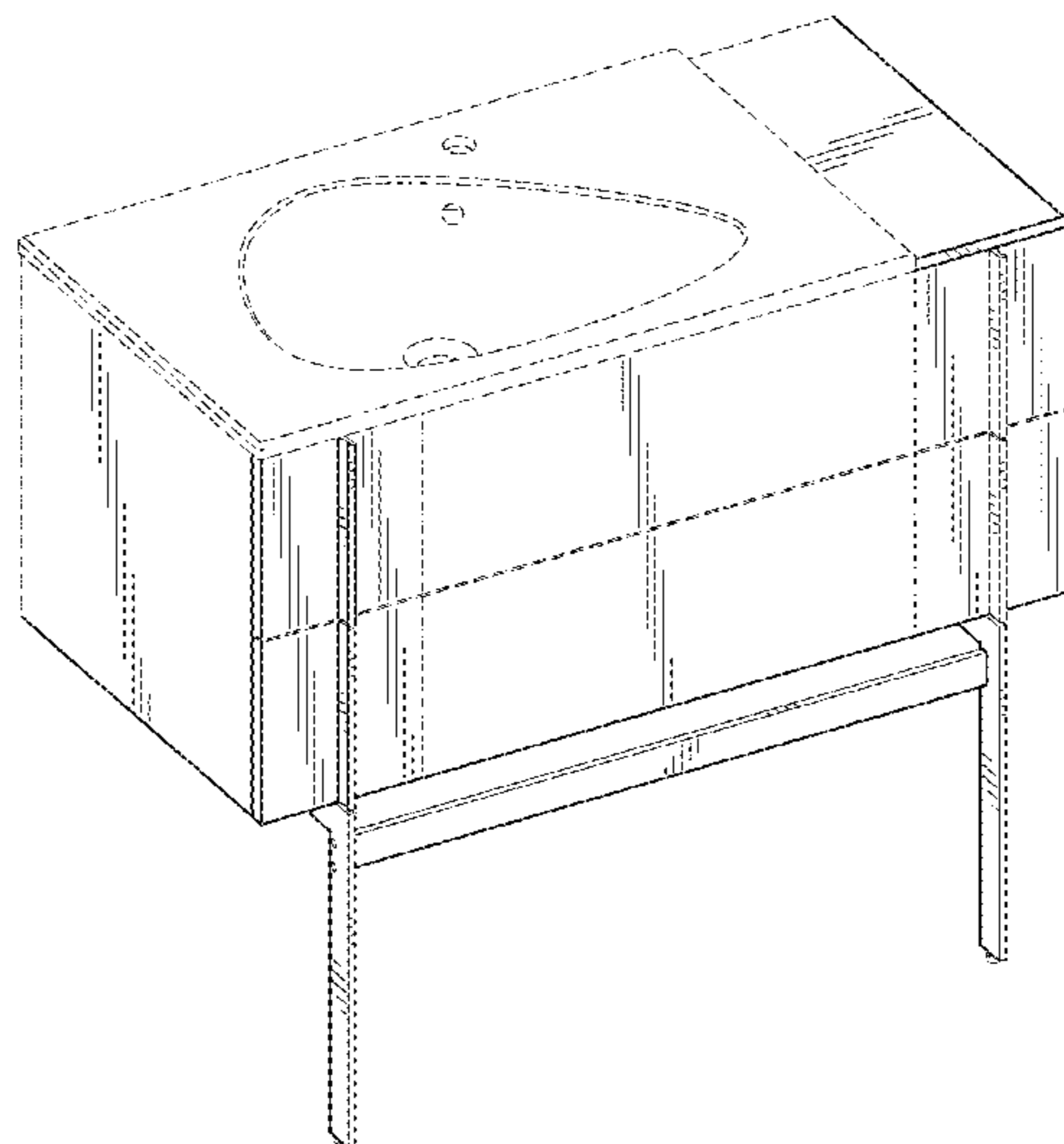
FIG. 5 is a bottom view of the claimed design shown in FIG. 1;

FIG. 6 is a side view of the claimed design shown in FIG. 1; and,

FIG. 7 is another side view of the claimed design shown in FIG. 1.

The ornamental design that is claimed is shown in the drawings as solid lines and surfaces having surface shading. The broken lines in the drawings are for illustrative purposes only and form no part of the claimed design. For example, broken lines formed by equal length dashes show unclaimed portions of the design.

1 Claim, 5 Drawing Sheets



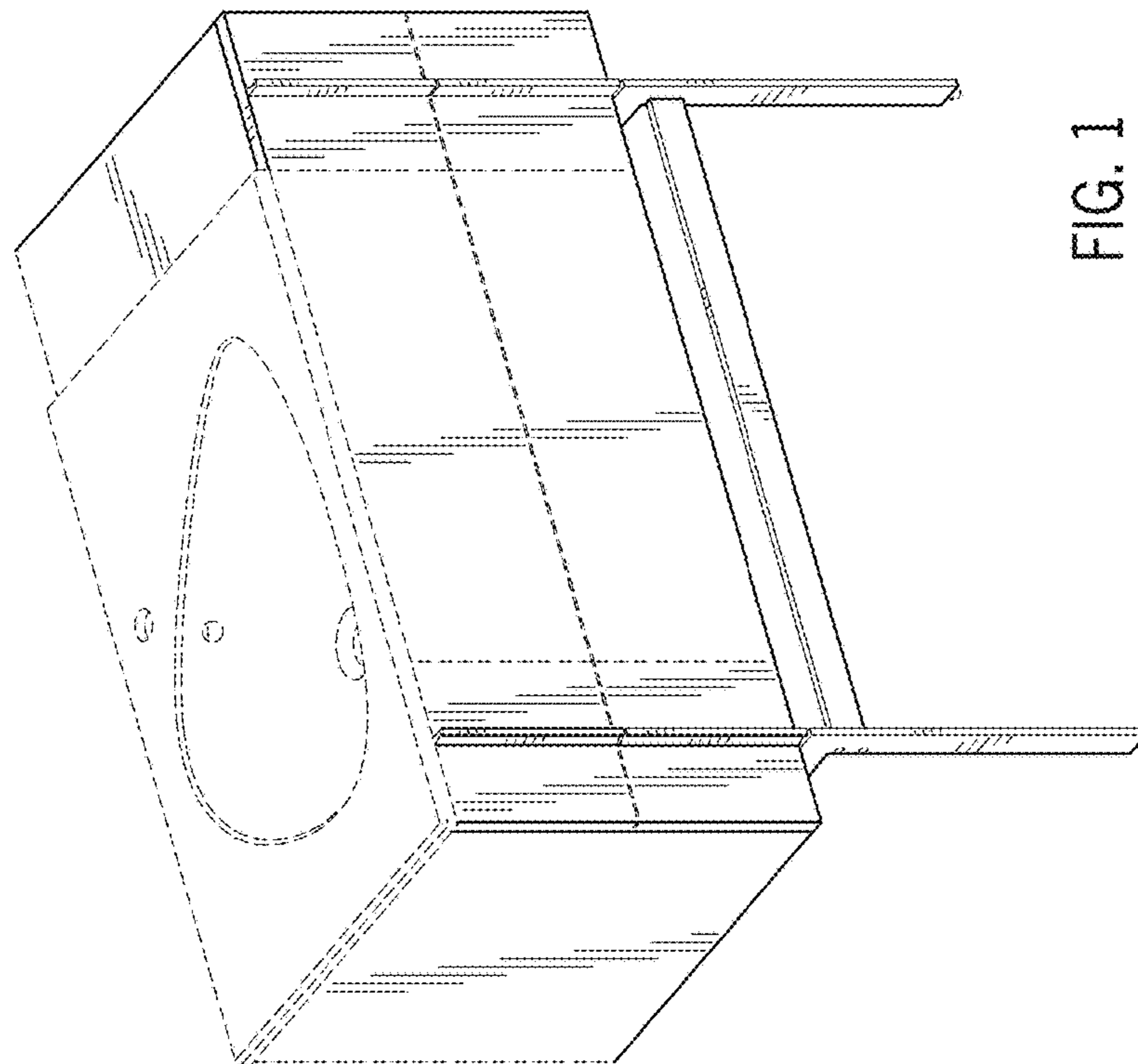


FIG. 1

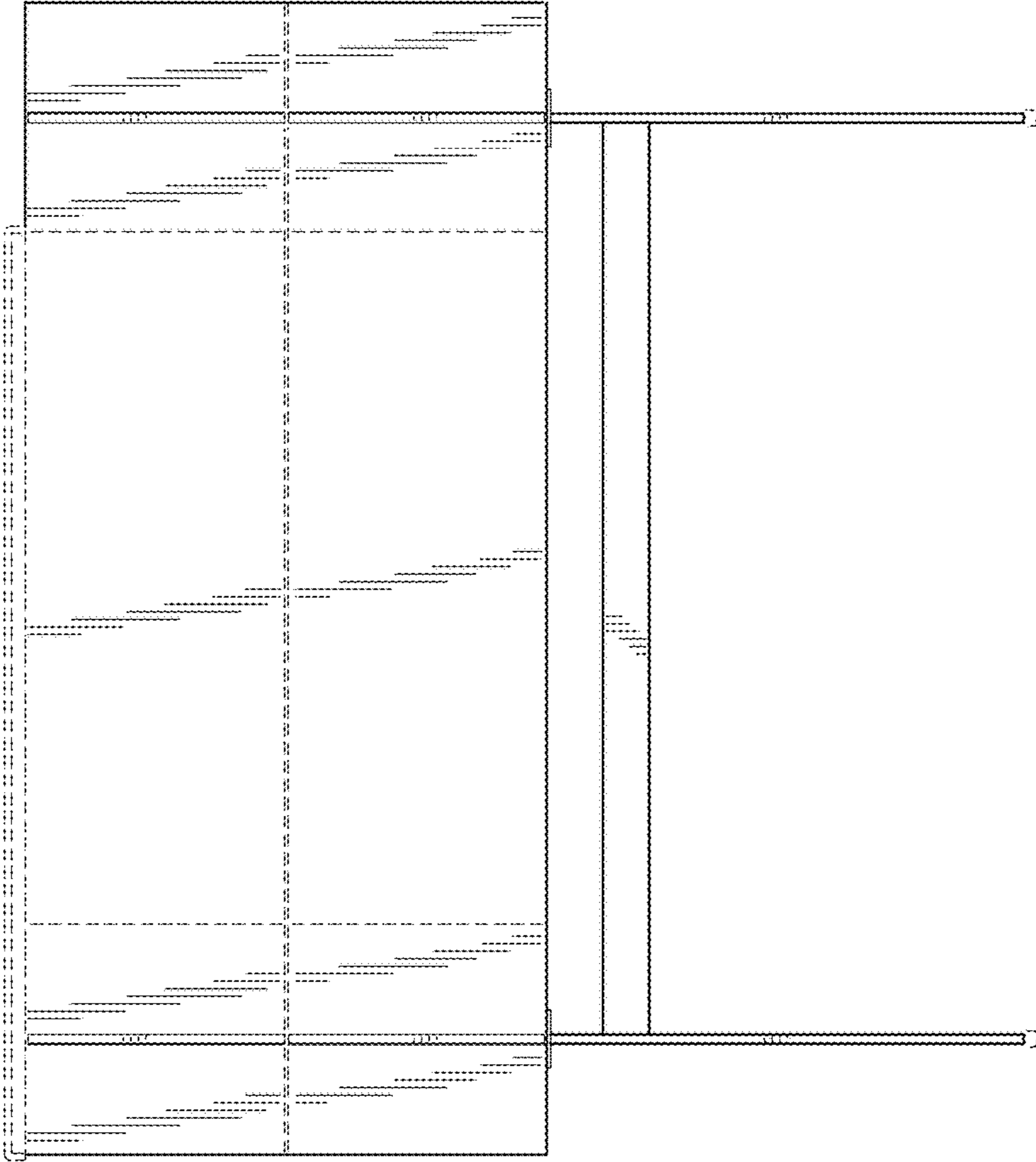


FIG. 2

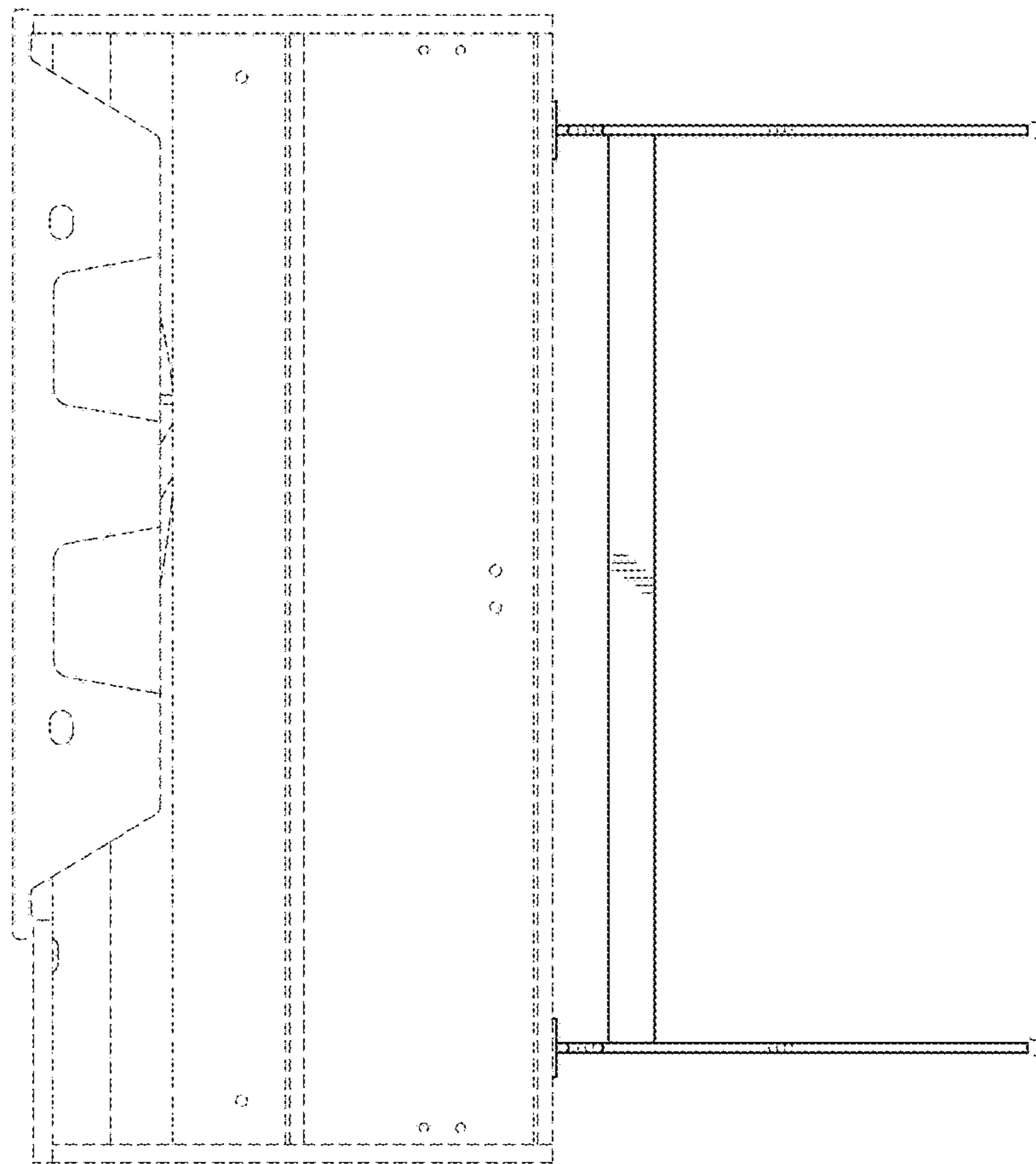


FIG. 3

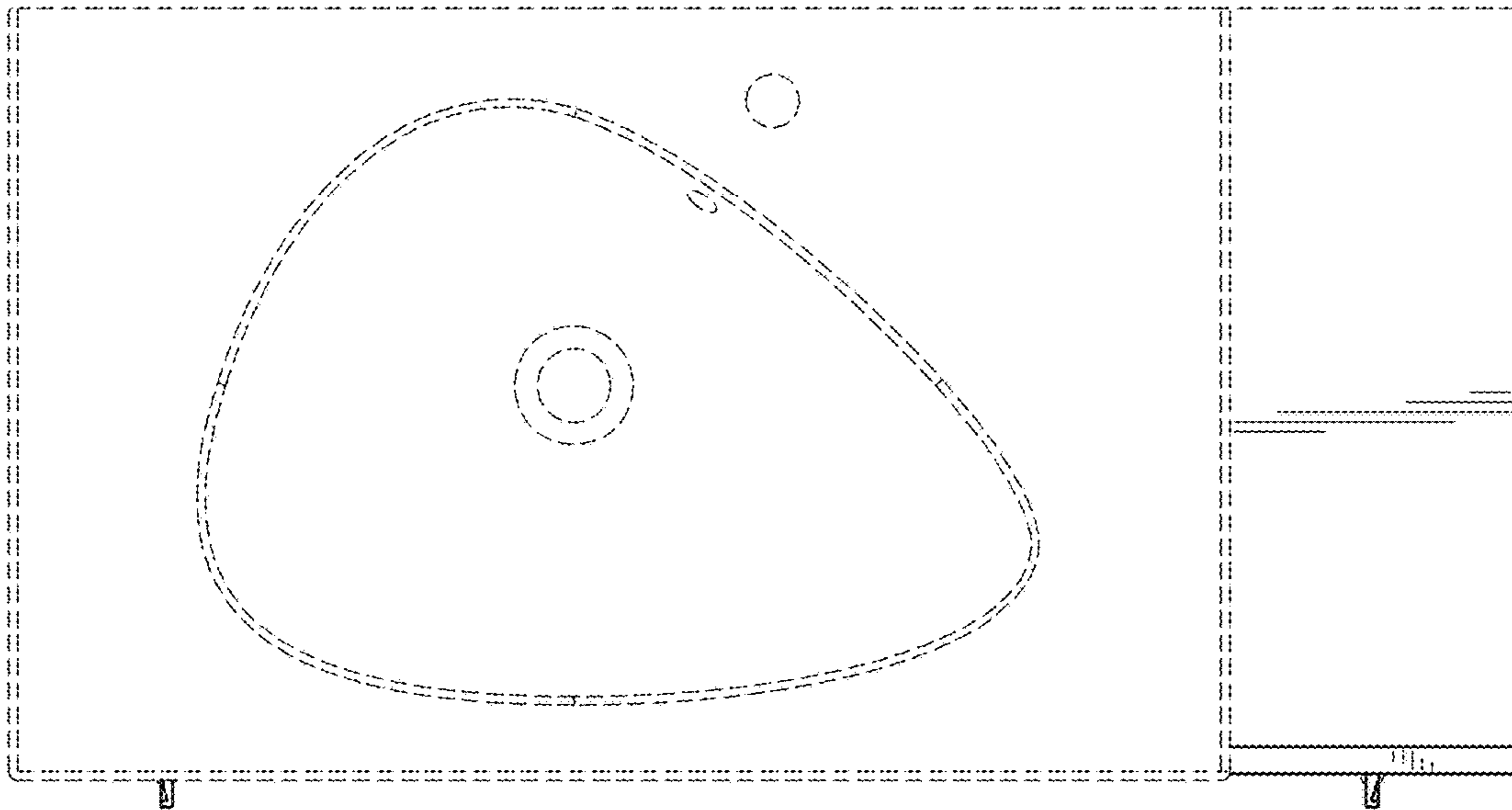


FIG. 4

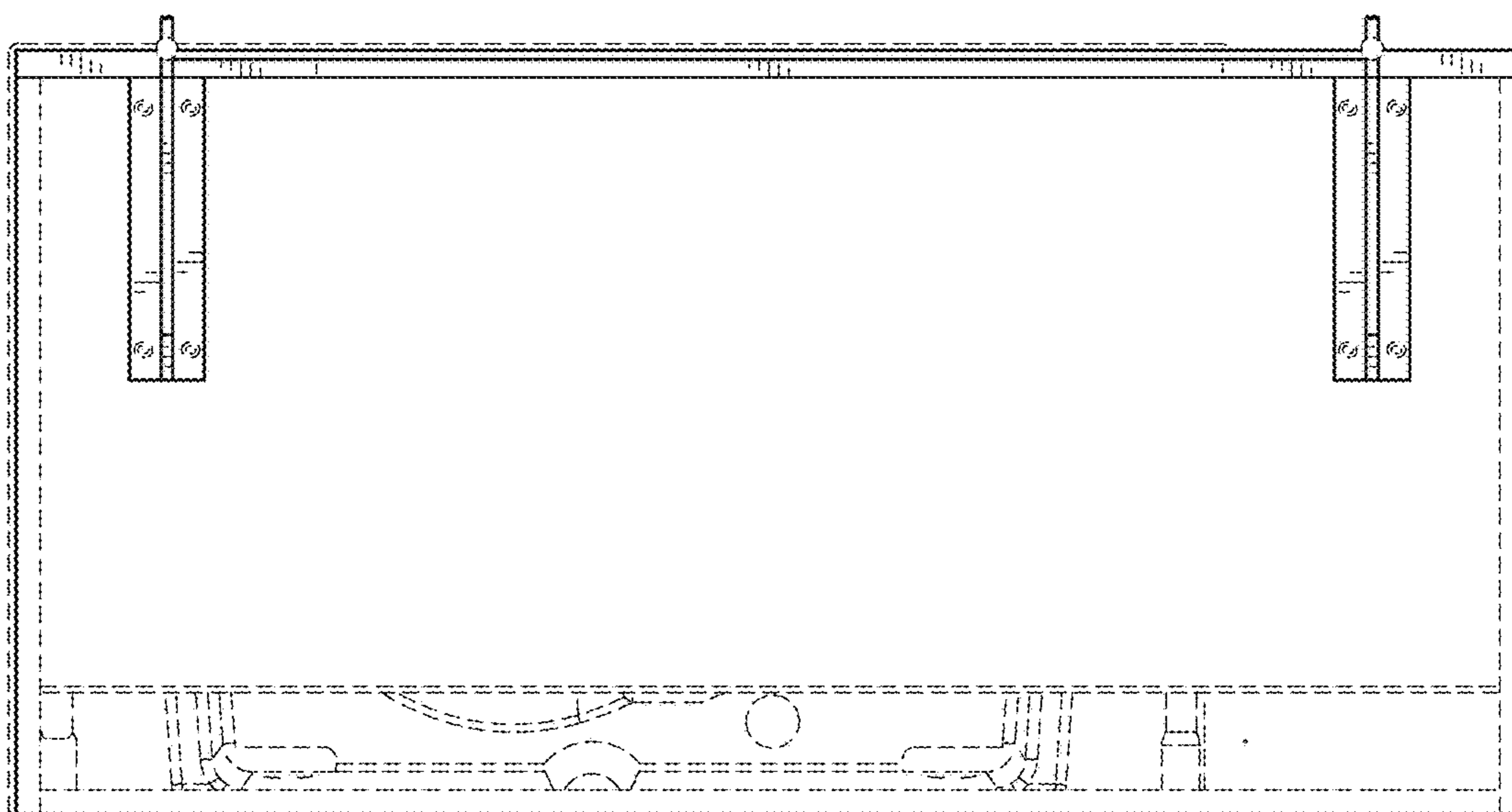


FIG. 5

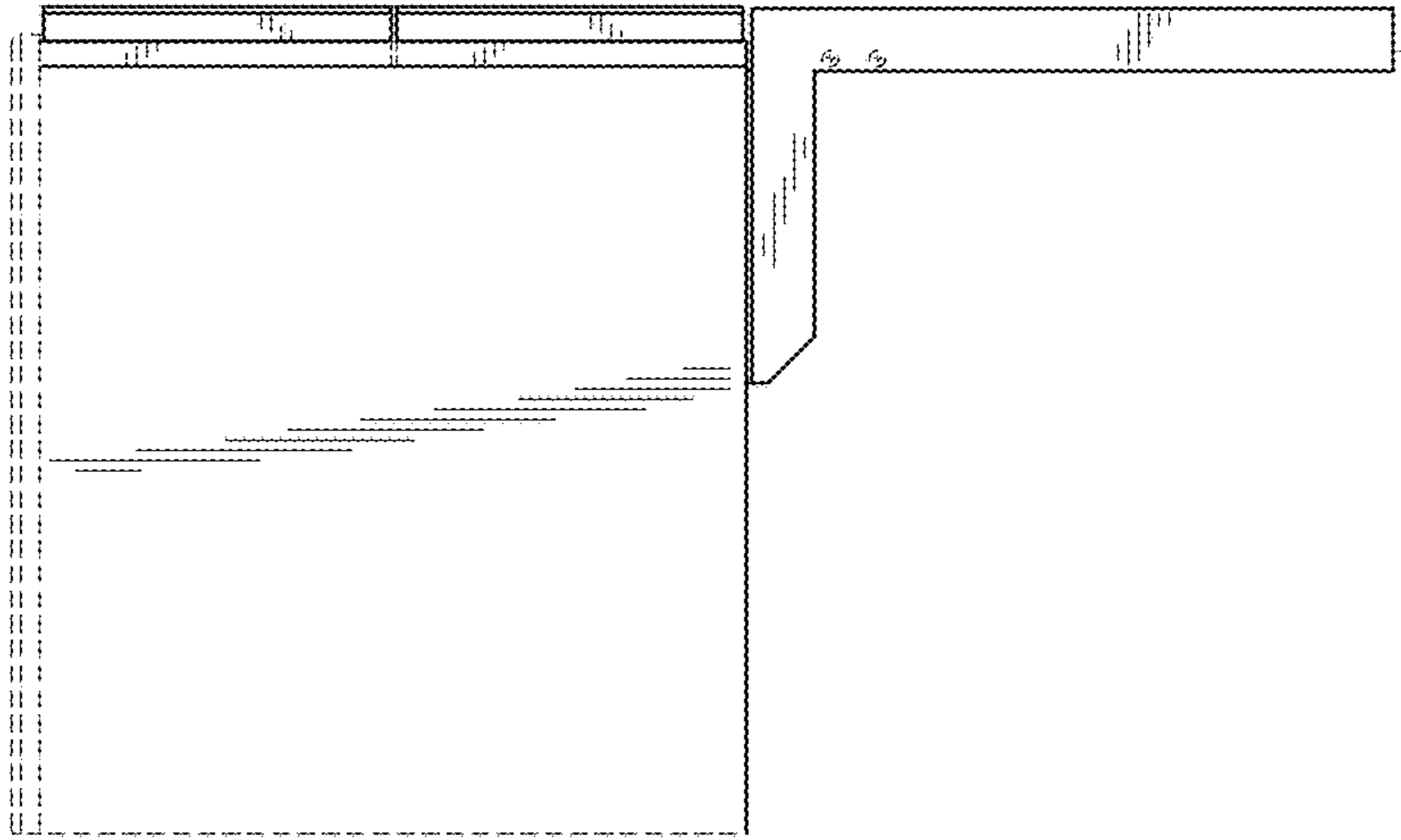


FIG. 7

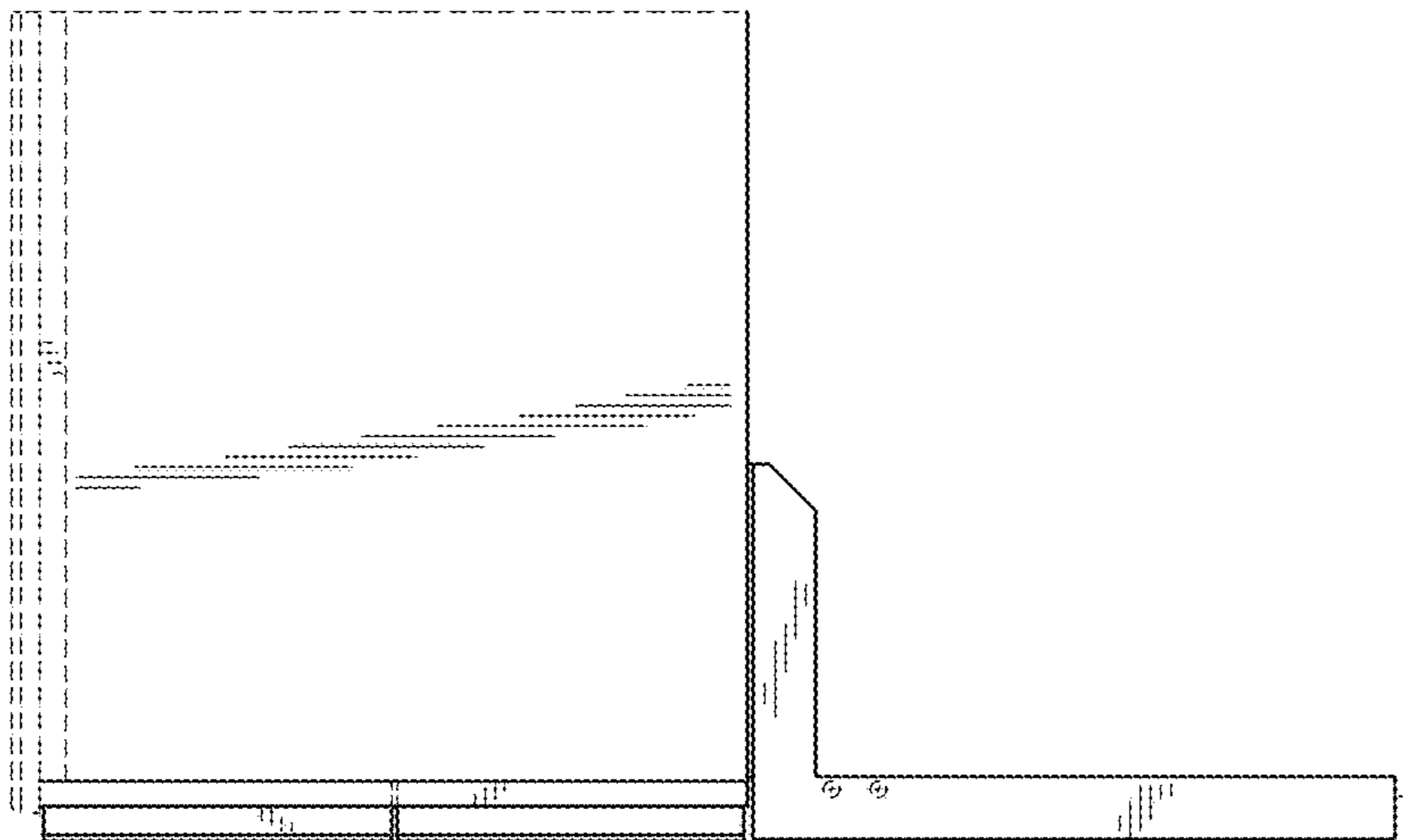


FIG. 6