



US00D864606S

(12) **United States Design Patent** (10) **Patent No.:** **US D864,606 S**  
**Barnett** (45) **Date of Patent:** **\*\* Oct. 29, 2019**

(54) **PAPER TOWEL DISPENSER**  
(71) Applicant: **Sterile Standard, Inc.**, Northridge, CA (US)  
(72) Inventor: **Donavin Barnett**, Northridge, CA (US)  
(\*\*) Term: **15 Years**

9,271,611 B2 3/2016 Stratmann  
9,370,283 B2 6/2016 Fellhoelter  
9,398,833 B2 7/2016 Saffran  
D807,663 S \* 1/2018 Taylor ..... D6/522  
2013/0240554 A1 9/2013 Strählin et al.  
2015/0066207 A1 3/2015 Erb  
2015/0090832 A1 4/2015 Case et al.

(21) Appl. No.: **29/650,416**  
(22) Filed: **Jun. 6, 2018**  
(51) **LOC (12) Cl.** ..... **06-04**  
(52) **U.S. Cl.**  
USPC ..... **D6/522**  
(58) **Field of Classification Search**  
USPC ..... D6/522, 523, 515-521, 524; D8/349, D8/354, 363, 373, 394; D23/225; 206/77.1, 13.1, 86.01, 87.01; 221/14, 92, 221/105, 146.1, 146.2, 649; 222/281-282  
CPC ..... A47K 5/12; A47K 5/1205; A47K 5/1202; A47K 5/1207; A47K 10/16; A47K 10/32; A47K 10/34; A47K 10/421; A47K 10/44; B05B 11/3001; C11D 17/08  
See application file for complete search history.

**FOREIGN PATENT DOCUMENTS**

CN 2364887 Y 2/2000  
JP 2000037318 A 2/2000  
KR 2020120005770 2/2011  
WO 2007036130 A1 4/2007  
WO 2016122624 A1 8/2016

\* cited by examiner

*Primary Examiner* — Wan Laymon  
*Assistant Examiner* — Mark Booker  
(74) *Attorney, Agent, or Firm* — Lapple Ubell IP Law, LLP; Matthew C. Lapple

(57) **CLAIM**

The ornamental design for a paper towel dispenser, as shown and described.

(56) **References Cited**

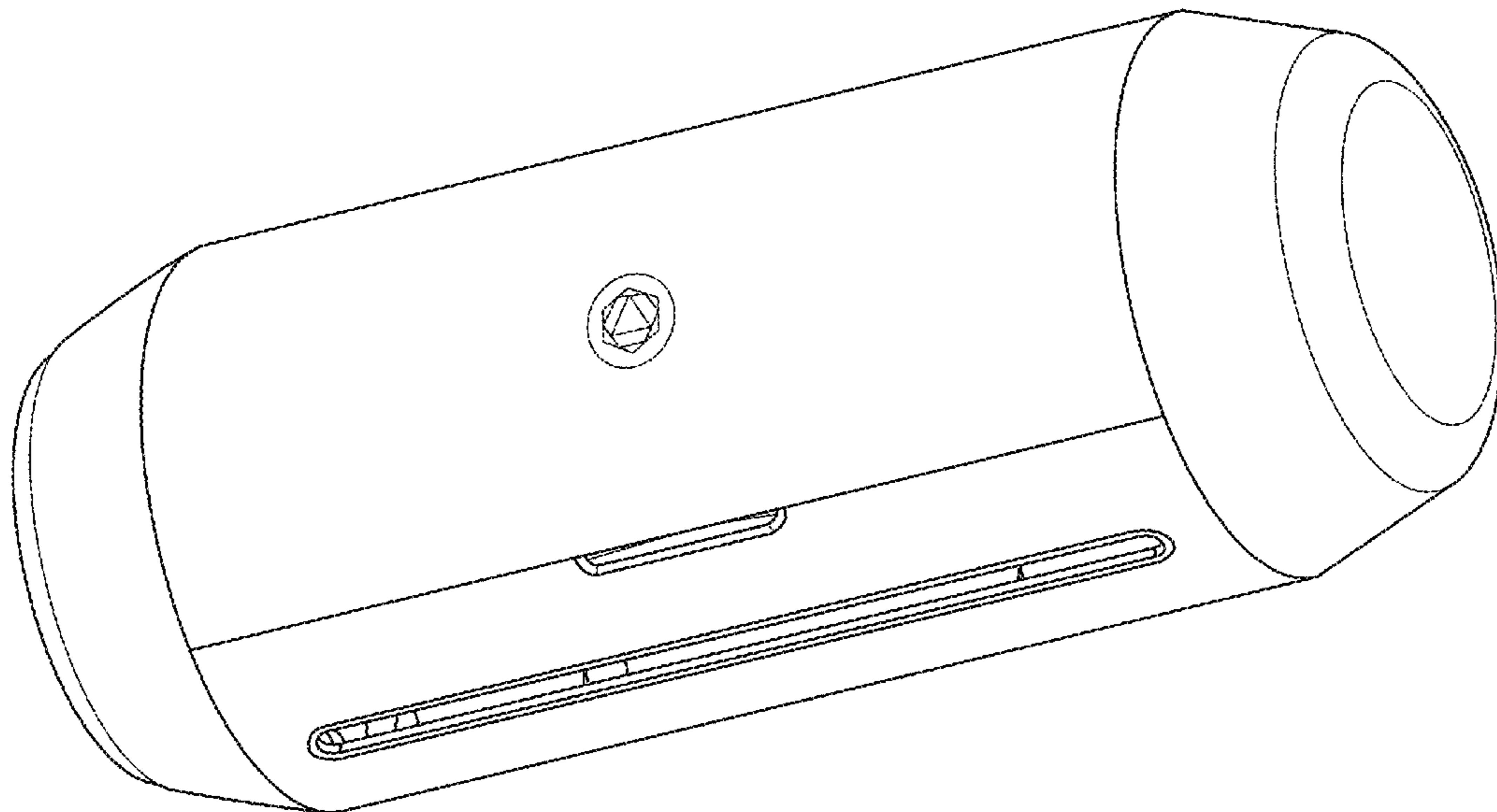
**U.S. PATENT DOCUMENTS**

D316,789 S \* 5/1991 McLaughlin ..... D6/522  
5,411,920 A 5/1995 Shibata  
D372,615 S \* 8/1996 Owens ..... D6/522  
7,044,421 B1 5/2006 Omdoll et al.  
7,370,824 B1 5/2008 Osborne  
7,783,380 B2 8/2010 York et al.  
7,996,108 B2 8/2011 Yardley  
D666,443 S \* 9/2012 Yaros ..... D6/523  
8,297,435 B2 10/2012 Lathem  
8,366,035 B2 2/2013 Kling et al.

**DESCRIPTION**

FIG. 1 is a front bottom perspective view of a paper towel dispenser showing my new design; FIG. 2 is a front view thereof; FIG. 3 is a back view thereof; FIG. 4 is a right side view thereof; FIG. 5 is a left side view thereof; FIG. 6 is a top view thereof; and, FIG. 7 is a bottom view thereof.

**1 Claim, 7 Drawing Sheets**



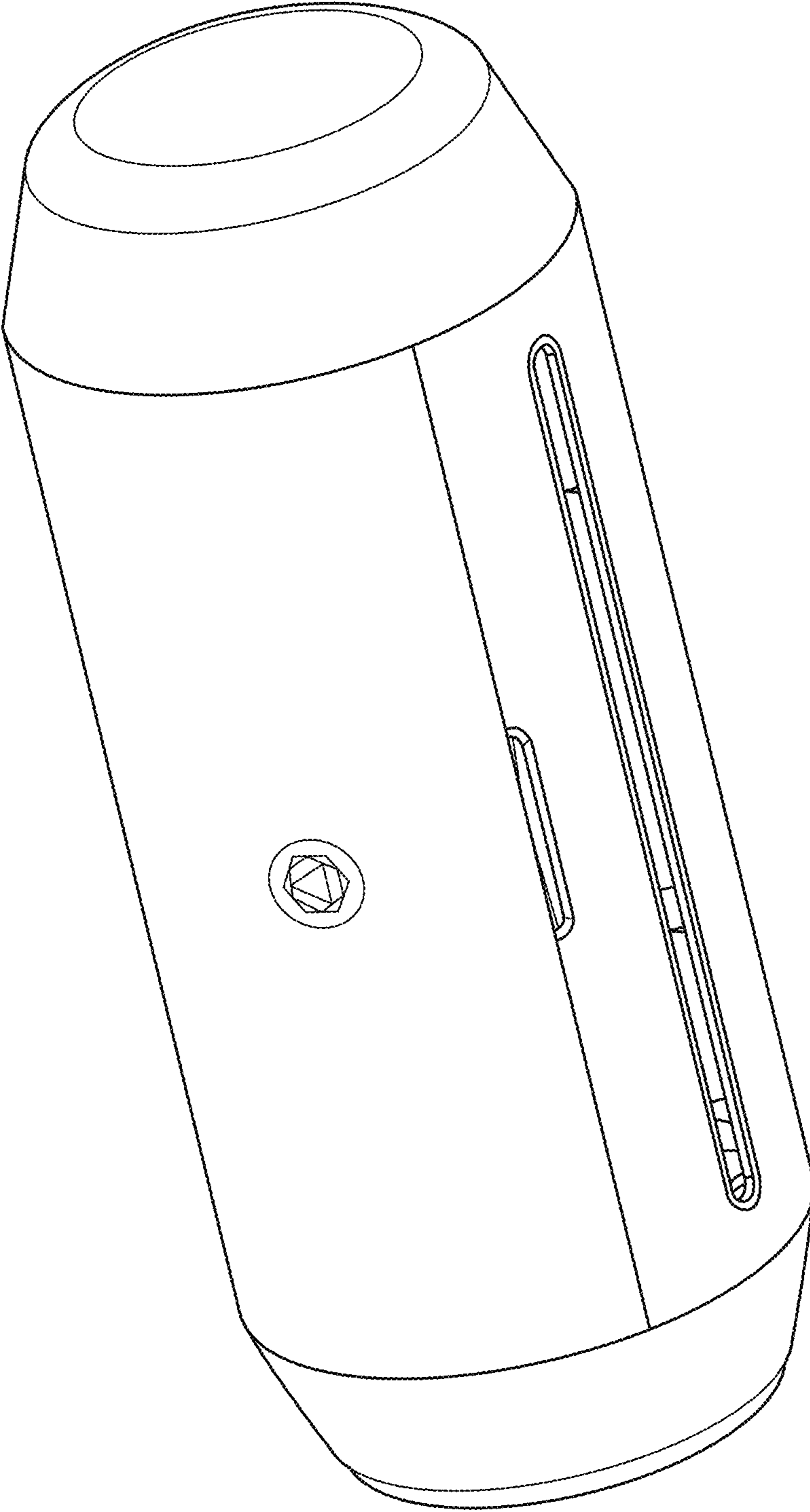


FIG. 1

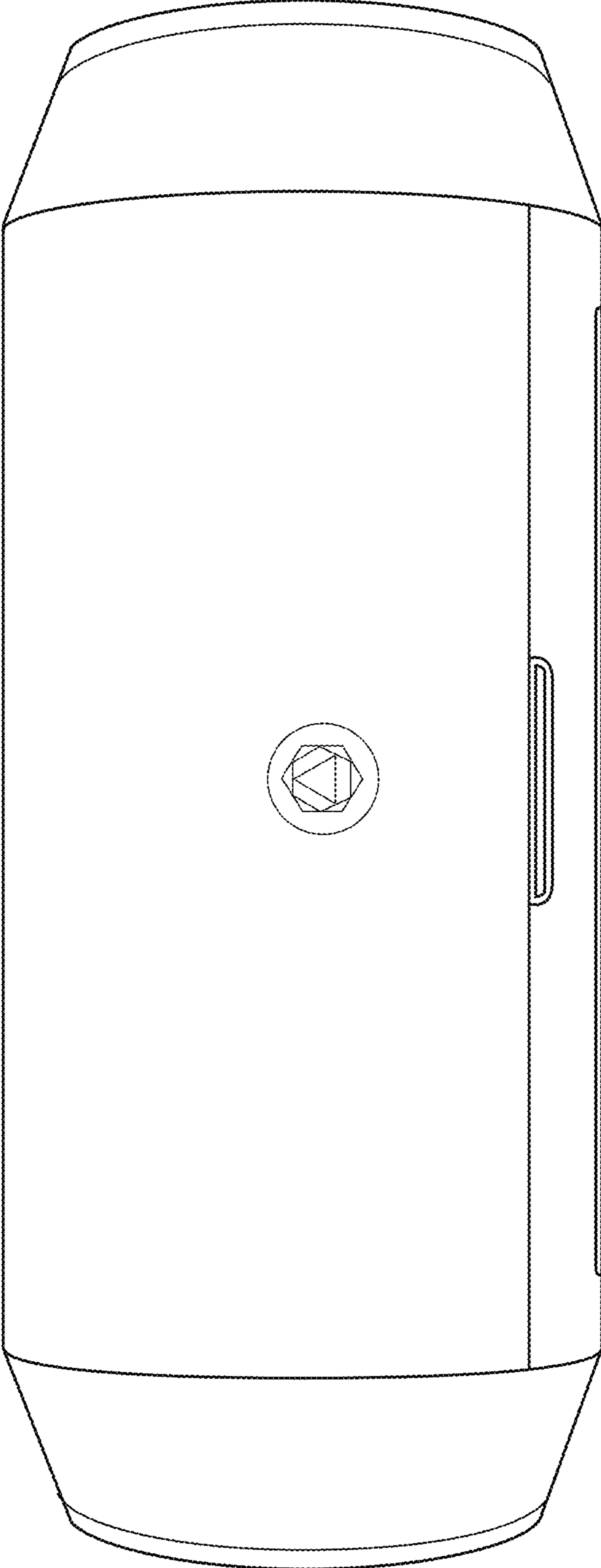


FIG. 2

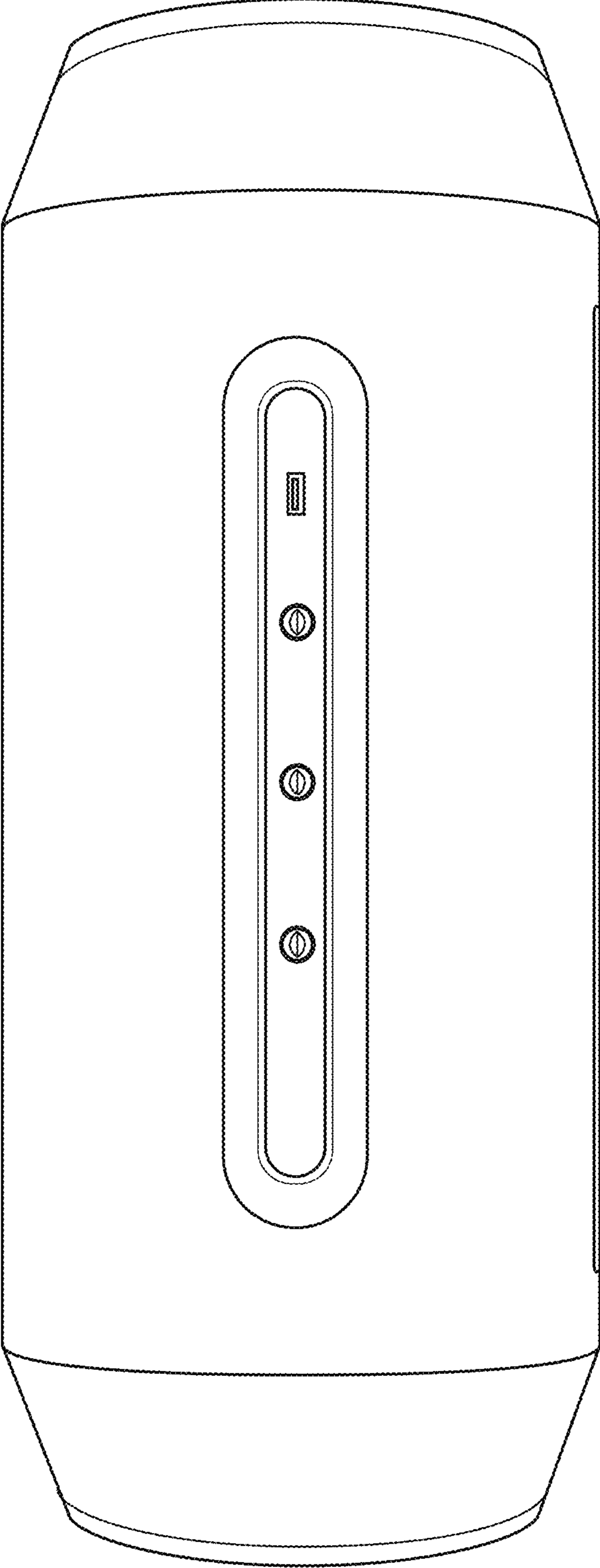
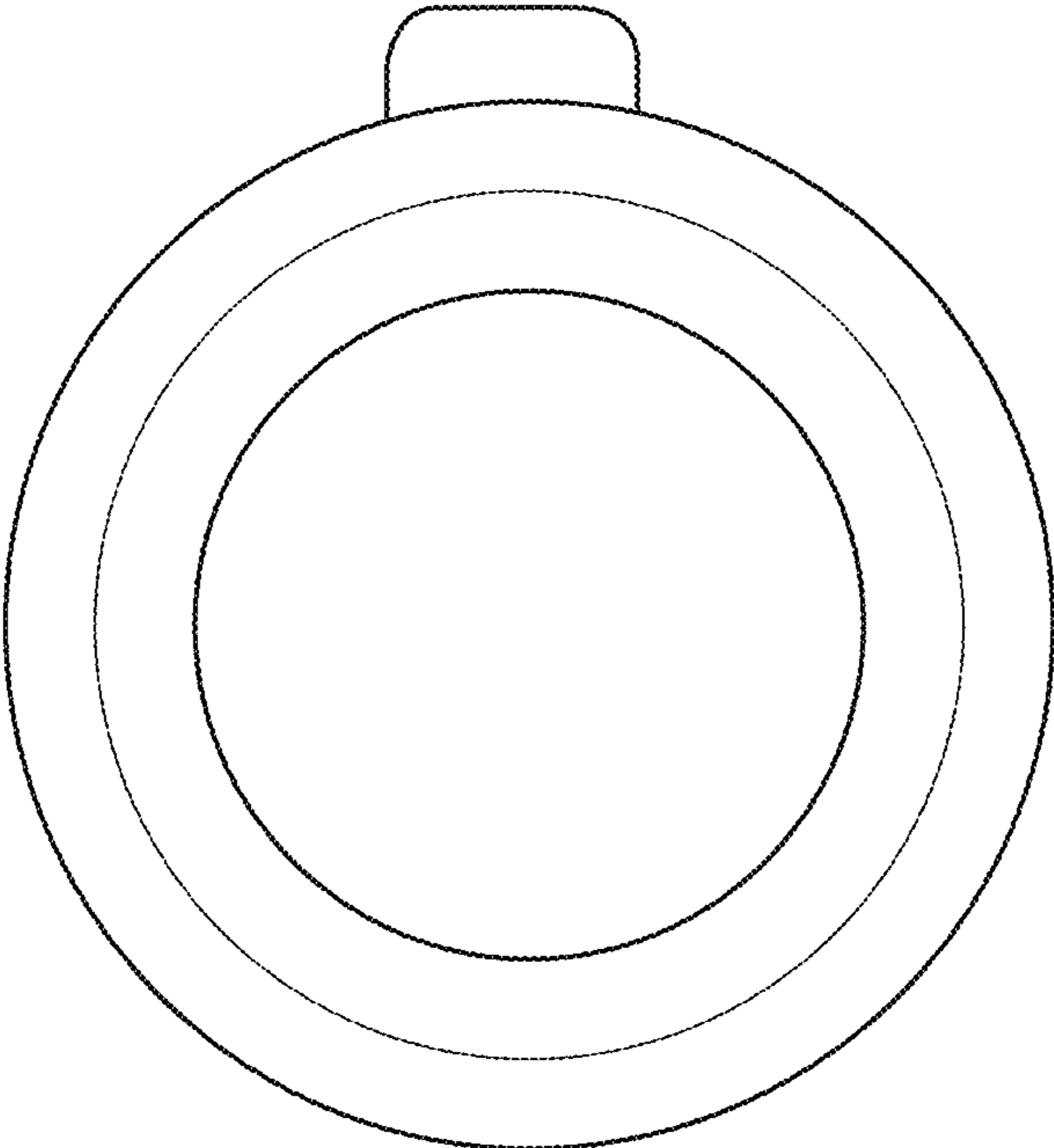


FIG. 3



**FIG. 4**

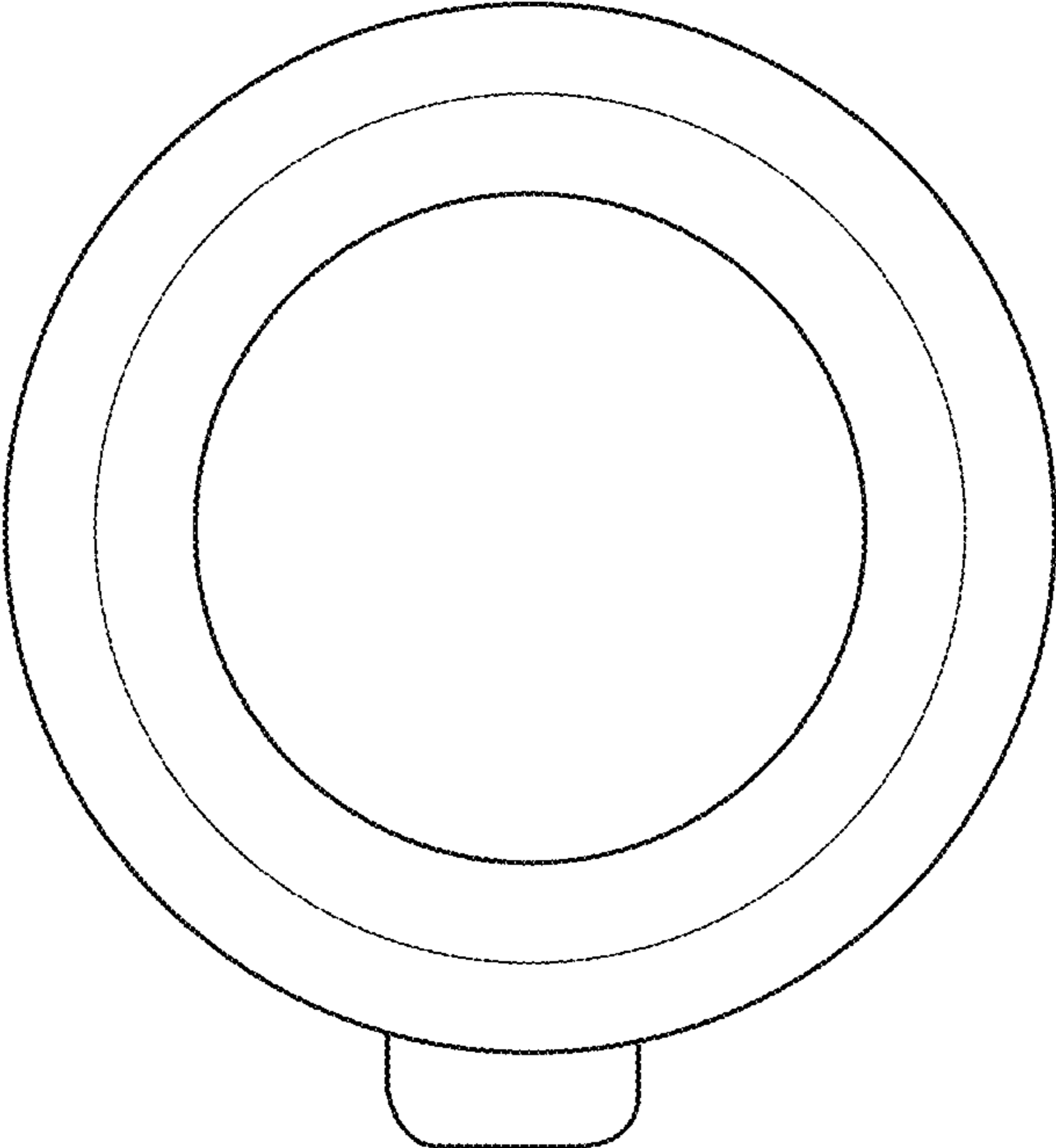


FIG. 5

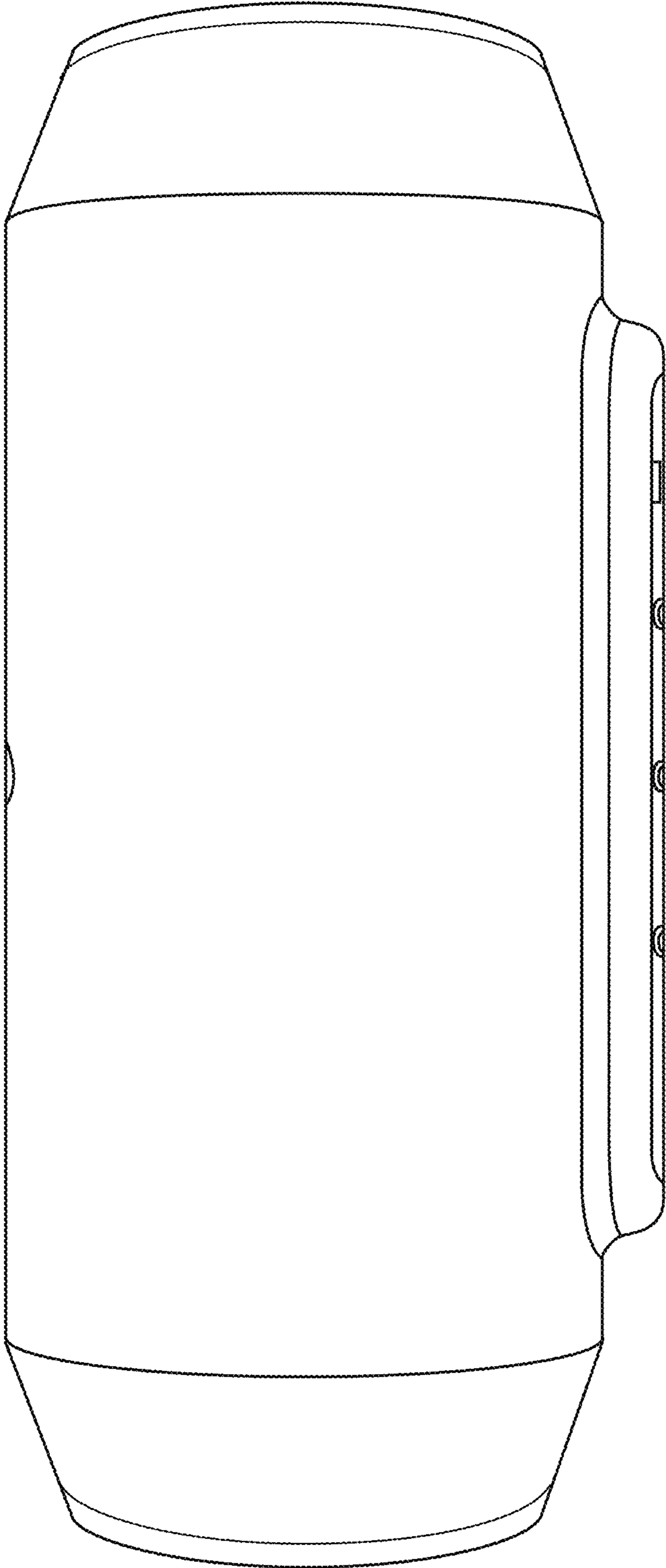


FIG. 6

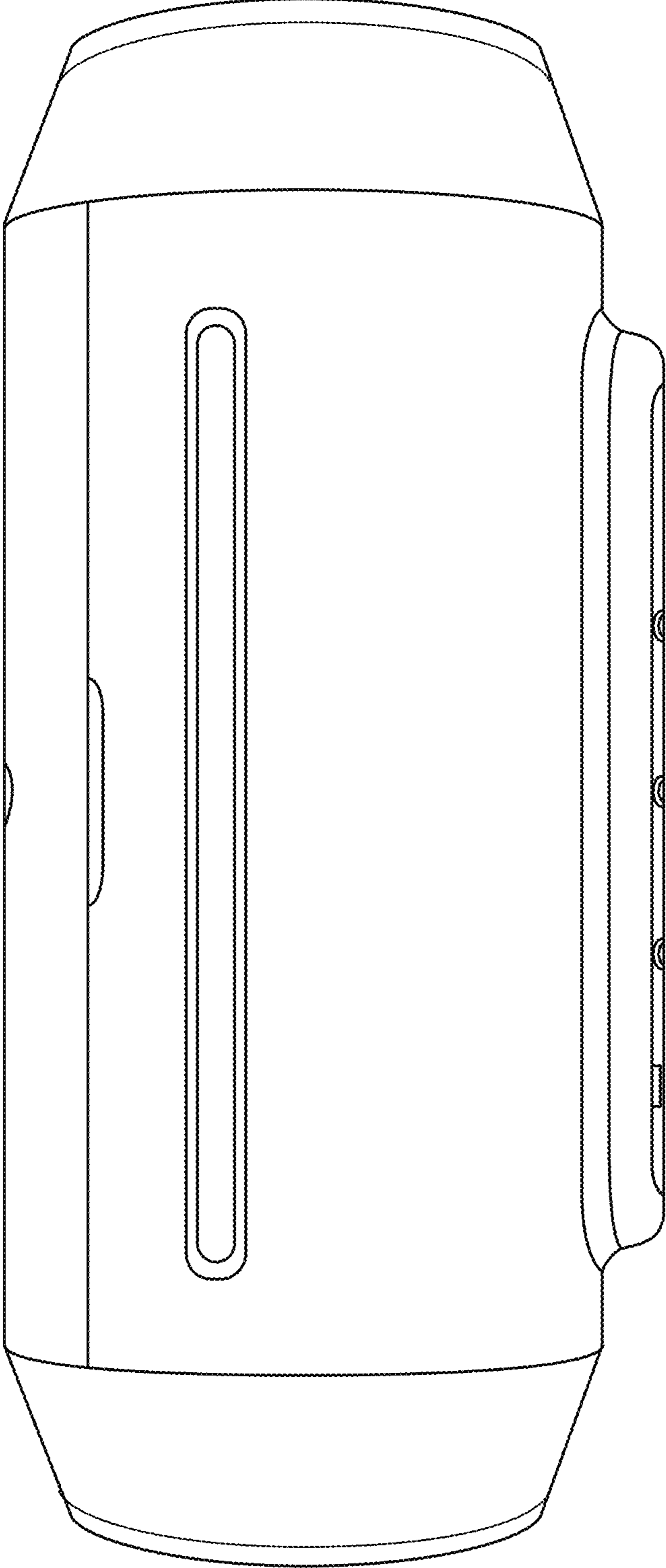


FIG. 7