



US00D864603S

(12) **United States Design Patent**  
**Diffrient et al.**

(10) **Patent No.:** **US D864,603 S**  
(45) **Date of Patent:** **\*\* Oct. 29, 2019**

(54) **CHAIR**

(71) Applicant: **Humanscale Corporation**, New York, NY (US)

(72) Inventors: **Niels Diffrient**, New York, NY (US);  
**Jeff Theesfeld**, New York, NY (US)

(73) Assignee: **Humanscale Corporation**, New York, NY (US)

(\*\*) Term: **15 Years**

(21) Appl. No.: **29/634,825**

(22) Filed: **Jan. 25, 2018**

**Related U.S. Application Data**

(63) Continuation of application No. 29/567,413, filed on Jun. 8, 2016, now Pat. No. Des. 808,699.

(51) **LOC (12) Cl.** ..... **06-01**

(52) **U.S. Cl.**  
USPC ..... **D6/366; D6/335**

(58) **Field of Classification Search**  
USPC ..... D6/334-338, 340-343, 349-353, 355,  
D6/364-366, 596, 601, 604, 691-691.9,  
D6/692-692.6, 716-716.1; D25/65  
CPC ..... A47B 7/00-02; A47C 11/00; A47C 12/00;  
A47C 16/02-04; A47C 9/00-105  
See application file for complete search history.

(56) **References Cited**

**U.S. PATENT DOCUMENTS**

D38,687 S 7/1907 Budd  
D207,776 S 5/1967 Jakobsen  
D207,954 S 6/1967 Parker  
D359,182 S 6/1995 Von Gunten  
D362,570 S 9/1995 Mulder  
D364,283 S \* 11/1995 Zaidman ..... D6/365  
D384,228 S 9/1997 Desnoyers

D414,630 S \* 10/1999 Buscio ..... D6/365  
D468,119 S \* 1/2003 Zaidman ..... D6/365  
D489,922 S 5/2004 Choi  
D498,091 S 11/2004 Winter  
D542,574 S \* 5/2007 Johnson ..... D6/365  
D555,376 S \* 11/2007 Lade ..... D6/365  
D657,983 S \* 4/2012 Ping ..... D6/365  
D666,031 S \* 8/2012 Wold ..... D6/716  
D671,774 S \* 12/2012 Ping ..... D6/365  
D674,627 S 1/2013 Mecherle  
D704,466 S \* 5/2014 Massaud ..... D6/364  
D724,366 S 3/2015 Gerard

(Continued)

**OTHER PUBLICATIONS**

Ergonomic Work Chair Office Furniture. [online] Retrieved May 1, 2019 from URL: <http://www.officefurnitureinnoida.com/11608/ergonomic-work-chair/>.\*

(Continued)

*Primary Examiner* — Vy N Koenig

(74) *Attorney, Agent, or Firm* — Womble Bond Dickinson (US) LLP

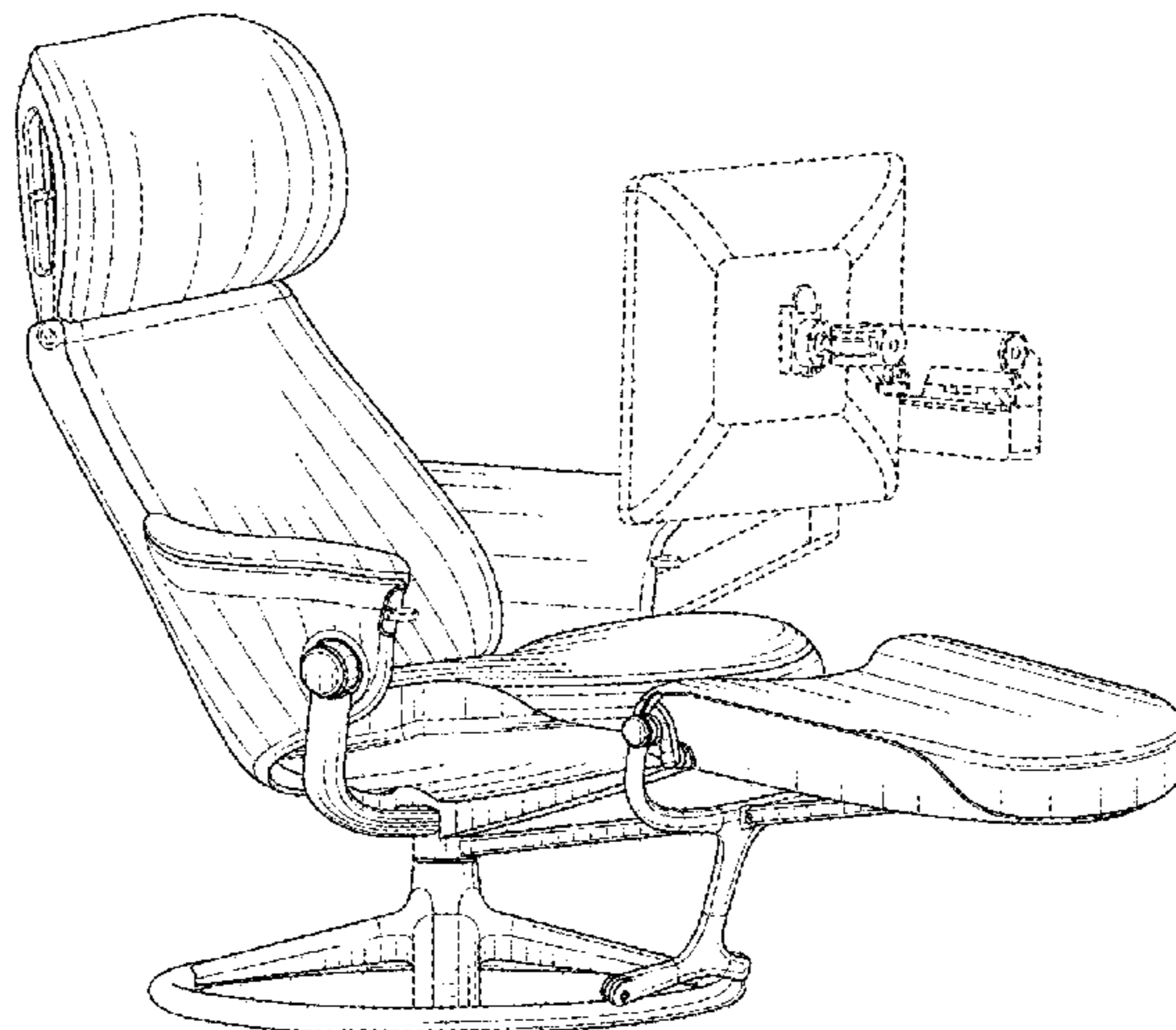
(57) **CLAIM**

We claim the ornamental design for a chair, as shown and described.

**DESCRIPTION**

FIG. 1 is a top front left perspective view of our new design; FIG. 2 is a front view thereof; FIG. 3 is a rear view thereof; FIG. 4 is a left side view thereof; FIG. 5 is a right side view thereof; and, FIG. 6 is a top view thereof. The views of the chair not shown form no part of the claimed design. The broken lines in the figures show portions and features of the chair that form no part of the claimed design.

**1 Claim, 6 Drawing Sheets**



(56)

**References Cited**

U.S. PATENT DOCUMENTS

D758,748 S \* 6/2016 Lade ..... D6/365  
D760,521 S 7/2016 Galiotto  
D766,635 S 9/2016 Muller  
D786,000 S 5/2017 Gerard  
D793,111 S \* 8/2017 Woller ..... D6/366  
D808,699 S \* 1/2018 Diffrient ..... D6/716.6

OTHER PUBLICATIONS

Great Reclining Office Chair. [online] Retrieved May 1, 2019 from  
URL: <http://www.lilangelsfurniture.com/reclining-office-chair/great-reclining-office-chair-and-super-soft-reclining-office-chair-home-leisure-lying-chair-liting/>.\*

Eames Lounge Chair and Ottoman, [www.hermanmiller.com](http://www.hermanmiller.com), known  
at least as early as Jun. 7, 2016, 2 pgs.

\* cited by examiner

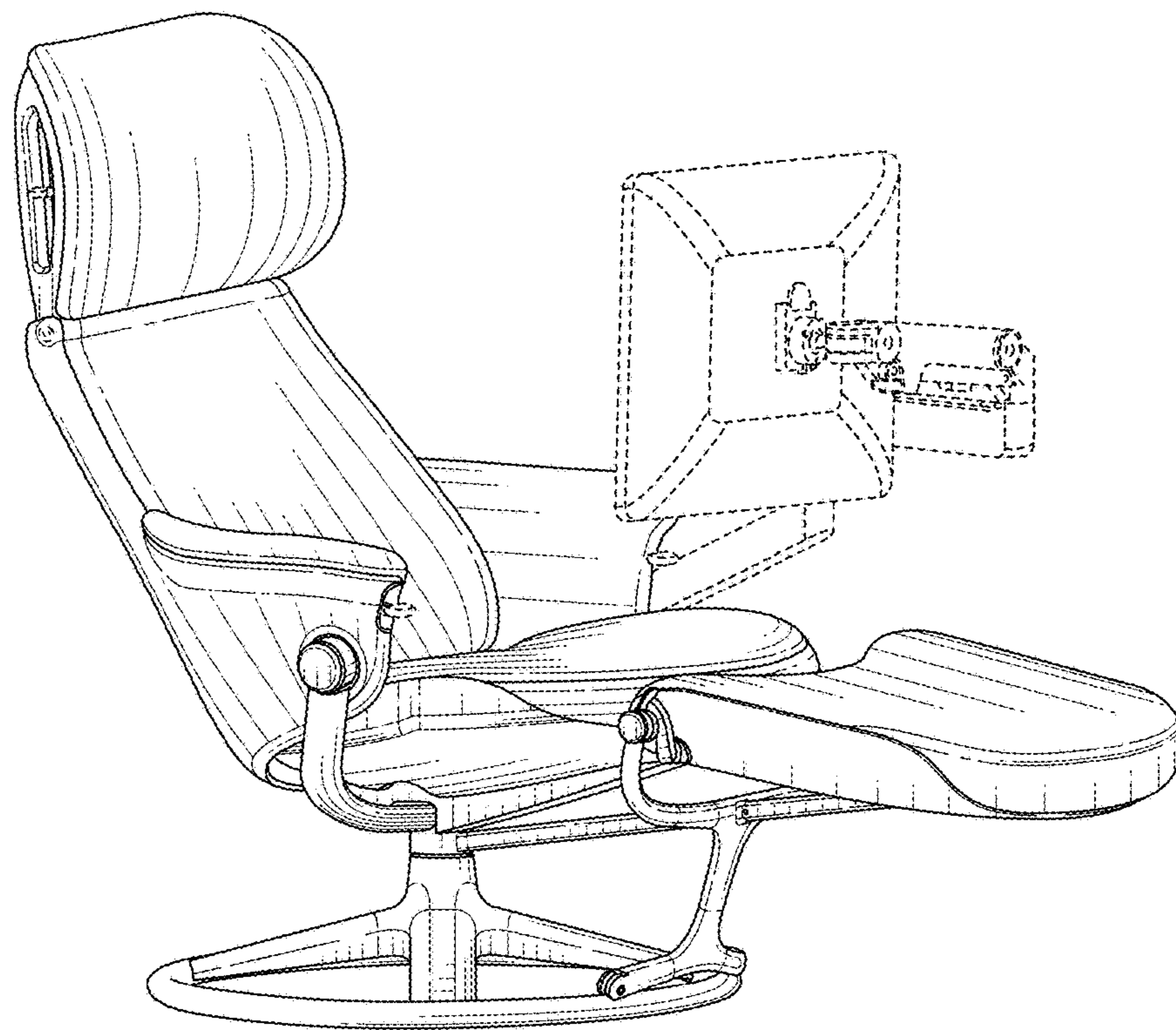


FIG. 1

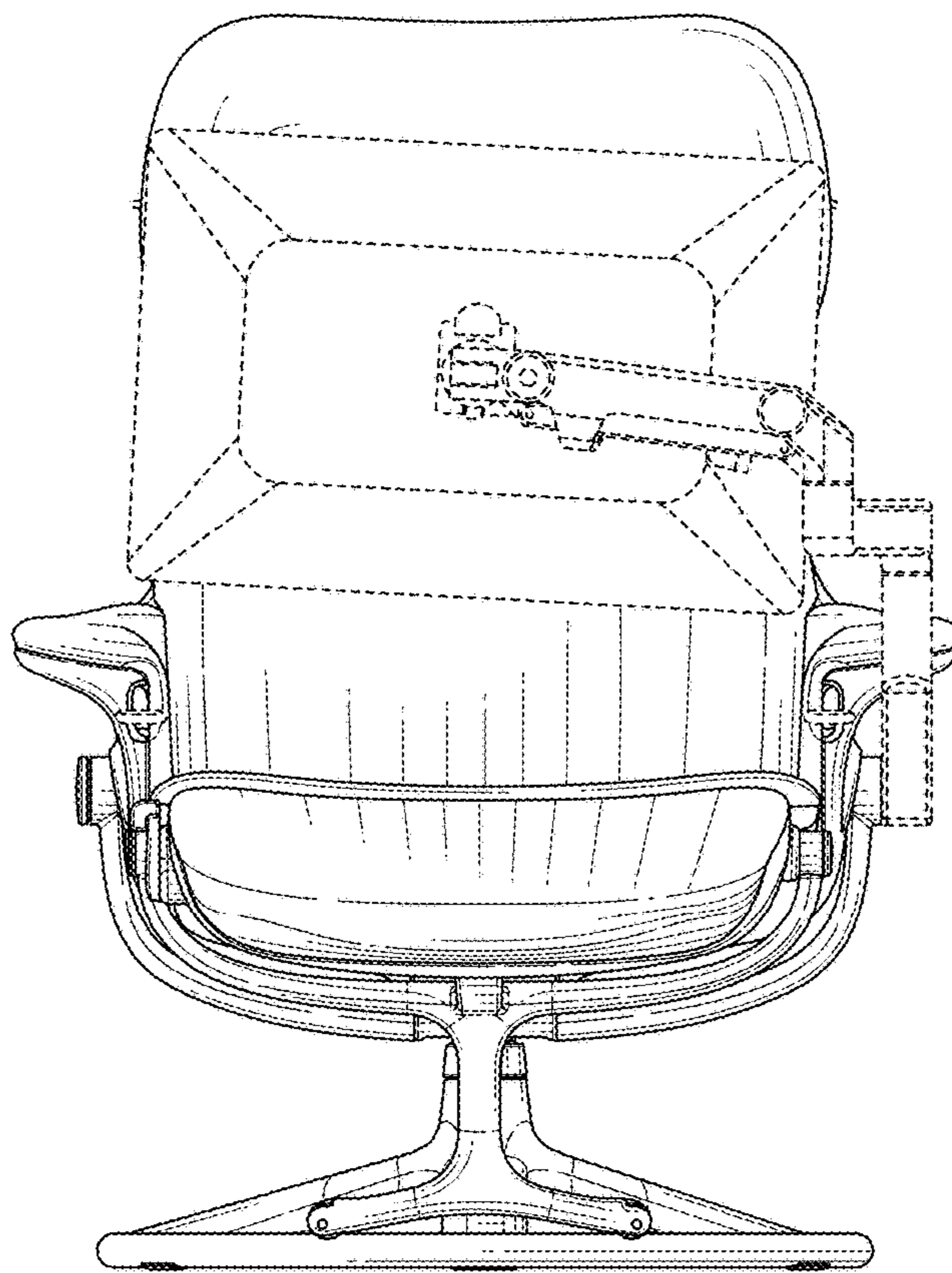


FIG. 2

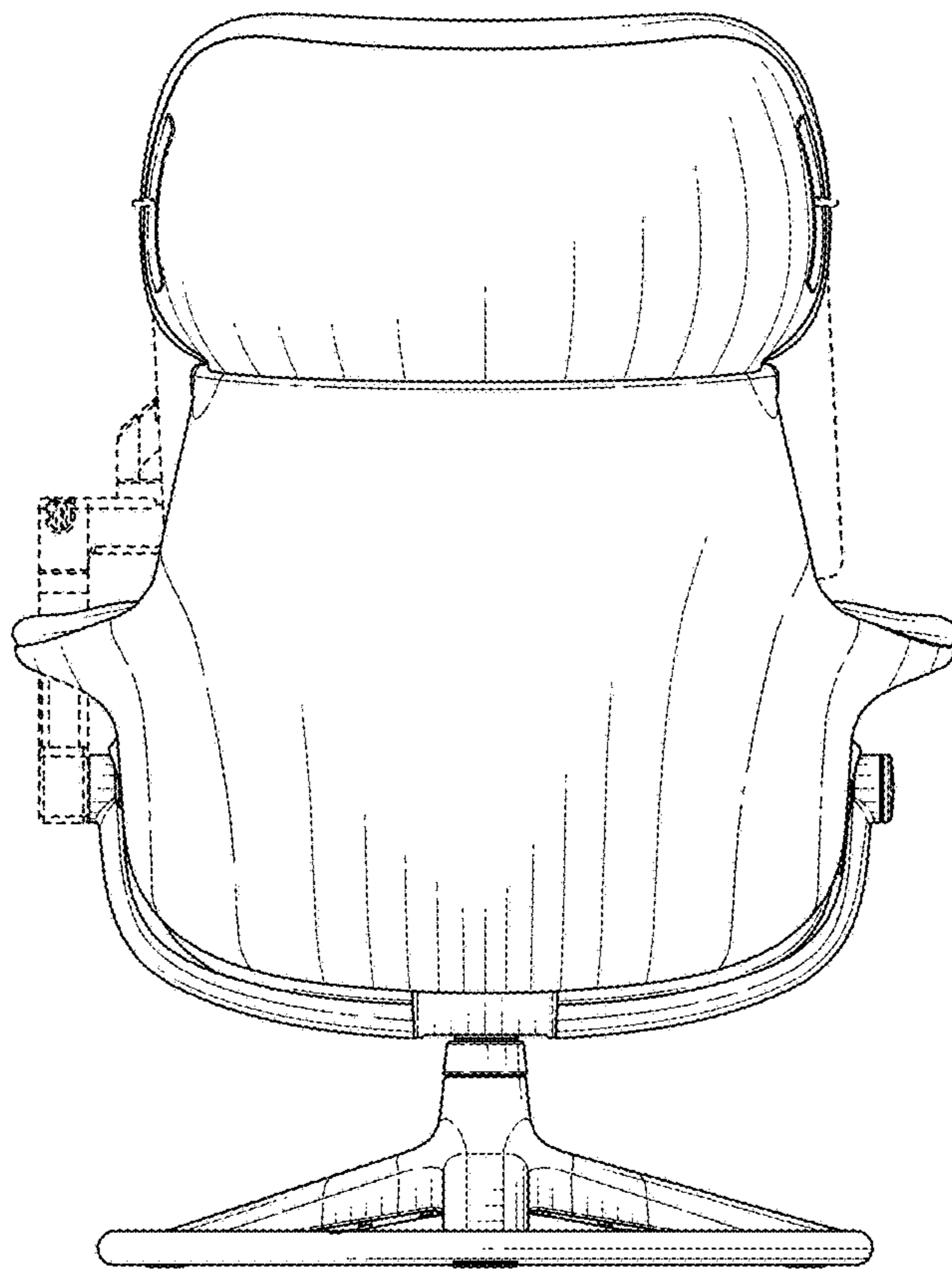


FIG. 3

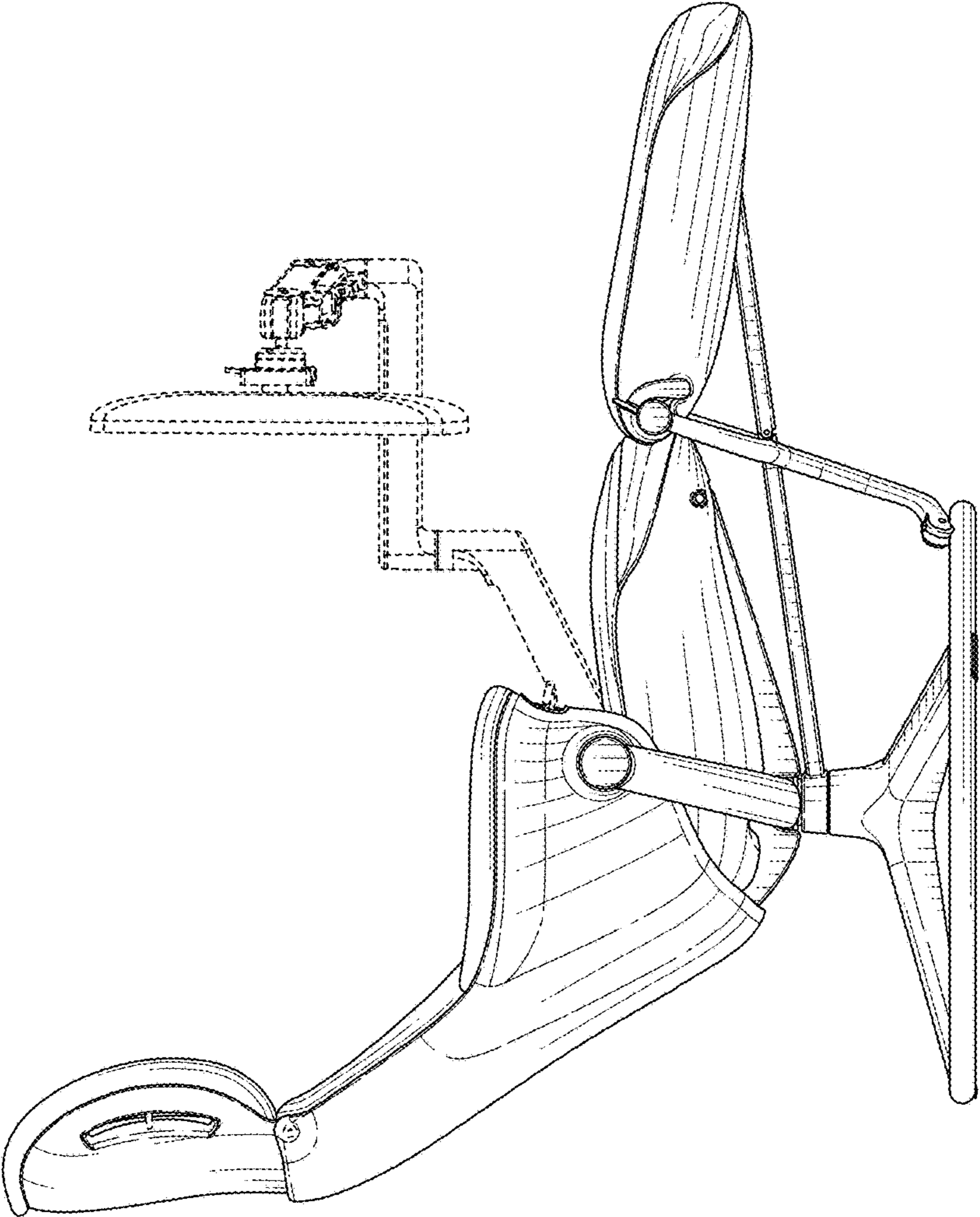


FIG. 4

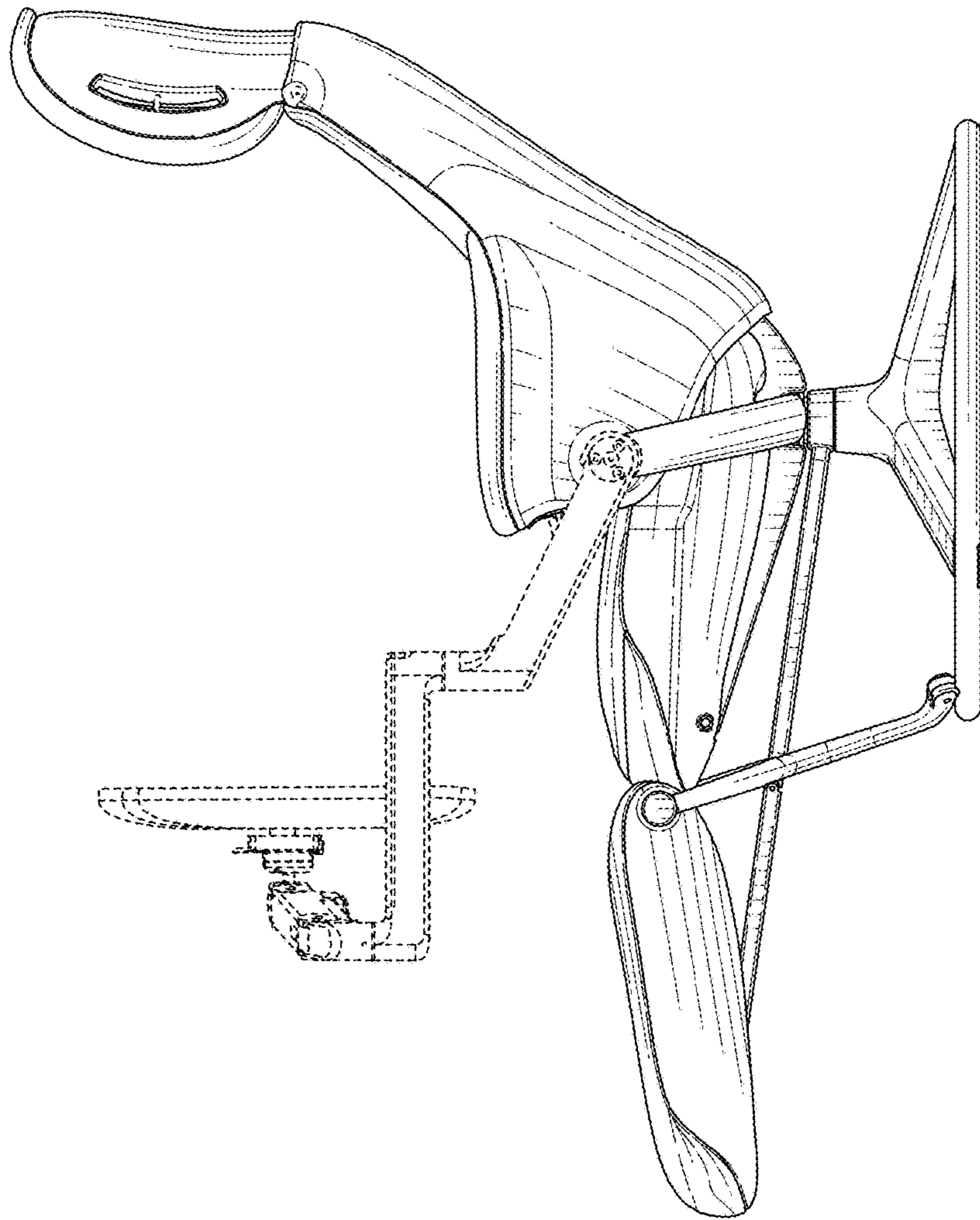


FIG. 5

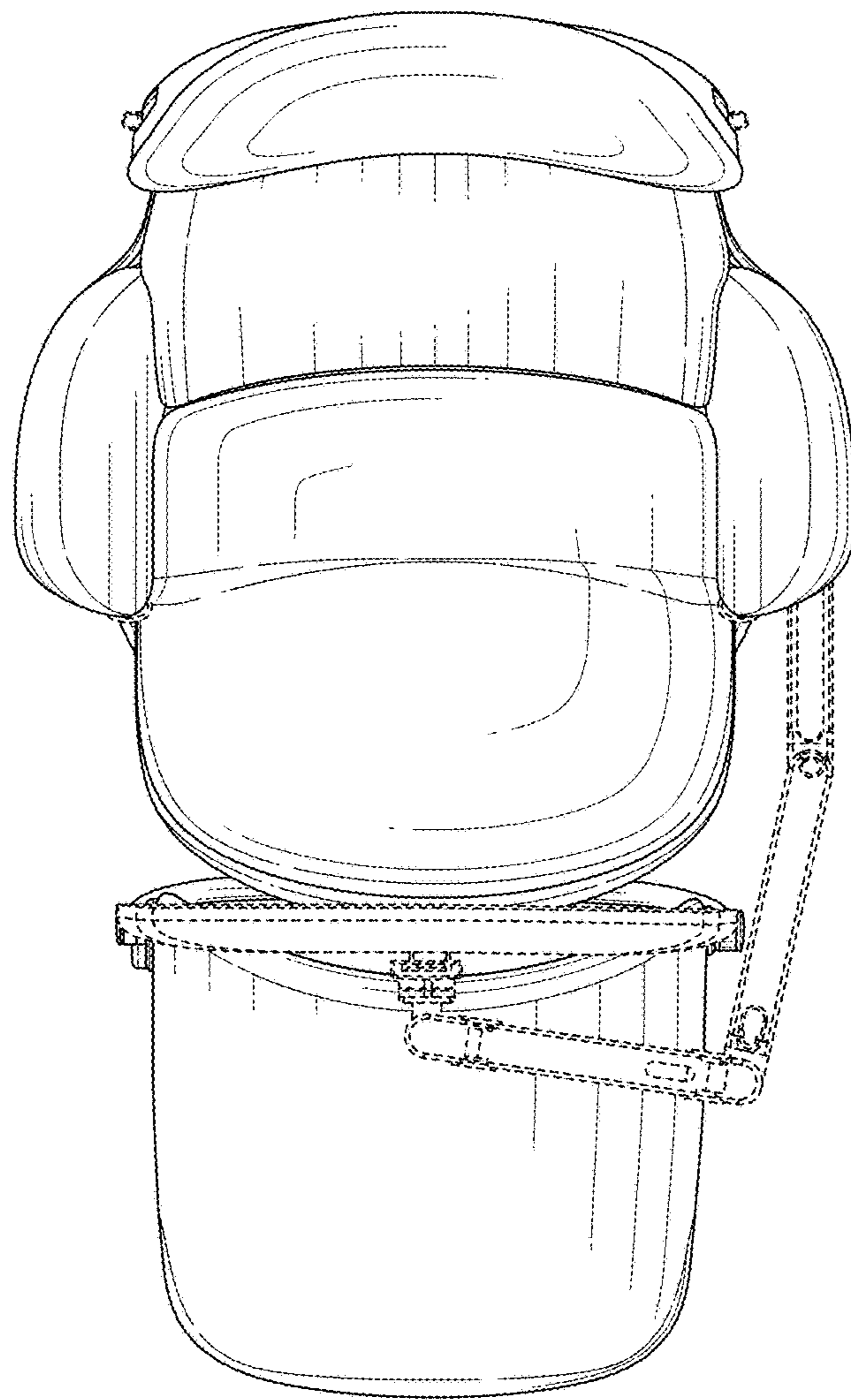


FIG. 6