

US00D864602S

(12) **United States Design Patent**
Fagerström

(10) **Patent No.:** **US D864,602 S**

(45) **Date of Patent:** **** Oct. 29, 2019**

(54) **STOOL**
(71) Applicant: **ARRMET S.R.L.**, Manzano (Udine)
(IT)
(72) Inventor: **Kristoffer Fagerström**, Stockholm (SE)
(**) Term: **15 Years**
(21) Appl. No.: **29/664,186**
(22) Filed: **Sep. 22, 2018**

2,980,454 A * 4/1961 Thaden A47C 1/124
297/248
D202,426 S * 9/1965 Jakobsen D6/360
D357,592 S * 4/1995 Kellen D6/360
D369,686 S * 5/1996 Martin D6/360
D400,721 S * 11/1998 Baeriswyl D6/360
D420,821 S * 2/2000 Barile D6/360
D425,720 S * 5/2000 Smith D6/379
7,404,607 B2 * 7/2008 Crue A47C 4/02
297/344.18
D574,623 S * 8/2008 Bartlmae D6/374
D574,624 S * 8/2008 Bartlmae D6/374
D651,007 S * 12/2011 Ciani D6/360
D666,015 S * 8/2012 Morrison D6/360
D706,545 S * 6/2014 Muller D6/360

(30) **Foreign Application Priority Data**
Apr. 13, 2018 (EM) 005233517-0002
(51) **LOC (12) Cl.** **06-01**
(52) **U.S. Cl.**
USPC **D6/360**
(58) **Field of Classification Search**
USPC D6/334, 341, 349, 350, 352, 353, 360,
D6/364, 369, 373, 374, 375, 380, 677,
D6/692, 700, 708, 708.16, 716
CPC A47C 3/34; A47C 7/506; A47C 9/007;
A47C 13/023; A47C 4/028; A47C 4/02
See application file for complete search history.

* cited by examiner

Primary Examiner — Kevin K Rudzinski
Assistant Examiner — Paul D Bohannon
(74) *Attorney, Agent, or Firm* — Themis Law

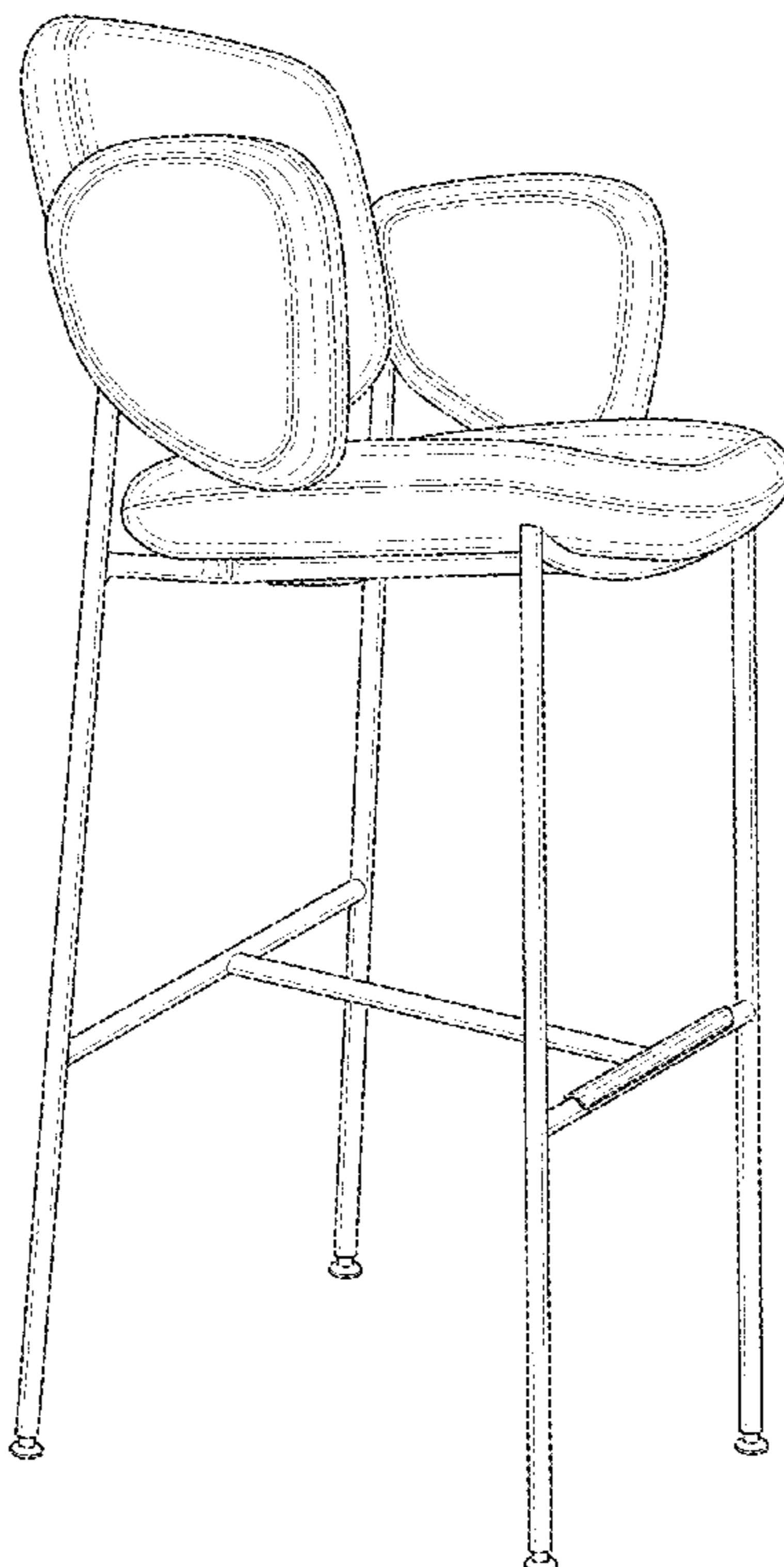
(56) **References Cited**
U.S. PATENT DOCUMENTS
D108,750 S * 3/1938 Michelson D6/380
2,936,024 A * 5/1960 Hendrickson A47C 3/04
297/239

(57) **CLAIM**
The ornamental design for stool, as shown.

DESCRIPTION

FIG. 1 is a perspective view of a stool showing my new design;
FIG. 2 is a front elevational view thereof;
FIG. 3 is a rear elevational view thereof;
FIG. 4 is a left side elevational view thereof;
FIG. 5 is a right side elevational view thereof;
FIG. 6 is a top plan view thereof; and,
FIG. 7 is a bottom plan view thereof.

1 Claim, 7 Drawing Sheets



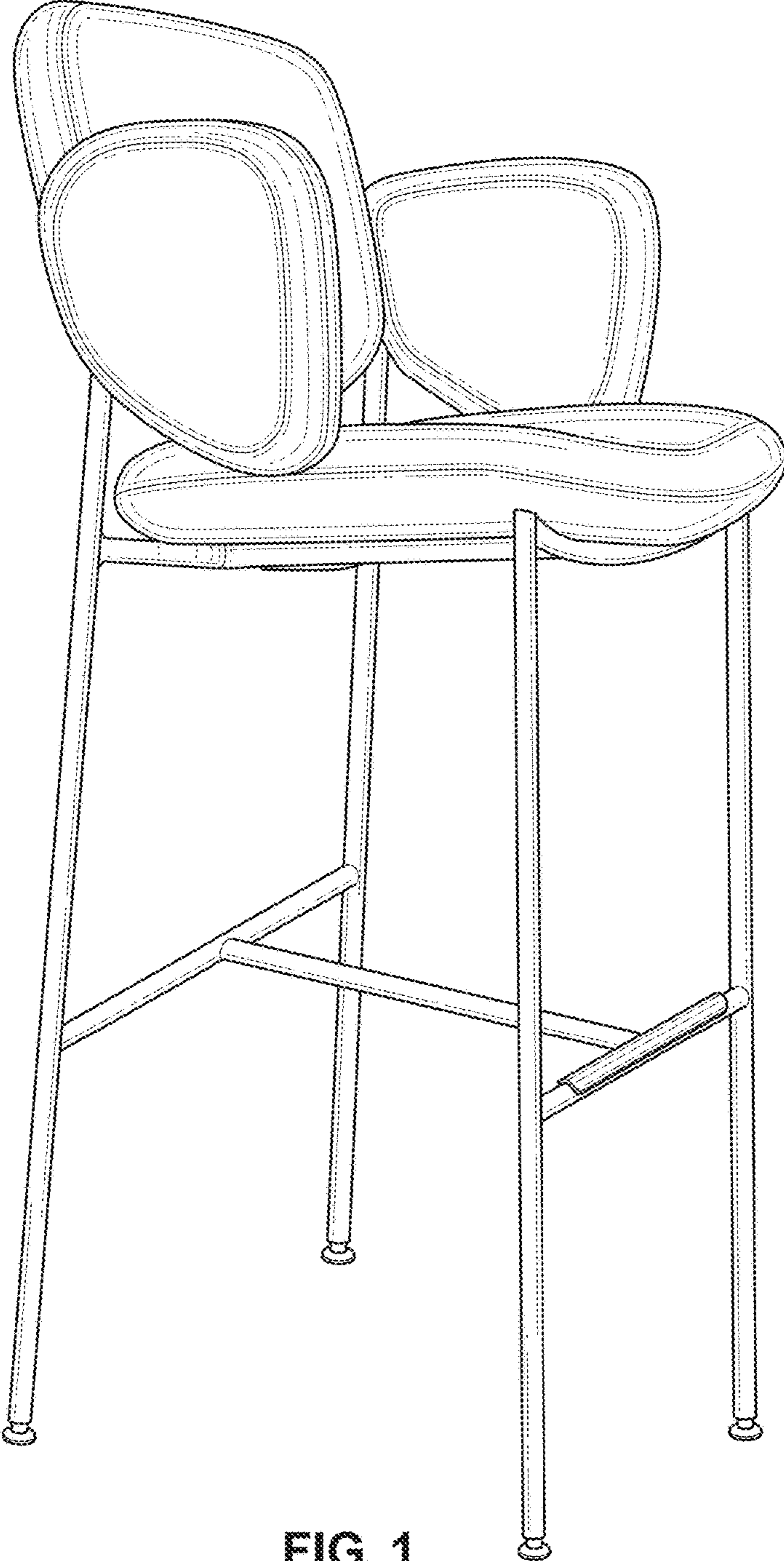


FIG. 1

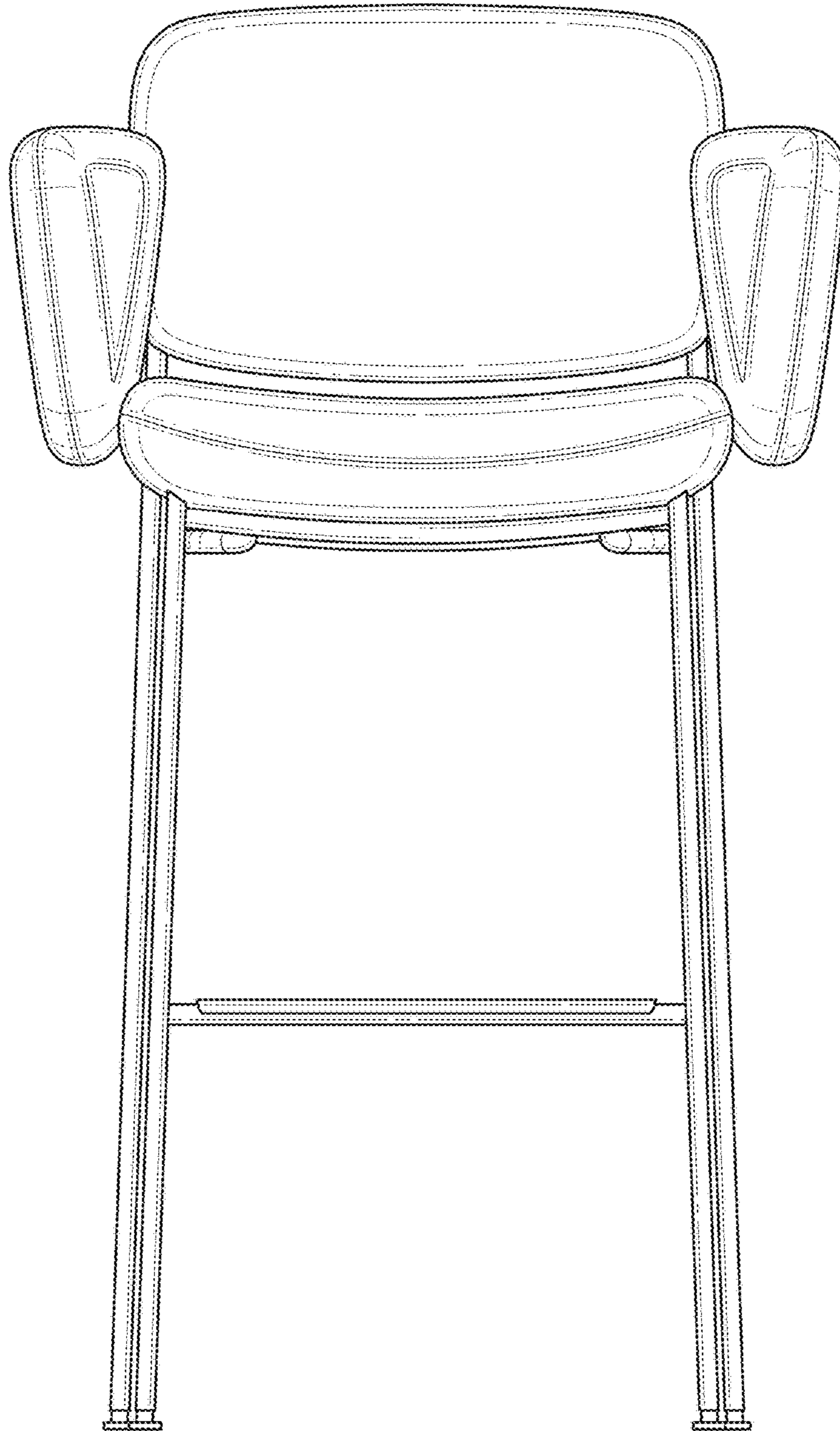


FIG. 2

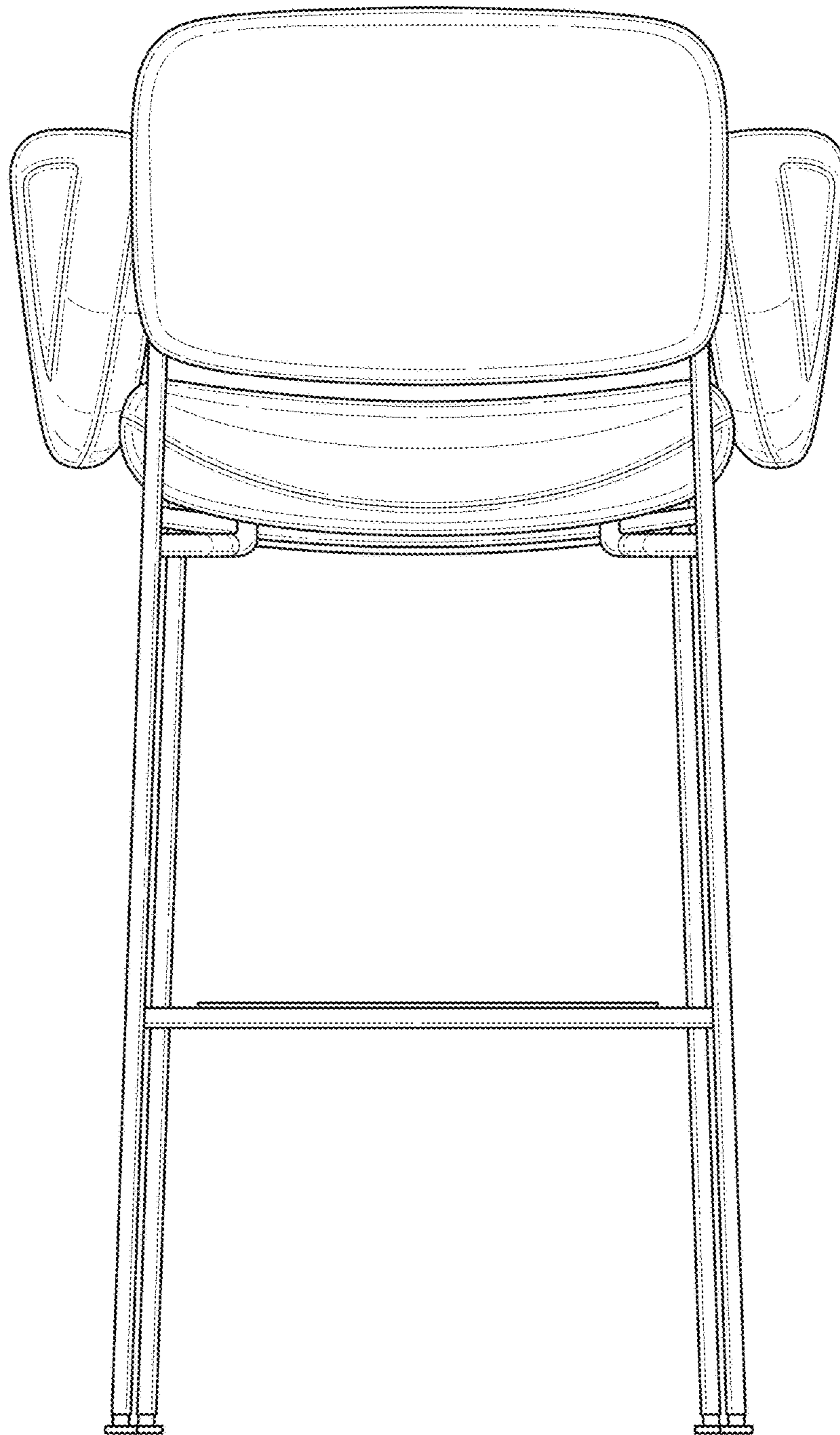


FIG. 3

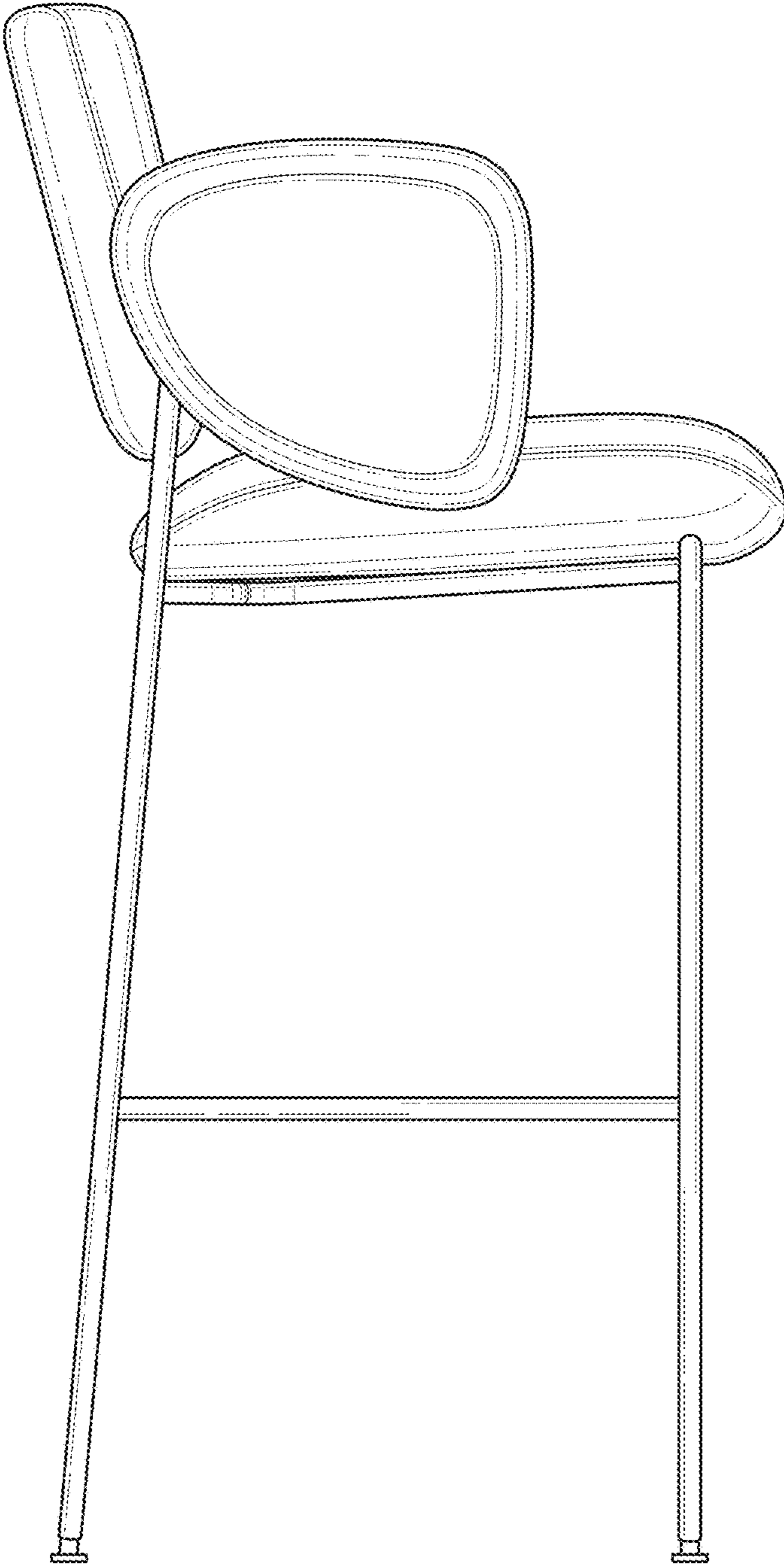


FIG. 4

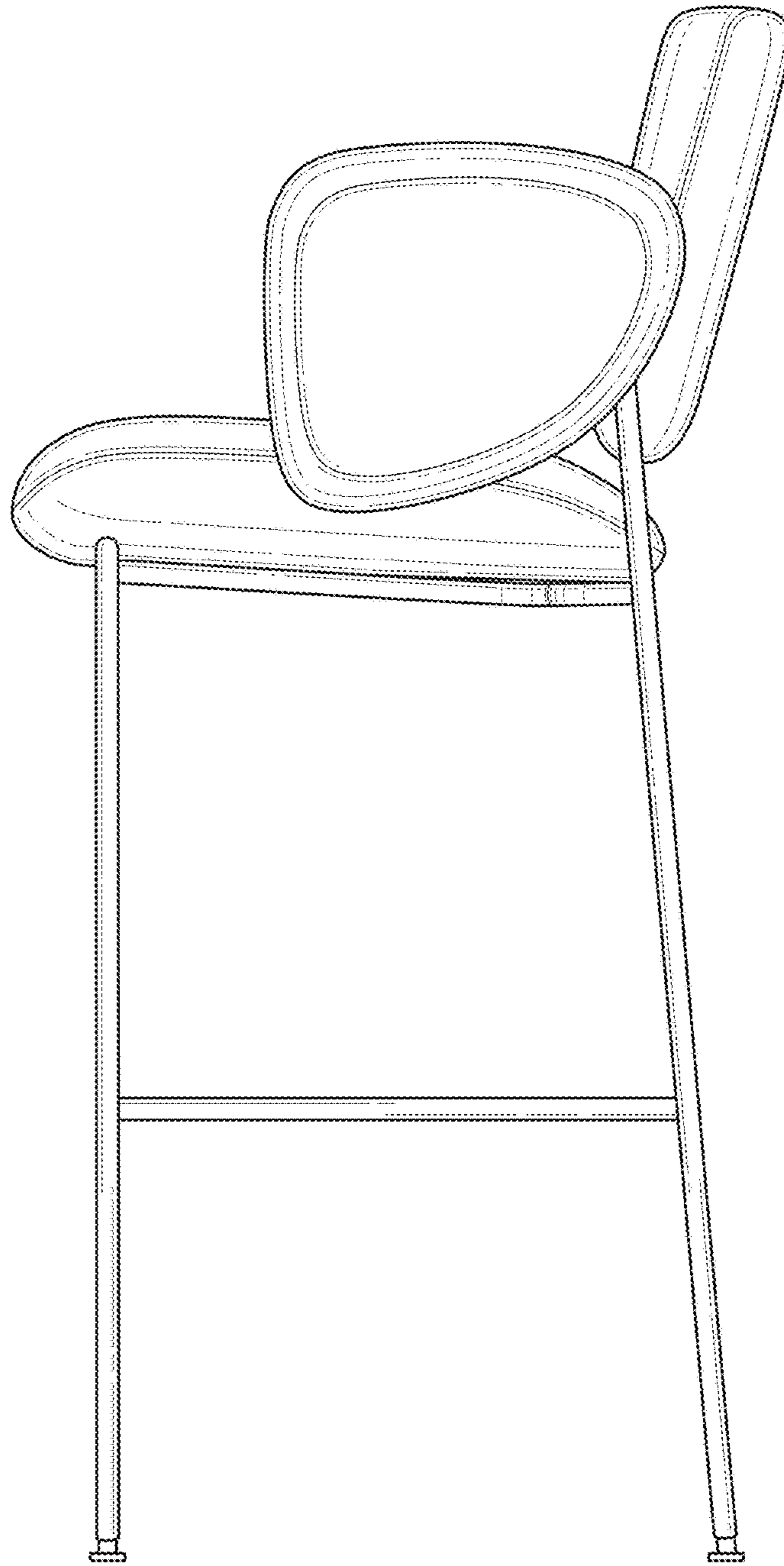


FIG. 5

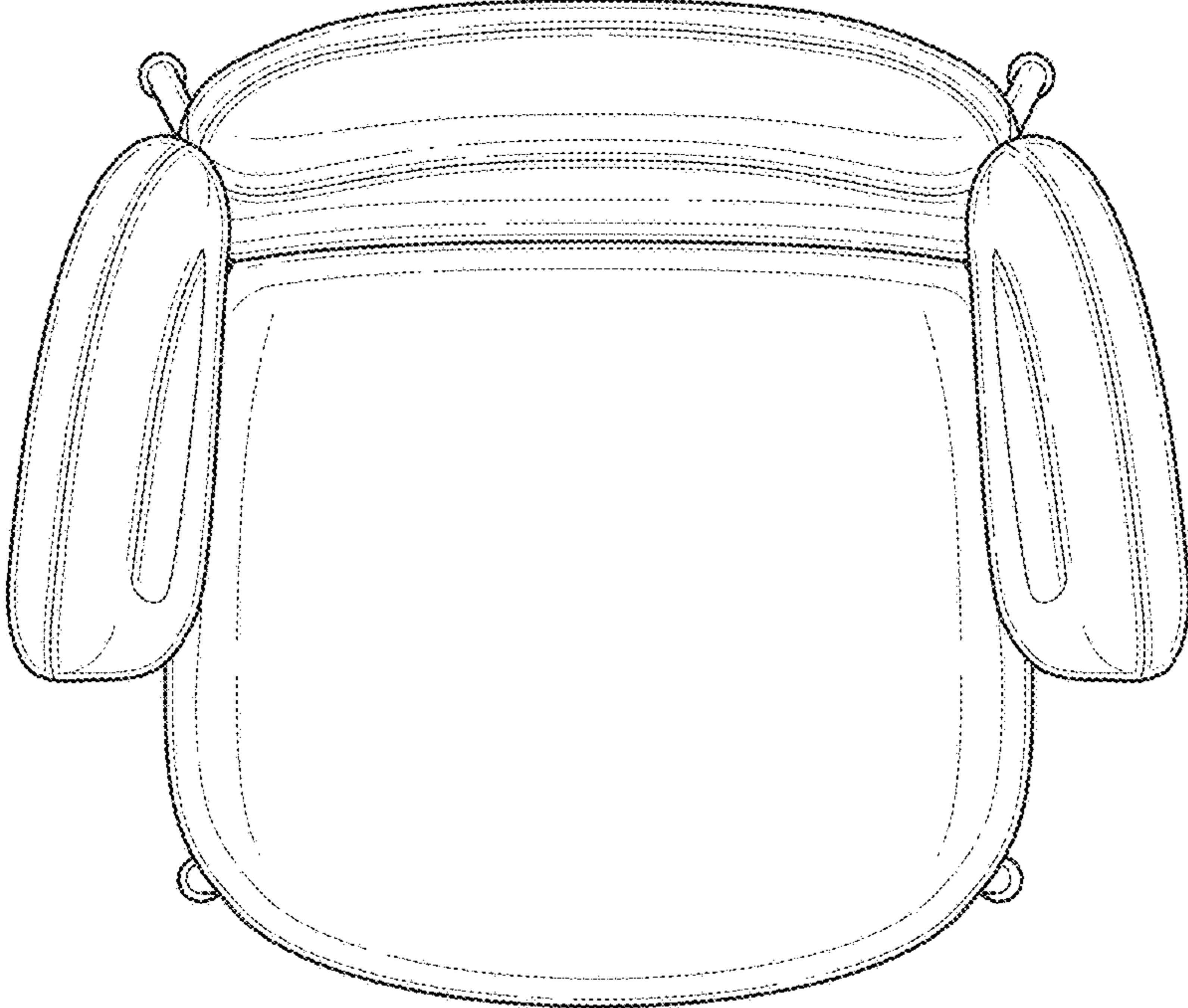


FIG. 6

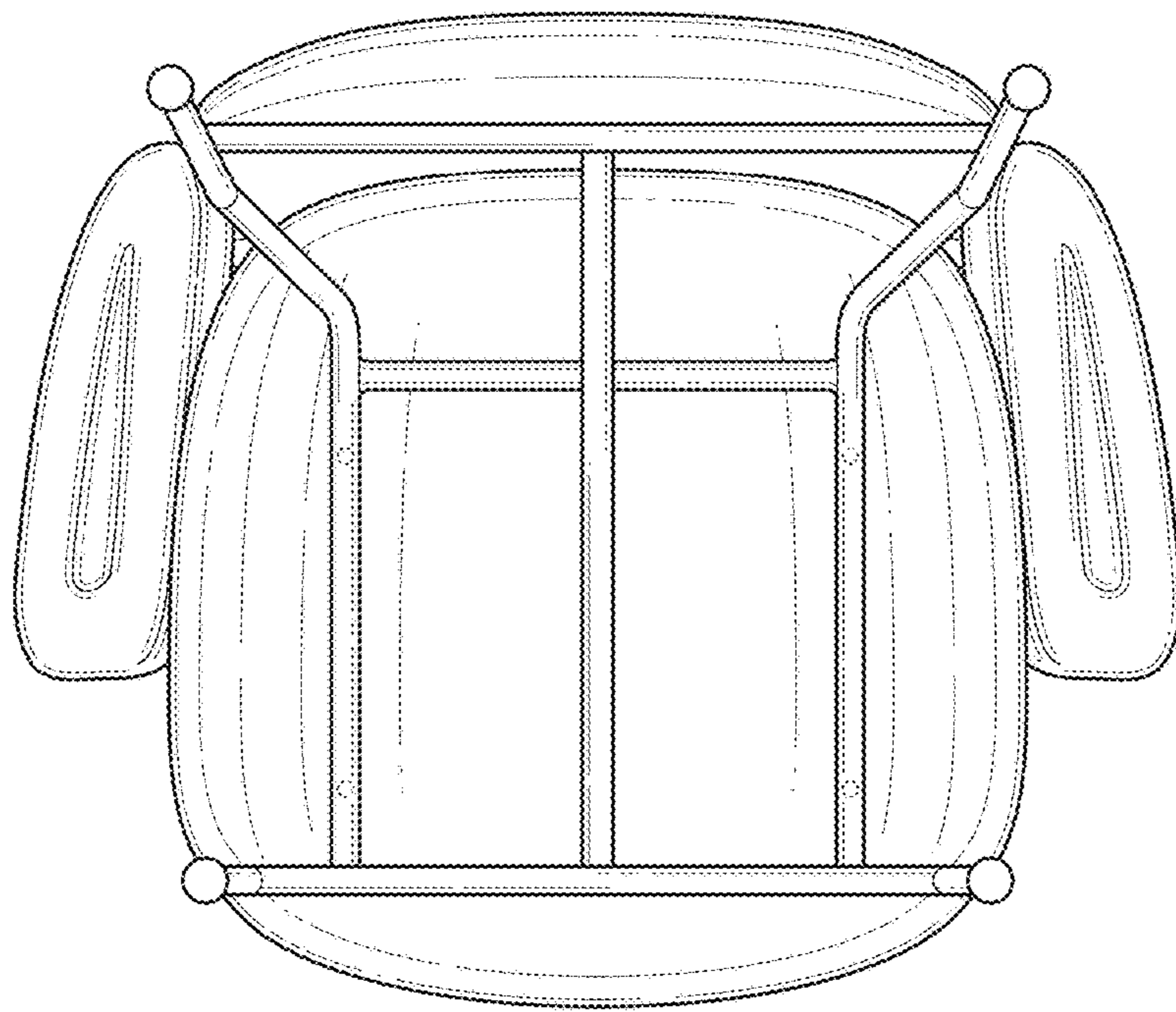


FIG. 7