

US00D864601S

(12) **United States Design Patent**
Wihlborg

(10) **Patent No.:** **US D864,601 S**
(45) **Date of Patent:** **** Oct. 29, 2019**

(54) **STOOL**
(71) Applicant: **Inter IKEA Systems B.V.**, LN Delft (NL)
(72) Inventor: **Ola Wihlborg**, Almhult (SE)
(73) Assignee: **Inter IKEA Systems B.V.**, LN Delft (NL)

D445,575 S * 7/2001 Shepard D6/349
D656,342 S * 3/2012 Blitzer D6/689
D704,974 S * 5/2014 Lee D6/349
D717,053 S * 11/2014 Gelman D6/349
D780,468 S * 3/2017 Cohen D6/349
D798,621 S * 10/2017 Cohen D6/349
D804,837 S * 12/2017 Cohen D6/349
D836,352 S * 12/2018 Gelman D6/349

(**) Term: **15 Years**
(21) Appl. No.: **29/668,580**

(22) Filed: **Oct. 31, 2018**

(30) **Foreign Application Priority Data**

May 15, 2018 (EM) 005268497-0003

(51) **LOC (12) Cl.** **06-01**

(52) **U.S. Cl.**
USPC **D6/349**; D6/369

(58) **Field of Classification Search**
USPC D6/348-353, 355, 358, 364-365, 360,
D6/369, 374, 381, 597, 691-691.9,
D6/692-692.6

CPC ... A47C 16/02-04; A47C 11/00; A47C 9/007;
A47C 13/00; A47K 17/02-028; A47B
7/00-02

See application file for complete search history.

(56) **References Cited**

U.S. PATENT DOCUMENTS

D86,020 S * 1/1932 Gibson D6/349
D247,269 S * 2/1978 Hughes D6/369
D259,599 S * 6/1981 Credicott D6/369

OTHER PUBLICATIONS

Stackholmen. [online] Retrieved Aug. 14, 2019 from URL: <https://www.ikea.com/us/en/catalog/products/20411425/>.
Raye Solid Wood Woven Rope Stool by Bohemiana. [online] Retrieved Aug. 14, 2019 from URL: <https://www.pepperfry.com/raye-stool-by-bohemiana-1626681.html>.
1950s George Nakashima Walnut and Woven Grass Seat Stool. [online] Retrieved Aug. 14, 2019 from URL: https://www.1stdibs.com/furniture/seating/footstools/1950s-george-nakashima-walnut-woven-grass-seat-stool/id-f_5459293/.

* cited by examiner

Primary Examiner — Vy N Koenig
(74) *Attorney, Agent, or Firm* — Tucker Ellis LLP

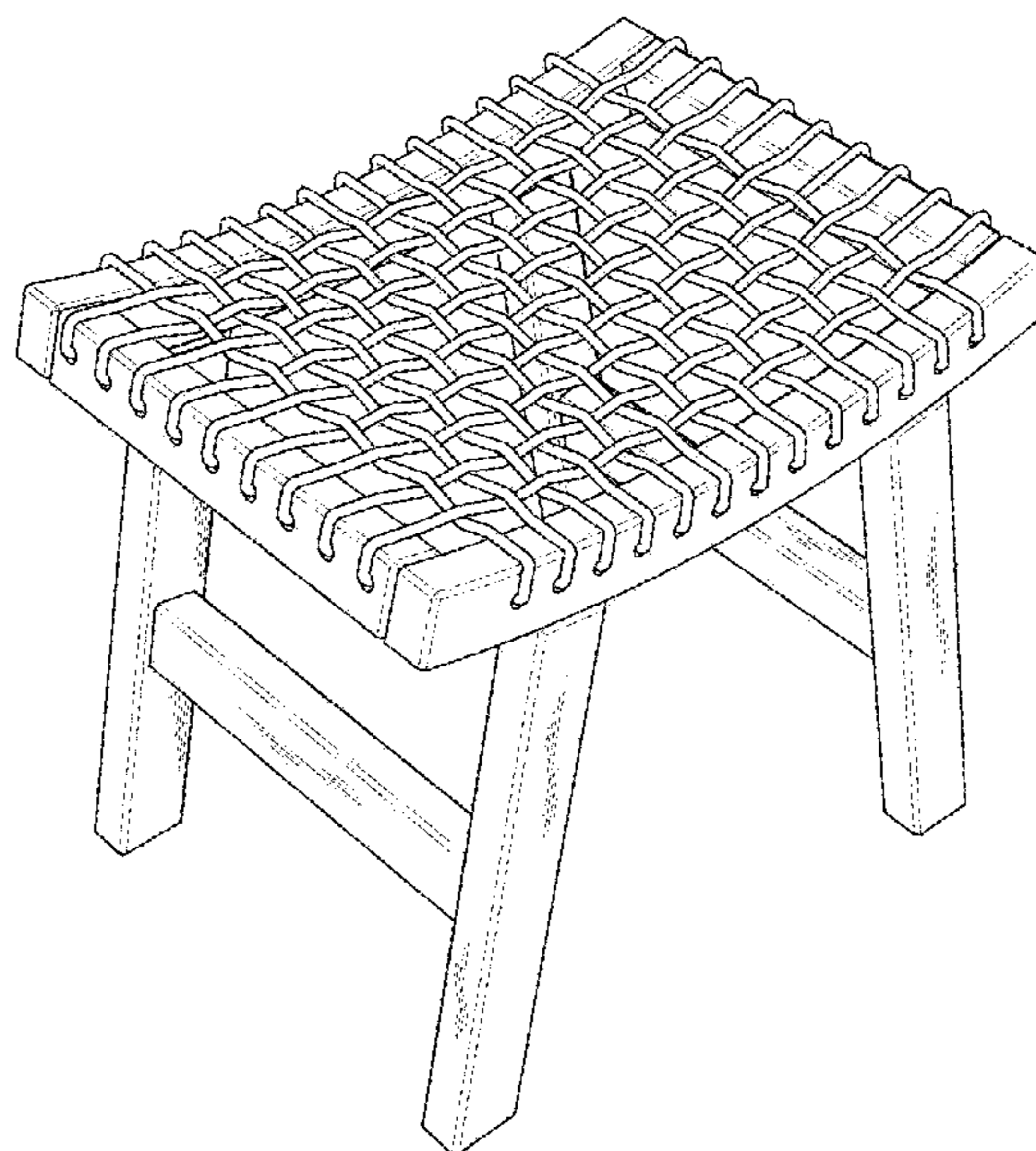
(57) **CLAIM**

The ornamental design for a stool, as shown and described.

DESCRIPTION

FIG. 1 is a perspective view of a stool showing our new design;
FIG. 2 is a front view thereof;
FIG. 3 is a rear view thereof;
FIG. 4 is a right side view thereof;
FIG. 5 is a left side view thereof;
FIG. 6 is a top view thereof; and,
FIG. 7 is a bottom view thereof.

1 Claim, 7 Drawing Sheets



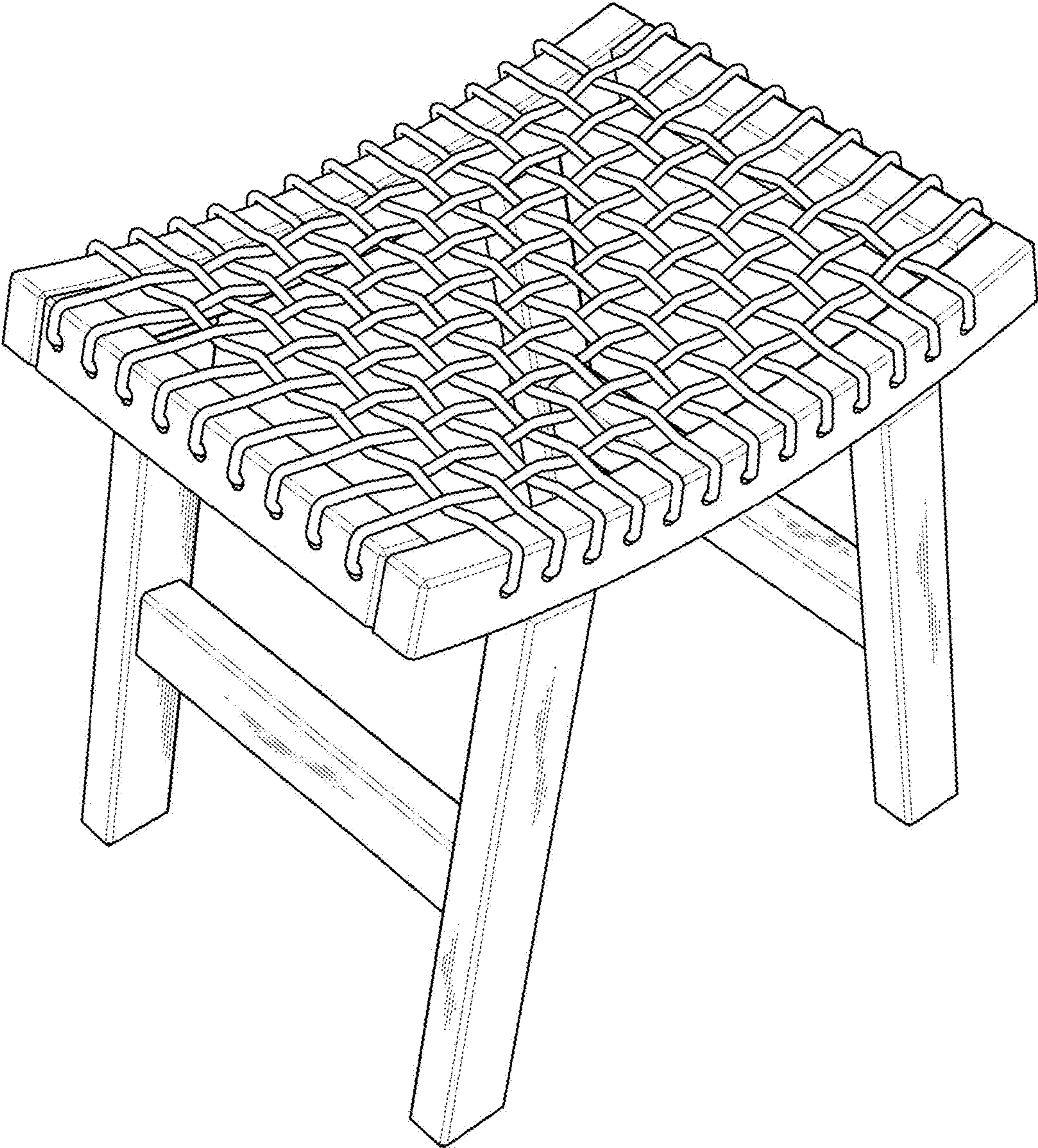


FIG. 1

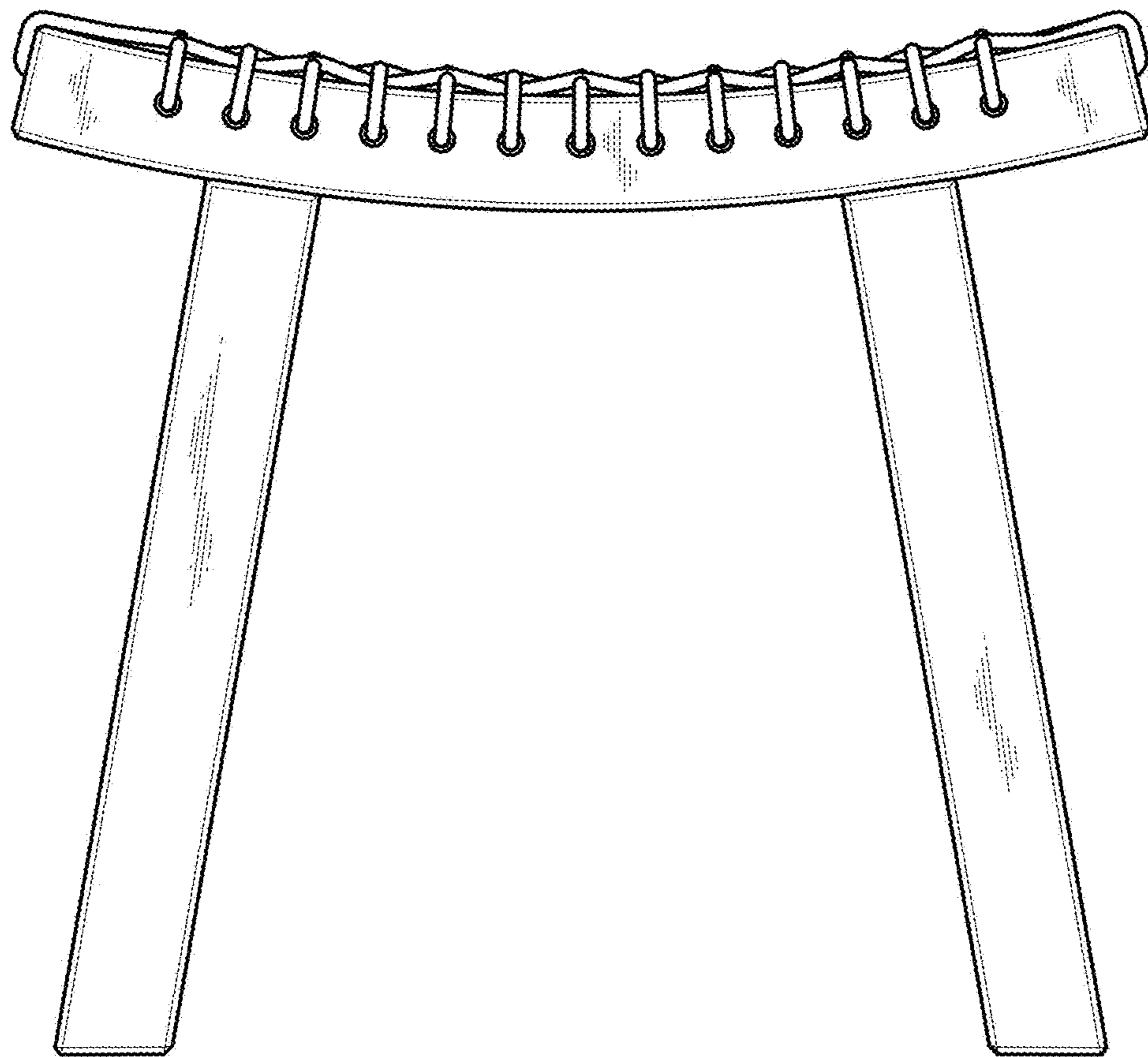


FIG. 2

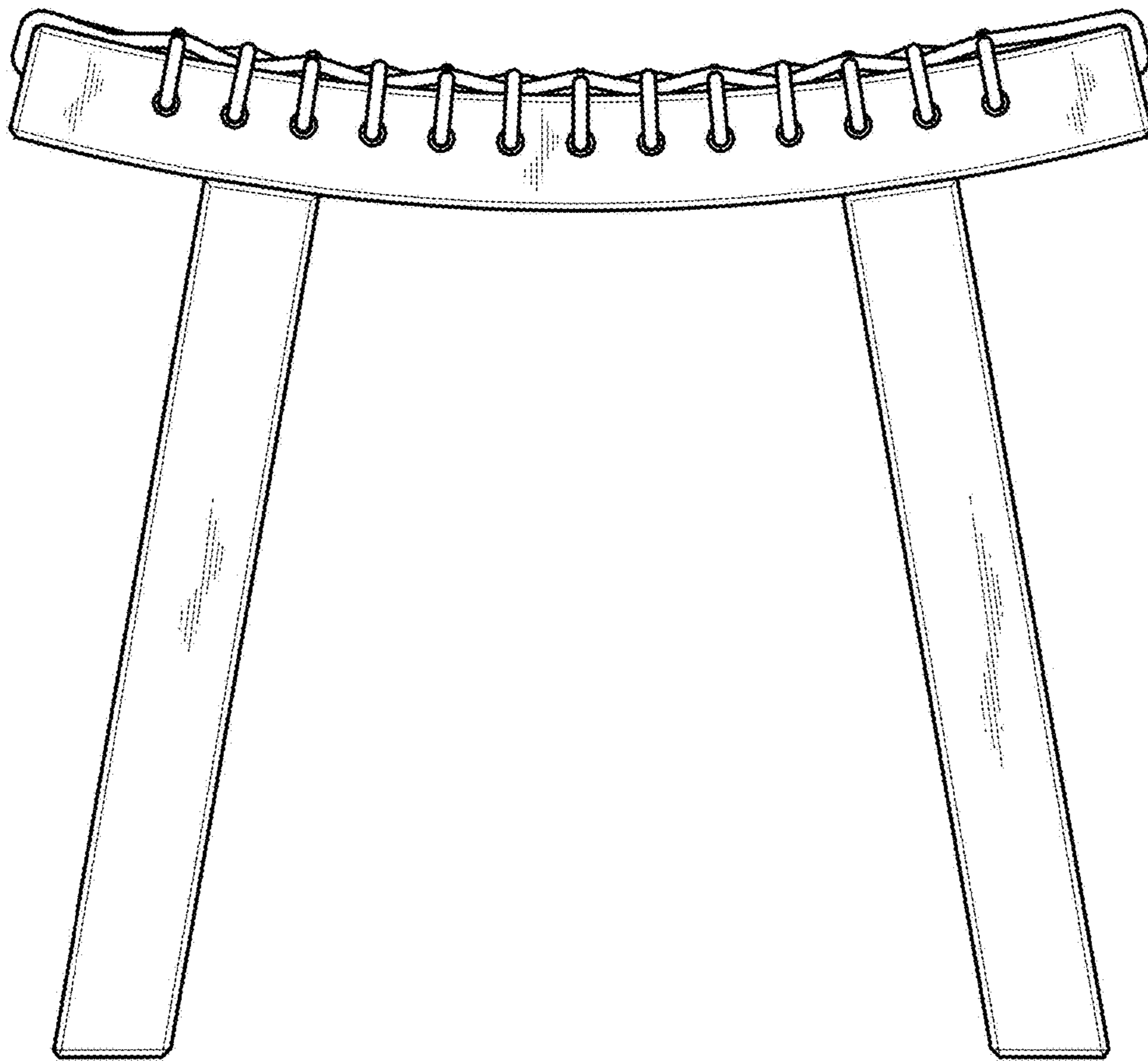


FIG. 3

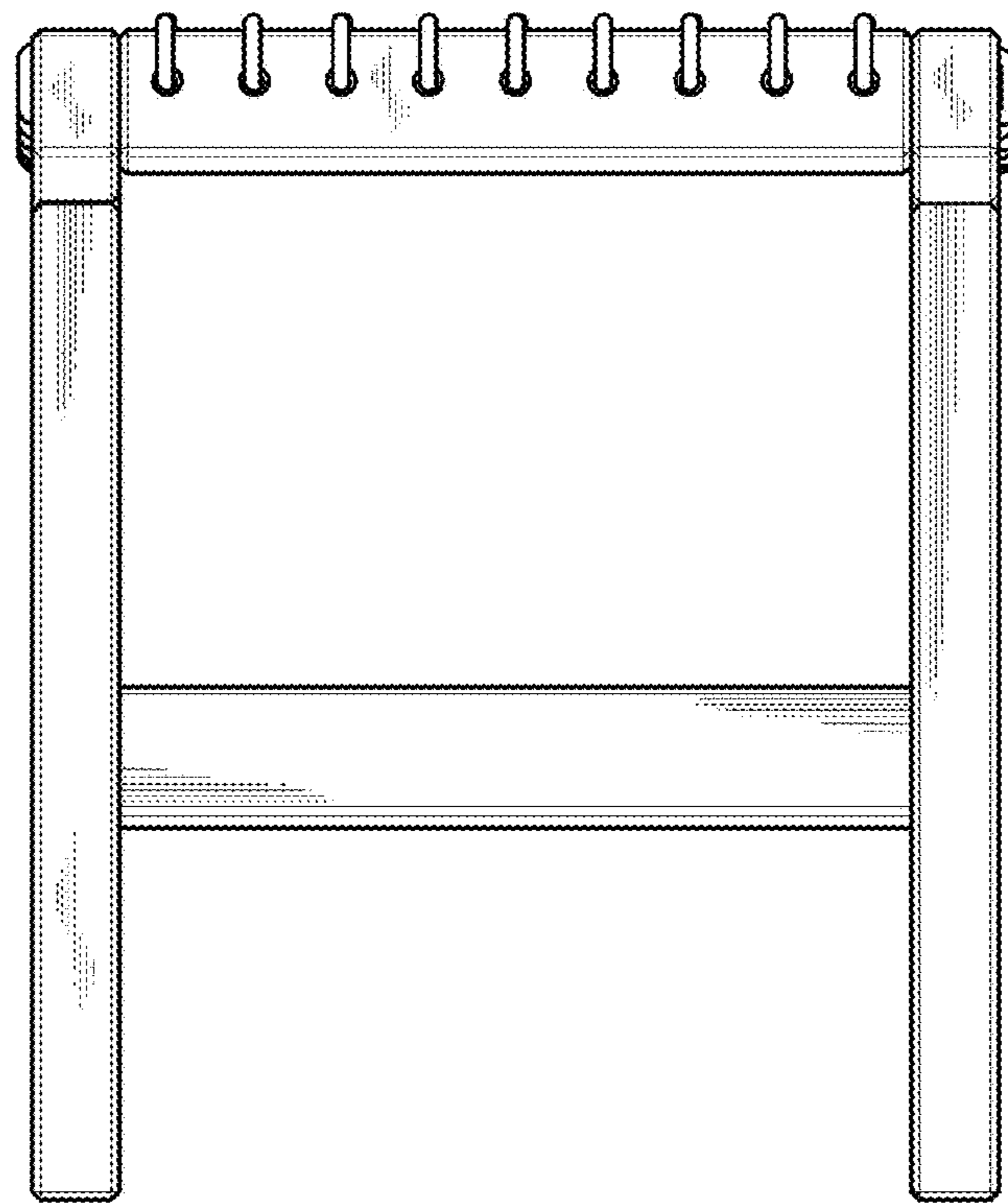


FIG. 4

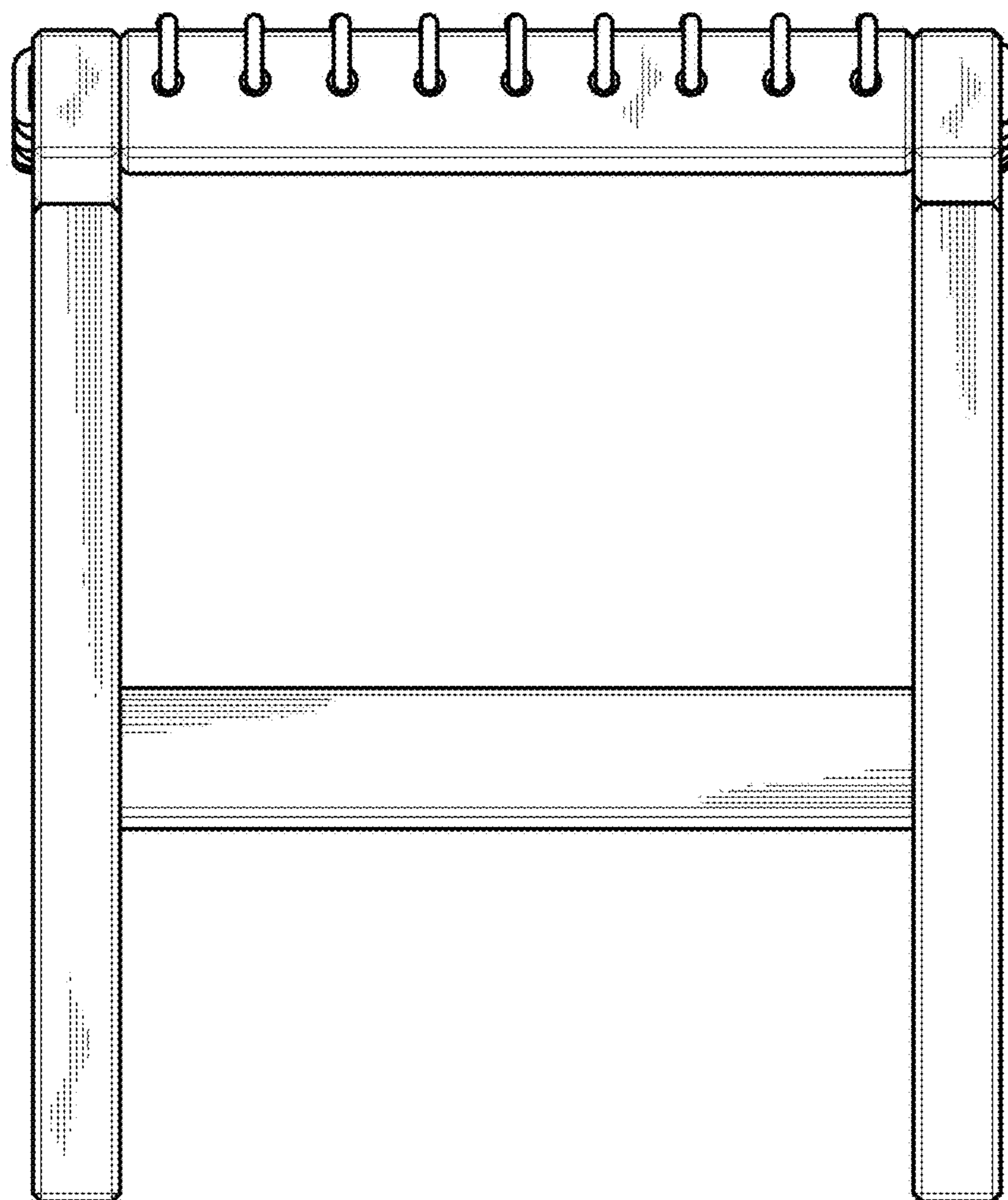


FIG. 5

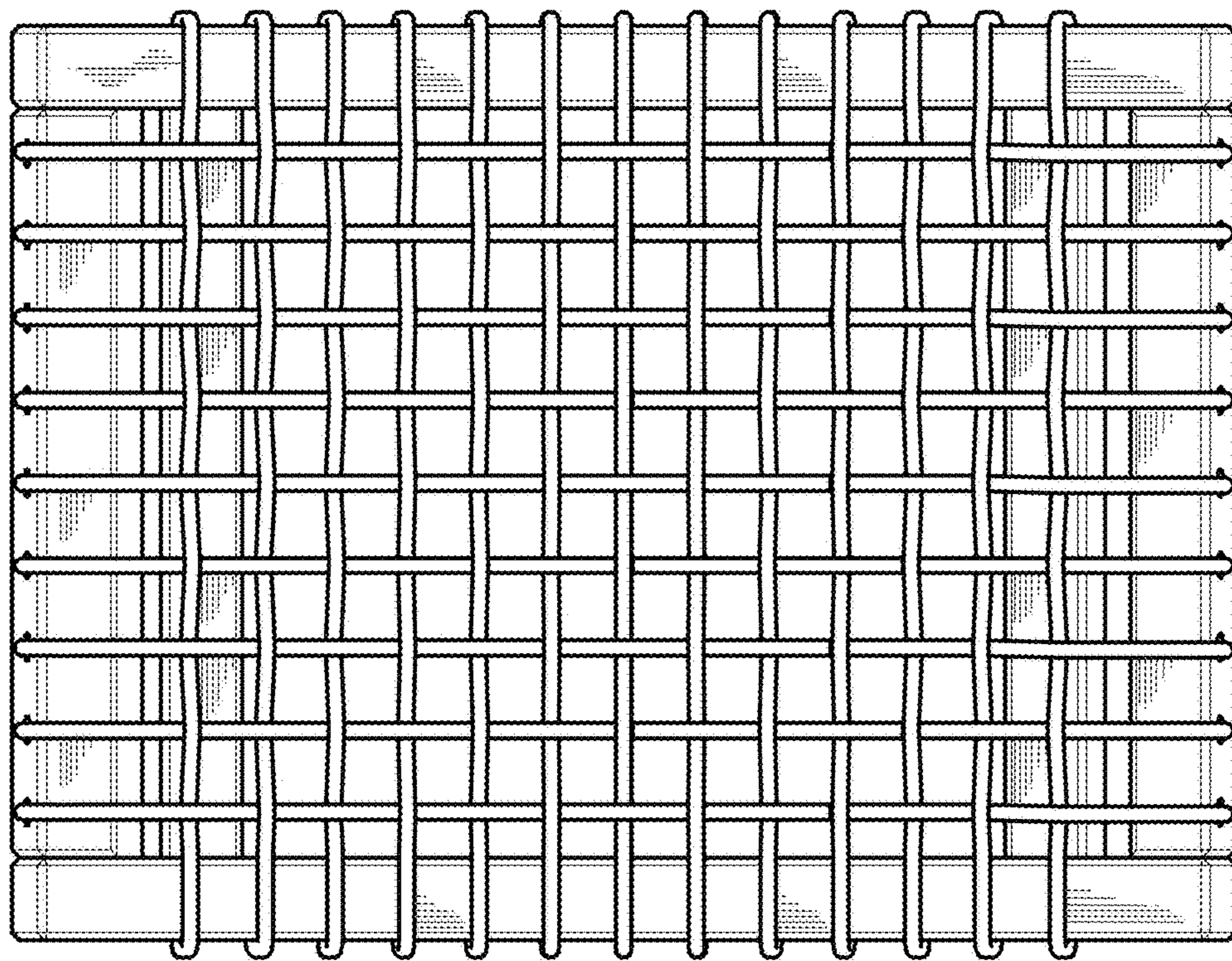


FIG. 6

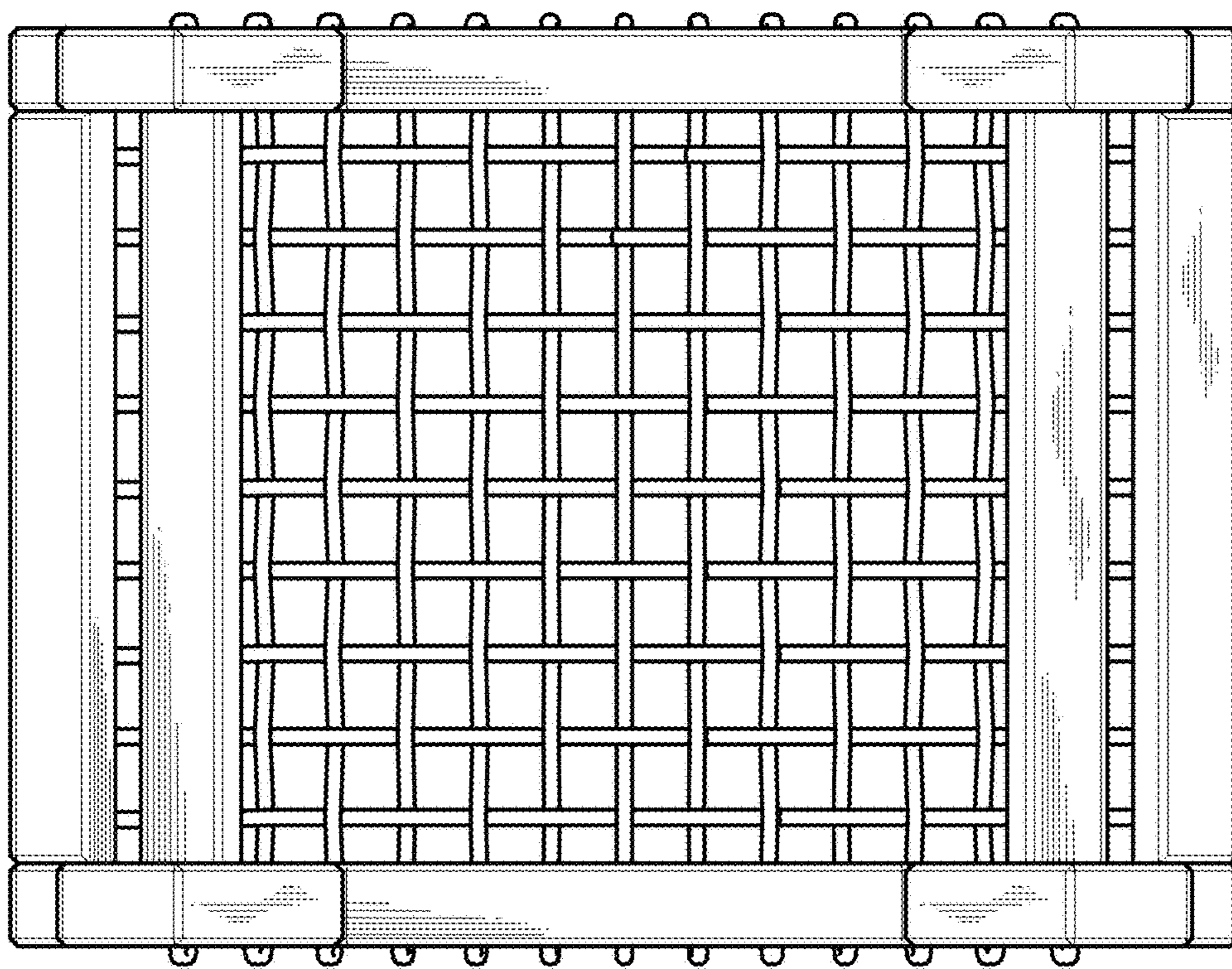


FIG. 7