



US00D864600S

(12) **United States Design Patent**
Shen

(10) **Patent No.:** **US D864,600 S**

(45) **Date of Patent:** **** Oct. 29, 2019**

(54) **SWING**

(71) Applicant: **Linhai Sunrise Leisure Products Co., Ltd.**, Linhai, Taizhou, Zhejiang (CN)

(72) Inventor: **Huaqiang Shen**, Linhai (CN)

(73) Assignee: **LINHAI SUNRISE LEISURE PRODUCTS CO., LTD.**, Linhai, Taizhou, Zhejiang (CN)

(**) Term: **15 Years**

(21) Appl. No.: **29/639,377**

(22) Filed: **Mar. 6, 2018**

(30) **Foreign Application Priority Data**

Sep. 21, 2017 (CN) 2017 3 0449396

(51) **LOC (12) Cl.** **06-01**

(52) **U.S. Cl.**
USPC **D6/347**

(58) **Field of Classification Search**
USPC D6/334-336, 344, 346, 347, 374, 375, D6/379, 716, 716.1, 716.2, 716.3, 716.4
CPC ... A63G 9/00; A63G 9/02; A63G 9/04; A63G 9/14; A47C 3/0255
See application file for complete search history.

(56) **References Cited**

U.S. PATENT DOCUMENTS

D439,423 S * 3/2001 Tseng D6/344
D450,938 S * 11/2001 Liu D6/347

D496,800 S * 10/2004 Pauschitz D6/344
6,935,962 B1 * 8/2005 Tseng A63G 9/00
297/423.2
6,951,369 B1 * 10/2005 Wang A47C 3/0255
297/273
D818,726 S * 5/2018 Zhang D6/347
D818,727 S * 5/2018 Zhang D6/347
D818,728 S * 5/2018 Zhang D6/347

* cited by examiner

Primary Examiner — Mimosa De

(74) *Attorney, Agent, or Firm* — Muncy, Geissler, Olds & Lowe, P.C.

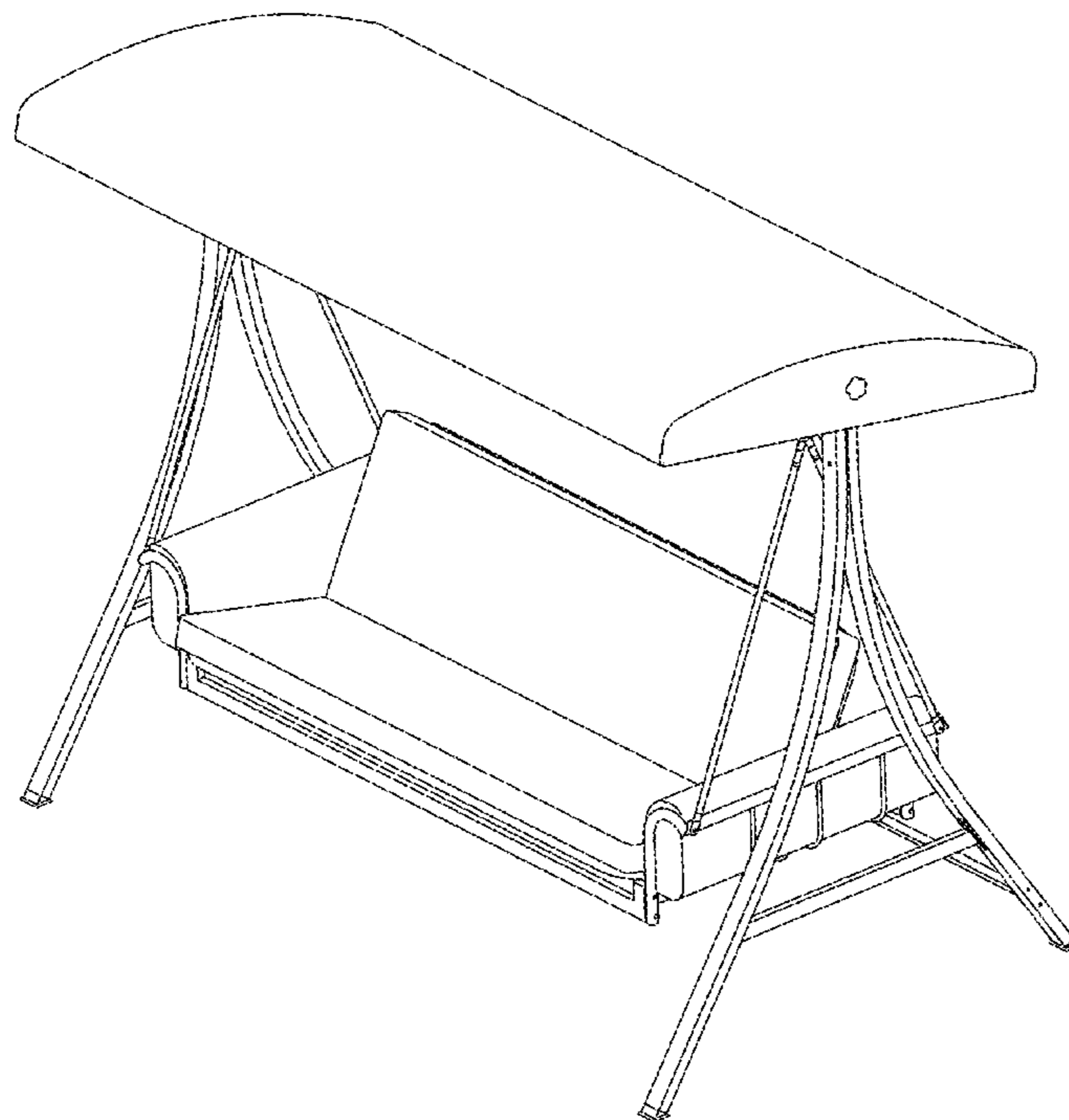
(57) **CLAIM**

The ornamental design for a swing, as shown and described.

DESCRIPTION

FIG. 1 is a Perspective view of a swing showing my new design;
FIG. 2 is a Front elevational view thereof;
FIG. 3 is a Rear elevational view thereof;
FIG. 4 is a Left side view thereof;
FIG. 5 is a Right side view thereof;
FIG. 6 is a Top plan view thereof; and,
FIG. 7 is a Bottom plan view thereof.

1 Claim, 7 Drawing Sheets



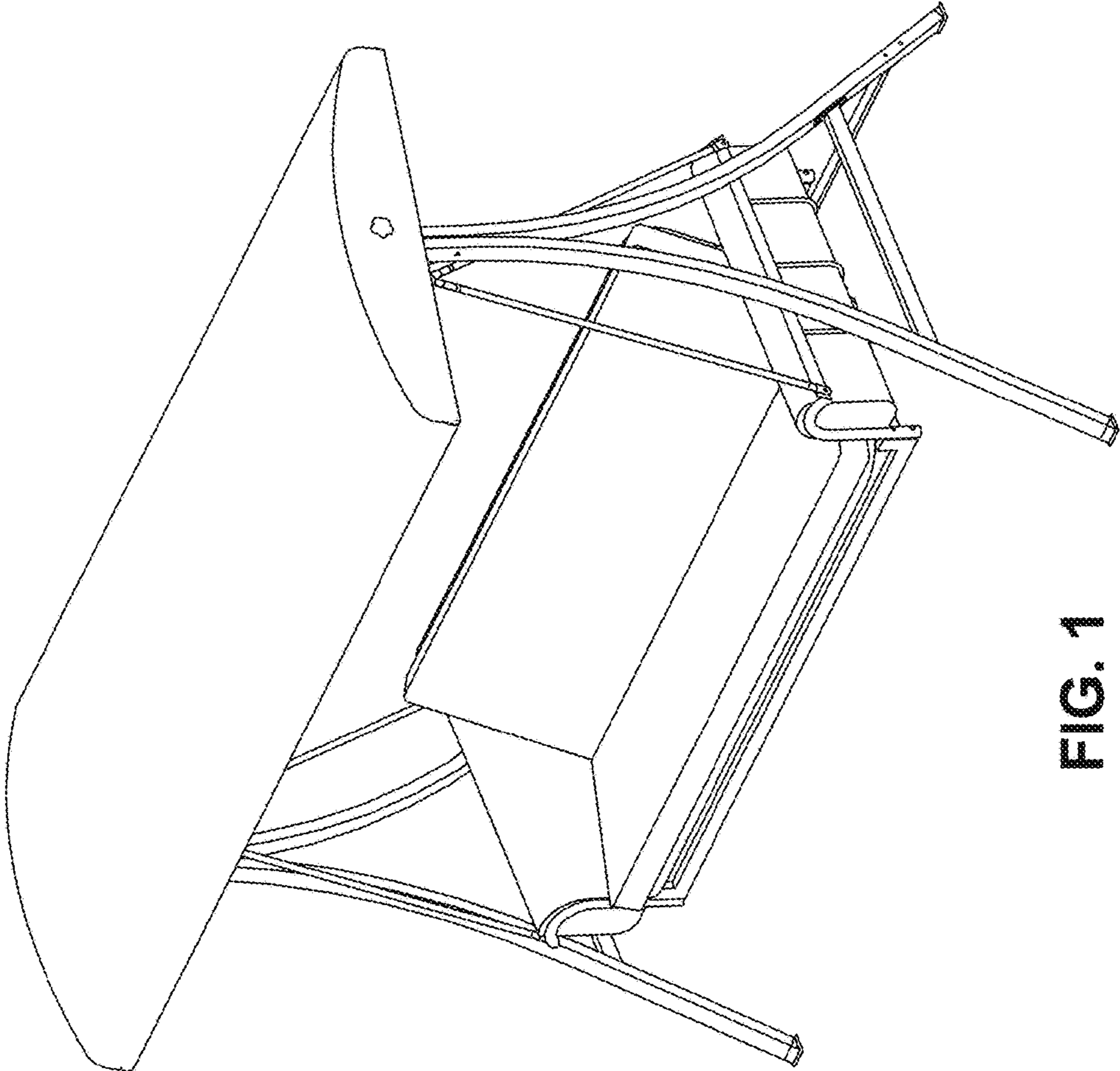


FIG. 1

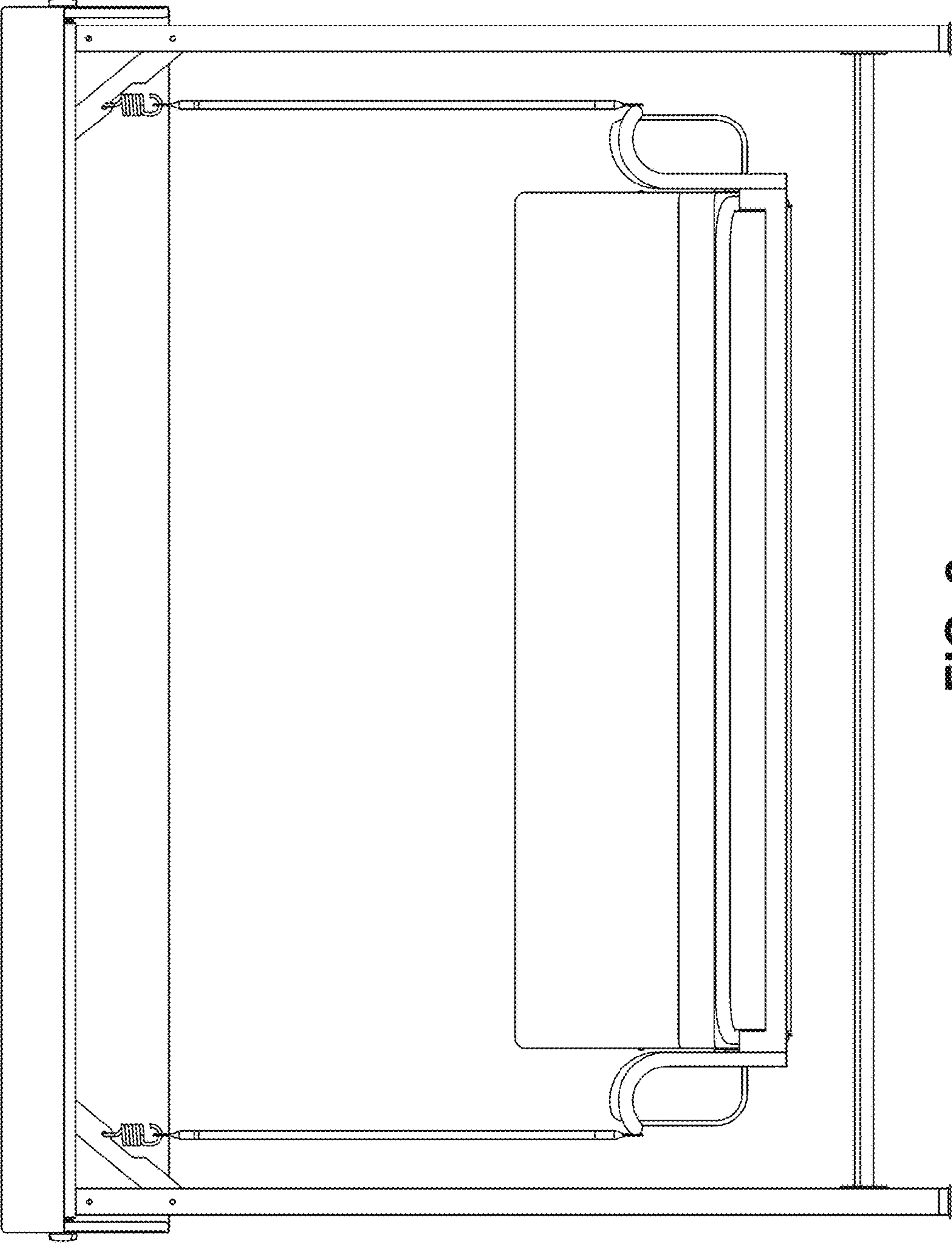


FIG. 2

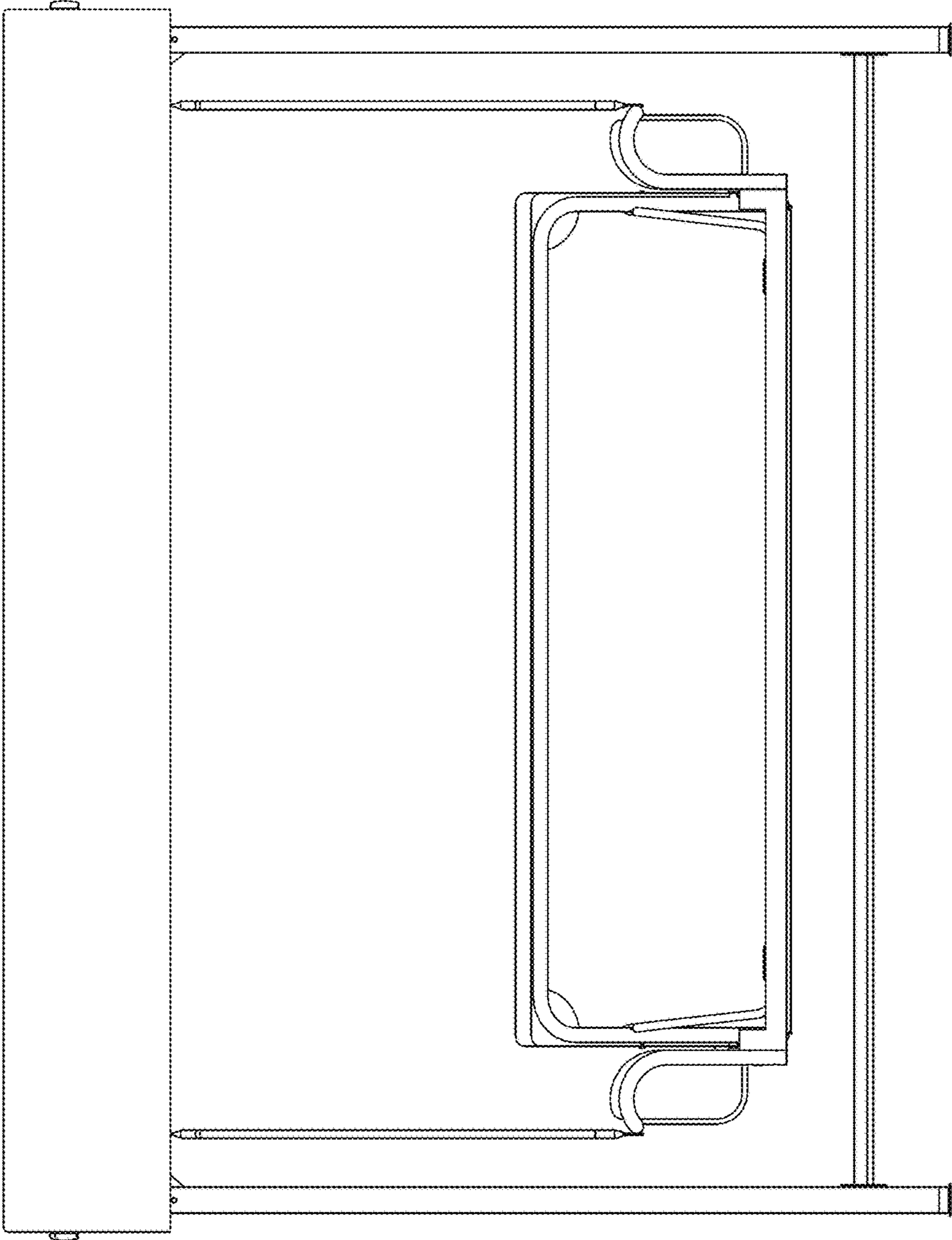


FIG. 3

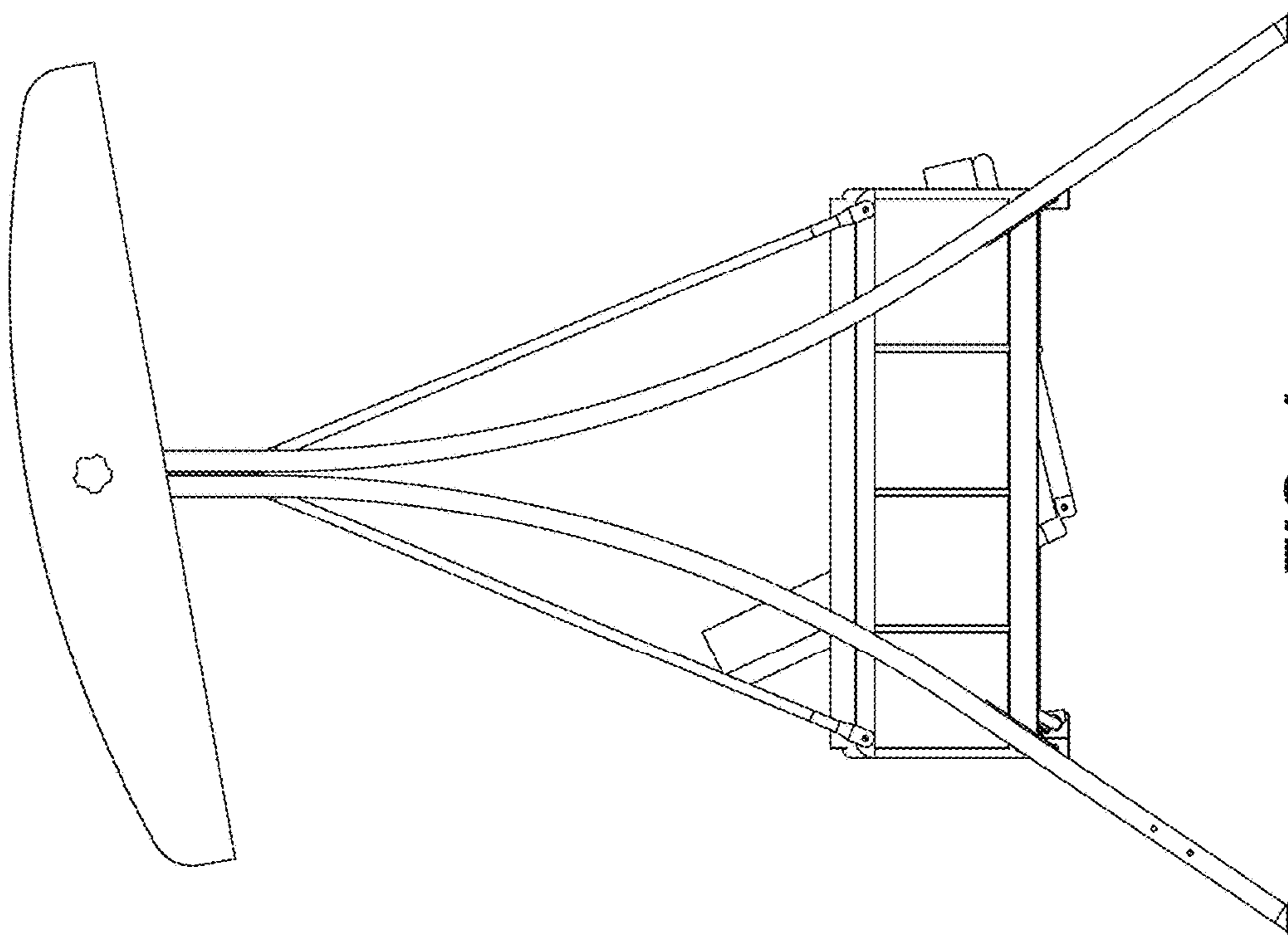


FIG. 4

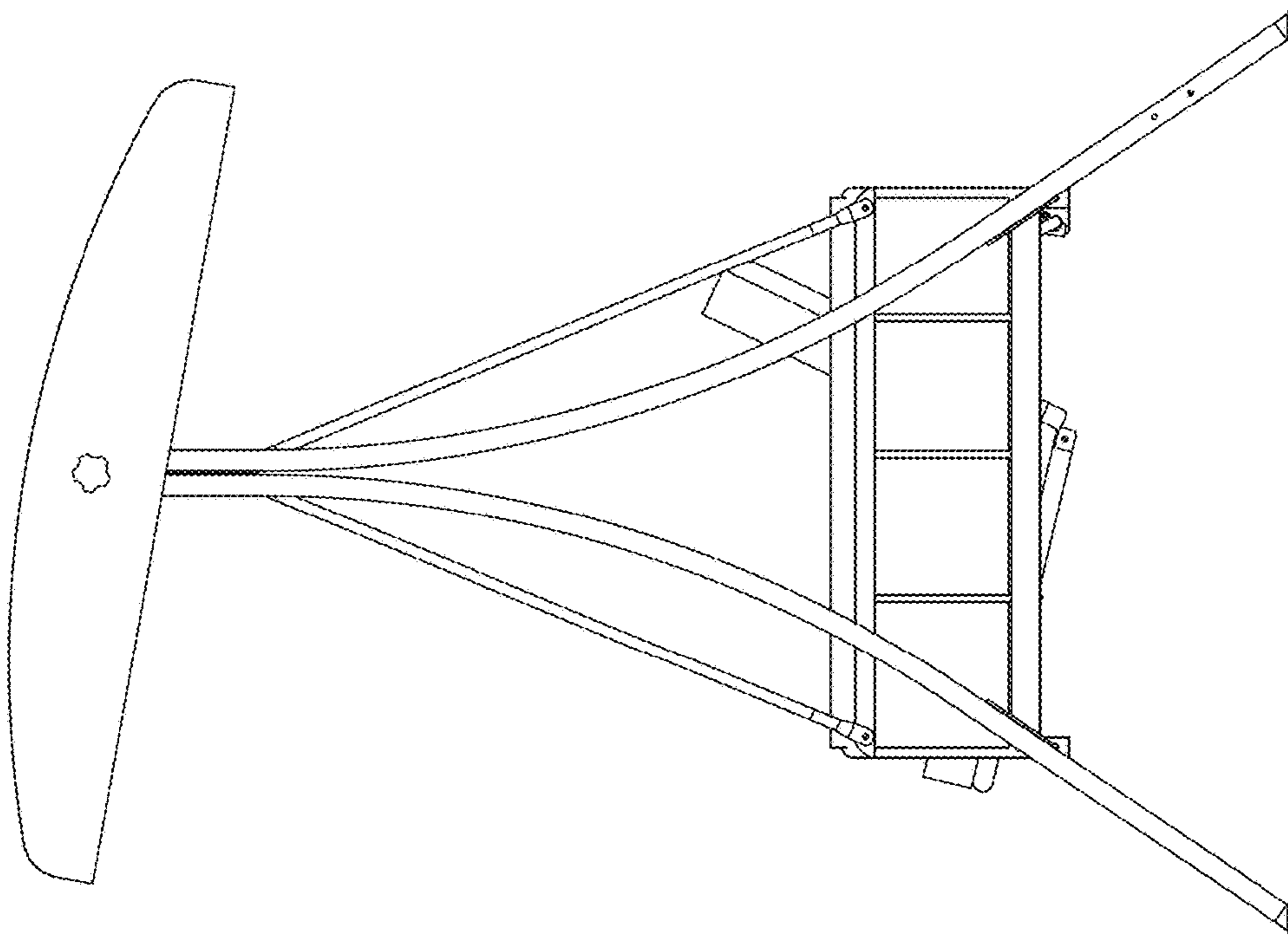


FIG. 5

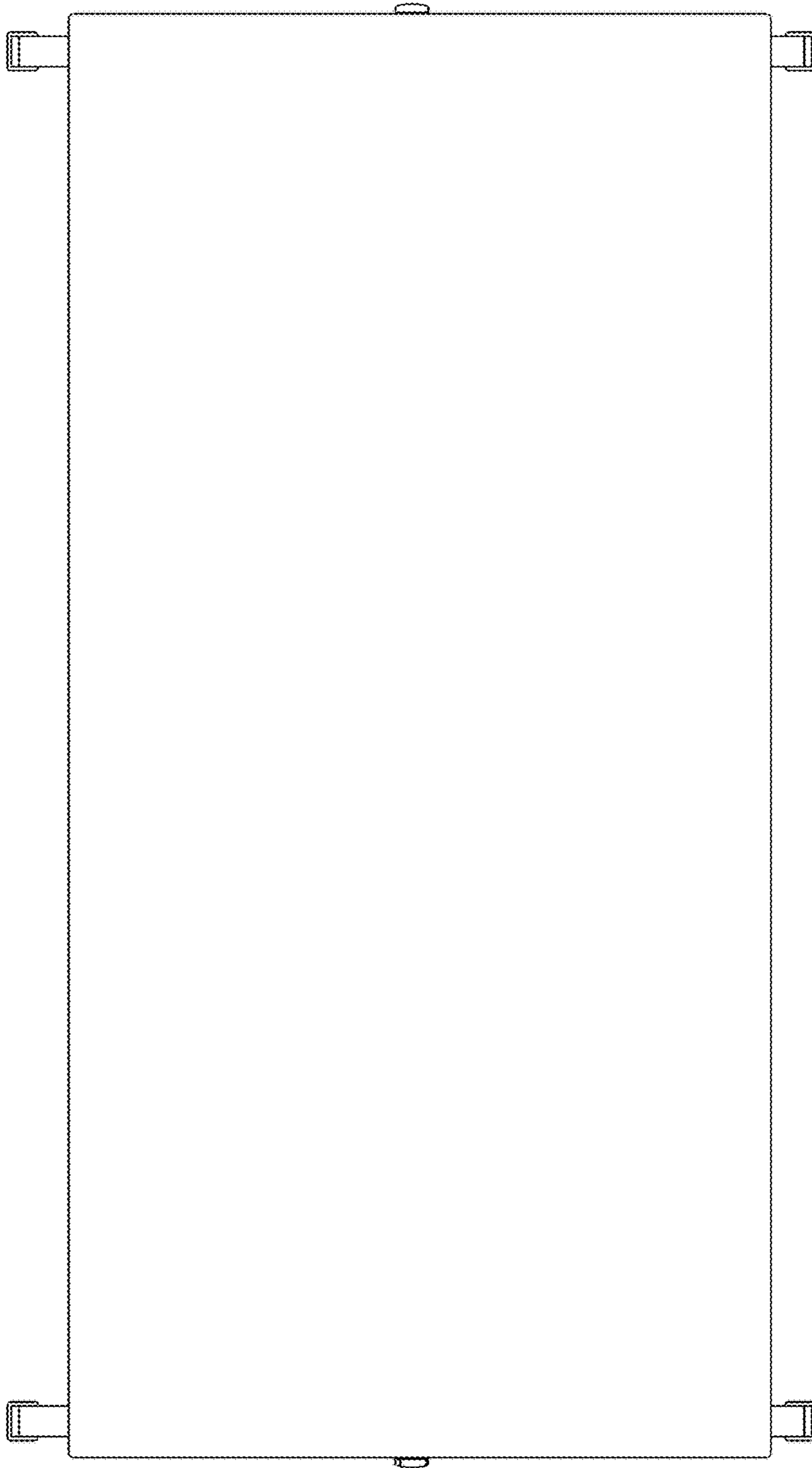


FIG. 6

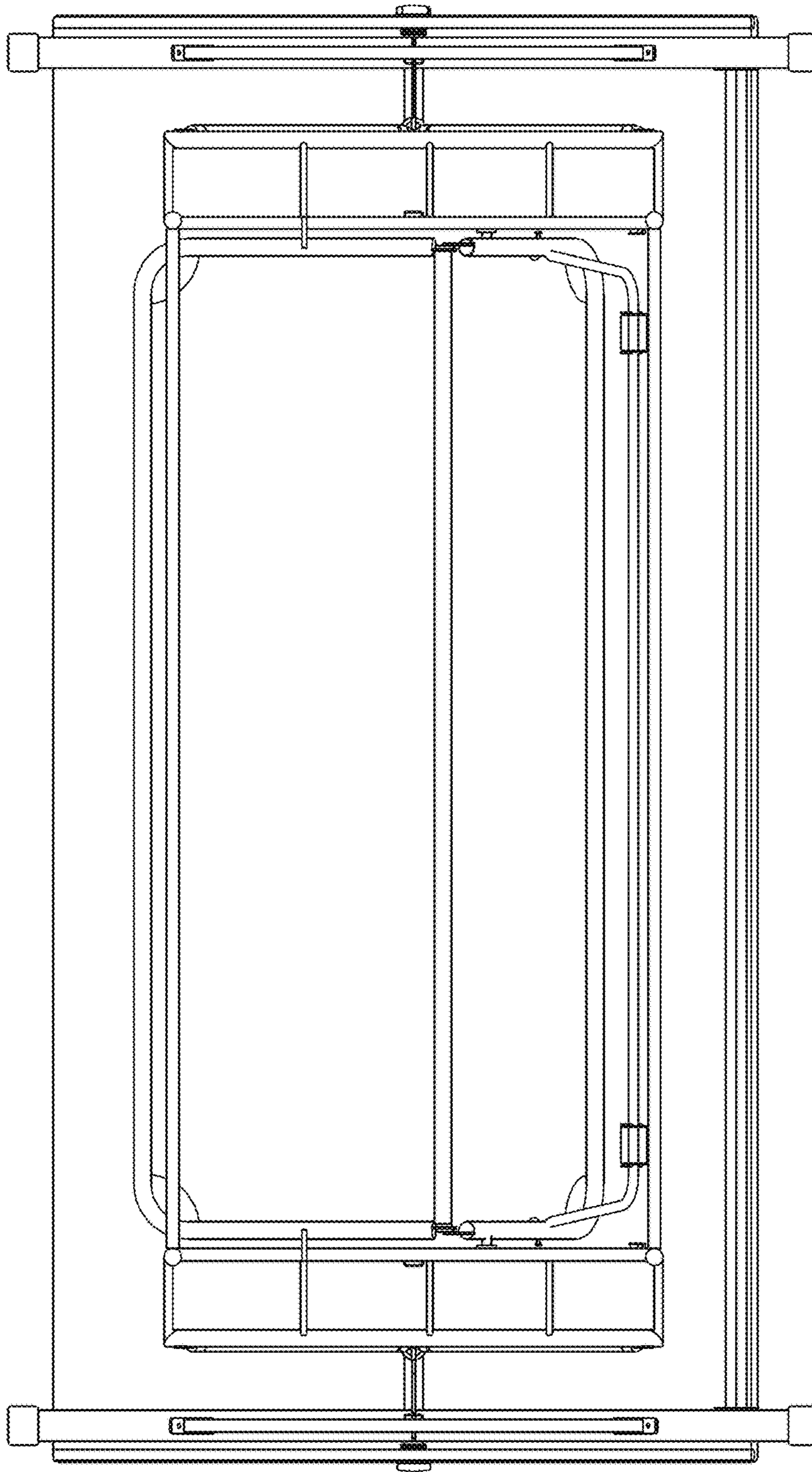


FIG. 7