

US00D864598S

(12) **United States Design Patent** (10) **Patent No.:** **US D864,598 S**  
**Chatzichronoglou** (45) **Date of Patent:** **\*\* Oct. 29, 2019**

(54) **STAND**

3/00; A47F 3/08; A47F 3/007; A47F  
5/0018; A47F 5/00; A47F 5/0043; A47F  
5/10

(71) Applicant: **SWATCH LTD.**, Biel/Bienne (CH)

See application file for complete search history.

(72) Inventor: **Efthalia Chatzichronoglou**, Basil (CH)

(56)

**References Cited**

(73) Assignee: **SWATCH LTD.**, Biel/Bienne (CH)

U.S. PATENT DOCUMENTS

(\*\*) Term: **15 Years**

D289,838 S *	5/1987	Taub .....	D6/683
D437,713 S *	2/2001	Young .....	D6/683.1
D438,403 S *	3/2001	Greenburg .....	D6/675.3
D474,354 S *	5/2003	Mandell .....	D6/683
D586,579 S *	2/2009	Hunayama .....	D18/4.6
D696,879 S *	1/2014	Roekens .....	D6/675.1

(21) Appl. No.: **29/646,462**

(22) Filed: **May 4, 2018**

\* cited by examiner

(30) **Foreign Application Priority Data**

Nov. 20, 2017 (WO) ..... DM/0988634

(51) **LOC (12) Cl.** ..... **06-03**

*Primary Examiner* — Abraham Bahta

(52) **U.S. Cl.**

(74) *Attorney, Agent, or Firm* — Abelman, Frayne & Schwab

USPC ..... **D6/329**

(58) **Field of Classification Search**

(57) **CLAIM**

USPC ..... D6/559–561, 663, 664, 671.2, 699, 672,  
D6/673, 675, 684, 691, 669, 703, 329;  
D21/686; D34/17–21, 78; D14/302, 305,  
D14/308, 314, 900; D3/304, 203.1, 295,  
D3/297; D23/286; D24/227–230;  
361/679.02, 679.01, 679.08; D12/174,  
D12/114, 121, 125, 180, 415, 424

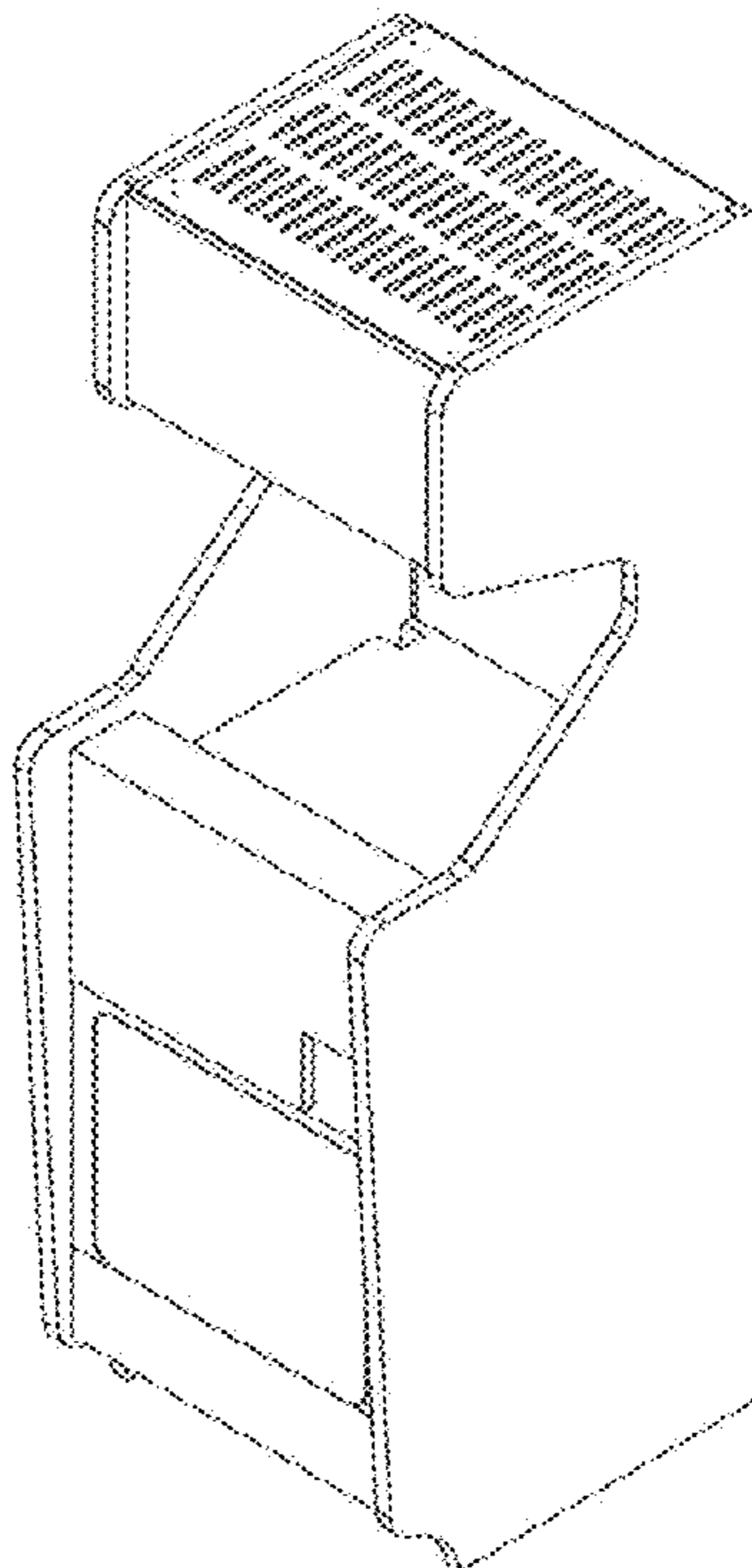
The ornamental design for a stand, as shown and described.

CPC ..... A47B 2097/005; A47B 2097/006; A47B  
67/04; A47B 67/00; A47B 81/00; A47B  
81/06; A47B 81/067; A47B 81/002; A47B  
77/00; A47B 77/02; A47B 87/008; A47B  
96/00; A47B 96/16; A47B 96/18; A47F

**DESCRIPTION**

FIG. 1 is a front view of a stand showing the new design; FIG. 2 is a left side elevational view thereof, the right side elevational view being a mirror image thereof; and, FIG. 3 is a top, right side, and front perspective view thereof. The bottom and rear views of the stand are non-ornamental and have not been claimed and therefore are not shown in the drawings.

**1 Claim, 3 Drawing Sheets**



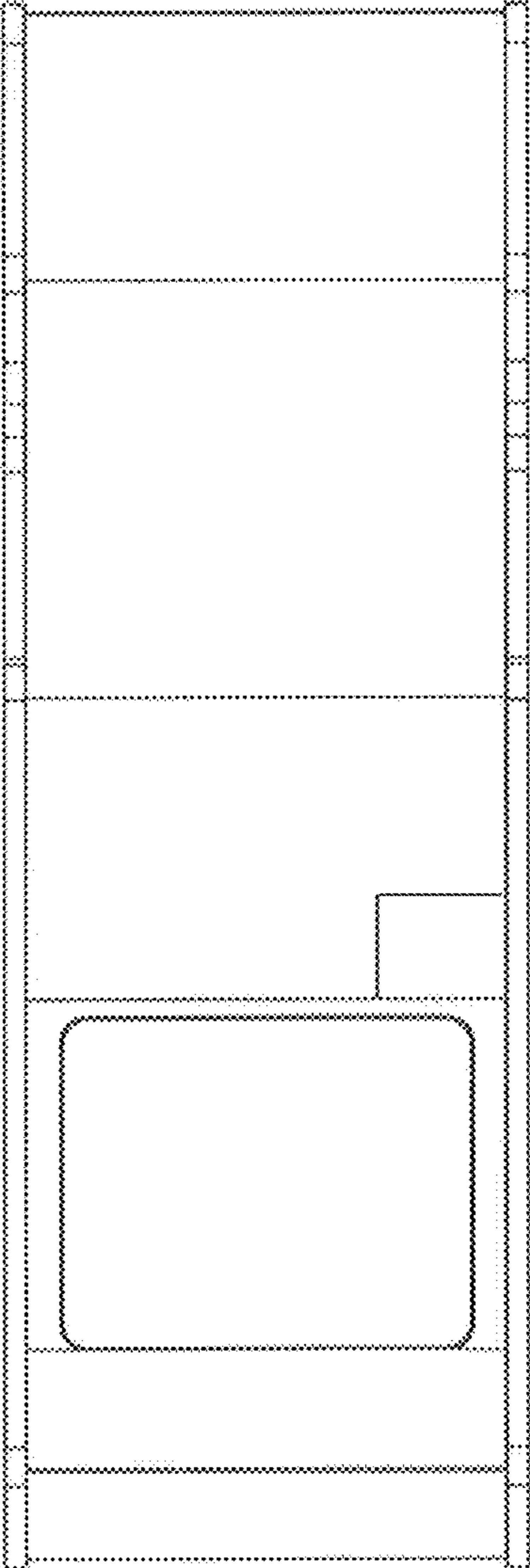


FIG. 1

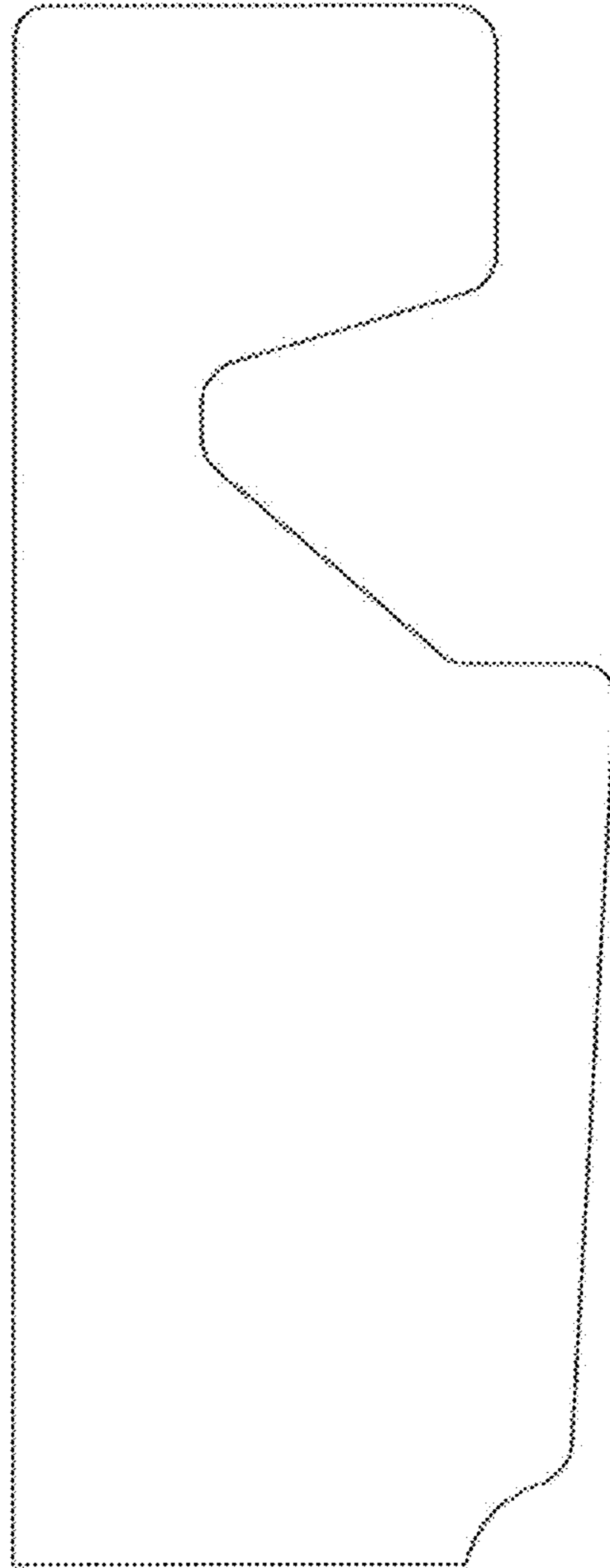


FIG. 2

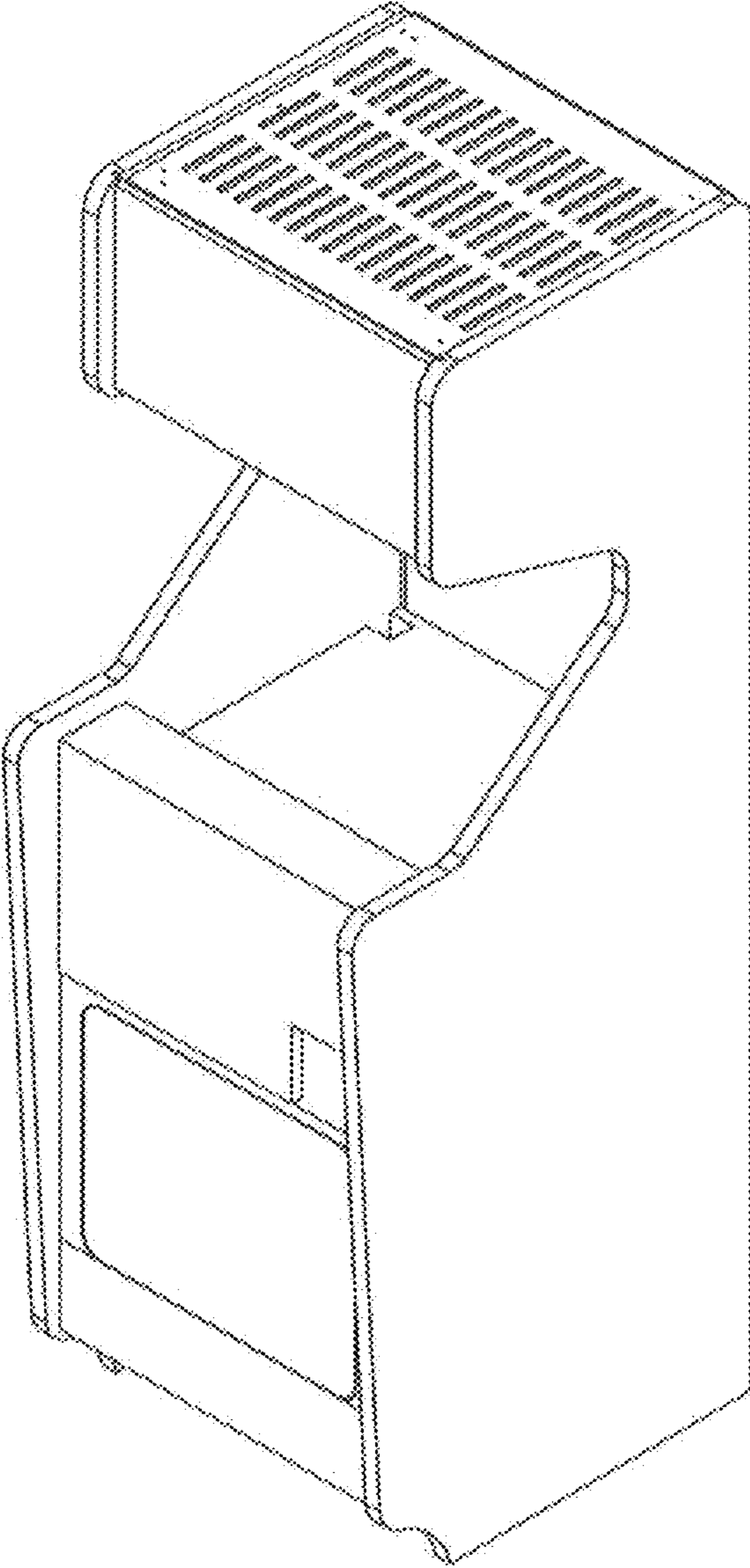


FIG. 3