



US00D864587S

(12) **United States Design Patent**  
**Lentini**

(10) **Patent No.:** **US D864,587 S**

(45) **Date of Patent:** **\*\* Oct. 29, 2019**

(54) **PAINT BRUSH ATTACHMENT**

(71) Applicant: **Steven Lentini**, Brooklyn, NY (US)

(72) Inventor: **Steven Lentini**, Brooklyn, NY (US)

(\*\*) Term: **15 Years**

(21) Appl. No.: **29/620,802**

(22) Filed: **Jun. 6, 2017**

(51) **LOC (12) Cl.** ..... **04-99**

(52) **U.S. Cl.**  
USPC ..... **D4/199**

(58) **Field of Classification Search**  
USPC ..... D4/100, 102, 114, 135, 116, 121, 127;  
15/21.1, 22.1, 23, 24, 28, 29, 191.1, 192,  
15/193, 194, 166, 168, 171, 175, 176.1;  
132/218, 217; D28/7, 57  
CPC ..... B05C 1/00; B05C 1/02; B05C 17/0205;  
B44D 2/00

See application file for complete search history.

(56) **References Cited**

**U.S. PATENT DOCUMENTS**

2,952,863	A	9/1960	Klecki	
3,210,791	A	10/1965	Rogholt	
3,341,879	A	9/1967	Krumpman	
3,698,033	A	10/1972	French	
D631,289	S *	1/2011	Tuli	D10/57
D637,007	S *	5/2011	Miller	D4/199
D658,433	S *	5/2012	Zemel	D7/393
D682,018	S *	5/2013	Zemel	D7/393
D689,737	S *	9/2013	Zepter	D7/395

D749,898	S *	2/2016	Hundley	D7/395
D751,824	S *	3/2016	Childs	D4/135
9,565,973	B2 *	2/2017	Paul	A47J 45/071
D782,828	S *	4/2017	Hwang	D4/138
D837,533	S *	1/2019	Zemel	D4/199

\* cited by examiner

*Primary Examiner* — Austin Murphy

(57) **CLAIM**

The ornamental new design for a paint brush attachment, as shown and described.

**DESCRIPTION**

FIG. 1 is a perspective front view of a new design for a paint brush attachment in accordance with the presently disclosed design, the dotted line showing of a paint brush does not form a part of the claimed design;

FIG. 2 is a front elevation view thereof;

FIG. 3 is a rear elevation view thereof, the dotted line showing of a magnetic base not forming part of the claimed design;

FIG. 4 is an exploded perspective view showing the magnetically attached shield;

FIG. 5 is an exploded perspective view showing an alternative shaped magnetically attached shield;

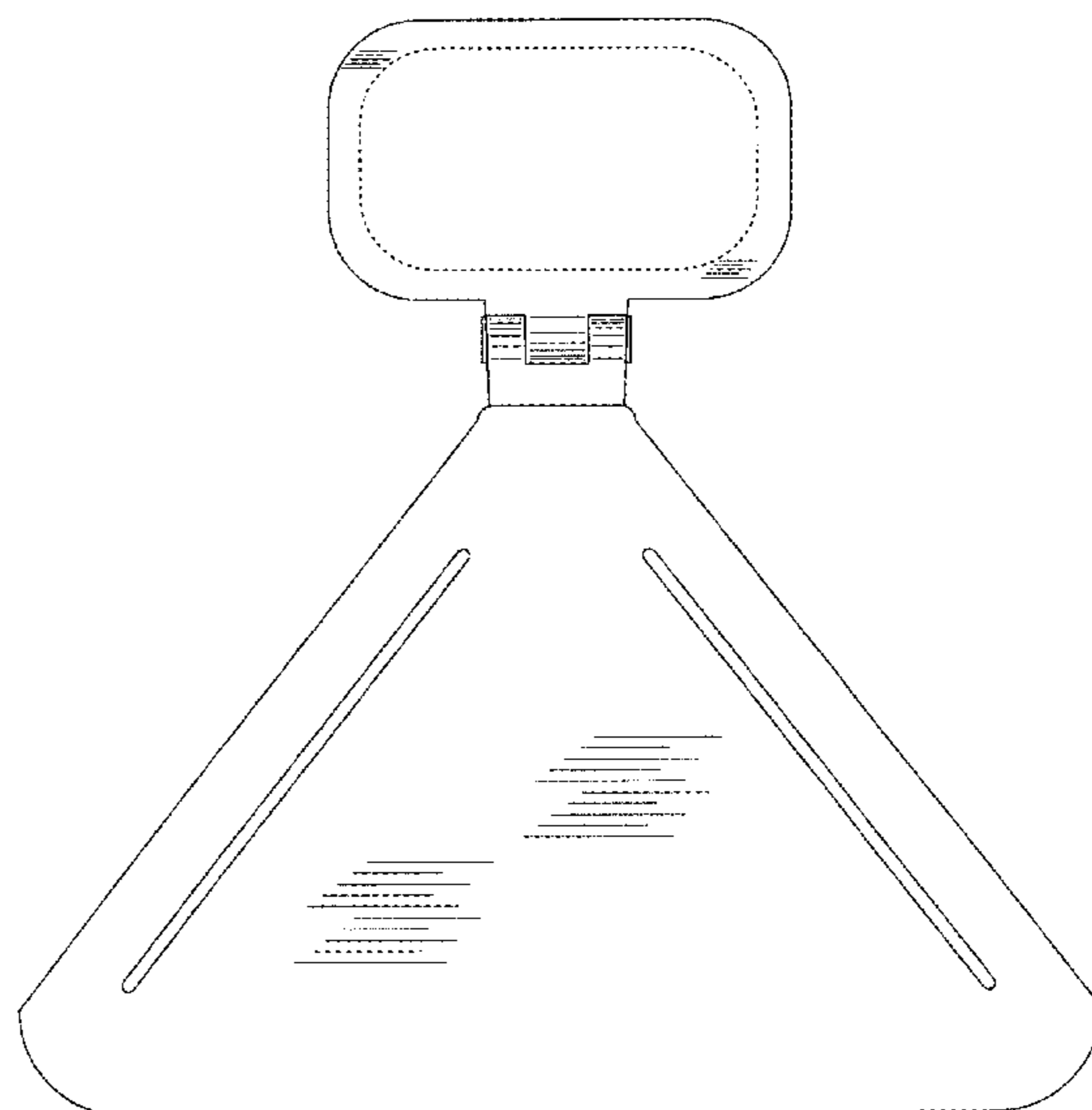
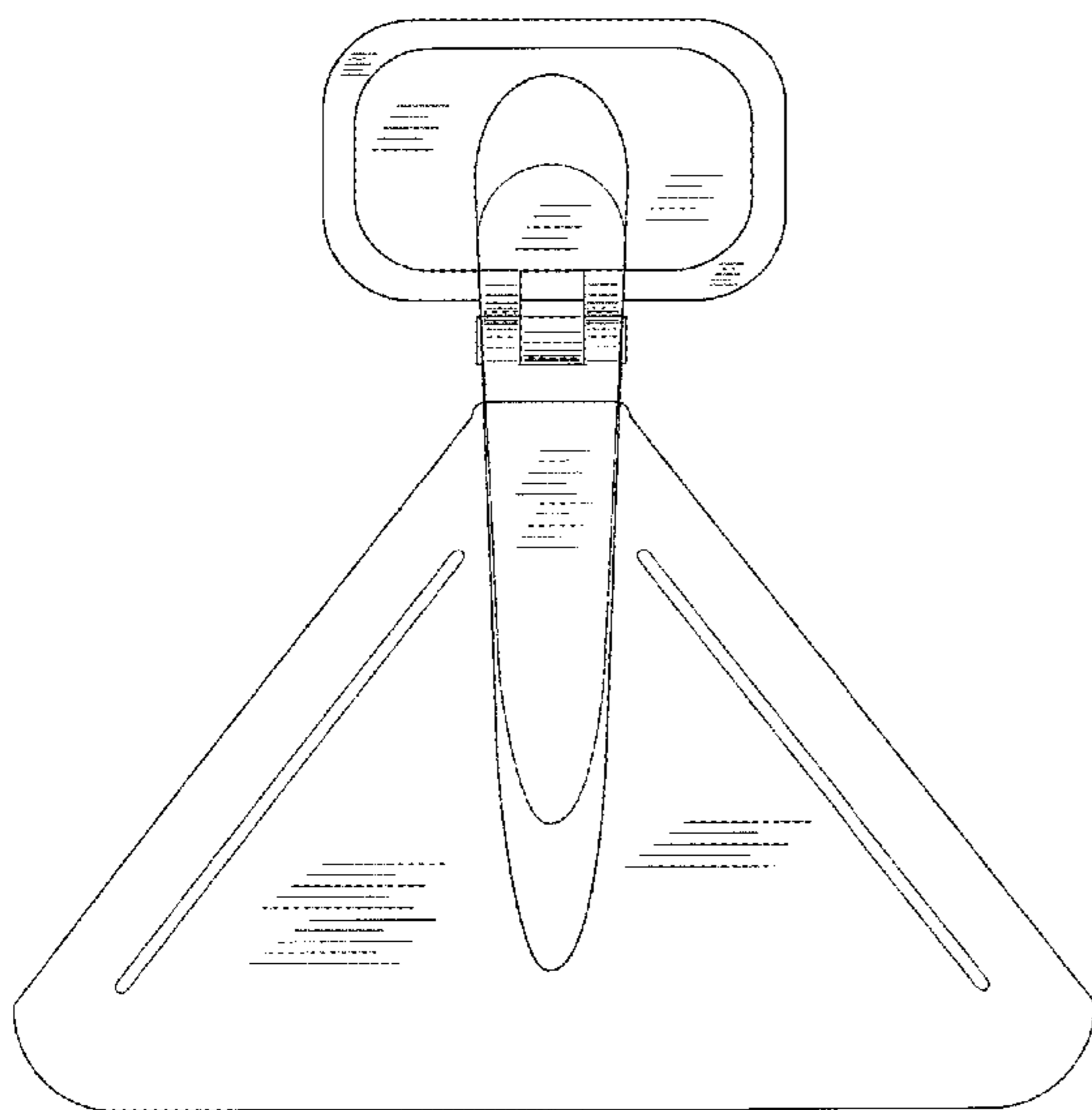
FIG. 6 is a top elevation view thereof;

FIG. 7 is a bottom elevation view thereof;

FIG. 8 is a right-side elevation view showing the shield in its raised position, the left side being a mirror image thereof; and,

FIG. 9 is a right-side elevation view showing the shield in its lowered position, the left side being a mirror image thereof.

**1 Claim, 9 Drawing Sheets**



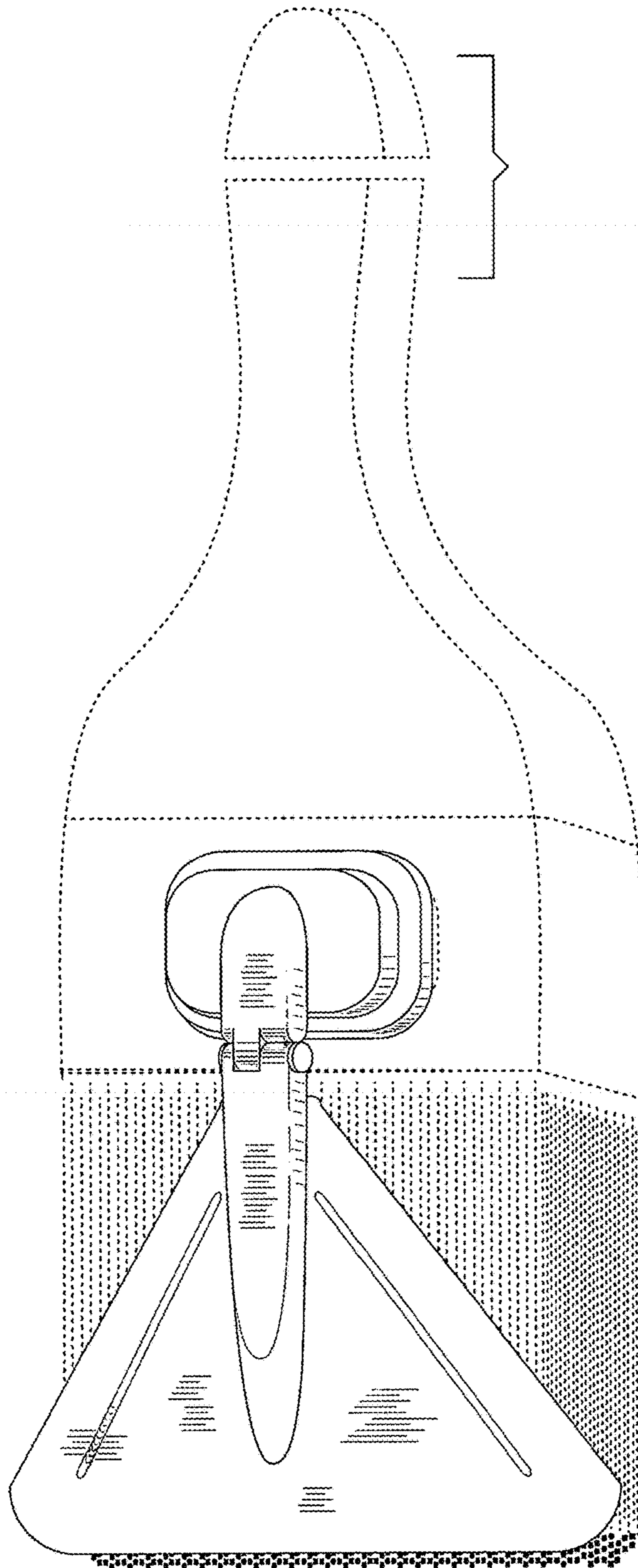


Figure 1

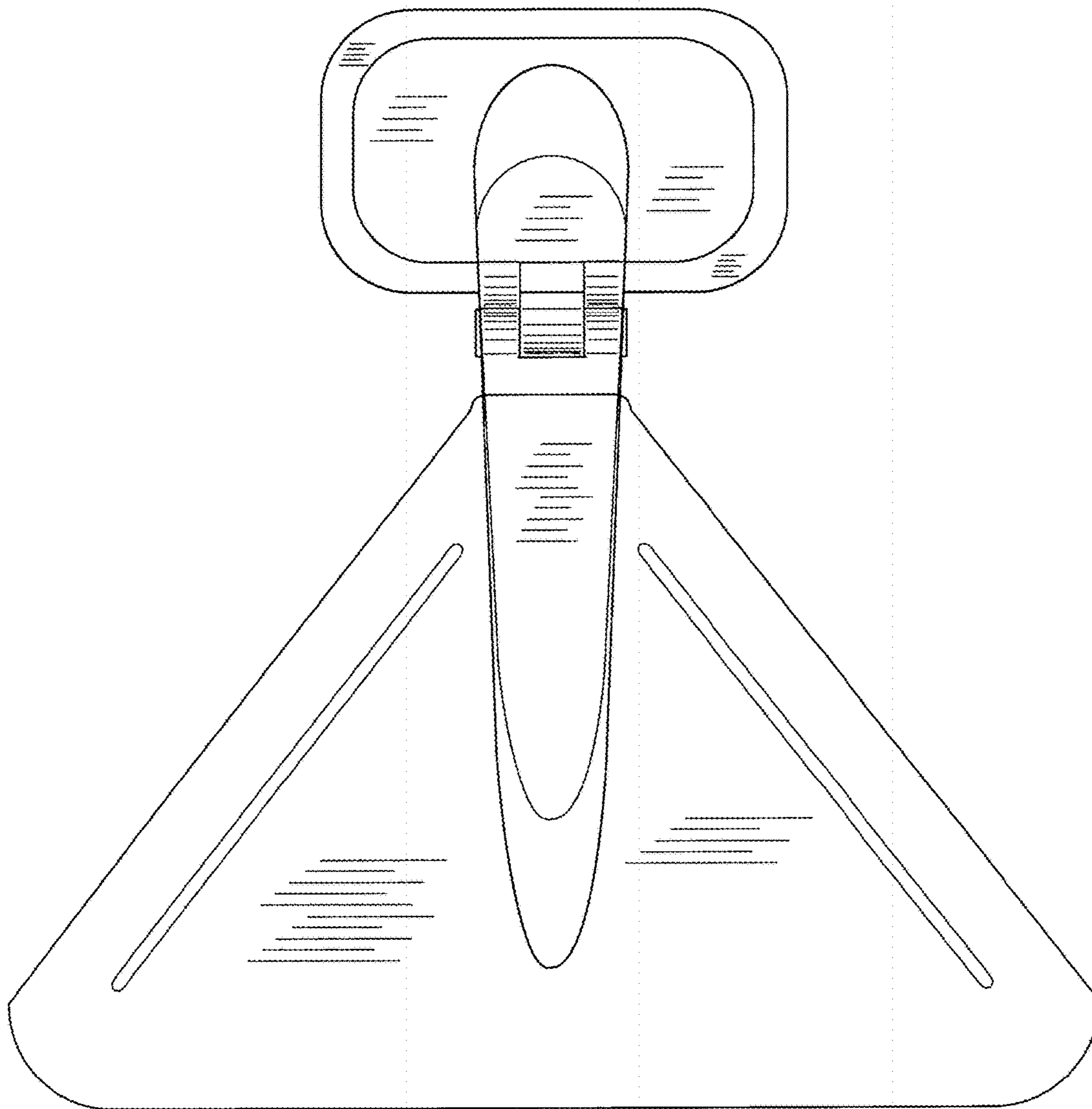


Figure 2

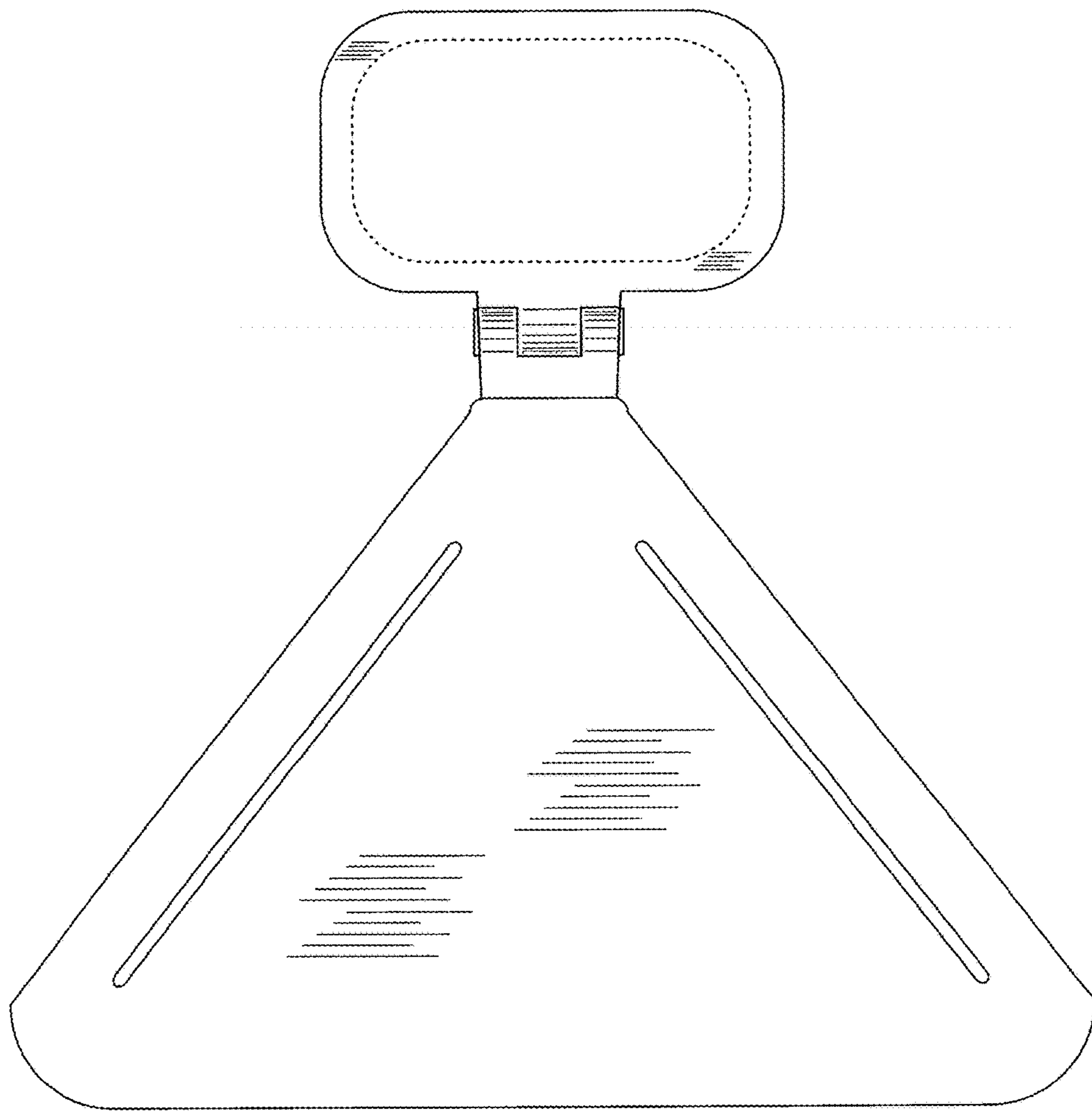


Figure 3

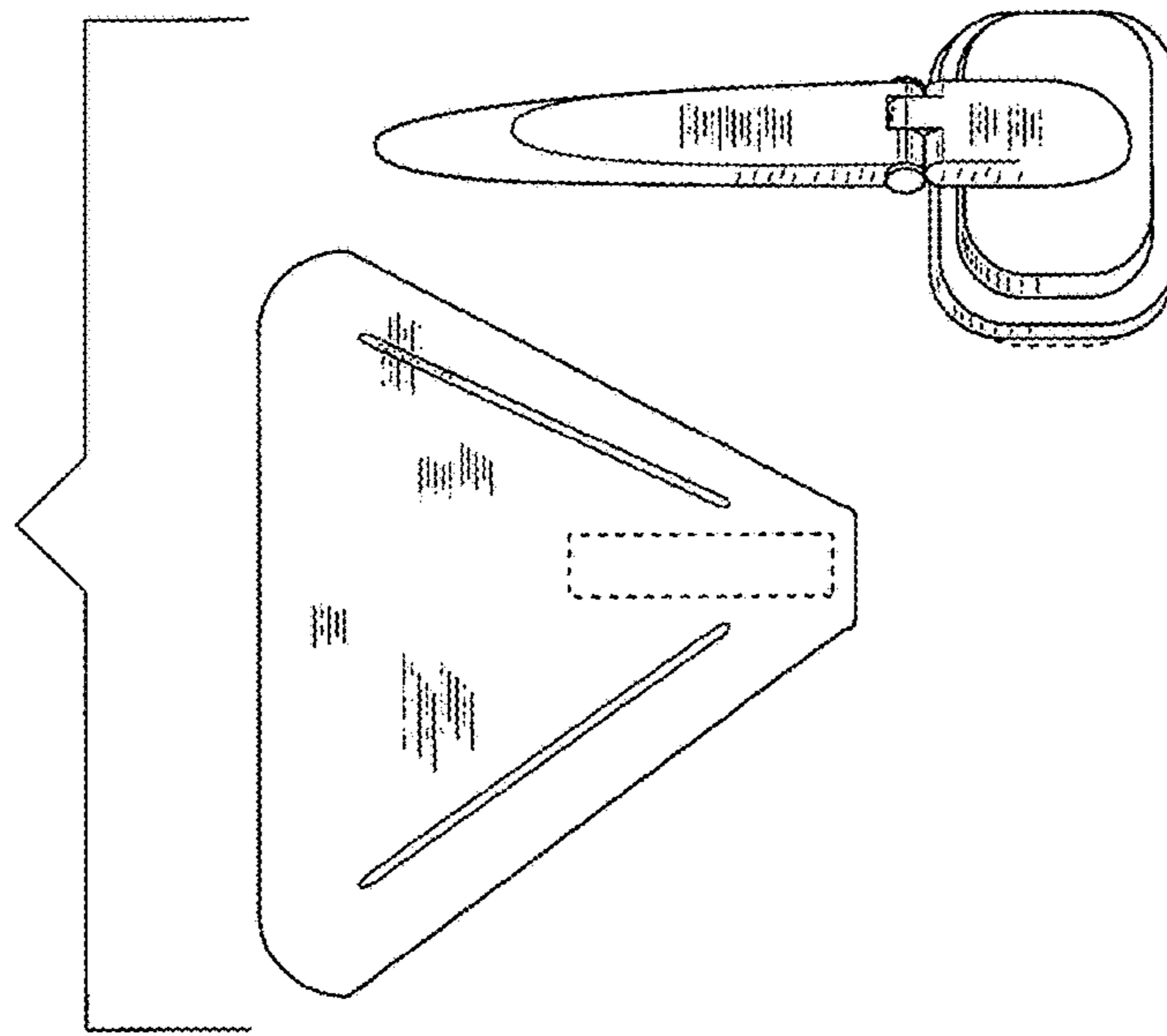


Figure 4



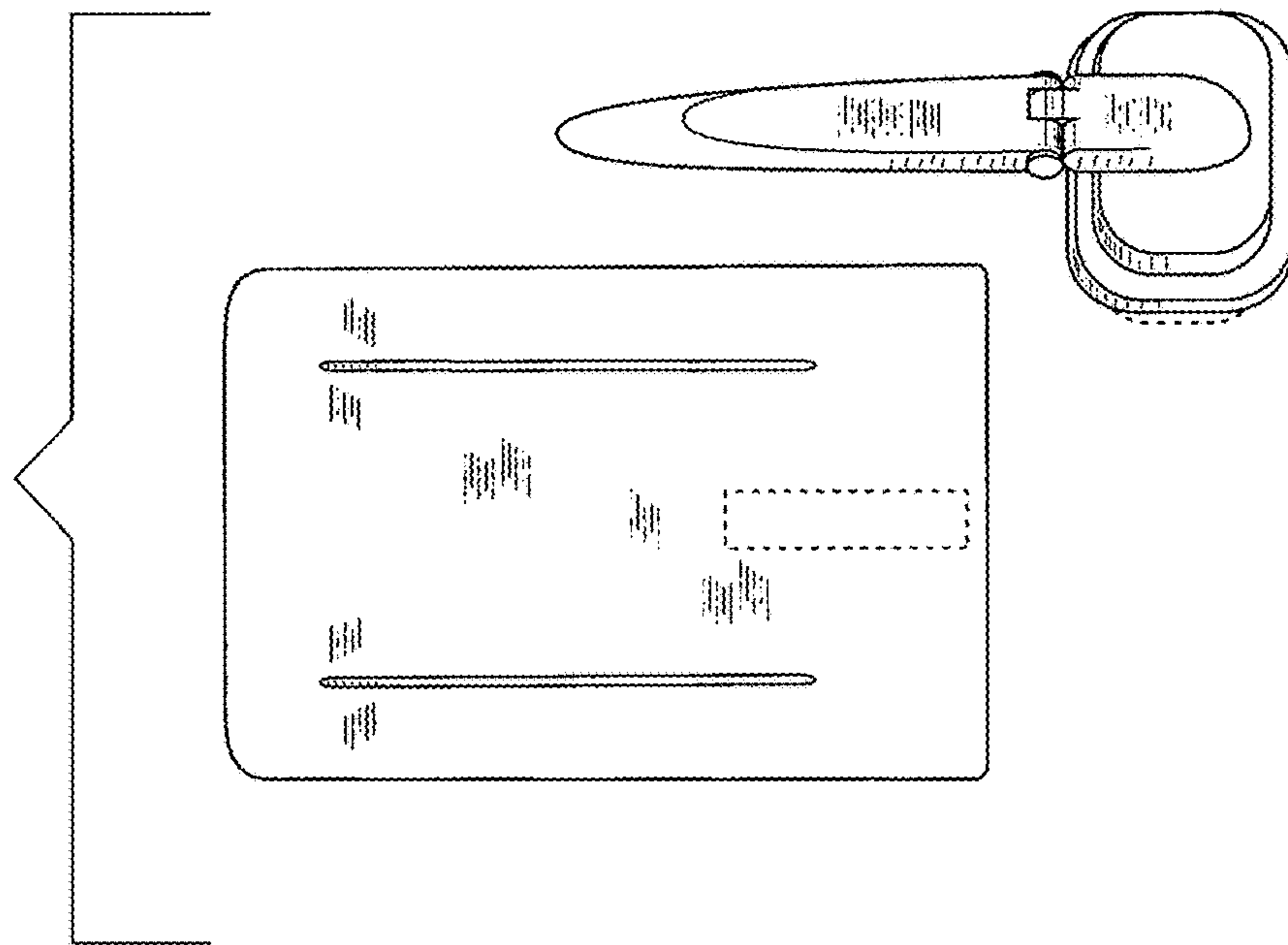


Figure 5

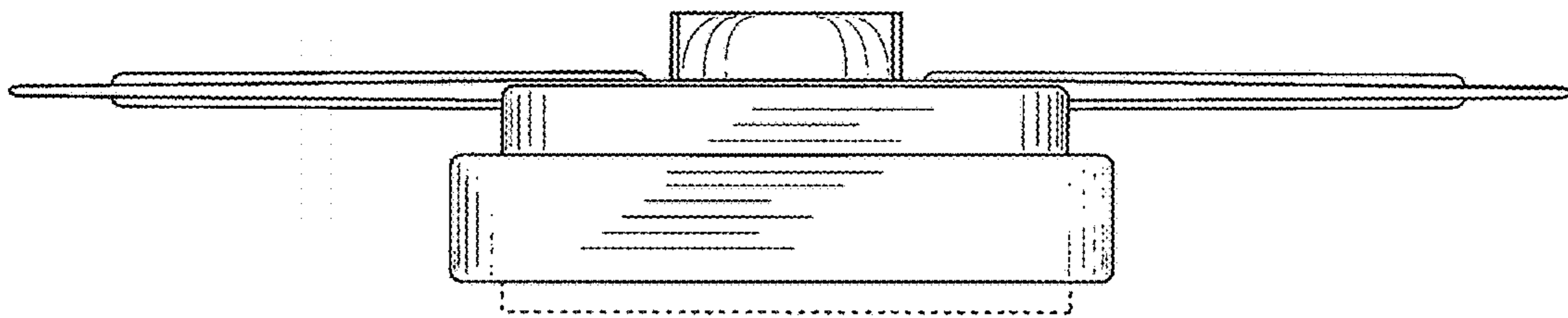


Figure 6

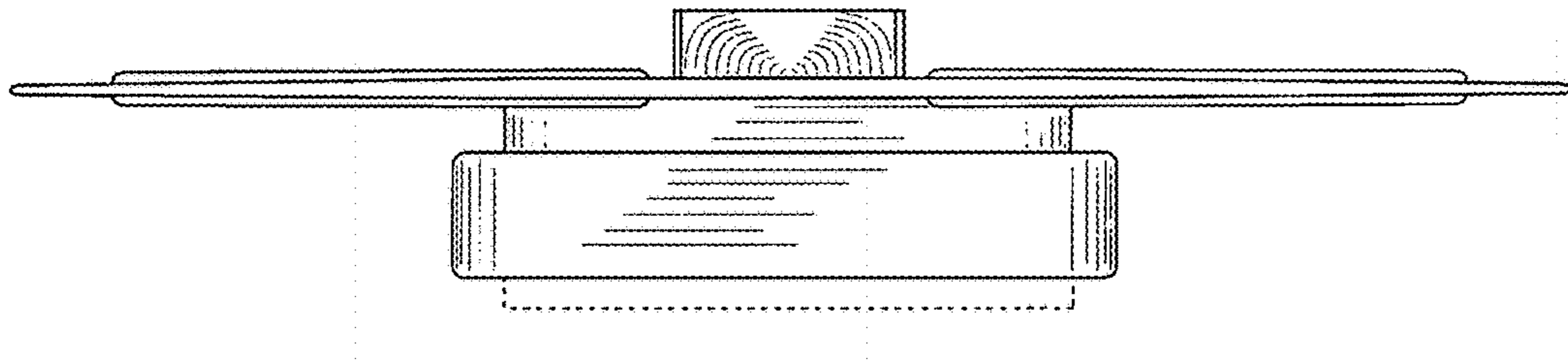


Figure 7



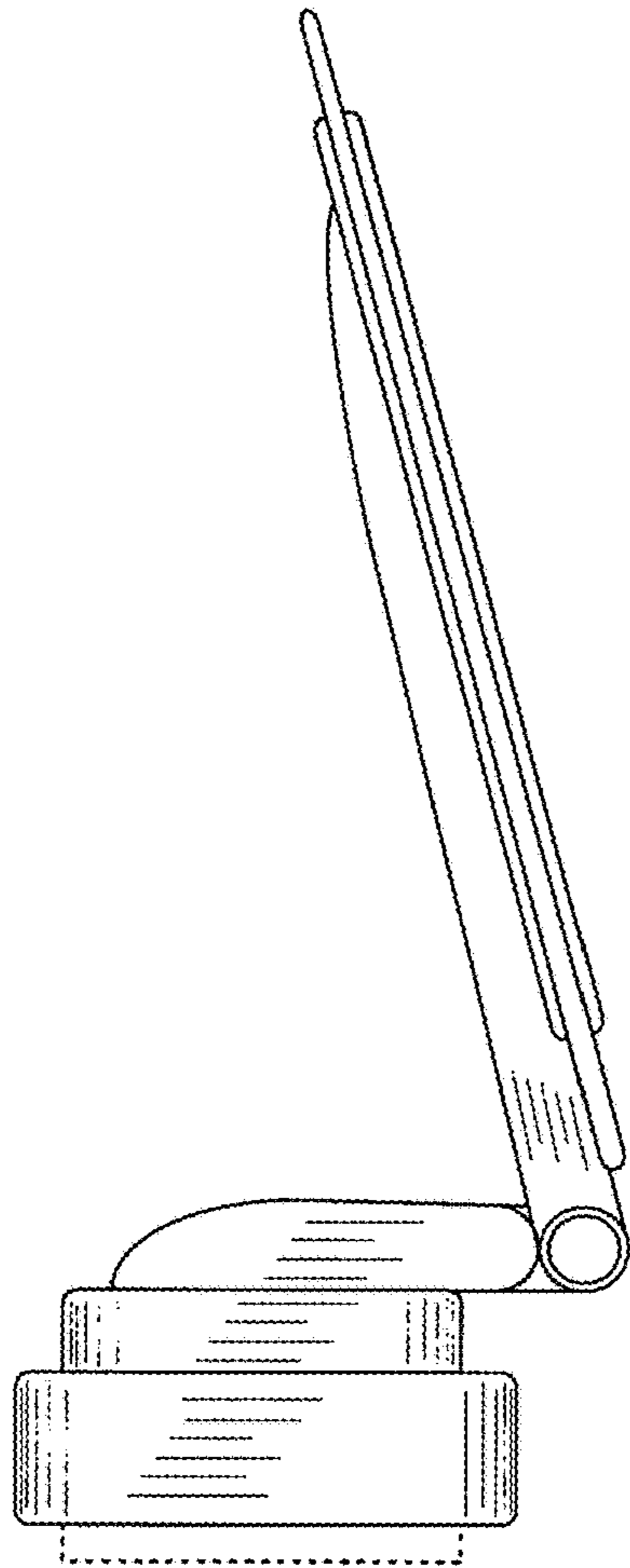


Figure 8

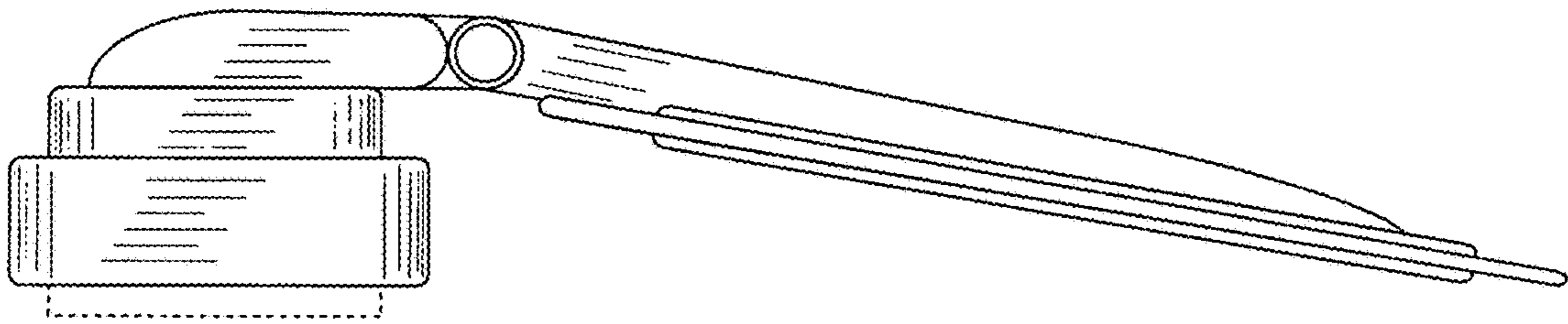


Figure 9