



US00D864585S

(12) **United States Design Patent** (10) **Patent No.:** **US D864,585 S**
Siragusa (45) **Date of Patent:** **** Oct. 29, 2019**

- (54) **SPRAY AWAY TOILET BRUSH**
- (71) Applicant: **Anthony Siragusa**, Boston, MA (US)
- (72) Inventor: **Anthony Siragusa**, Boston, MA (US)
- (**) Term: **15 Years**
- (21) Appl. No.: **29/641,109**
- (22) Filed: **Mar. 20, 2018**
- (51) **LOC (12) Cl.** **04-02**
- (52) **U.S. Cl.**
USPC **D4/128**
- (58) **Field of Classification Search**
USPC D4/128, 129, 131, 136, 138, 108, 109,
D4/119; D32/35, 51; 15/104.5, 104.16,
15/104.2, 104.31, 104.32, 164, 165, 206;
D28/65; D7/682; 452/298, 458
CPC A46B 7/026; A46B 5/005; A46B 17/04;
A46B 2200/1046
See application file for complete search history.

(56) **References Cited**

U.S. PATENT DOCUMENTS

1,711,352	A	1/1928	Jeffreys	
1,660,318	A *	2/1928	Anderson	A47K 11/10 15/164
4,397,056	A	8/1983	Miller	
5,984,555	A	11/1999	Samad	
D468,539	S *	1/2003	Petner	D4/119
7,476,049	B2	1/2009	Jensen	
7,740,479	B2	6/2010	Allred et al.	
D647,703	S *	11/2011	Li	D4/128
8,549,675	B2	10/2013	Abbondanzio et al.	
D693,128	S *	11/2013	Williams	D4/128
9,113,758	B1 *	8/2015	O'Brien	A47K 11/10
9,179,765	B2	11/2015	Jimenez et al.	
9,743,751	B1 *	8/2017	Luis	A46B 15/0069
D801,700	S *	11/2017	Kauss	D4/128
D821,756	S *	7/2018	Adams	D4/128

D821,757	S *	7/2018	Adams	D4/128
D833,155	S *	11/2018	Lien	D4/128
D837,530	S *	1/2019	Renner	D4/128
2004/0141794	A1 *	7/2004	Slaboden	A46B 11/0041 401/88
2004/0255410	A1	12/2004	Schonewille et al.	
2006/0105292	A1	5/2006	Dorsey et al.	
2006/0215484	A1	9/2006	Sokoloff	
2007/0119011	A1 *	5/2007	Ho	A46B 5/0062 15/172

(Continued)

FOREIGN PATENT DOCUMENTS

CN	201691311	1/2011
DE	42 42 446	6/1994
DE	100 29 495	11/2001

(Continued)

Primary Examiner — Austin Murphy

(74) *Attorney, Agent, or Firm* — Lambert Shortell & Connaughton; Gary E. Lambert; David J. Connaughton, Jr.

(57) **CLAIM**

The ornamental design for a spray away toilet brush, as shown and described.

DESCRIPTION

FIG. 1 is an isometric view of the spray away toilet brush, showing my new design;
 FIG. 2 is an isometric view of the spray away toilet brush;
 FIG. 3 is a side view of the spray away toilet brush;
 FIG. 4 is a side view of the spray away toilet brush;
 FIG. 5 is a side view of the spray away toilet brush;
 FIG. 6 is a side view of the spray away toilet brush;
 FIG. 7 is a top plan view of the spray away toilet brush;
 FIG. 8 is a bottom plan view of the spray away toilet brush;
 and,
 FIG. 9 is an isometric view of the spray away toilet brush.

1 Claim, 6 Drawing Sheets



(56)

References Cited

U.S. PATENT DOCUMENTS

2015/0034114 A1 2/2015 Miles
2015/0093480 A1 4/2015 Biever

FOREIGN PATENT DOCUMENTS

DE 202 15 480 6/2003
EP 1 442 692 8/2004
WO 03059118 7/2003

* cited by examiner

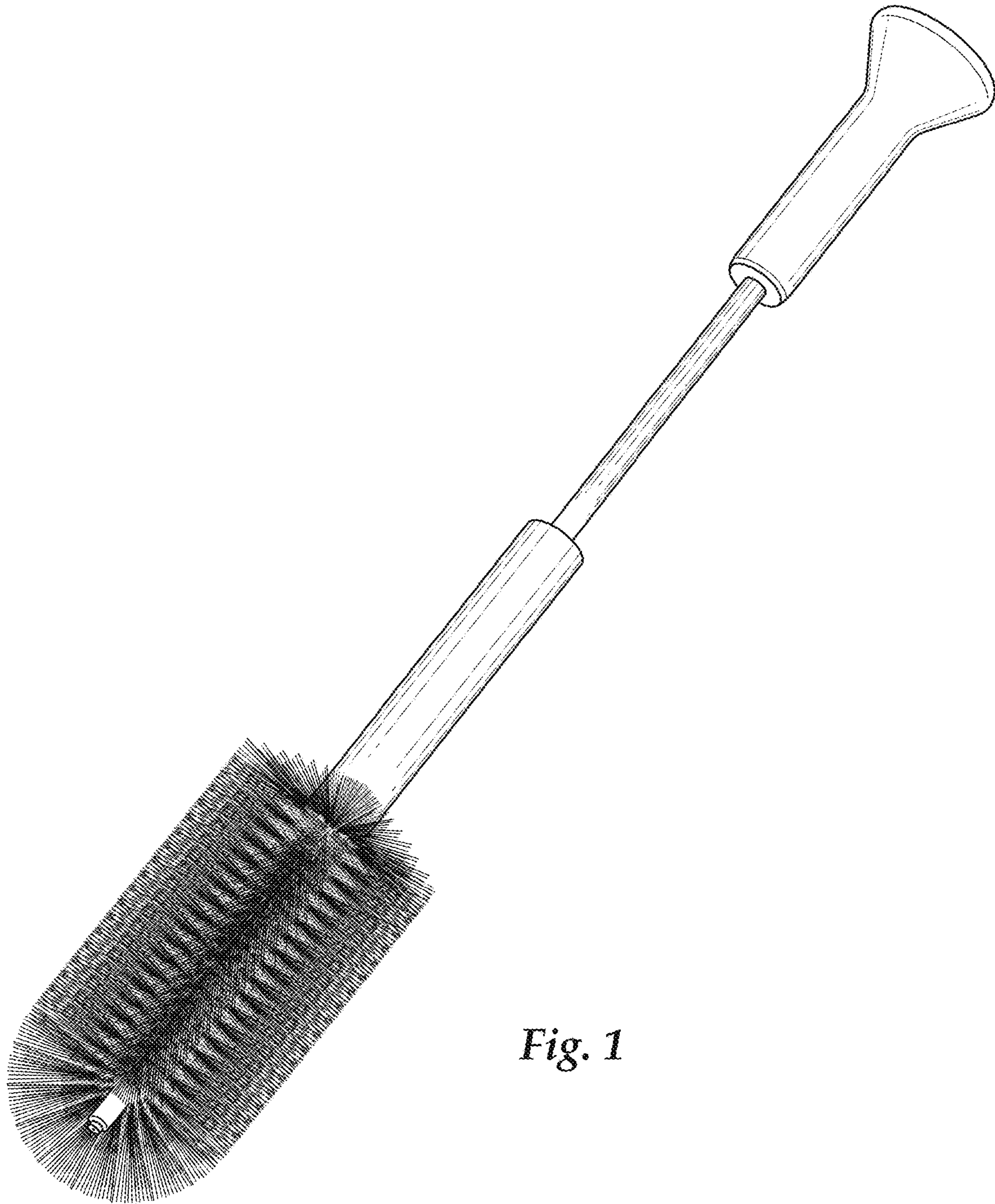


Fig. 1



Fig. 2

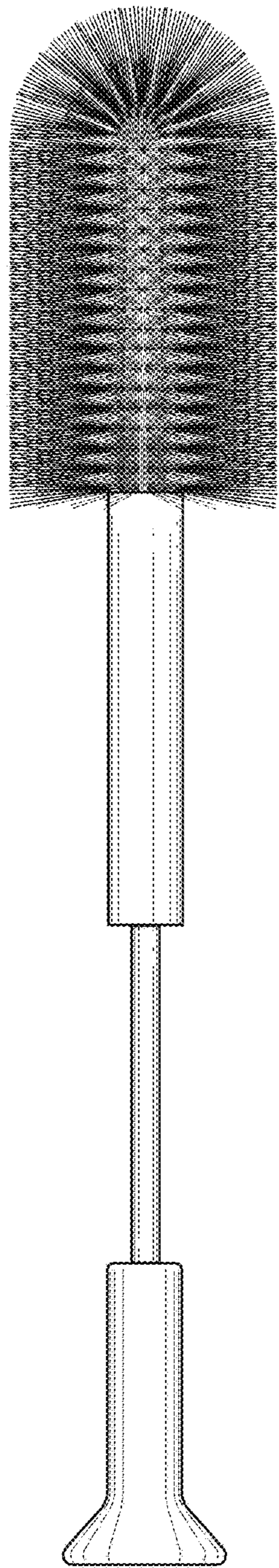


Fig. 3

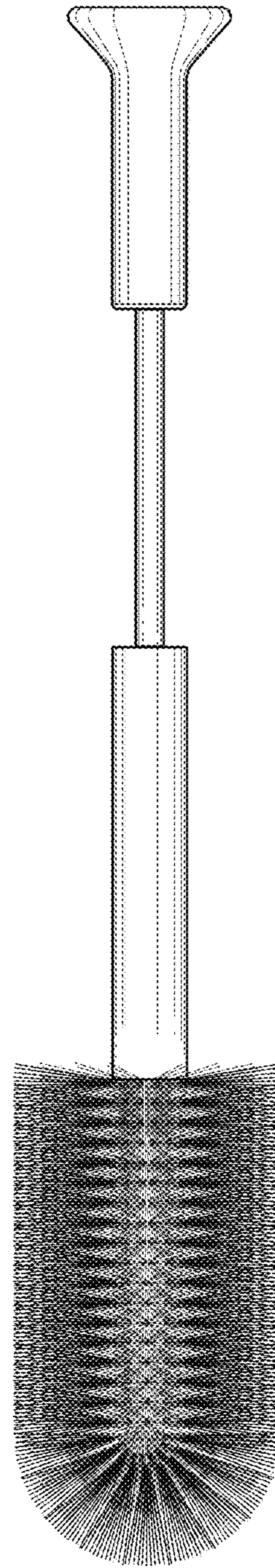


Fig. 4

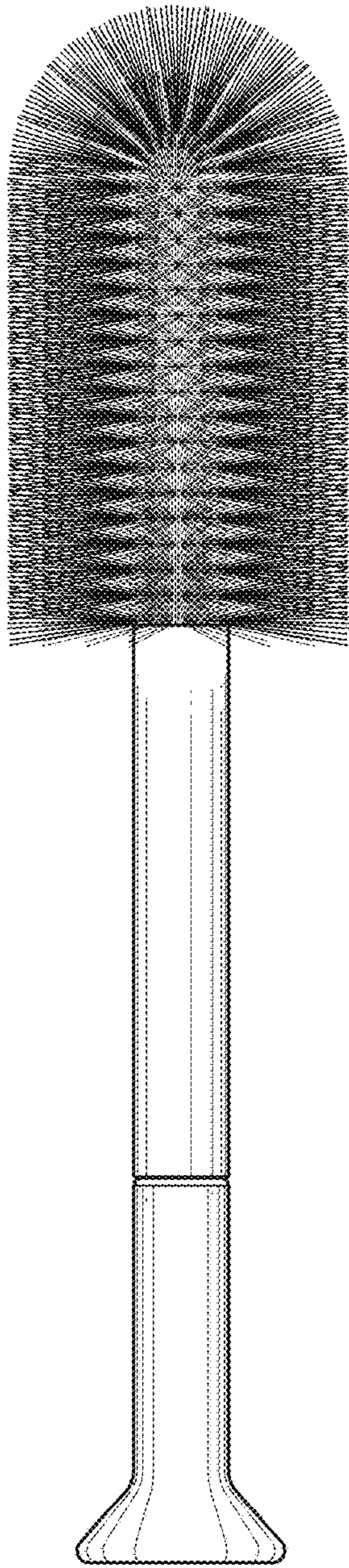


Fig. 5

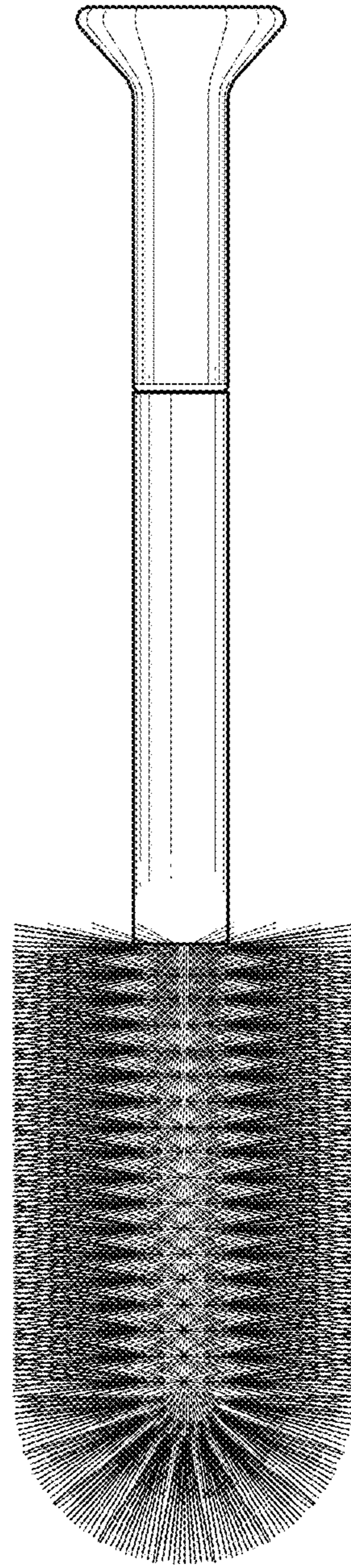


Fig. 6

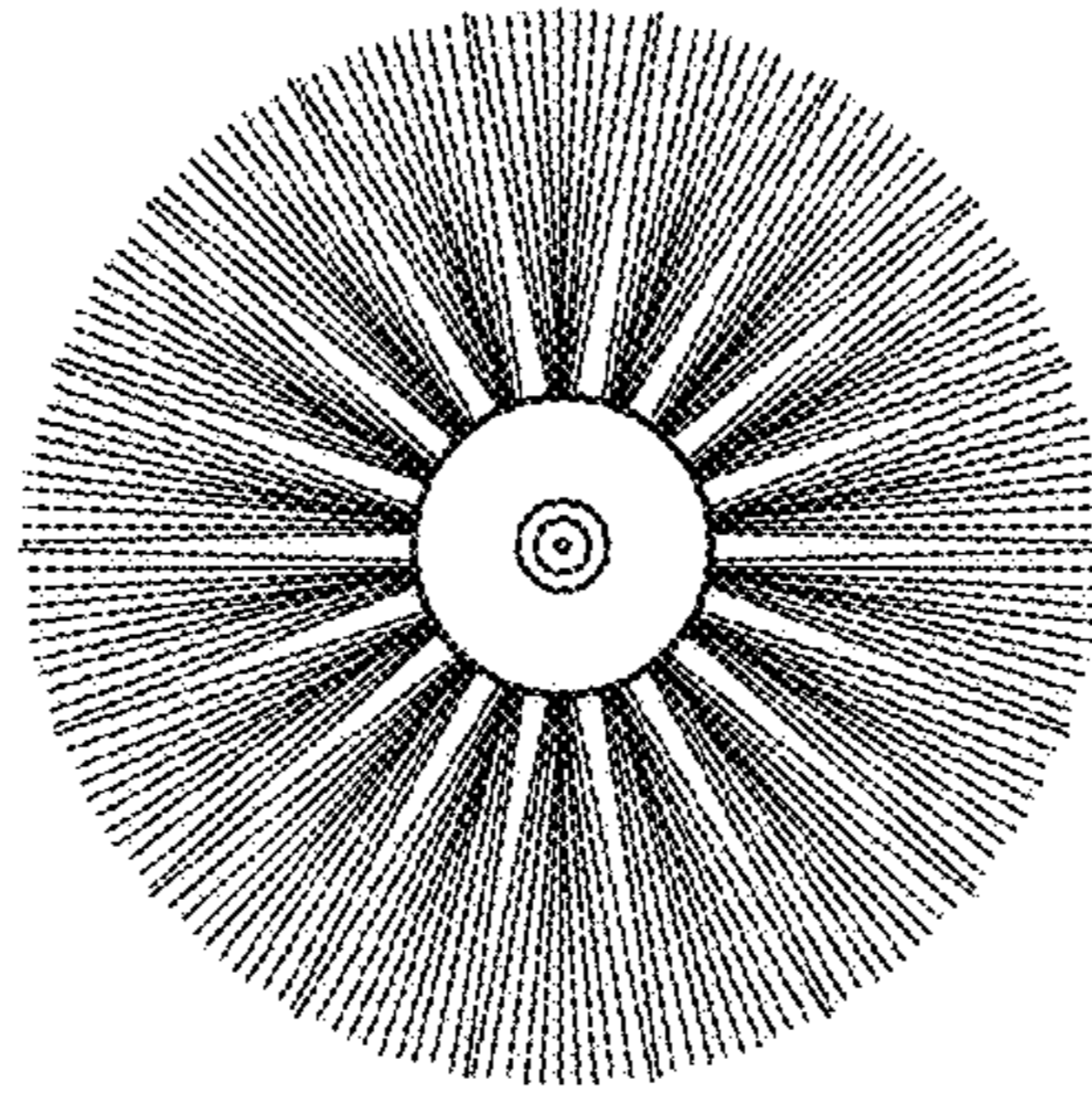


Fig. 7

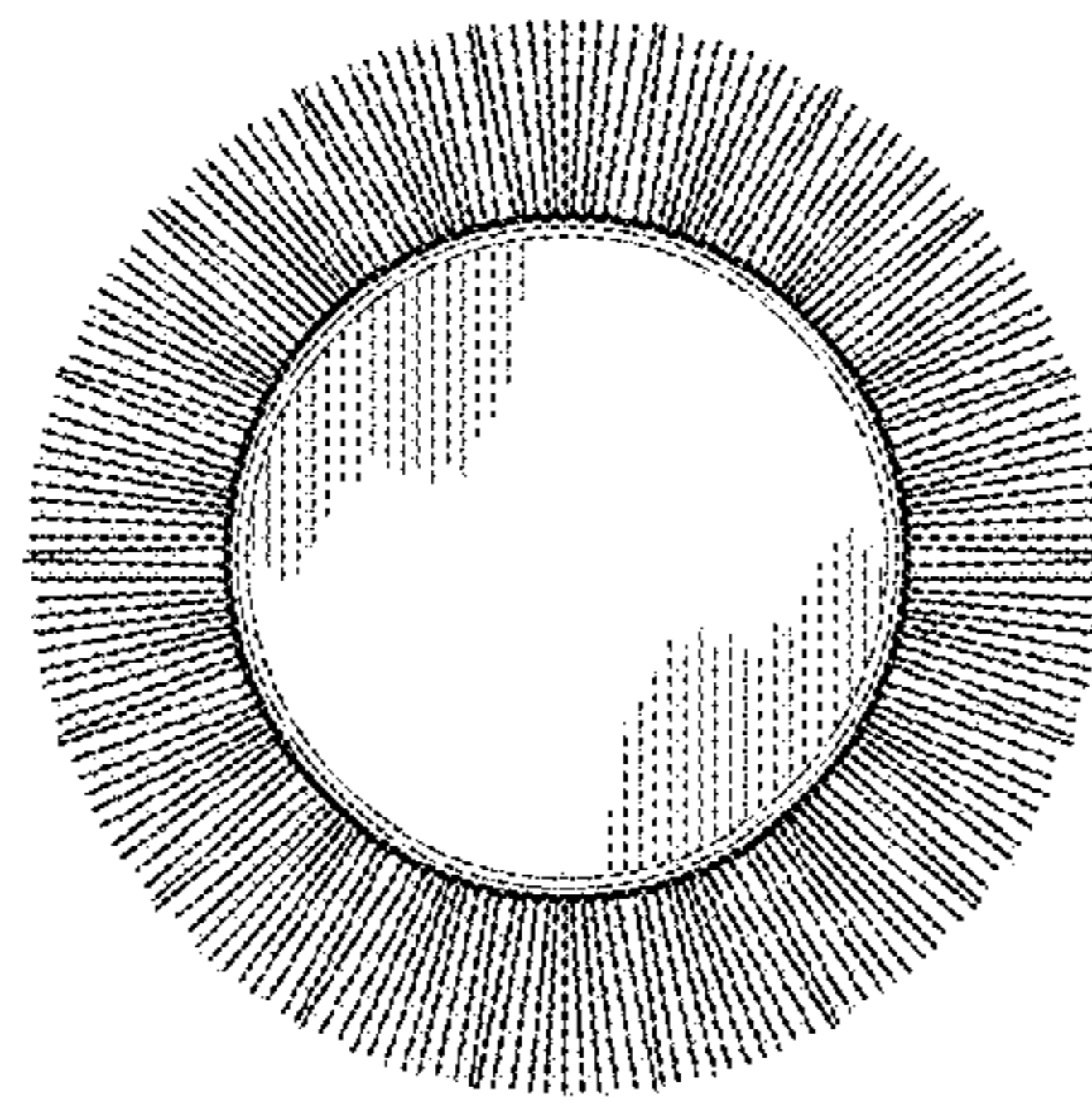


Fig. 8

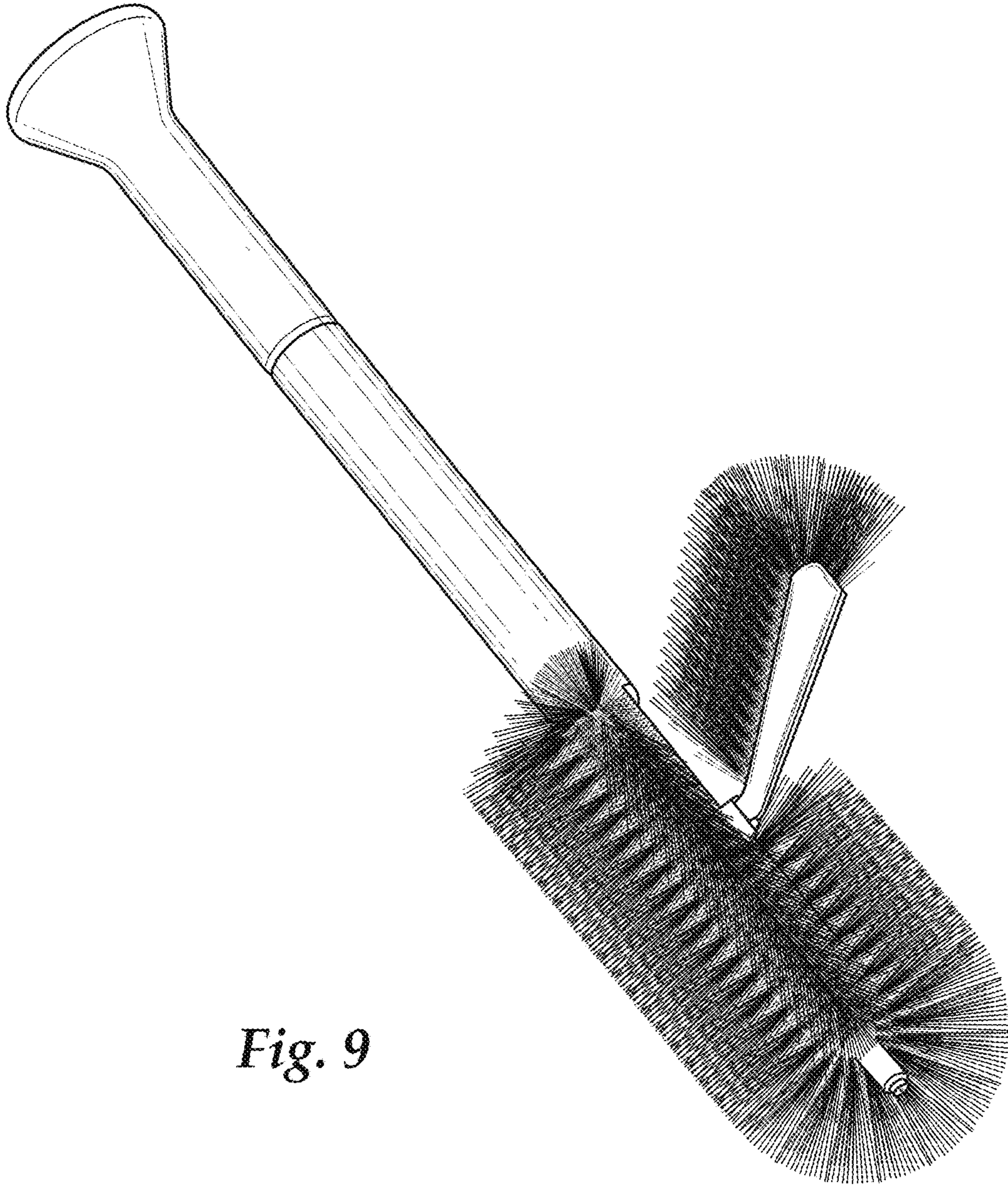


Fig. 9