



US00D864581S

(12) **United States Design Patent** (10) **Patent No.:** **US D864,581 S**
Bersh (45) **Date of Patent:** **** Oct. 29, 2019**

(54) **HAIRBRUSH**
(71) Applicant: **Ava Abigail Bersh**, Livingston, NJ (US)
(72) Inventor: **Ava Abigail Bersh**, Livingston, NJ (US)
(**) Term: **15 Years**
(21) Appl. No.: **29/650,572**
(22) Filed: **Jun. 7, 2018**
(51) **LOC (12) Cl.** **04-02**
(52) **U.S. Cl.**
USPC **D4/116**
(58) **Field of Classification Search**
USPC D4/128, 129, 130, 134, 136, 137, 138, D4/199; D24/211; D30/158; D8/83, D8/DIG. 7, DIG. 8
CPC A46B 5/02; A46B 9/023; A46B 9/028; A46B 9/06; A46B 2200/104; A46B 5/0025
See application file for complete search history.

(56) **References Cited**
U.S. PATENT DOCUMENTS
D138,896 S * 9/1944 Edmonds 15/143.1
2,876,979 A 3/1959 Barbera
D200,761 S * 4/1965 Hamm D4/114
3,368,554 A * 2/1968 Chou A45D 24/42
132/119
3,886,619 A * 6/1975 Natman A46B 3/00
15/187
D249,893 S * 10/1978 Armbruster D24/211
D301,940 S * 7/1989 Fong D4/134
4,927,191 A 5/1990 Mikol
D497,722 S * 11/2004 Thompson D4/121
D547,553 S * 7/2007 Borovicka D4/129
D567,511 S * 4/2008 Borovicka D4/118
D577,495 S * 9/2008 Borovicka D4/138

D690,116 S * 9/2013 Zemel D4/118
8,560,031 B2 10/2013 Barnett
D695,019 S * 12/2013 Zemel D4/138
8,595,885 B1 * 12/2013 Weinstein A46B 9/023
119/612

(Continued)

FOREIGN PATENT DOCUMENTS

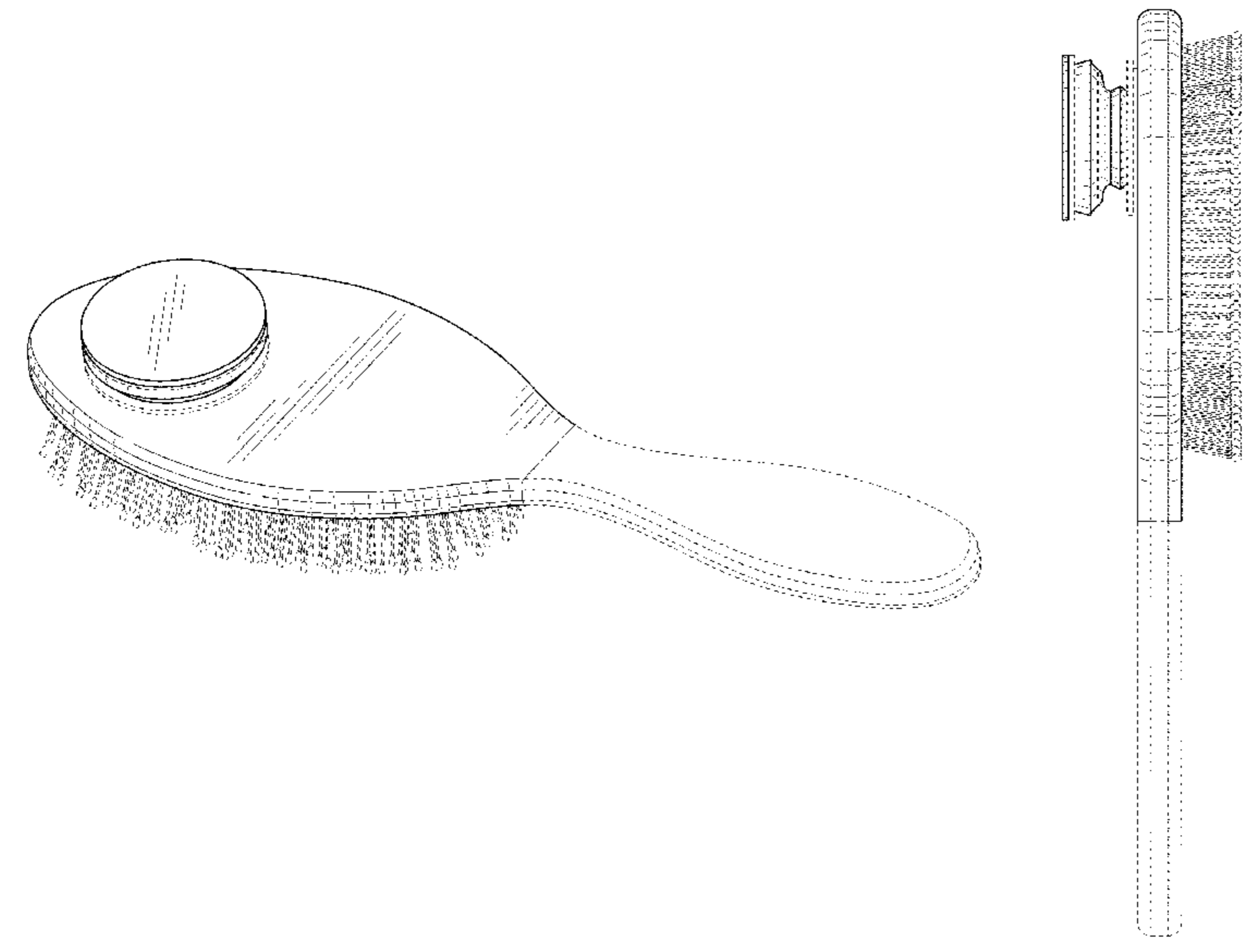
GB 23165263 B * 3/1997 H01Q 1/245
Primary Examiner — Karen E Eldridge Powers
(74) *Attorney, Agent, or Firm* — Lennie A. Bersh

(57) **CLAIM**
The ornamental design for a hairbrush, as shown and described.

DESCRIPTION

FIG. 1 is a front right perspective view of a hairbrush showing my new design;
FIG. 2 is a rear perspective view of the hairbrush shown in FIG. 1 with a pop socket in a closed position;
FIG. 3 is a rear perspective view of the hairbrush shown in FIG. 1 with a pop socket in an open position;
FIG. 4 is a front elevation view of the hairbrush shown in FIG. 1;
FIG. 5 is a rear elevation view of the hairbrush shown in FIG. 1;
FIG. 6 is a left side elevation view of the hairbrush shown in FIG. 1;
FIG. 7 is a right side elevation view of the hairbrush shown in FIG. 1;
FIG. 8 is a top plan view of the hairbrush shown in FIG. 1; and,
FIG. 9 is a bottom plan view of the hairbrush shown in FIG. 1.
The broken lines in FIGS. 1-9 illustrate portions of the hairbrush that from no part of the claimed design. The dash-dot-dash broken lines in FIGS. 1-7 illustrate the boundary of the claimed design which forms no part thereof.

1 Claim, 6 Drawing Sheets



(56)

References Cited

U.S. PATENT DOCUMENTS

8,844,098	B2	9/2014	Karmatz	
D753,404	S *	4/2016	Zemel	D4/138
D764,808	S *	8/2016	Rosenzweig	D4/132
D765,990	S *	9/2016	Kim	D4/116
D784,026	S *	4/2017	Shen	D4/128
D785,950	S *	5/2017	Rosenzweig	D4/133
D817,006	S *	5/2018	Kinoshita	D4/134
D833,153	S *	11/2018	Zemel	D4/118

* cited by examiner

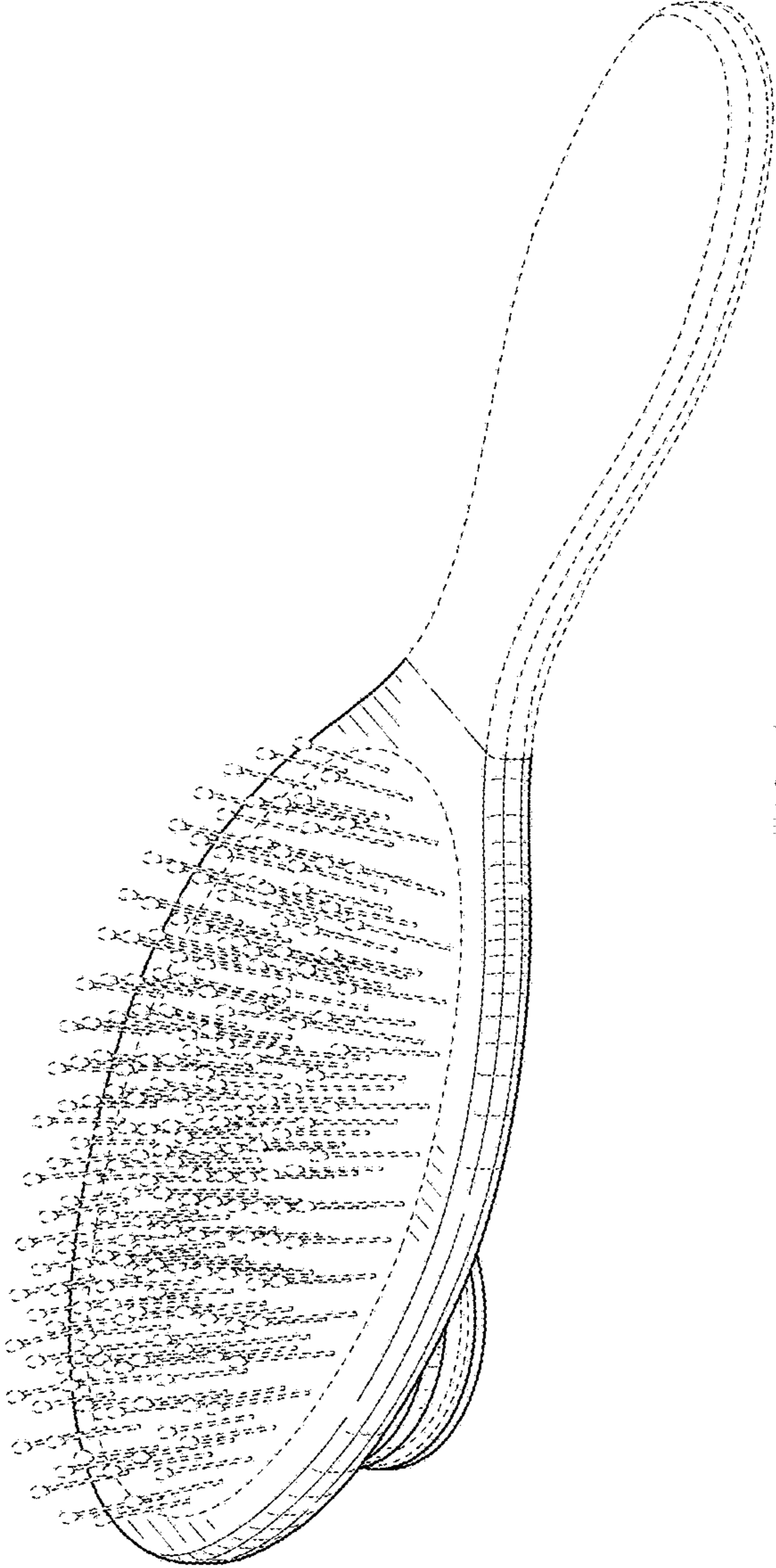


FIG. 1

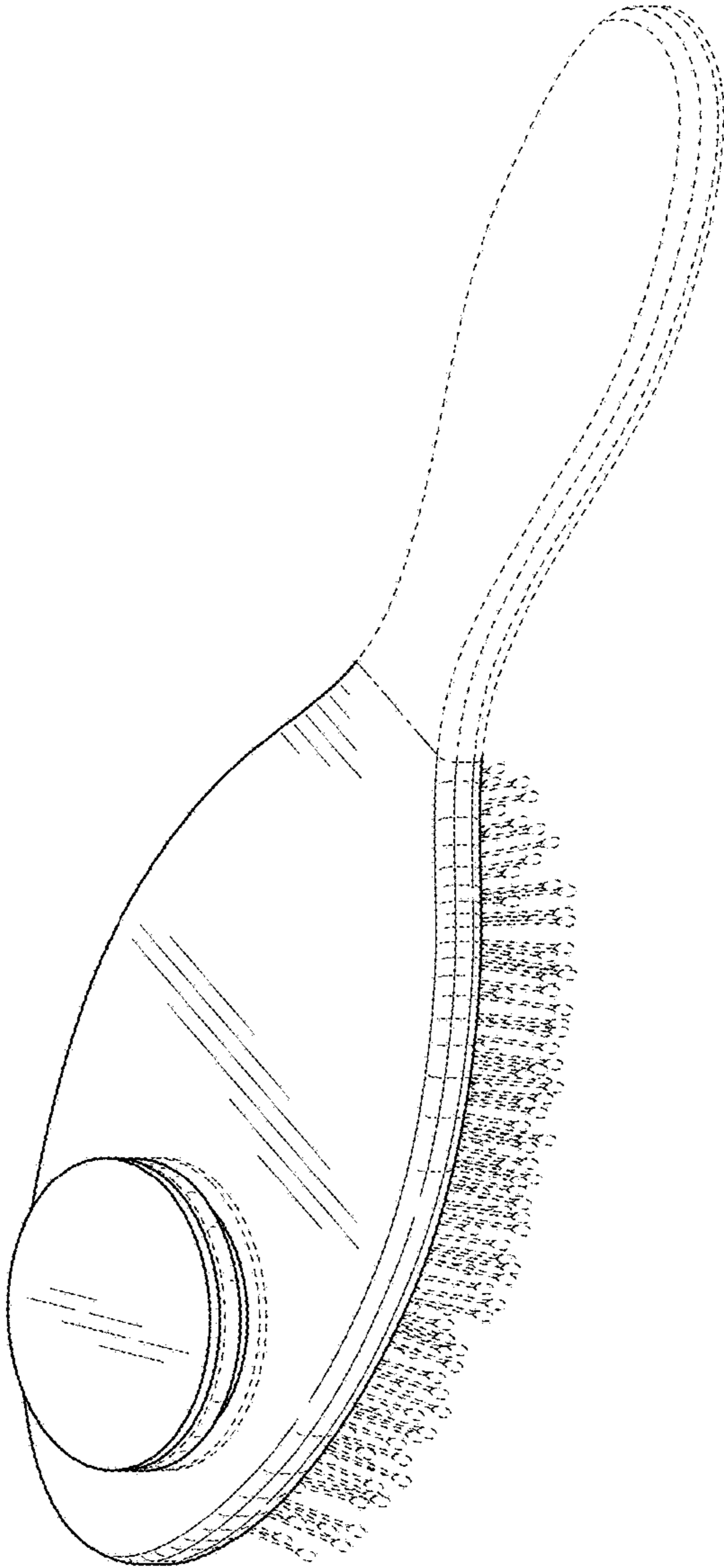


FIG. 2

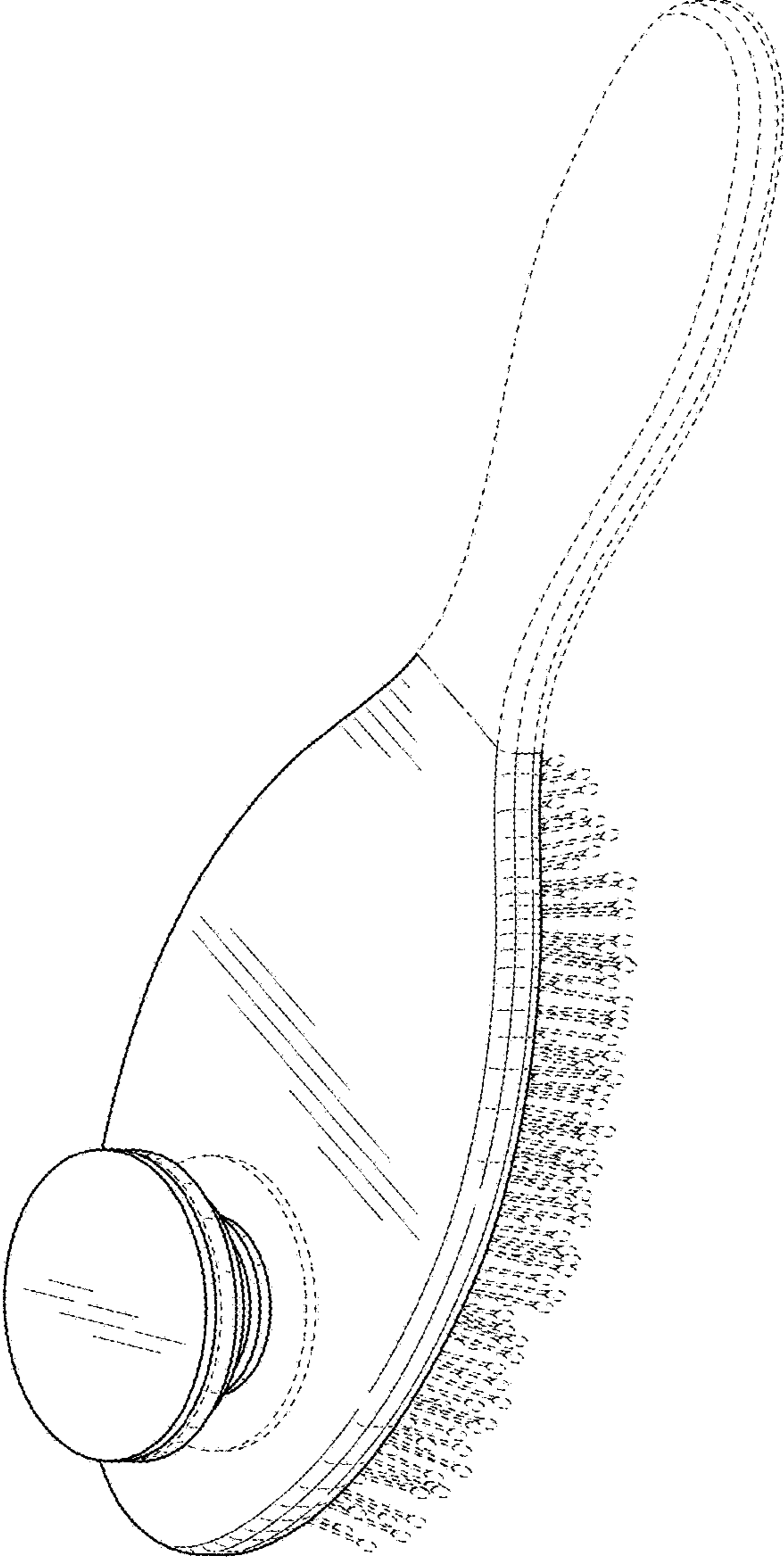


FIG. 3

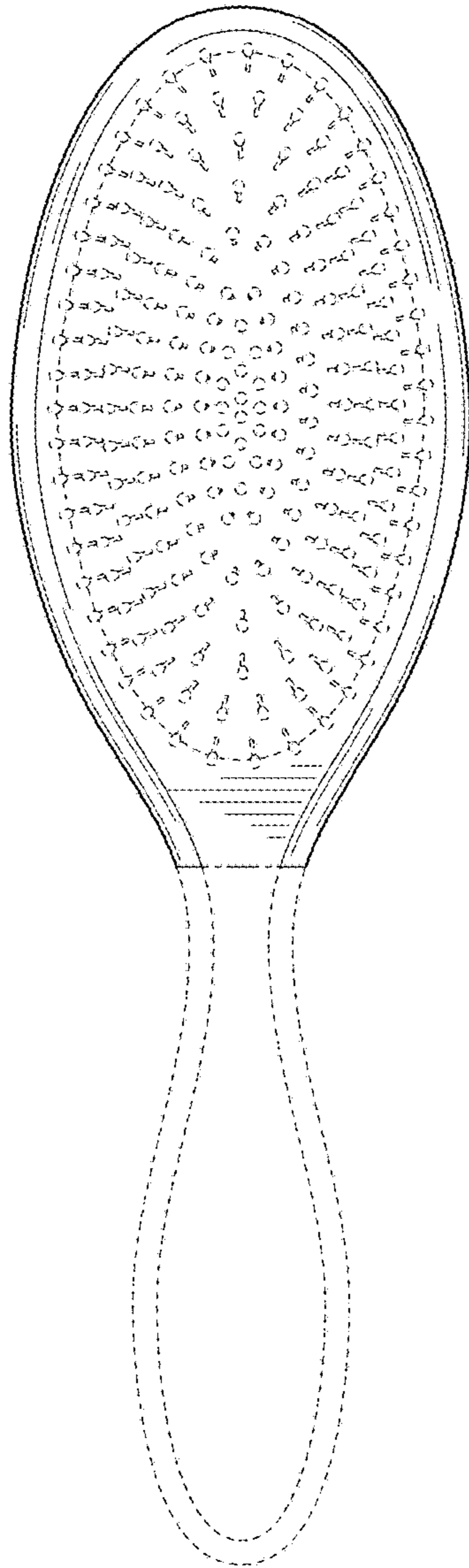


FIG. 4

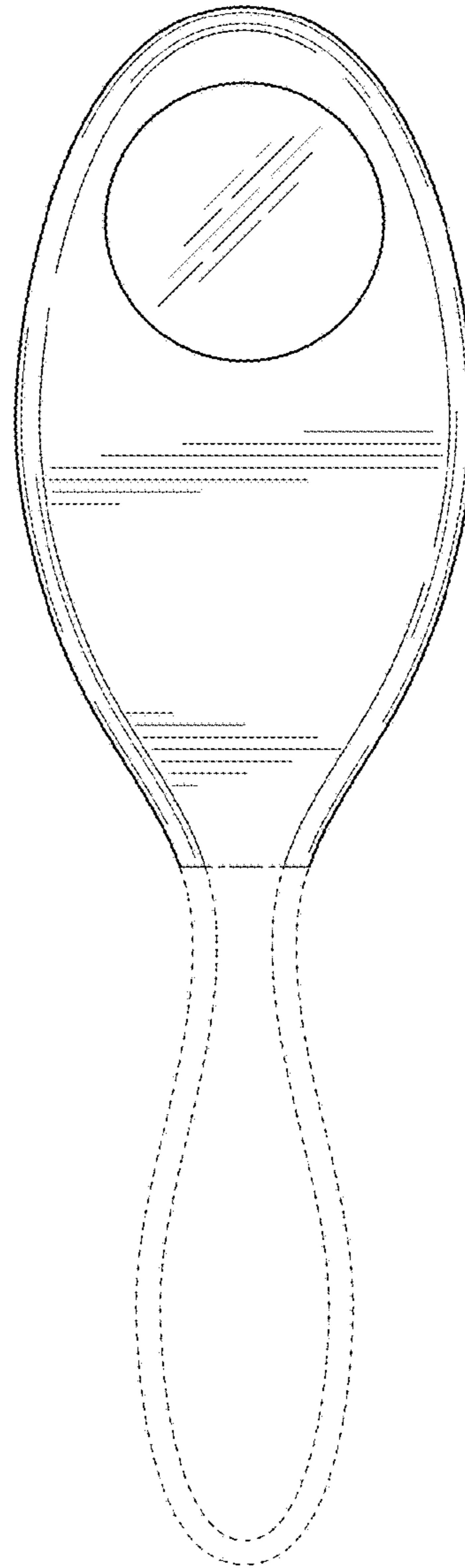


FIG. 5

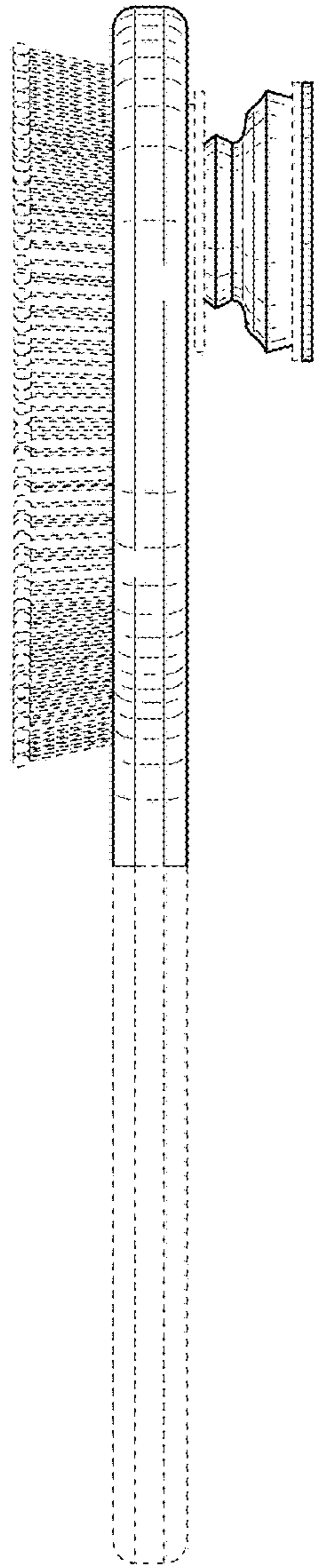


FIG. 6

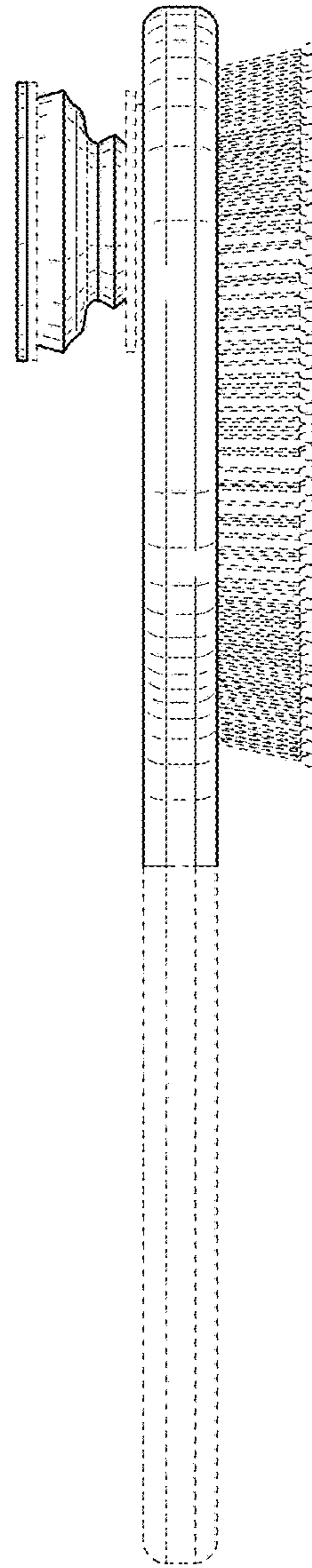


FIG. 7

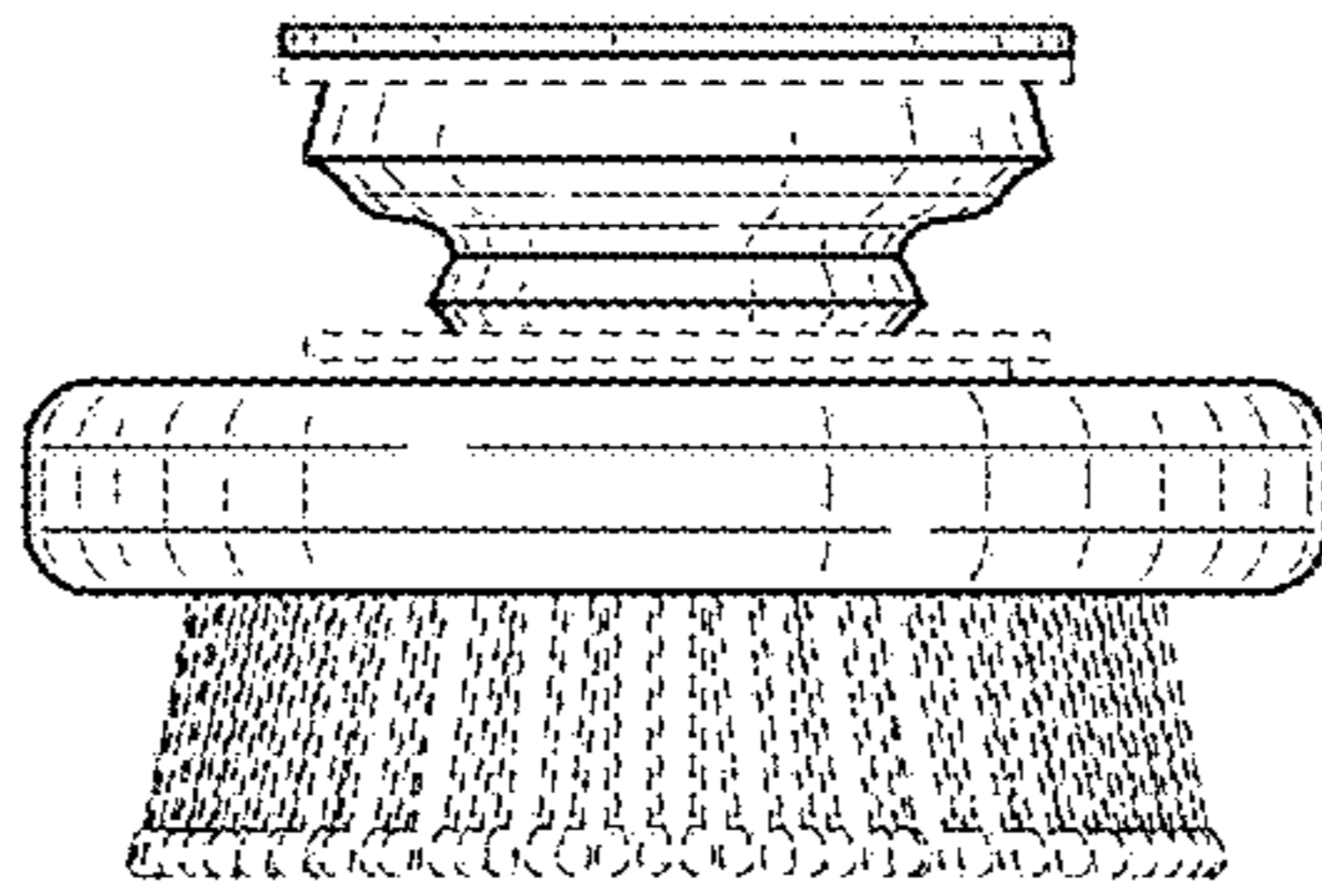


FIG. 8

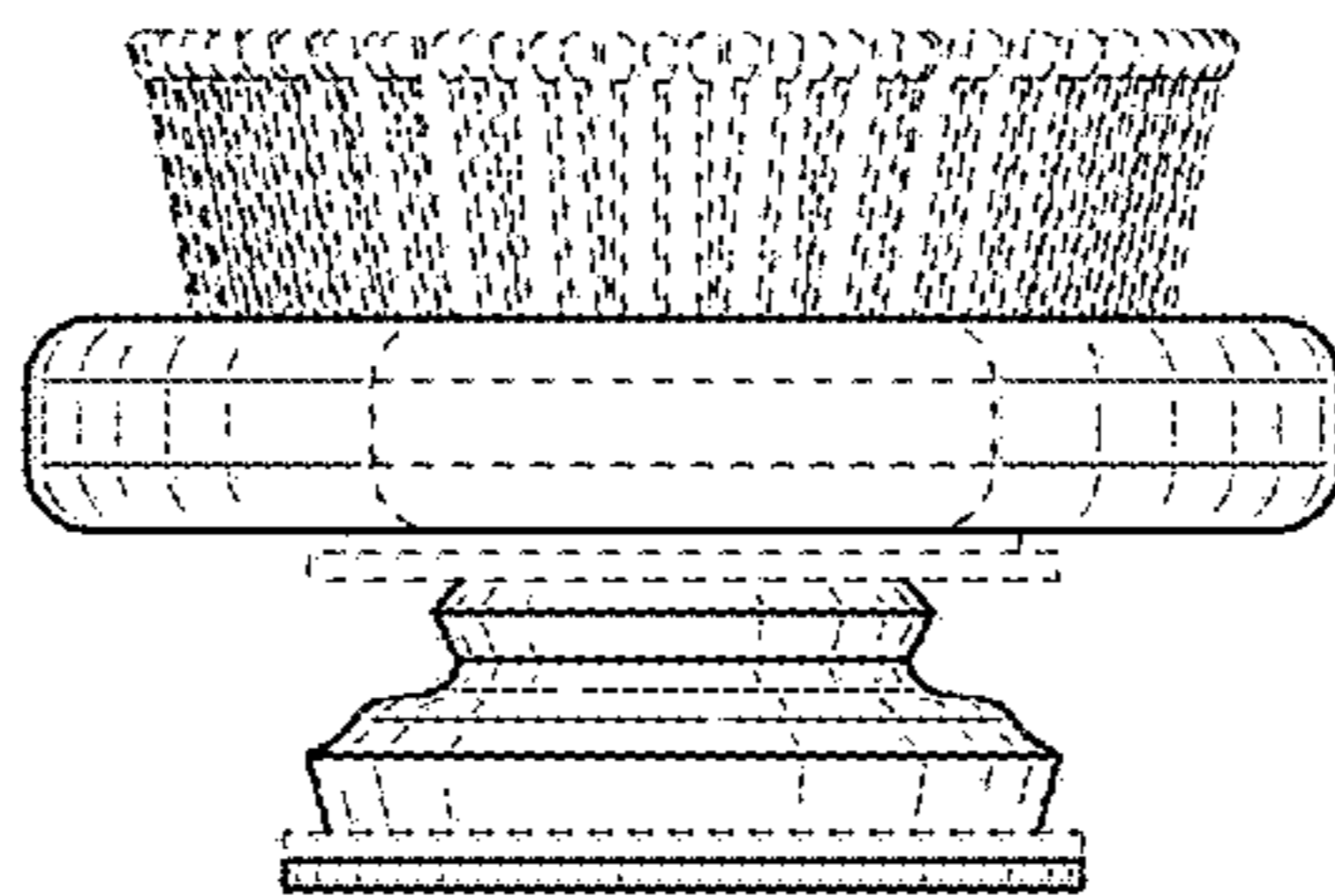


FIG. 9