

US00D864578S

(12) **United States Design Patent**
Liu

(10) **Patent No.:** **US D864,578 S**
(45) **Date of Patent:** **** Oct. 29, 2019**

- (54) **MOUTH-GUARD-STYLE TOOTHBRUSH**
- (71) Applicant: **Fuzhou Miliqi Health Technology Co., Ltd., Fuzhou (CN)**
- (72) Inventor: **Jinfeng Liu, Fuzhou (CN)**
- (**) Term: **15 Years**
- (21) Appl. No.: **29/638,142**
- (22) Filed: **Feb. 24, 2018**
- (30) **Foreign Application Priority Data**
 - Sep. 7, 2017 (CN) 2017 3 0422535
- (51) **LOC (12) Cl.** **04-02**
- (52) **U.S. Cl.**
USPC **D4/107**
- (58) **Field of Classification Search**
 - USPC D4/100, 101, 102, 104, 105, 106, 107, D4/108, 109, 110, 111, 112, 113, 114, D4/115, 116, 119, 120, 121, 124, 125, D4/130, 132, 134, 138, 199; D24/111, D24/152, 176
 - CPC A46B 2200/1066; A46B 2200/1073; A46B 2200/1086; A46B 5/02; A61C 17/228

See application file for complete search history.

- (56) **References Cited**
 - U.S. PATENT DOCUMENTS**
 - 1,818,146 A * 8/1931 Maker A61H 13/00 128/861
 - 3,163,874 A * 1/1965 Bauer A46B 9/045 15/160
 - 3,247,844 A * 4/1966 Berghash A63B 71/085 128/862

- 4,237,574 A * 12/1980 Kelly A46B 9/045 15/167.2
- 5,175,901 A * 1/1993 Rabinowitz A46B 9/045 15/167.1
- 6,223,376 B1 * 5/2001 Lee A46B 9/026 15/22.1
- 9,028,250 B2 * 5/2015 Spaulding A61C 7/00 433/18
- 9,277,980 B2 * 3/2016 Leveling A61C 17/228
- D764,061 S * 8/2016 Furdul-Carr D24/176
- D781,427 S * 3/2017 Blank D24/176
- D785,803 S * 5/2017 Penn D24/176
- D797,941 S * 9/2017 Way D24/176
- 9,848,959 B2 * 12/2017 Lowe A61C 17/005
- 9,907,633 B2 * 3/2018 Wolpo A61N 1/0428
- 2009/0229062 A1 * 9/2009 Filby A46B 9/045 15/22.1
- 2009/0276972 A1 * 11/2009 Dugan A46B 7/00 15/167.2
- 2017/0007383 A1 * 1/2017 Blank A61C 17/349

* cited by examiner

Primary Examiner — Karen E Eldridge Powers
(74) *Attorney, Agent, or Firm* — W&K IP

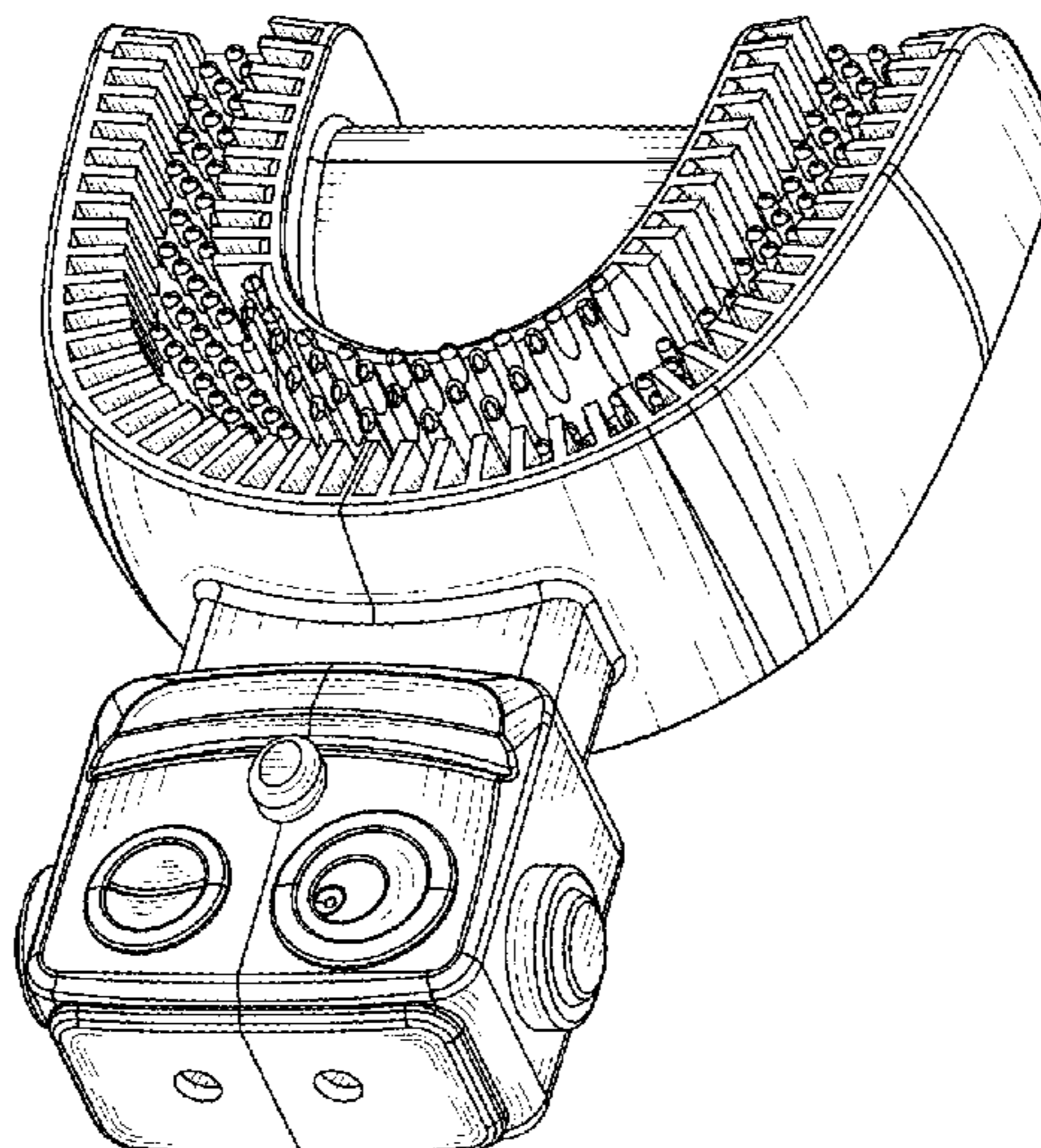
(57) **CLAIM**

The ornamental design for a mouth-guard-style toothbrush, as shown and described.

DESCRIPTION

FIG. 1 is a perspective view of a mouth-guard-style toothbrush;
FIG. 2 is a front view thereof;
FIG. 3 is a rear view thereof;
FIG. 4 is a left side view thereof;
FIG. 5 is a right side view thereof.
FIG. 6 is a top plan view thereof; and,
FIG. 7 is a bottom plan view thereof.

1 Claim, 7 Drawing Sheets



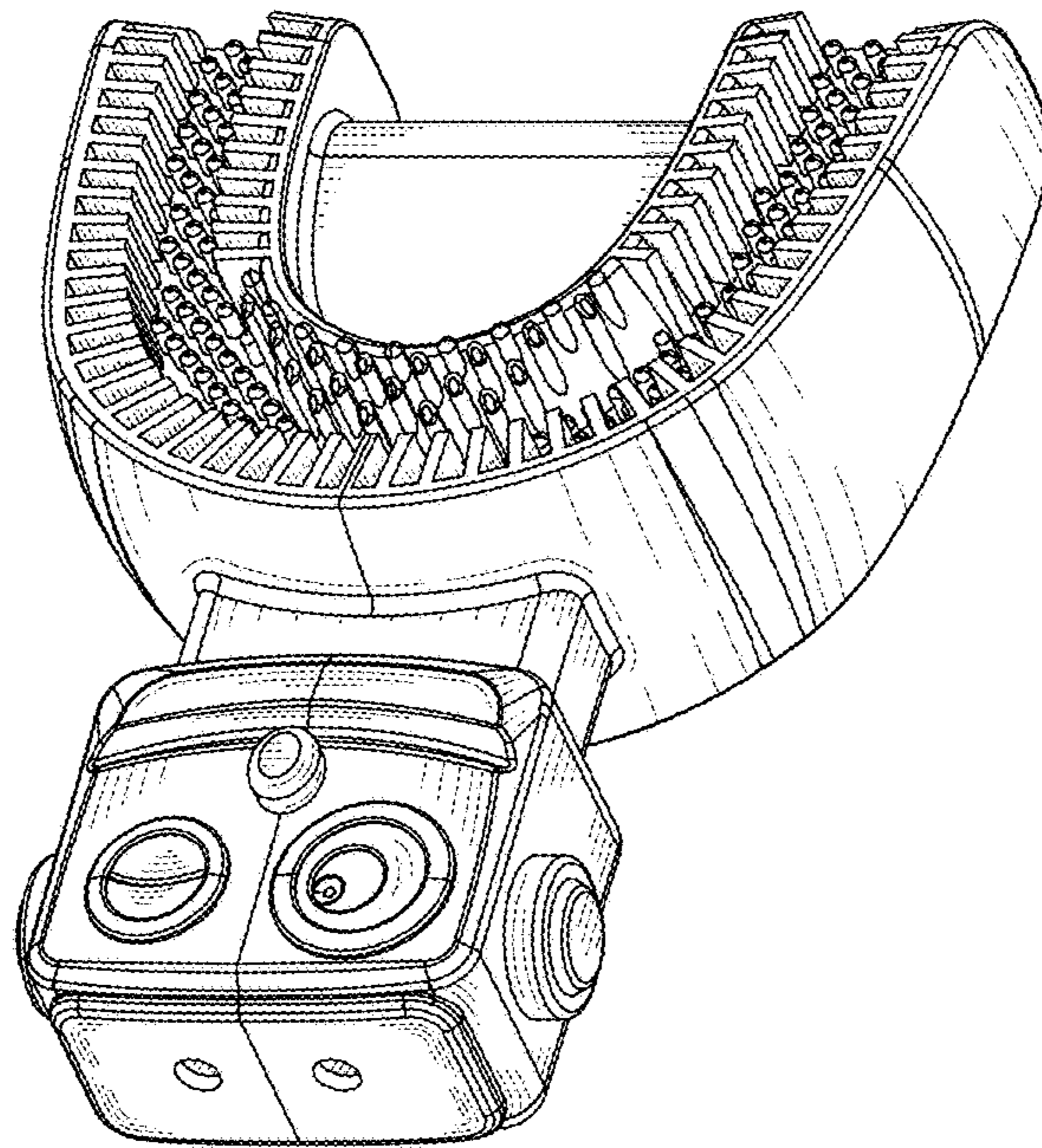


FIG.1

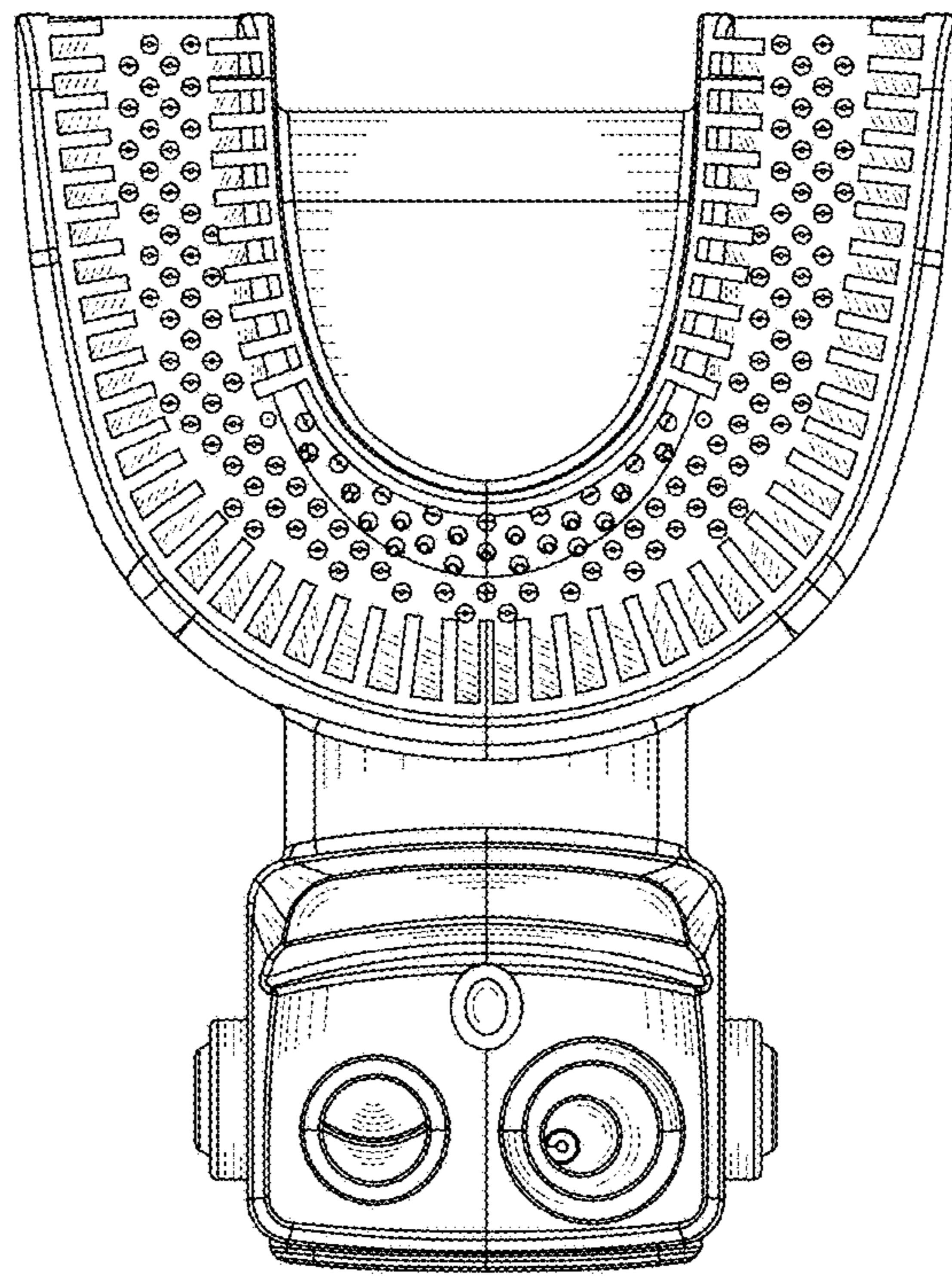


FIG.2

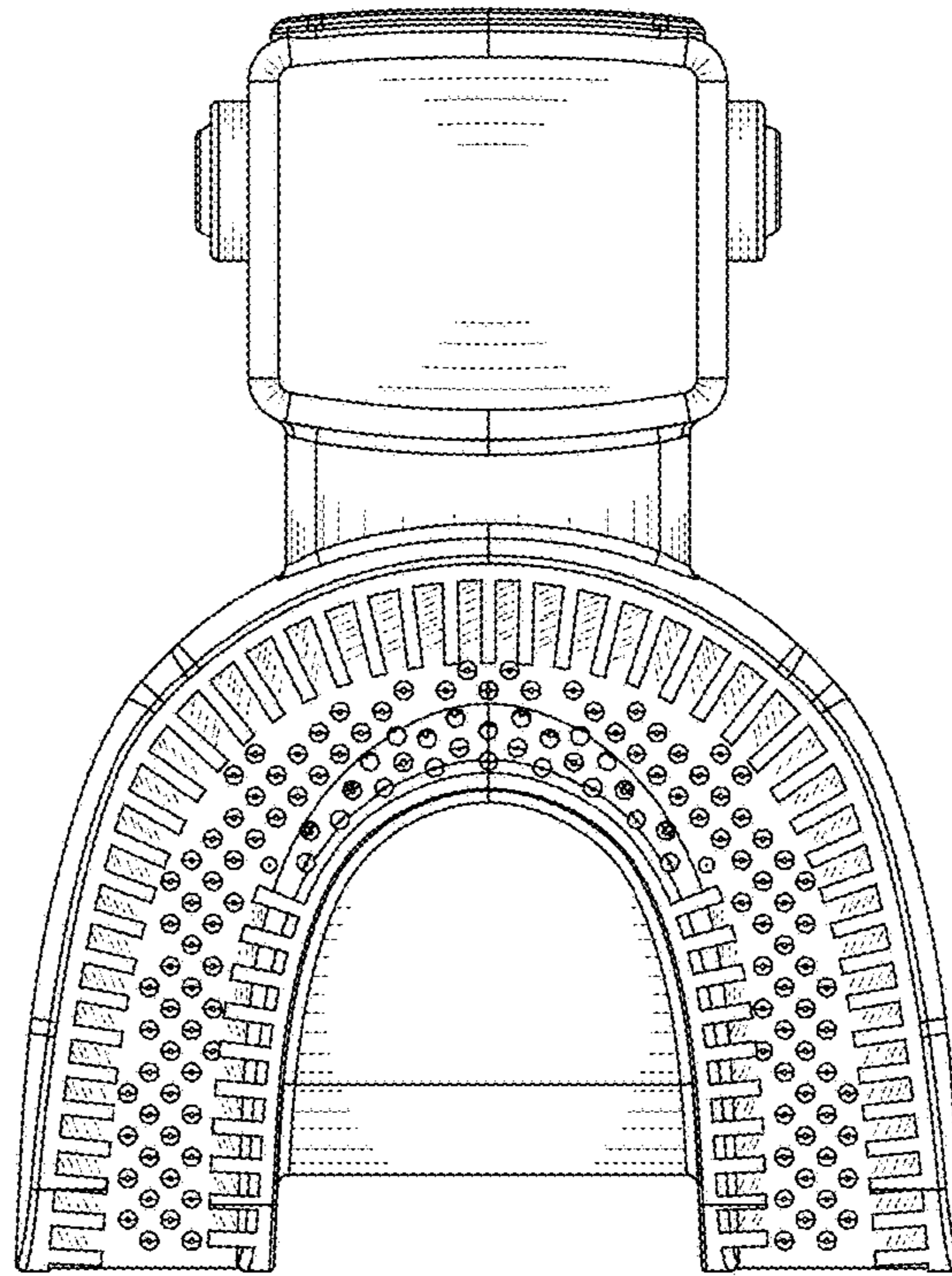


FIG. 3

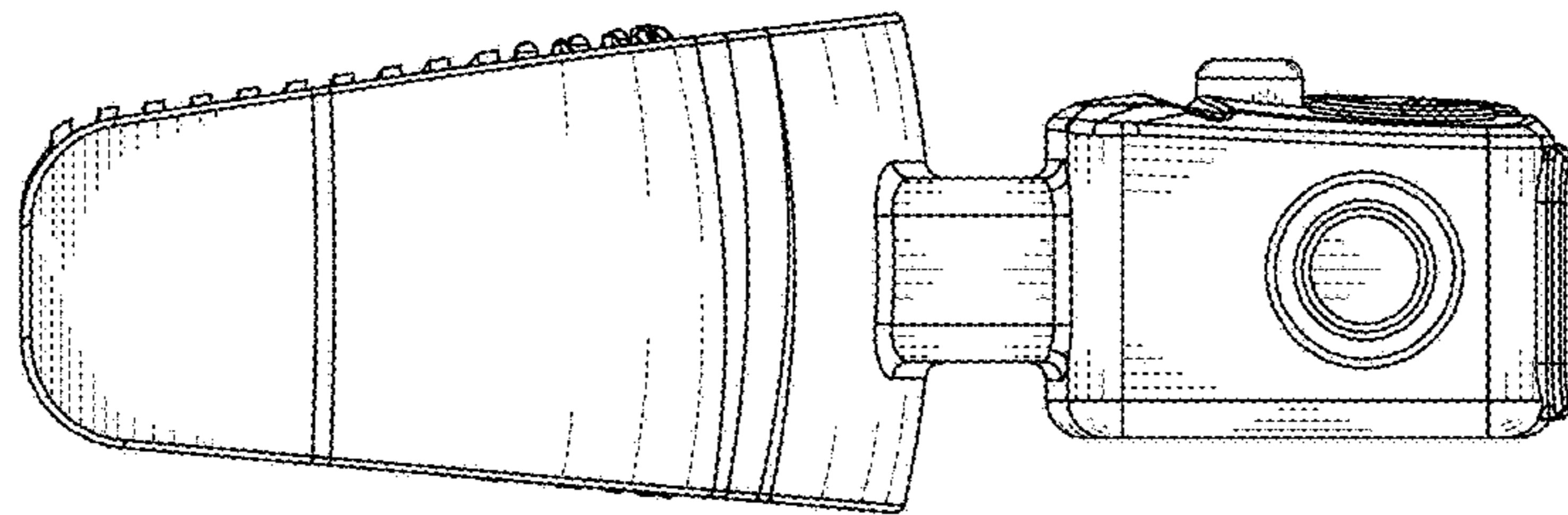


FIG.4

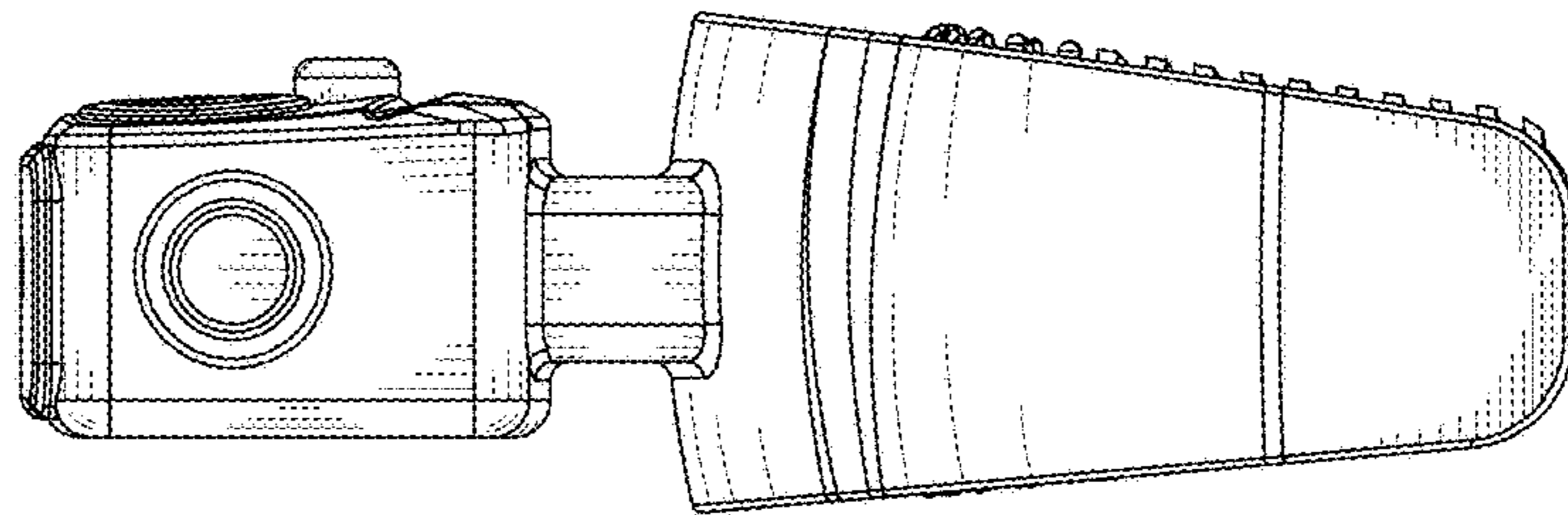


FIG.5

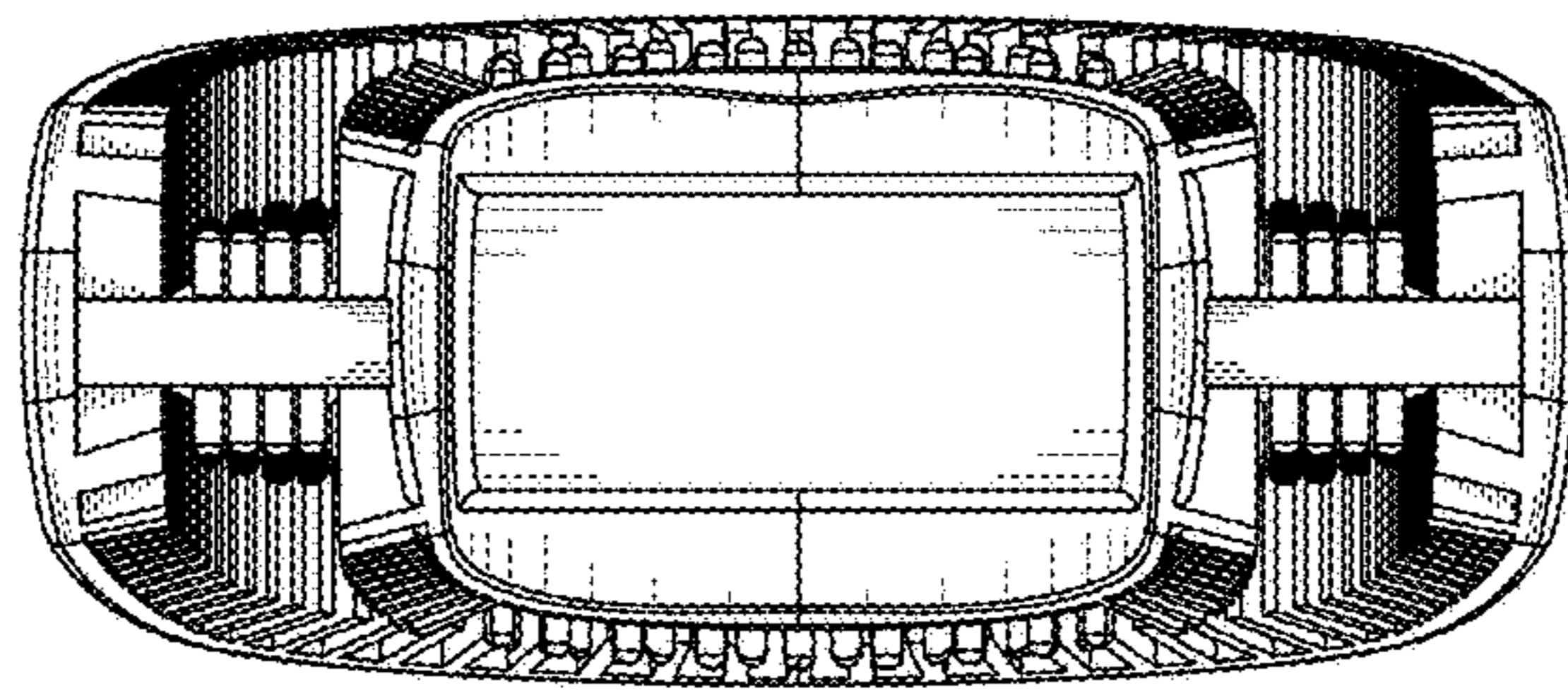


FIG.6

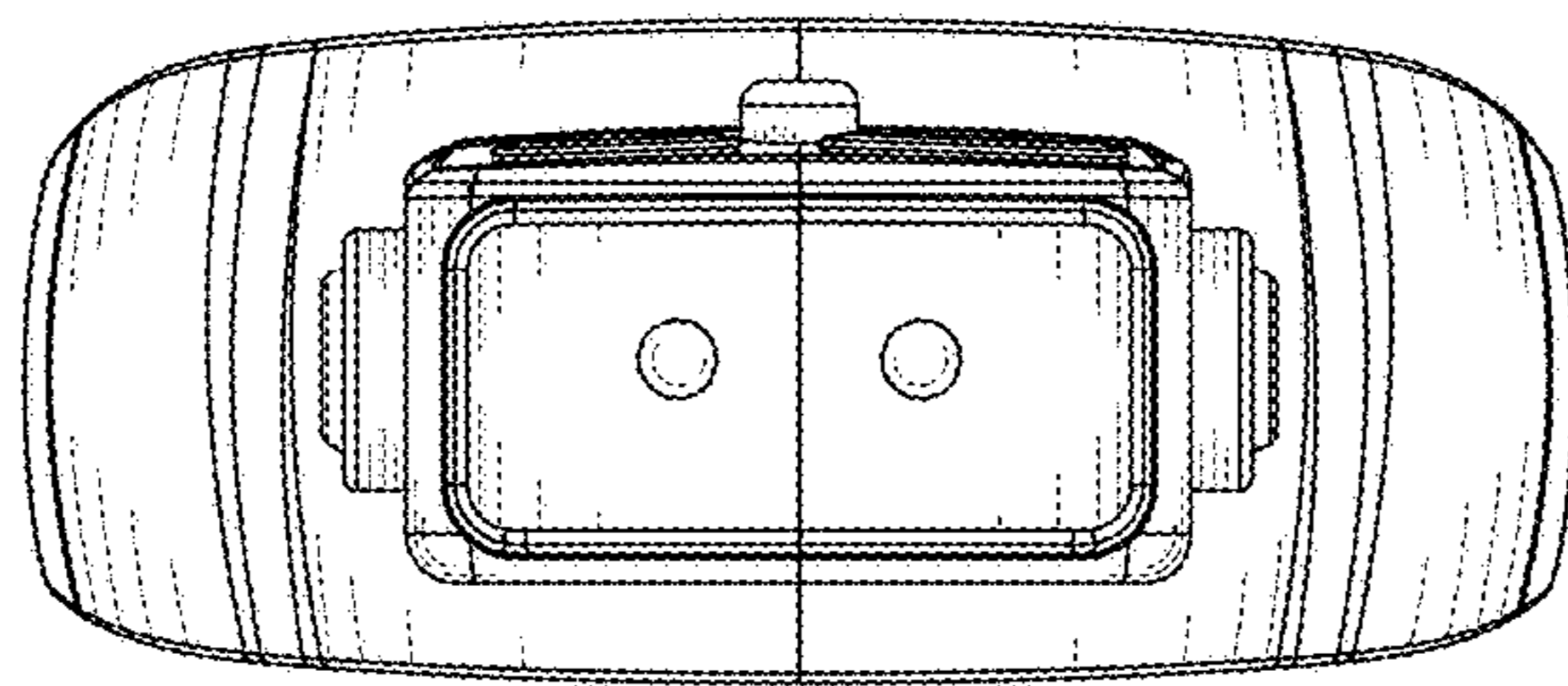


FIG. 7