

US00D864576S

(12) **United States Design Patent** (10) **Patent No.:** **US D864,576 S**
Cagle et al. (45) **Date of Patent:** **** Oct. 29, 2019**

(54) **ORAL CARE DEVICE**

FOREIGN PATENT DOCUMENTS

(71) Applicant: **SAGE PRODUCTS, LLC**, Cary, IL (US)

CN 203493048 U 3/2014
FR 2606615 A 5/1988

(72) Inventors: **Ronald Christopher Cagle**, Crystal Lake, IL (US); **Paul Michael Fowler**, Rockford, IL (US)

OTHER PUBLICATIONS

Partial International Search Report for International Application No. PCT/US2017/061633, dated Feb. 12, 2018, 12 pages.

(73) Assignee: **Sage Products, LLC**, Cary, IL (US)

(Continued)

(**) Term: **15 Years**

Primary Examiner — Philip S Hyder

Assistant Examiner — Cary M Robinson

(21) Appl. No.: **29/607,468**

(74) *Attorney, Agent, or Firm* — Foley & Lardner LLP

(22) Filed: **Jun. 13, 2017**

(51) **LOC (12) Cl.** **28-03**

(57) **CLAIM**

(52) **U.S. Cl.**
USPC **D4/101**

We claim the ornamental design for an oral care device, as shown and described.

(58) **Field of Classification Search**
USPC D1/106, 199; D4/100–104, 108–111, D4/120, 127, 128, 132–136, 138, 199; D6/524, 551; D8/61; D13/107, 108; D14/288; D24/119, 146, 180; D30/158, D30/159

DESCRIPTION

CPC A46B 5/00; A46B 9/04; A46B 9/10; A46B 7/00; A46B 2200/1066; A46B 2200/1073; A46B 2200/1086

FIG. 1 is a front, right, perspective view of the claimed design of the oral care device, according to an embodiment; FIG. 2 is a rear, right, perspective view of the claimed design of FIG. 1;

See application file for complete search history.

FIG. 3 is a top view of the claimed design of FIG. 1; FIG. 4 is a bottom view of the claimed design of FIG. 1; FIG. 5 is a left side view of the claimed design of FIG. 1; FIG. 6 is a right side view of the claimed design of FIG. 1; FIG. 7 is a front side view of the claimed design of FIG. 1; and,

(56) **References Cited**

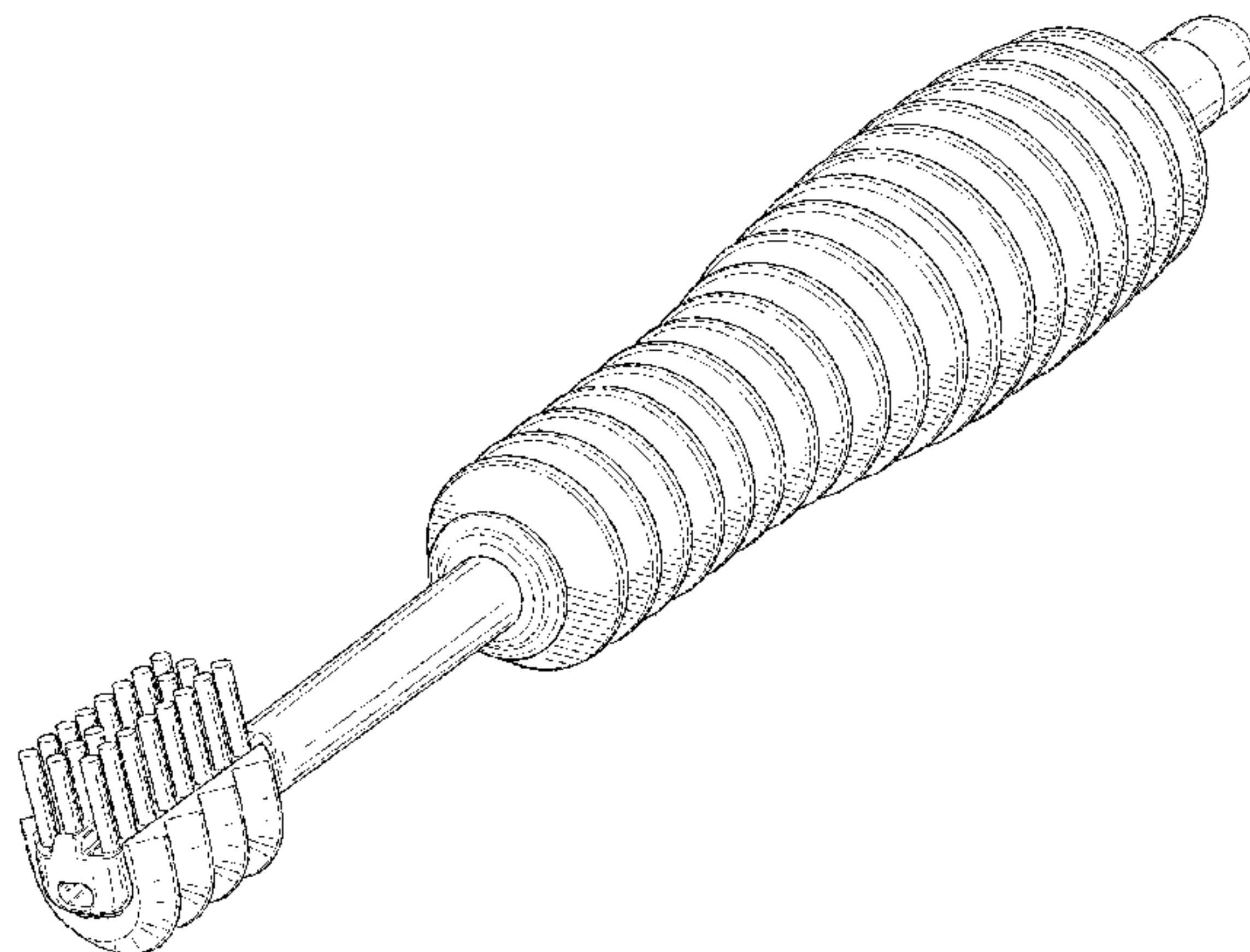
U.S. PATENT DOCUMENTS

1,128,045 A	2/1915	Reenstierna
1,254,714 A	1/1918	McCombs
D149,620 S	5/1948	Darr
D162,881 S	4/1951	Richardson
D172,862 S	8/1954	Brennan
D174,292 S	3/1955	Perez
D186,902 S	12/1959	Fried
3,411,723 A	11/1968	Kohn

FIG. 8 is a rear side view of the claimed design of FIG. 1. The ornamental design which is claimed is shown in solid lines in the drawings. The broken lines in the drawings are for illustrative purposes only and form no part of the claimed design. Oblique lines show a transparent, reflective, or shiny surface, and not surface ornamentation.

(Continued)

1 Claim, 5 Drawing Sheets



(56)

References Cited

U.S. PATENT DOCUMENTS

3,488,788 A * 1/1970 Seymour A61C 17/20
15/22.1
3,840,932 A * 10/1974 Balamuth A61C 17/34
15/167.1
4,149,815 A 4/1979 Kawam
4,192,035 A * 3/1980 Kuris A61C 17/3481
15/22.1
D282,317 S 1/1986 Herzfeld
D282,319 S 1/1986 Herzfeld
D282,698 S * 2/1986 Newton, Jr. 15/110
4,854,760 A 8/1989 Unidec
4,915,219 A 4/1990 Ottimo
4,976,379 A 12/1990 Sloan
4,995,509 A 2/1991 Kornfeind
5,022,559 A 6/1991 Condon
5,246,046 A 9/1993 Schramm
5,311,632 A * 5/1994 Center A61C 17/20
15/22.1
5,495,876 A 3/1996 Schramm
D377,867 S * 2/1997 Berghash D4/105
RE36,131 E 3/1999 Schramm
5,908,057 A 6/1999 Schramm
6,082,999 A 7/2000 Tcherny et al.
6,243,906 B1 * 6/2001 Holliday A46B 15/0055
15/111
6,280,112 B1 8/2001 Vieu
D453,888 S * 2/2002 Gottwald D6/551
6,397,859 B1 6/2002 Byrd
6,418,940 B1 7/2002 Tcherny et al.
D470,661 S * 2/2003 Zetsche D4/116
6,530,707 B1 3/2003 Byrne et al.
6,595,822 B1 7/2003 Thai
6,638,131 B1 10/2003 Thai
6,702,113 B2 3/2004 Marino
6,704,965 B2 3/2004 Ale et al.

6,857,928 B2 2/2005 Thai
RE39,443 E 12/2006 Schramm
7,244,161 B2 7/2007 Thai
7,399,133 B1 7/2008 Eversole
D576,801 S * 9/2008 Dretzka D4/116
7,524,230 B2 4/2009 Thai
D592,404 S * 5/2009 Toeffler D4/104
7,967,519 B2 6/2011 Gueret
RE42,610 E 8/2011 Schramm
D669,981 S * 10/2012 Ruiz, Sr. D24/133
8,506,192 B2 8/2013 Allbritton
8,632,268 B2 1/2014 Kemp
D709,713 S * 7/2014 Yang D6/524
D720,137 S * 12/2014 Schuler D4/128
D736,907 S 8/2015 McCracken et al.
D741,068 S * 10/2015 Frazier D28/7
D752,882 S * 4/2016 Chang D4/138
D774,775 S * 12/2016 Buchholz D4/104
D776,534 S 1/2017 Stratton
D784,024 S * 4/2017 Jun D4/128
D804,770 S 12/2017 Zoubovsky
D812,913 S * 3/2018 Way D4/113
D825,885 S * 8/2018 Falcone D1/199
D835,383 S * 12/2018 Petersen D1/199
2001/0035413 A1 11/2001 Thai
2004/0129580 A1 7/2004 Cochran et al.
2007/0277339 A1 12/2007 Barsheshet
2013/0074867 A1 3/2013 Leung
2014/0137352 A1 5/2014 Golla et al.
2018/0055184 A1 * 3/2018 McVeigh A45D 20/12
2018/0055187 A1 * 3/2018 Galligan A45D 20/12

OTHER PUBLICATIONS

International Search Report and Written Opinion for International Application No. PCT/US2017/061633, dated Apr. 6, 2018, 17 pages.

* cited by examiner

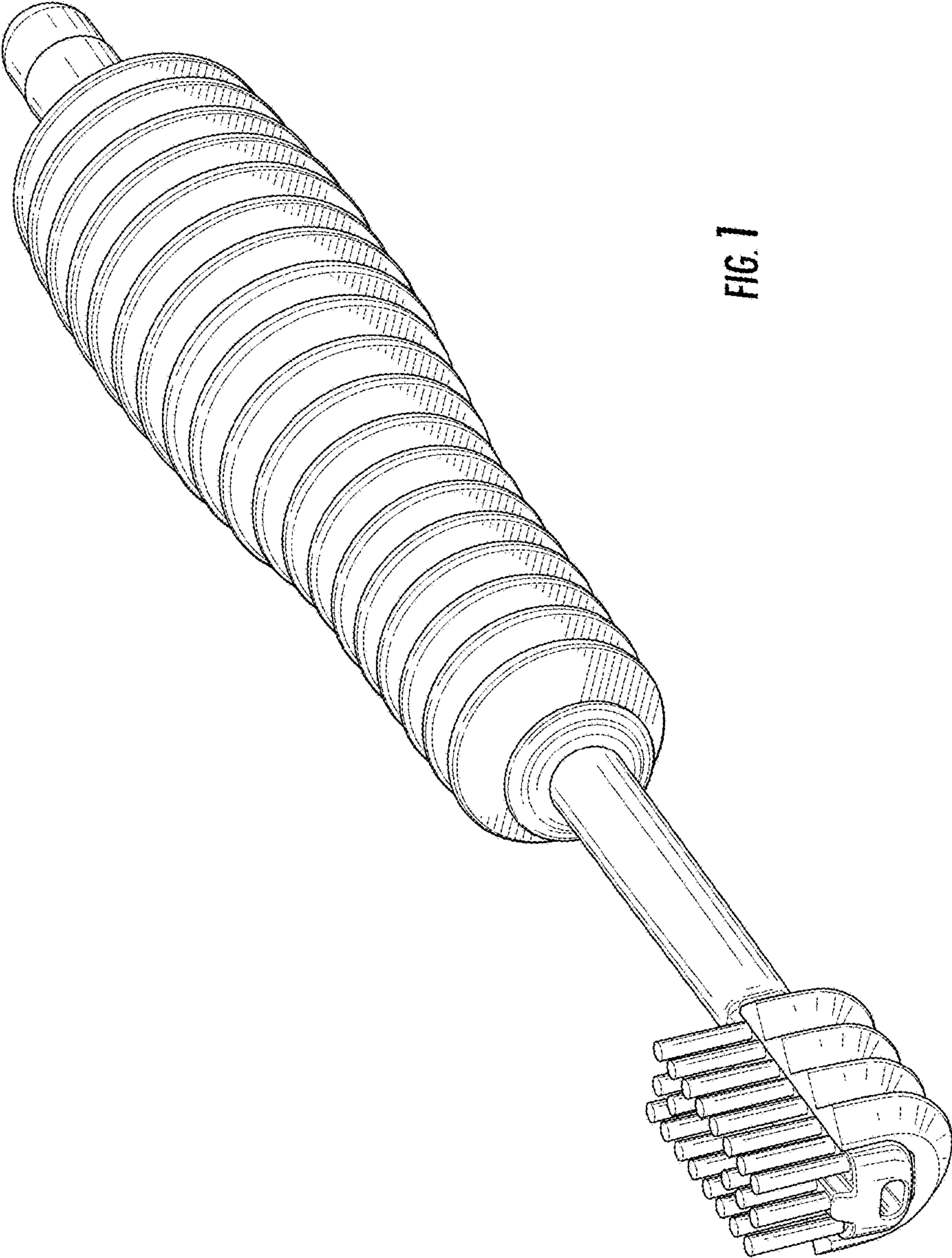


FIG. 1

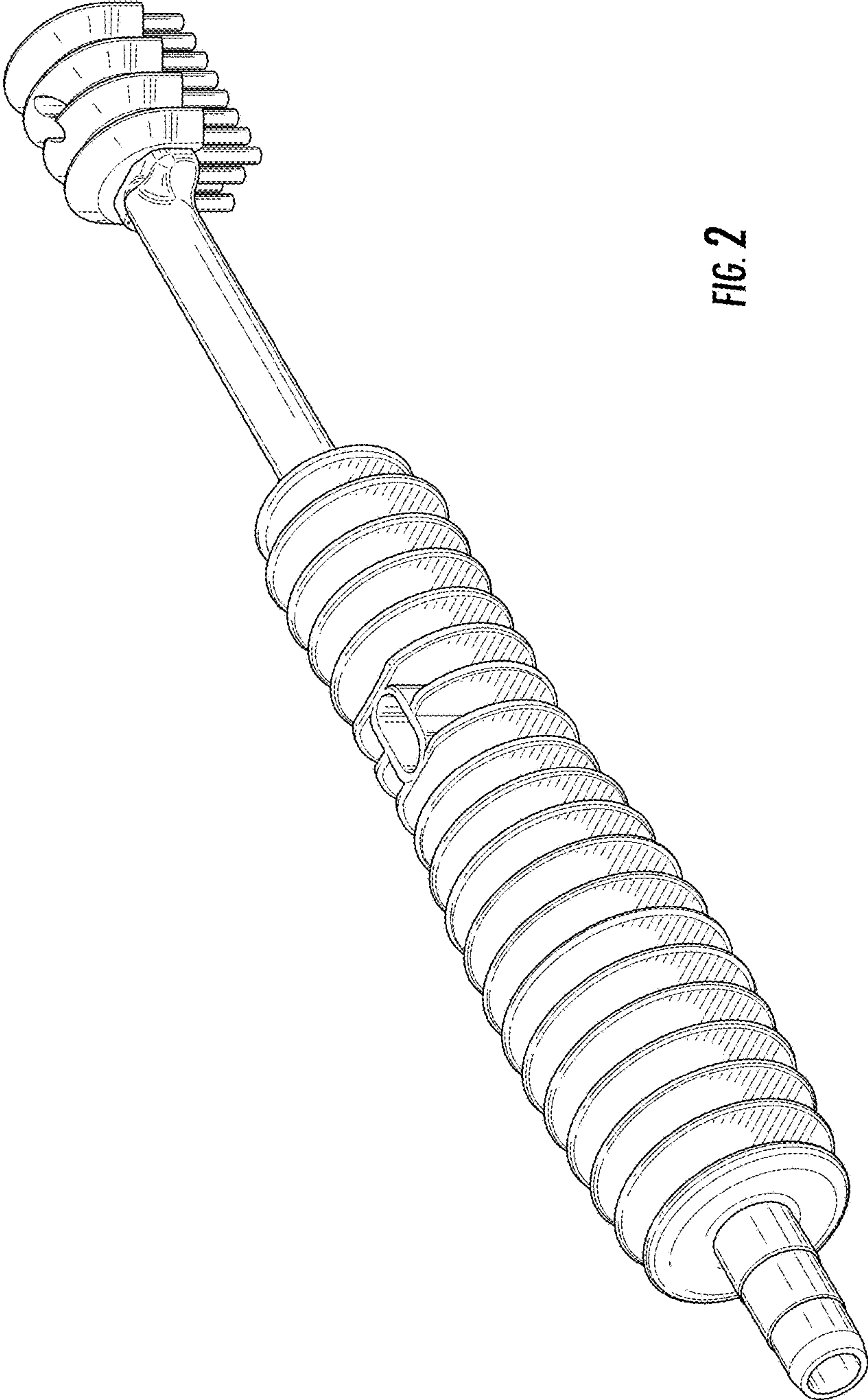


FIG. 2

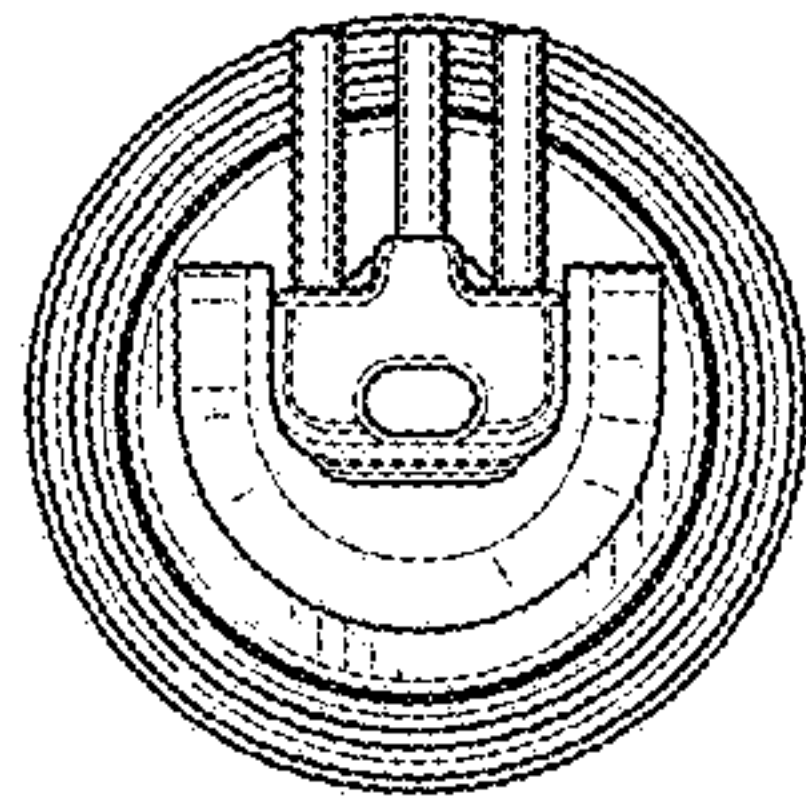


FIG. 3

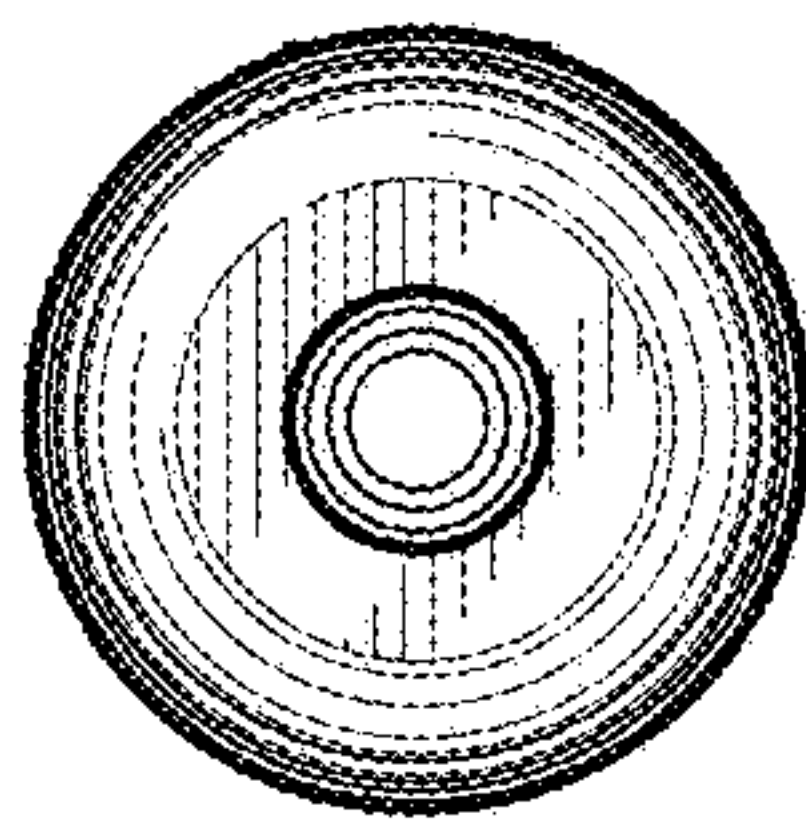


FIG. 4

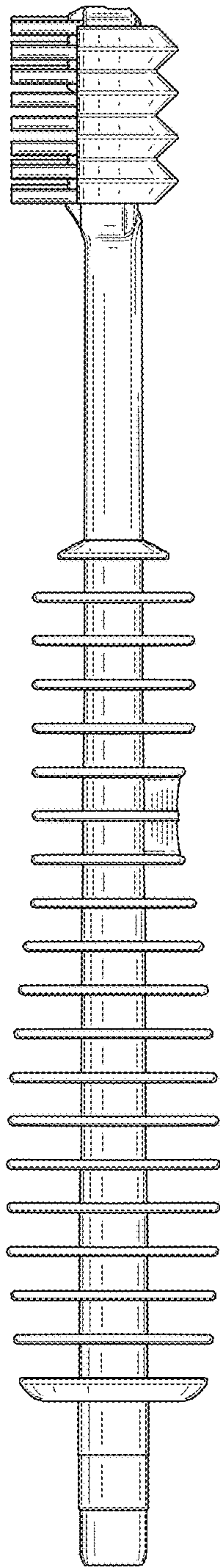


FIG. 5

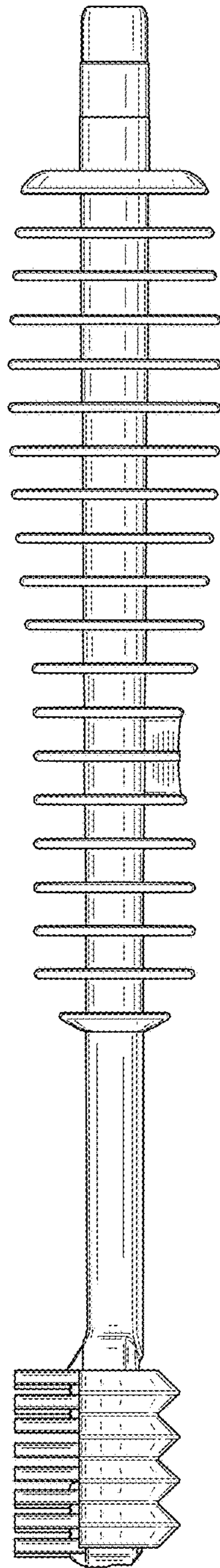


FIG. 6

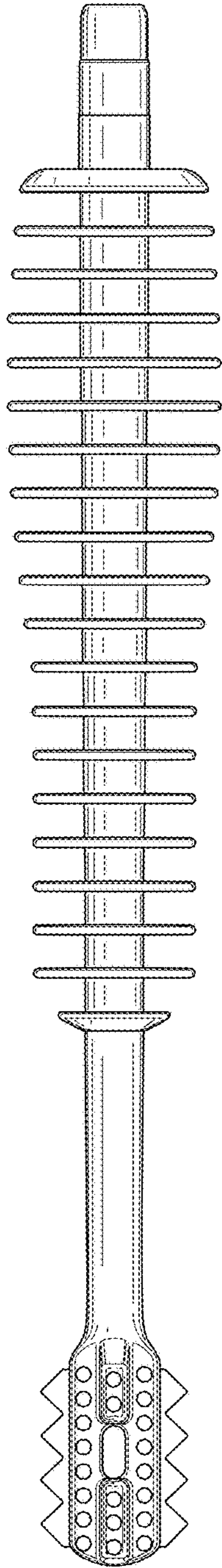


FIG. 7

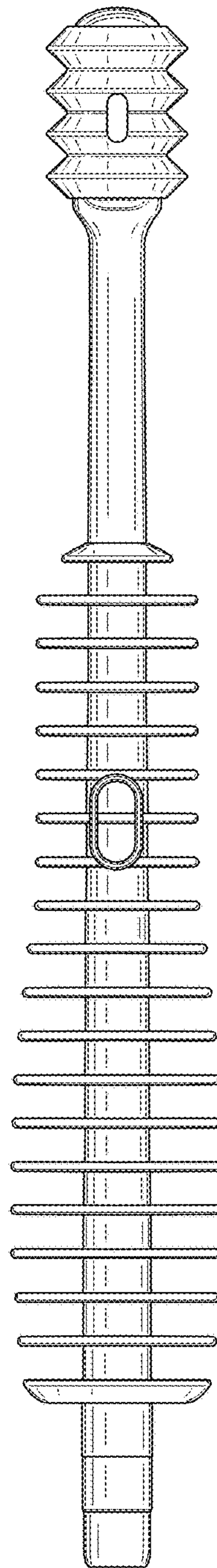


FIG. 8

UNITED STATES PATENT AND TRADEMARK OFFICE
CERTIFICATE OF CORRECTION

PATENT NO. : D864,576 S
APPLICATION NO. : 29/607468
DATED : October 29, 2019
INVENTOR(S) : Ronald Christopher Cagle et al.

Page 1 of 1

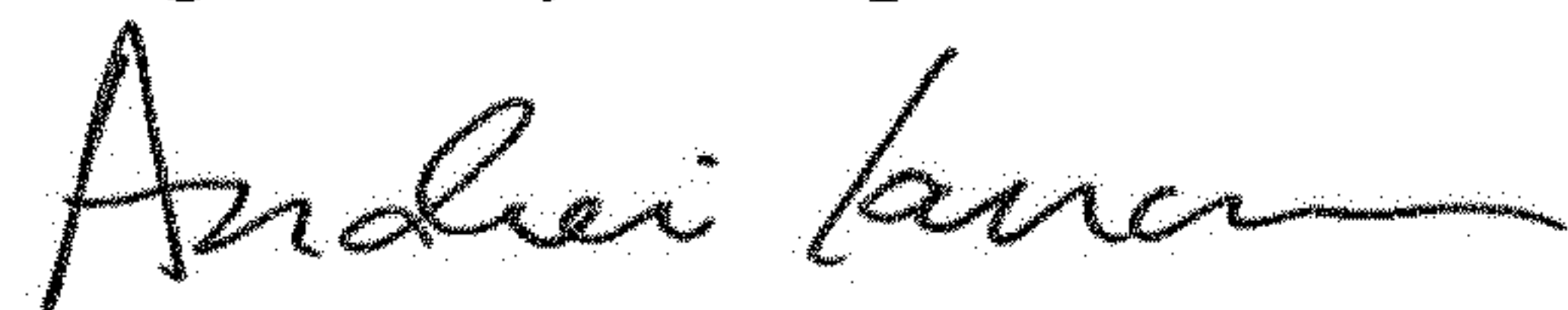
It is certified that error appears in the above-identified patent and that said Letters Patent is hereby corrected as shown below:

On the Title Page

Item (72) Inventors:

Add -- Timothy J. Rapinchuk, Cary, IL (US) --

Signed and Sealed this
Eighth Day of September, 2020



Andrei Iancu
Director of the United States Patent and Trademark Office