



US00D864575S

(12) **United States Design Patent** (10) **Patent No.:** **US D864,575 S**
Meng (45) **Date of Patent:** **** Oct. 29, 2019**

(54) **COMBINED ELECTRIC TOOTHBRUSH AND BASE**

(71) Applicant: **Soocas (Shenzhen) Technology Co., Ltd**, Shenzhen (CN)

(72) Inventor: **Fan Di Meng**, Shenzhen (CN)

(73) Assignee: **Soocas (Shenzhen) Technology Co. Ltd.**, Shenzhen, Guangdong Province (CN)

(**) Term: **15 Years**

(21) Appl. No.: **29/589,373**

(22) Filed: **Dec. 30, 2016**

(30) **Foreign Application Priority Data**

Nov. 10, 2016 (CN) 2016 3 0547013

(51) **LOC (12) Cl.** **28-03**

(52) **U.S. Cl.**
USPC **D4/101; D4/108**

(58) **Field of Classification Search**
USPC D4/101, 102, 104, 108, 109, 111, 112, D4/113; D24/119, 152, 176
CPC .. A46B 5/00; A46B 5/021; A46B 9/04; A46B 9/10; A46B 2200/106
See application file for complete search history.

(56) **References Cited**

U.S. PATENT DOCUMENTS

D363,605 S	*	10/1995	Kou	D4/101
D505,015 S	*	5/2005	Nanda	D4/108
D649,787 S	*	12/2011	Ivarsson	D4/101
D696,517 S	*	12/2013	Gebbski	D4/101
D719,737 S	*	12/2014	Adriaenssen	D4/101
D758,079 S	*	6/2016	Since	D4/101
D758,080 S	*	6/2016	Since	D4/101

(Continued)

OTHER PUBLICATIONS

Soocas / Soocare X3 Sonic Electric Toothbrush—Oval White, [on-line]; [review posted to the Internet in Sep. 2016]; [retrieved from the Internet on Jan. 2, 2018]; URL: https://www.gearbest.com/tooth-care/pp_616635.html. (22 pgs). (Year: 2016).*

(Continued)

Primary Examiner — Karen S Acker

Assistant Examiner — Jasmine Mlinarcik

(74) *Attorney, Agent, or Firm* — D’Ambrosio & Menon, PLLC; Usha Menon

(57) **CLAIM**

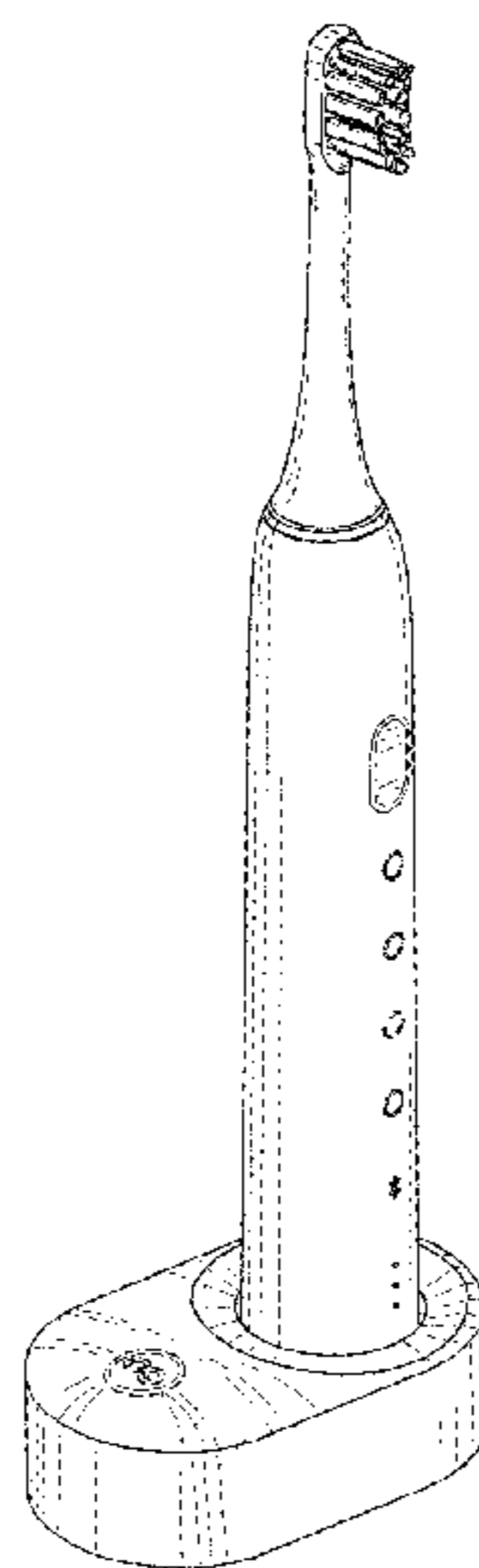
The ornamental design for a combined electric toothbrush and base, as shown and described.

DESCRIPTION

FIG. 1 is a perspective view of a combined electric toothbrush and base showing my new design;
FIG. 2 is a perspective view of the brush component;
FIG. 3 is a front view thereof;
FIG. 4 is a rear view thereof;
FIG. 5 is a left view of thereof;
FIG. 6 is a right view thereof;
FIG. 7 is a top view thereof;
FIG. 8 is a bottom view thereof;
FIG. 9 is a front view of the base component;
FIG. 10 is a rear view thereof;
FIG. 11 is a left view thereof;
FIG. 12 is a right view thereof;
FIG. 13 is a top view thereof; and,
FIG. 14 is a bottom view thereof.

The dash-dash broken lines shown in the drawings are for the purpose of illustrating portions of the combined electric toothbrush and base that form no part of the claimed design. The dash-dot-dash broken lines shown in the drawings define the bounds of the claimed design and form no part thereof.

1 Claim, 14 Drawing Sheets



(56)

References Cited

U.S. PATENT DOCUMENTS

D758,743 S * 6/2016 Cessot D4/199
D759,381 S * 6/2016 Watkins D4/101
D795,419 S * 8/2017 Kohler D24/111
2013/0125326 A1* 5/2013 Schmid A46B 9/04
15/105

OTHER PUBLICATIONS

Soocare X3—Acoustic Smart Toothbrush, [on-line]; [published to the Internet on Oct. 16, 2016]; [retrieved from the Internet on Jan. 2, 2018]; URL: <https://www.youtube.com/watch?v=v00PJ2Mqslo>. (3 pgs). (Year: 2016).*

Soocas X3 Sonic Electric Toothbrush, [on-line]; [published to the Internet on Mar. 13, 2017]; [retrieved from the Internet on Jan. 2, 2018]; URL: <https://www.youtube.com/watch?v=NO2FnwpLVQA>. (5 pgs). (Year: 2017).*

Souse Adult Rechargeable Automatic Vibration Sonic Electric Toothbrush . . . [on-line]; [Internet publication date unknown]; [retrieved from the Internet on Jan. 2, 2018]; URL: <https://www.english.taobao.net/product/557263409175/>. (4 pgs). (Year: 2018).*

* cited by examiner

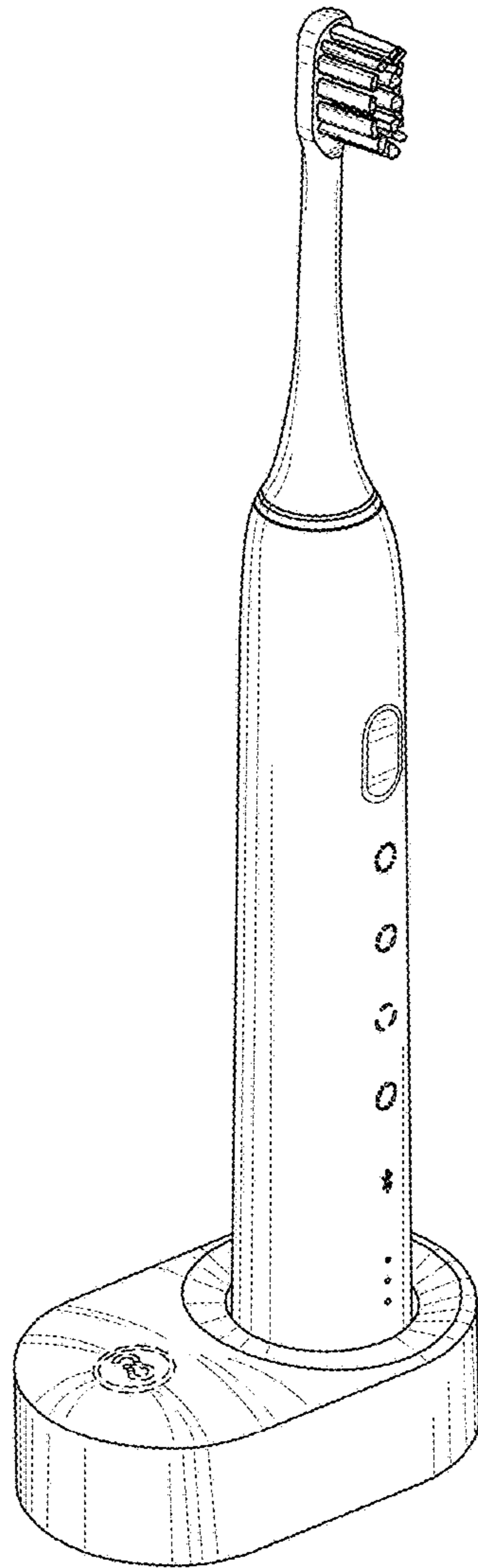


FIG.1

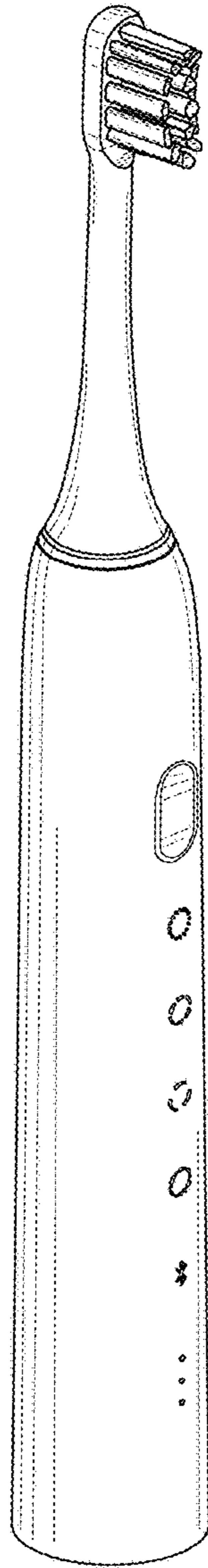


FIG. 2

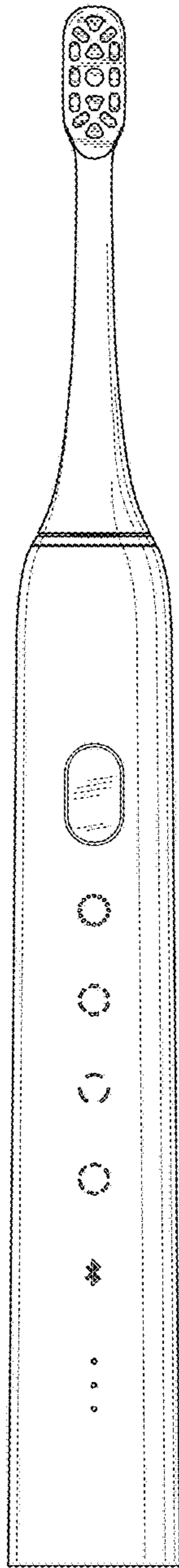


FIG. 3

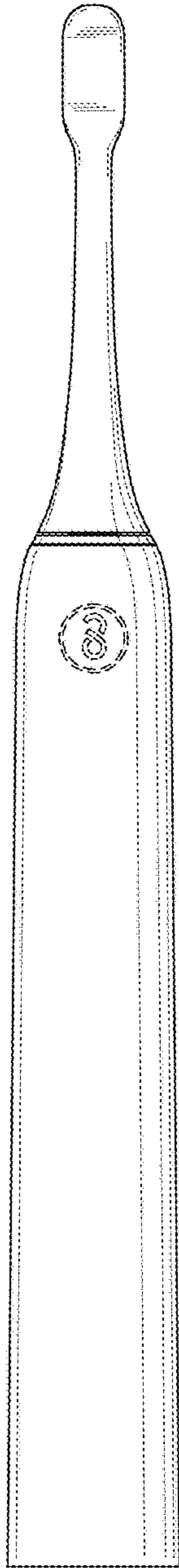


FIG.4

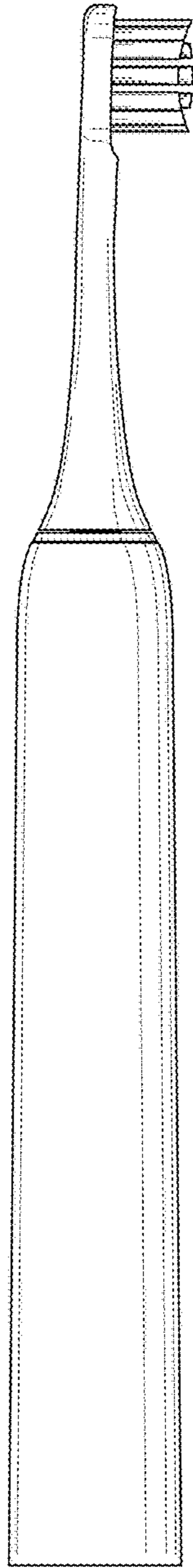


FIG.5

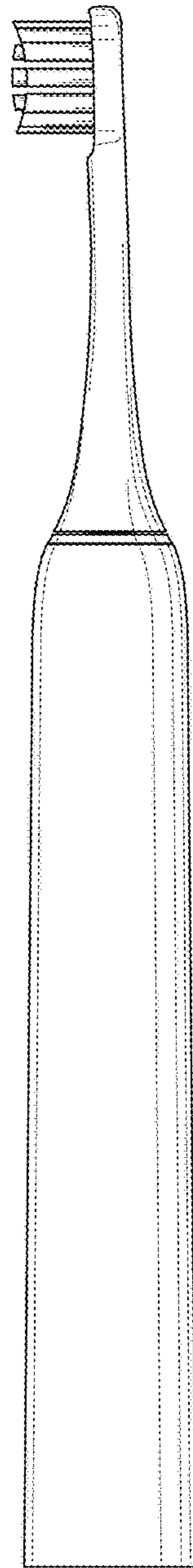


FIG. 6

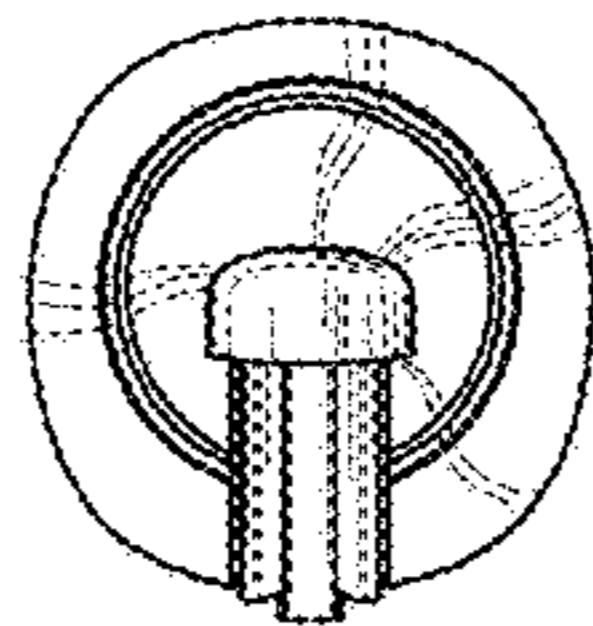


FIG.7

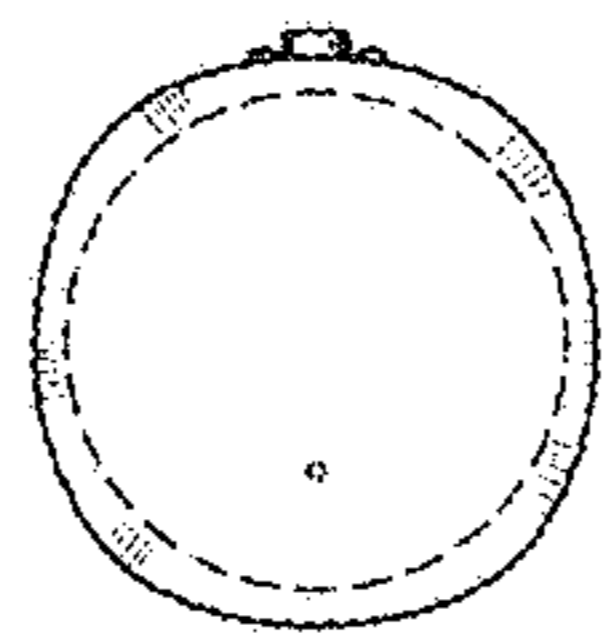


FIG.8

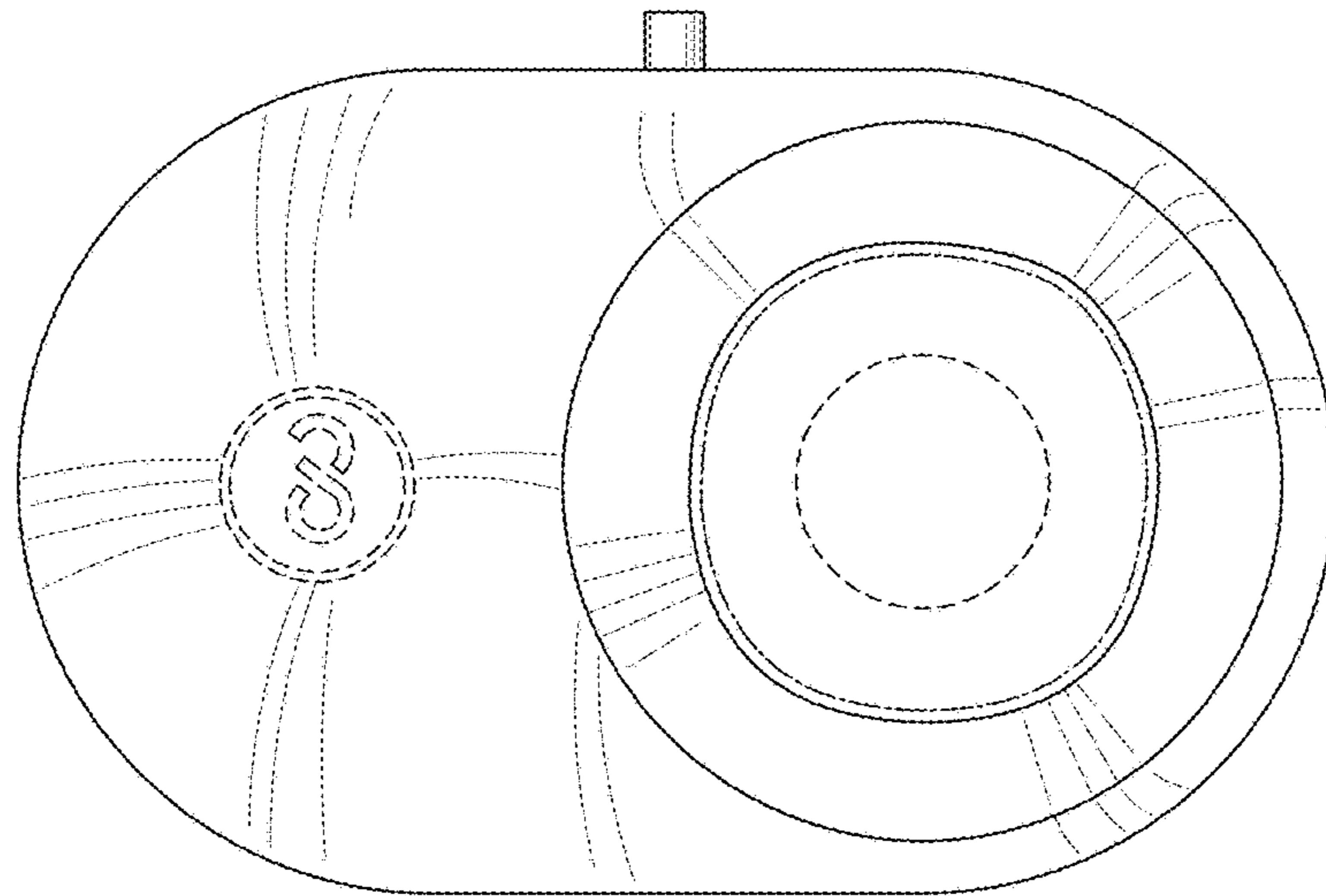


FIG.9

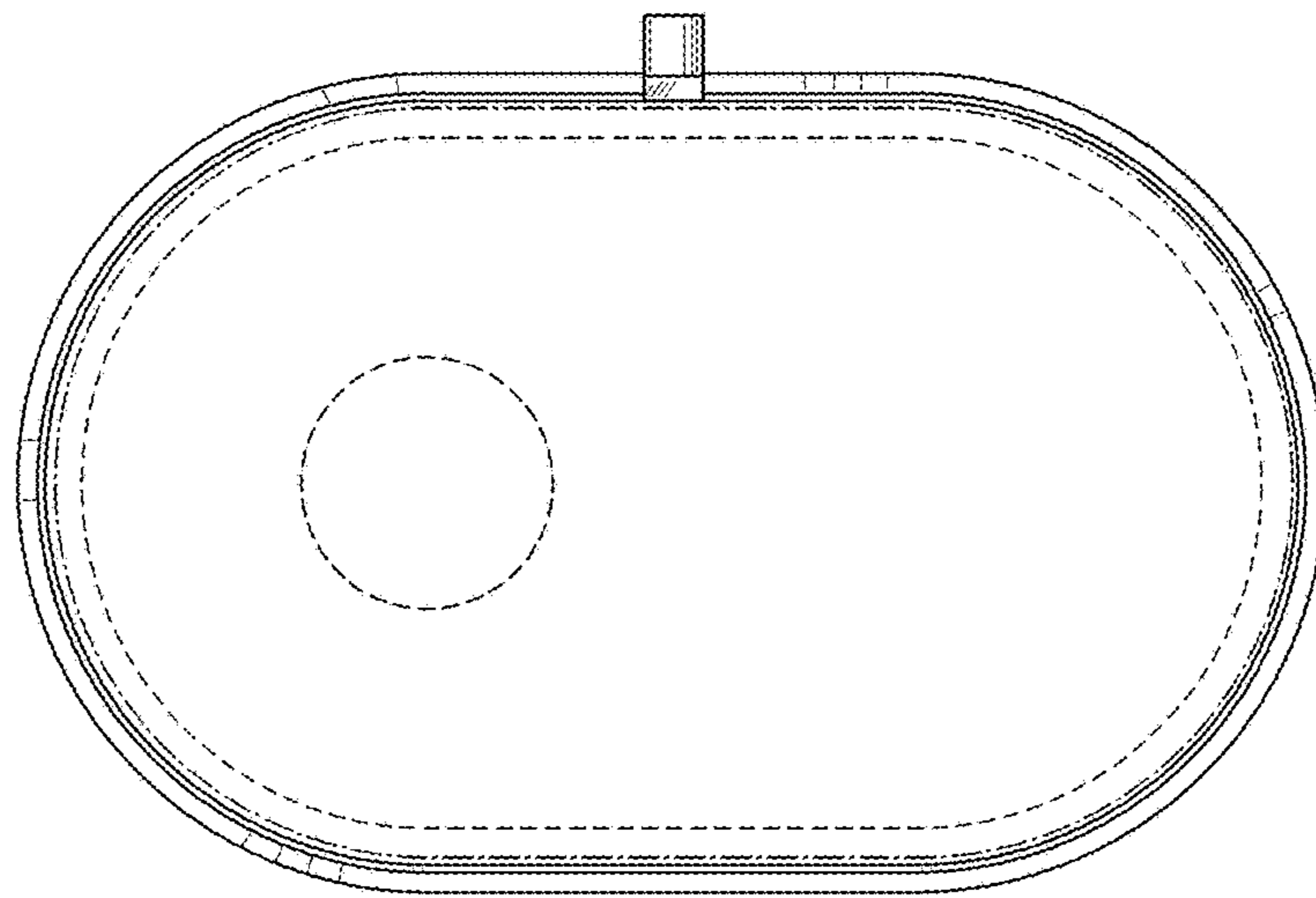


FIG.10

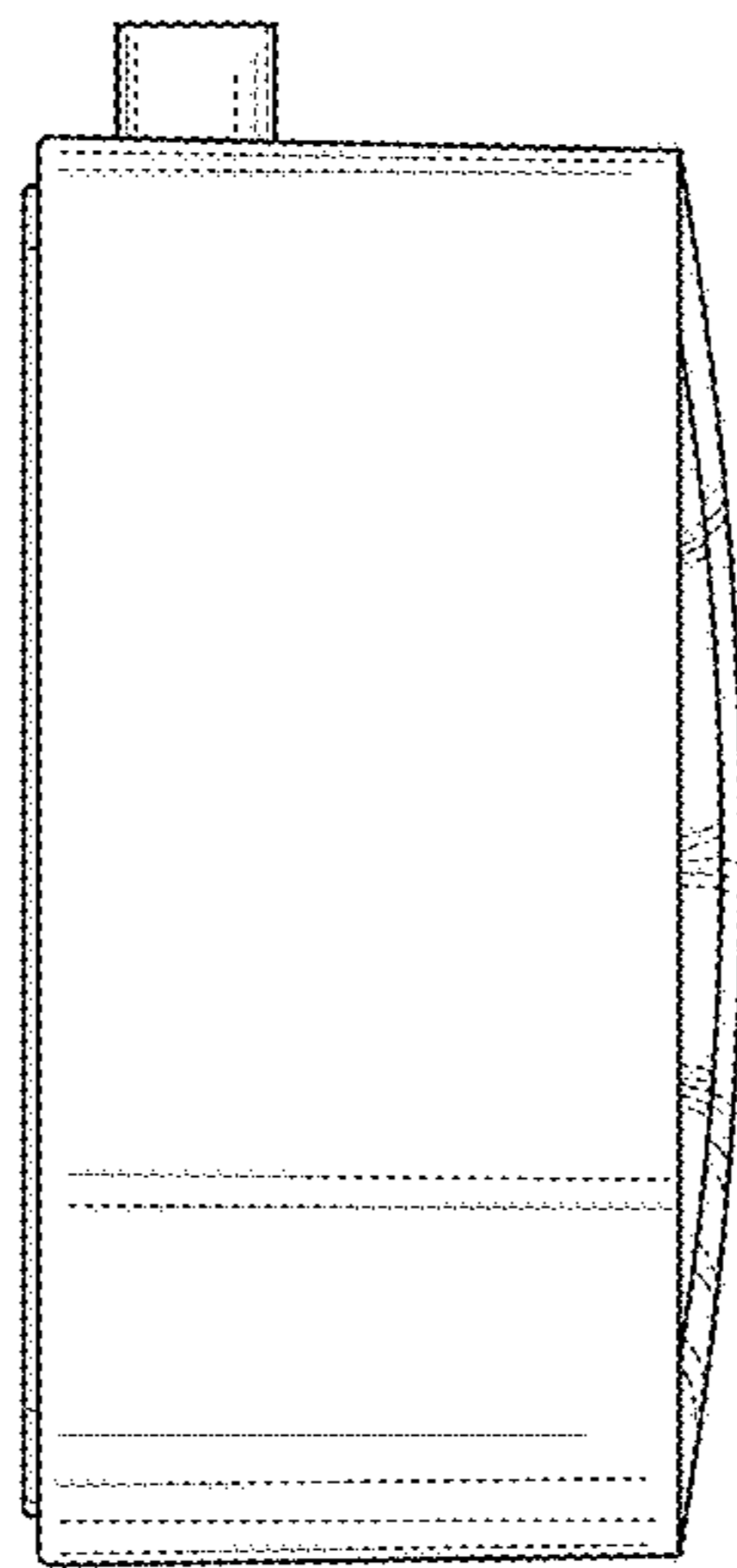


FIG.11

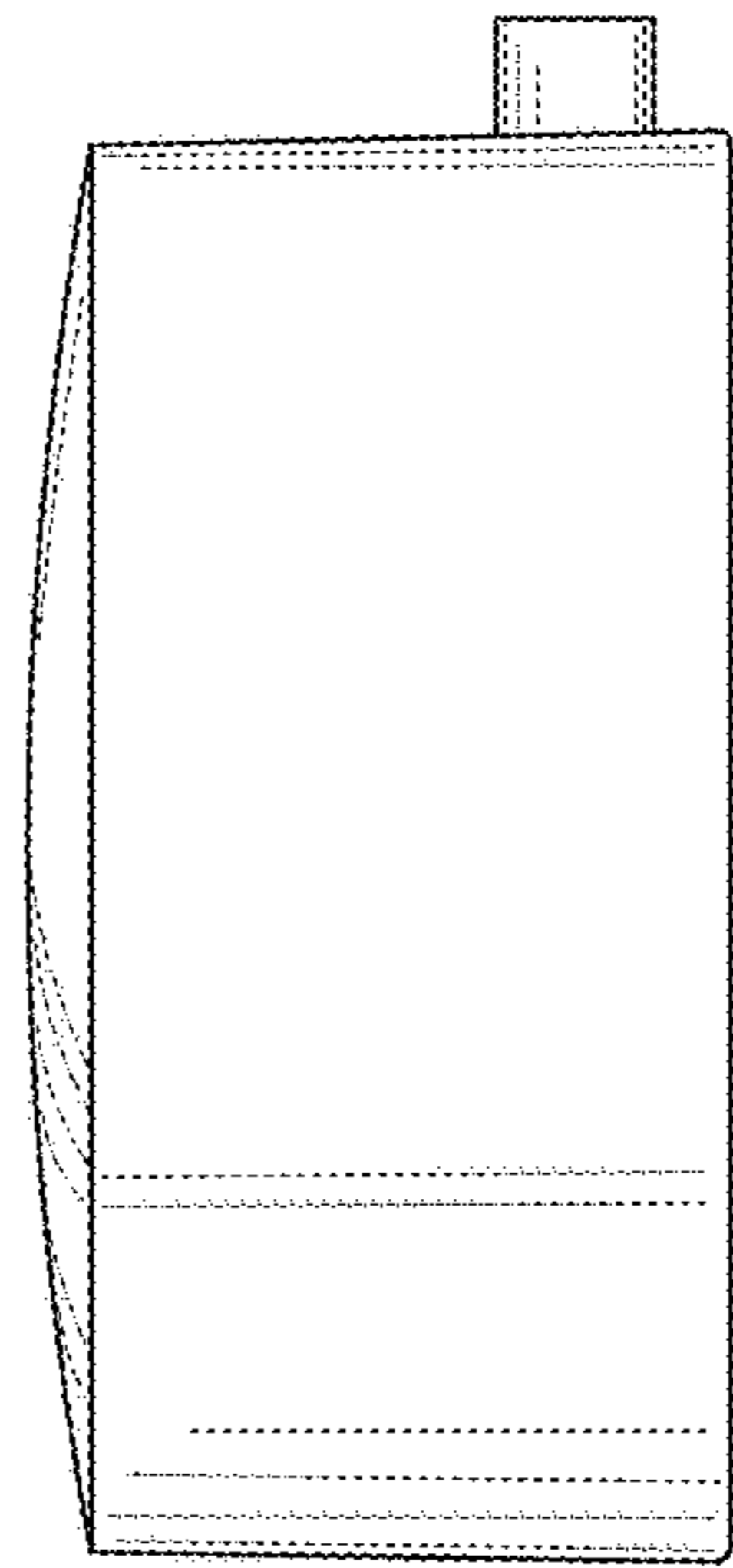


FIG.12

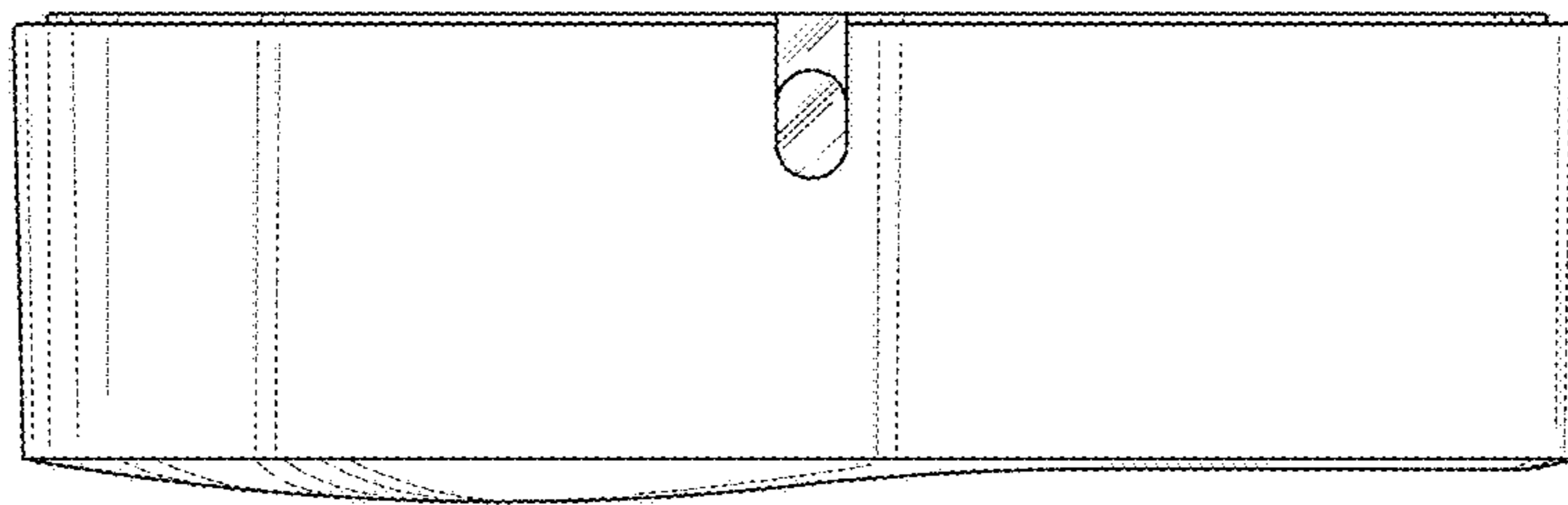


FIG.13

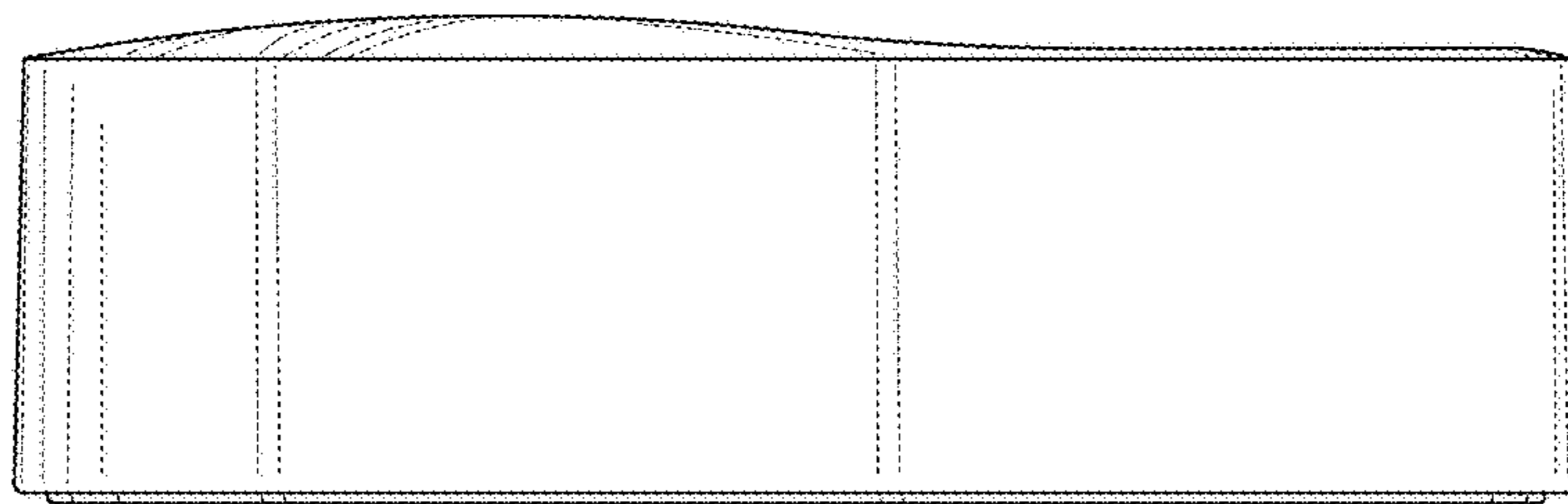


FIG.14