

US00D864574S

(12) **United States Design Patent**  
**Rahardjo**

(10) **Patent No.:** **US D864,574 S**

(45) **Date of Patent:** **\*\* Oct. 29, 2019**

(54) **HANDBAG HARDWARE**

(71) Applicant: **Sri Rahardjo**, Singapore (SG)

(72) Inventor: **Sri Rahardjo**, Singapore (SG)

(\*\*) Term: **15 Years**

(21) Appl. No.: **29/640,097**

(22) Filed: **Mar. 12, 2018**

(51) **LOC (12) Cl.** ..... **03-01**

(52) **U.S. Cl.**  
USPC ..... **D3/324; D3/318**

(58) **Field of Classification Search**

USPC ..... D3/232–233, 240–243, 318, 324  
CPC .. A44C 5/18; A44C 5/20; A44C 5/185; A44C  
5/2009; A44C 5/2014; A45C 13/10; A45C  
1/024; A45C 3/06

See application file for complete search history.

(56) **References Cited**

**U.S. PATENT DOCUMENTS**

D121,754 S \* 7/1940 Pichel ..... D3/324  
D701,046 S \* 3/2014 Ford ..... D3/318

D789,693 S \* 6/2017 Gerbelle ..... D3/324  
D797,457 S \* 9/2017 Gerbelle ..... D3/324  
D808,657 S \* 1/2018 Gerbelle ..... D3/324

\* cited by examiner

*Primary Examiner* — Holly H Baynham

(74) *Attorney, Agent, or Firm* — Ziegler IP Law Group,  
LLC

(57) **CLAIM**

The ornamental design for handbag hardware, as shown and described.

**DESCRIPTION**

FIG. 1 is a perspective view of a first embodiment of handbag hardware showing the new design; FIG. 2 is front view thereof; FIG. 3 is a side view thereof; FIG. 4 is another side view thereof, shown from the side opposite that shown in FIG. 3; and, FIG. 5 is a top view thereof. The broken lines shown in the drawings illustrate environmental structure that forms no part of the claimed design.

**1 Claim, 5 Drawing Sheets**





FIG. 1

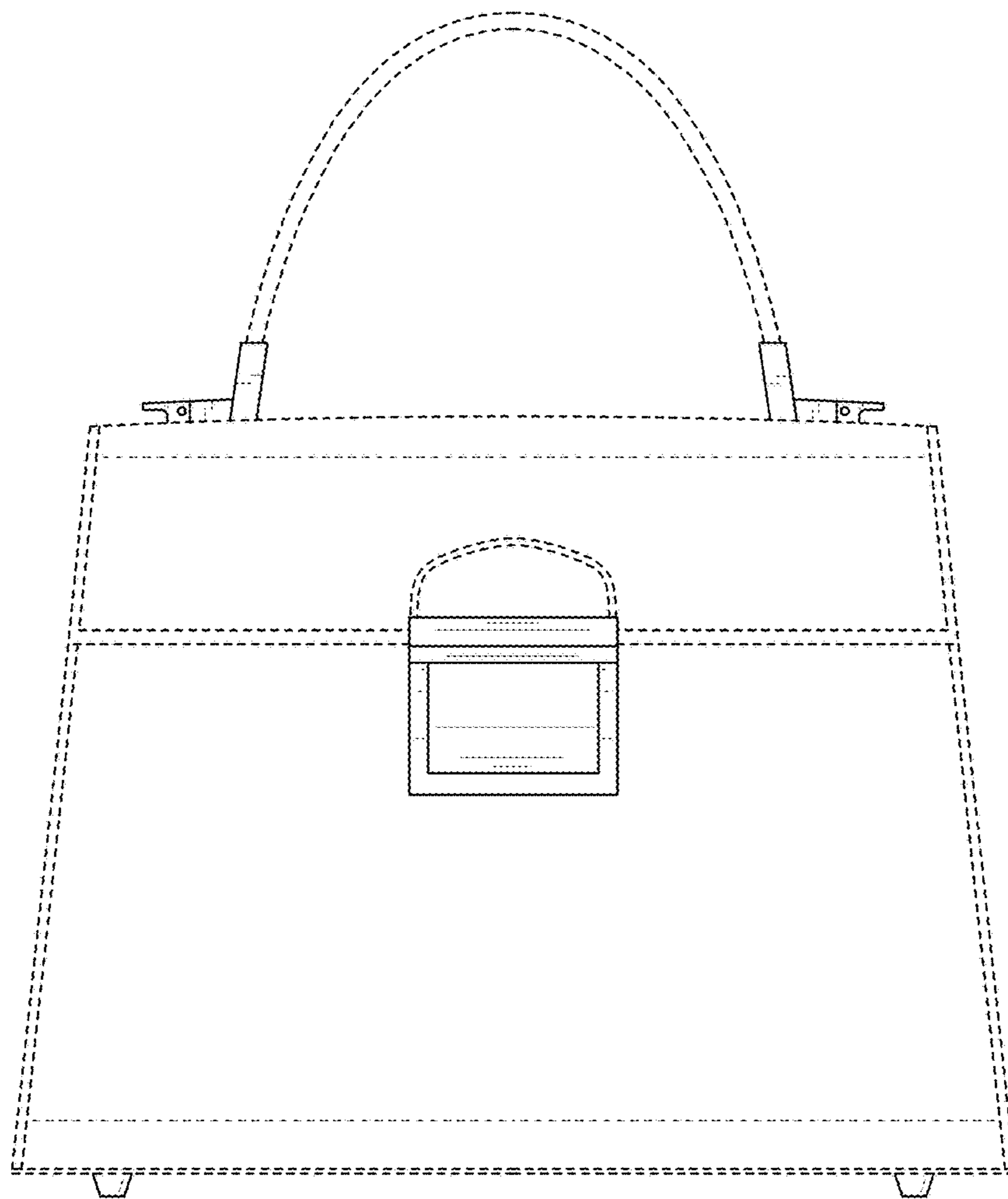


FIG. 2

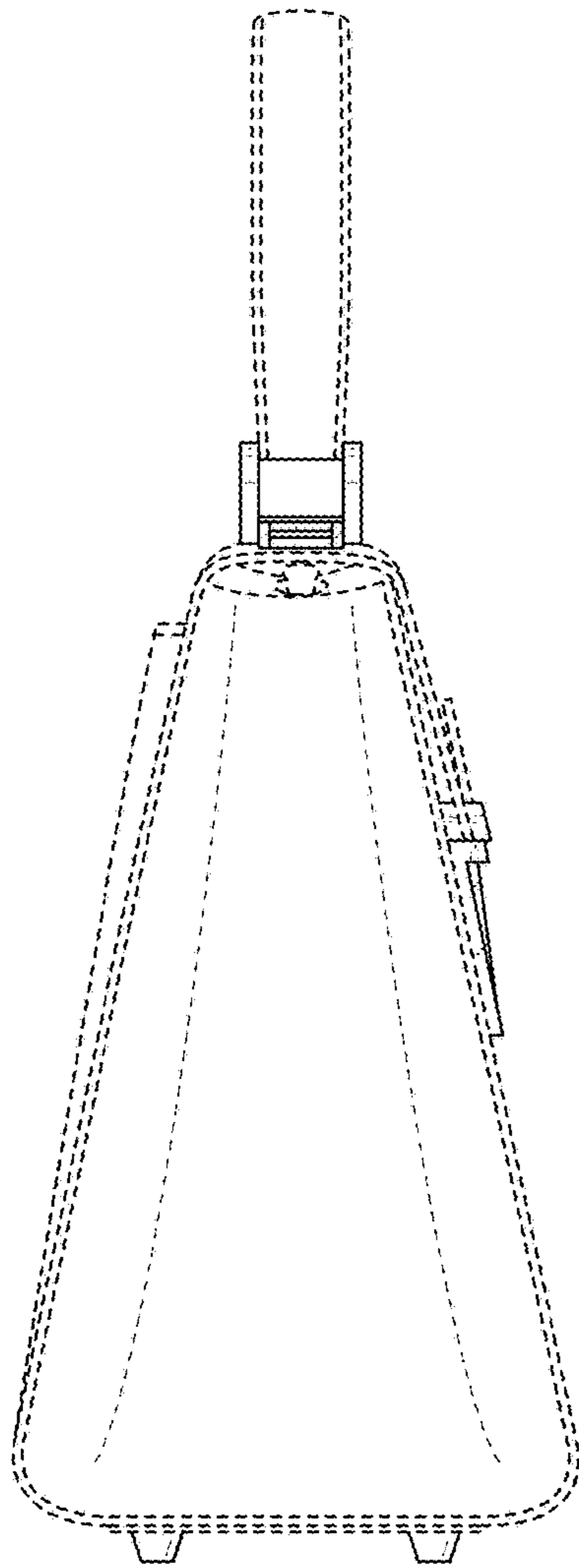


FIG. 3

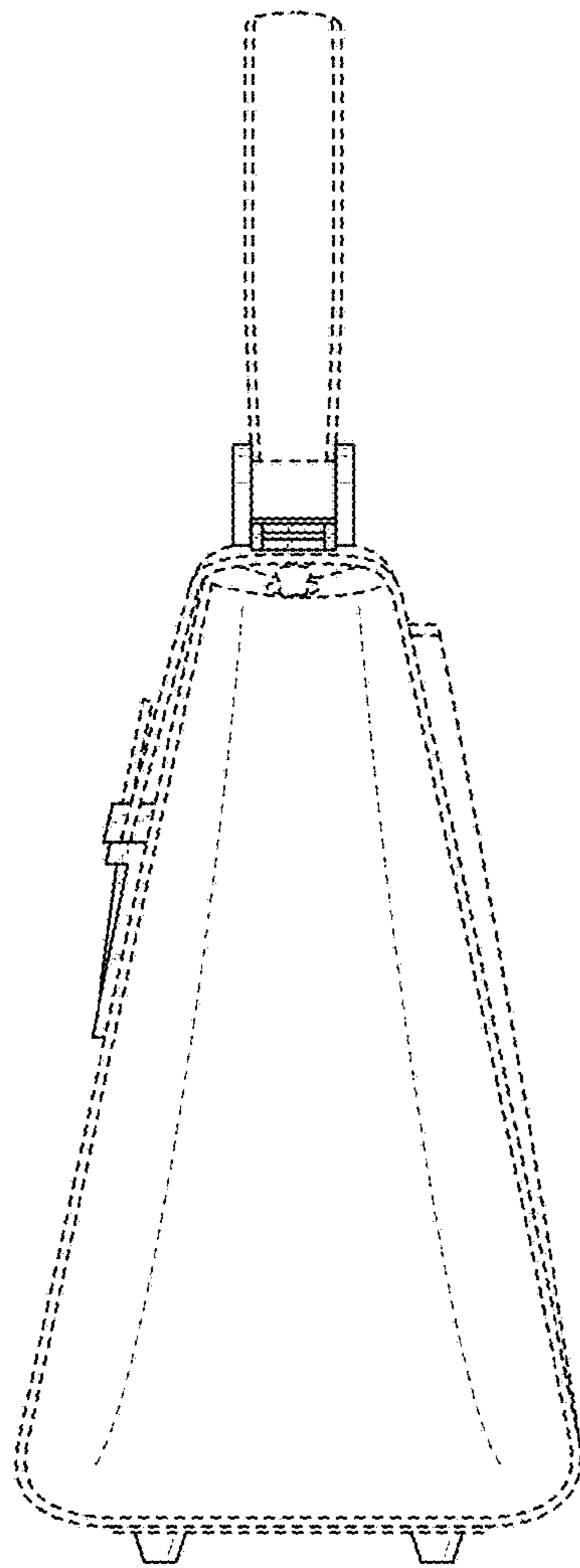


FIG. 4

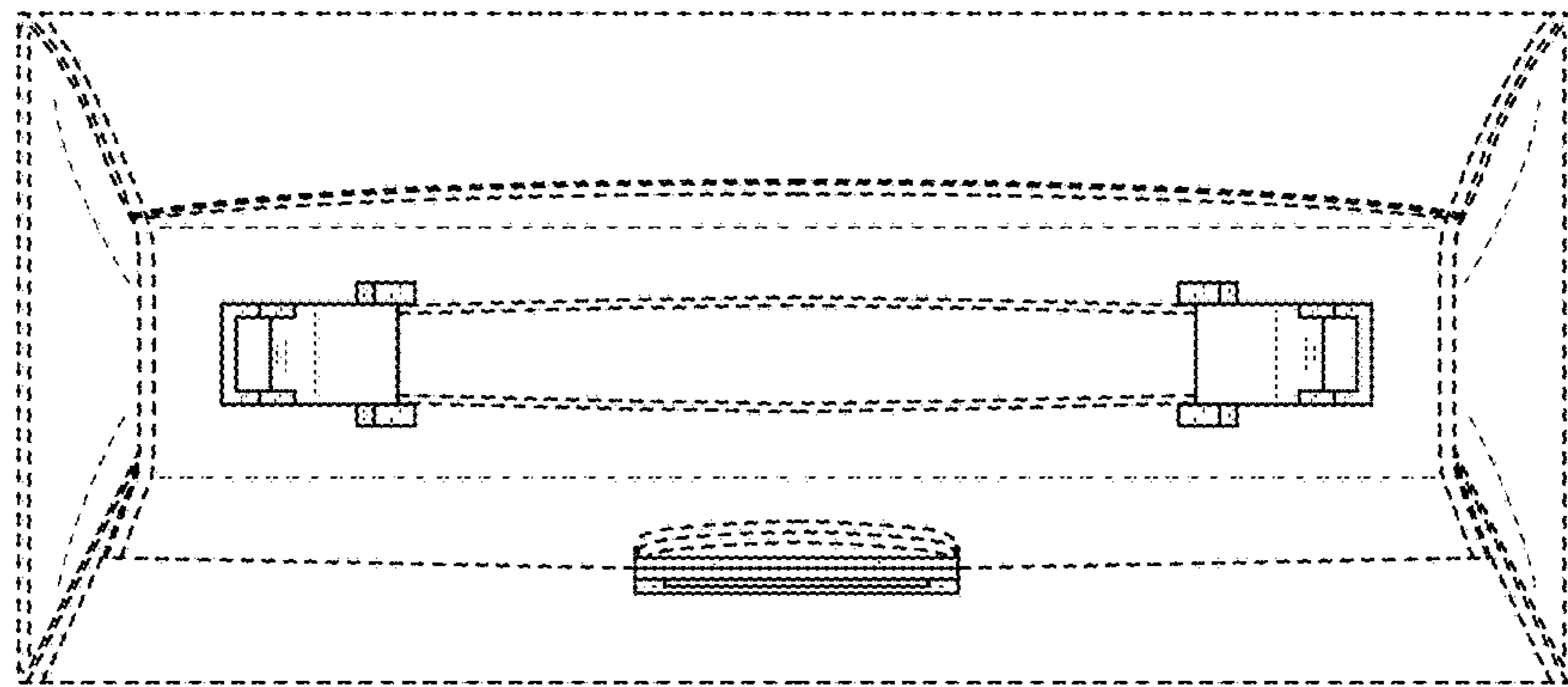


FIG. 5