

US00D864572S

(12) **United States Design Patent**  
**Tayne**

(10) **Patent No.:** **US D864,572 S**

(45) **Date of Patent:** **\*\* Oct. 29, 2019**

(54) **PULL HANDLE FOR A ROLLING CASE**

6,196,366 B1 \* 3/2001 Lin ..... A45C 13/262  
190/103

(71) Applicant: **Becklin Holdings, Inc.**, Grants Pass,  
OR (US)

6,405,407 B1 \* 6/2002 Chen ..... A45C 13/262  
16/113.1

(72) Inventor: **Adrian Tayne**, Grants Pass, OR (US)

D497,480 S \* 10/2004 Drew ..... D3/318  
D570,601 S \* 6/2008 Drew ..... D3/318  
D806,394 S \* 1/2018 Liang ..... D3/318

(73) Assignee: **Becklin Holdings, Inc.**, Grants Pass,  
OR (US)

\* cited by examiner

(\*\*) Term: **15 Years**

*Primary Examiner* — Holly H Baynham

(21) Appl. No.: **29/645,401**

(74) *Attorney, Agent, or Firm* — Lowe Graham Jones  
PLLC

(22) Filed: **Apr. 25, 2018**

(51) **LOC (12) Cl.** ..... **03-01**

(52) **U.S. Cl.**  
USPC ..... **D3/318**

(58) **Field of Classification Search**  
USPC ..... D3/318  
CPC ... A45F 5/10; A45F 5/14; B65D 33/06; A45C  
13/262

See application file for complete search history.

(56) **References Cited**

U.S. PATENT DOCUMENTS

- 5,330,037 A \* 7/1994 Wang ..... A45C 5/14  
16/113.1
- 5,482,147 A \* 1/1996 Wang ..... A45C 5/14  
190/115
- 6,176,357 B1 \* 1/2001 Kuo ..... A45C 5/14  
190/115

(57) **CLAIM**

I claim the ornamental design for an improved pull handle for a rolling case, as shown and described.

**DESCRIPTION**

FIG. 1 is a top plan view of the handle assembly, showing my new design.

FIG. 2 is a bottom plan view thereof.

FIG. 3 is a right side elevational view thereof.

FIG. 4 is a left side elevational view thereof.

FIG. 5 is a rear elevational view thereof.

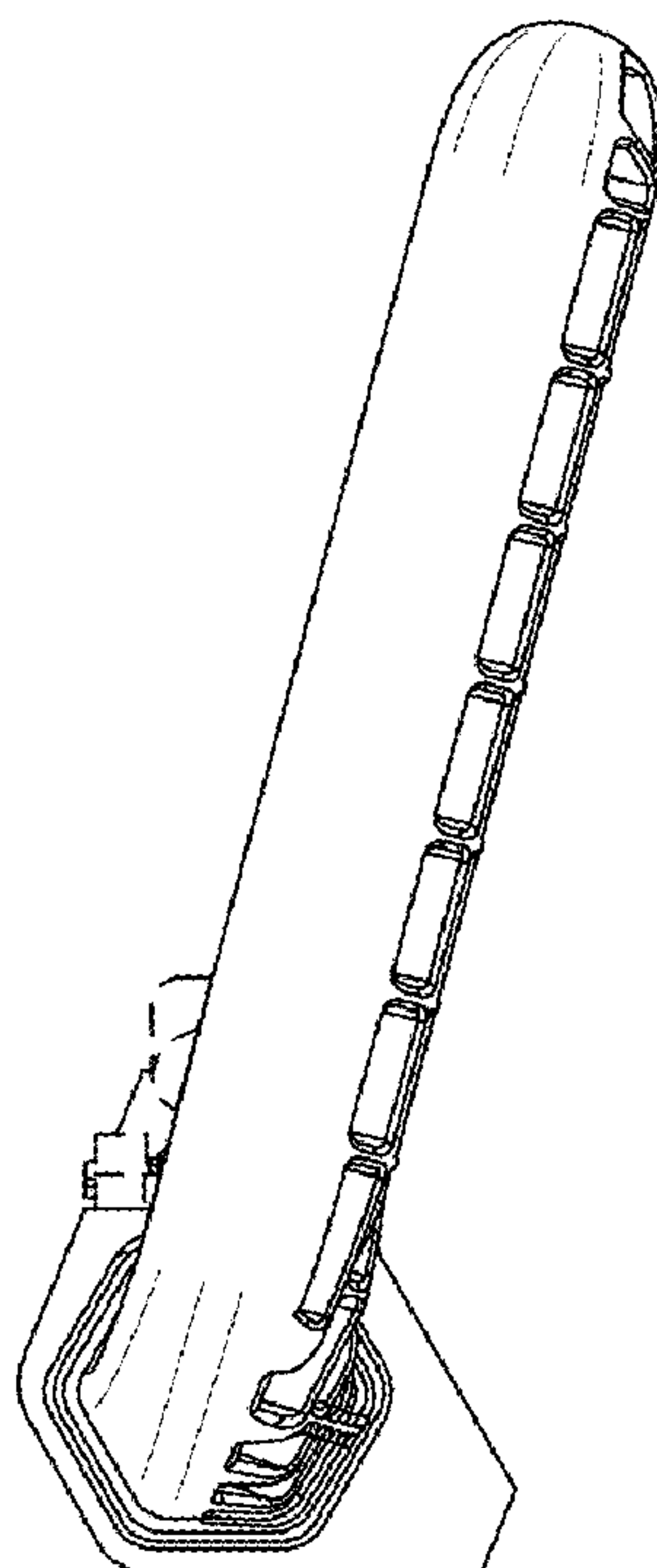
FIG. 6 is a front elevational view thereof.

FIG. 7 is an isometric view of one example suitcase with the handle assembly extended; and,

FIG. 8 is an isometric view of a second example suitcase with the handle assembly extended.

The broken lines are for the purpose of illustrating possible environment and form no part of the claimed design.

**1 Claim, 7 Drawing Sheets**



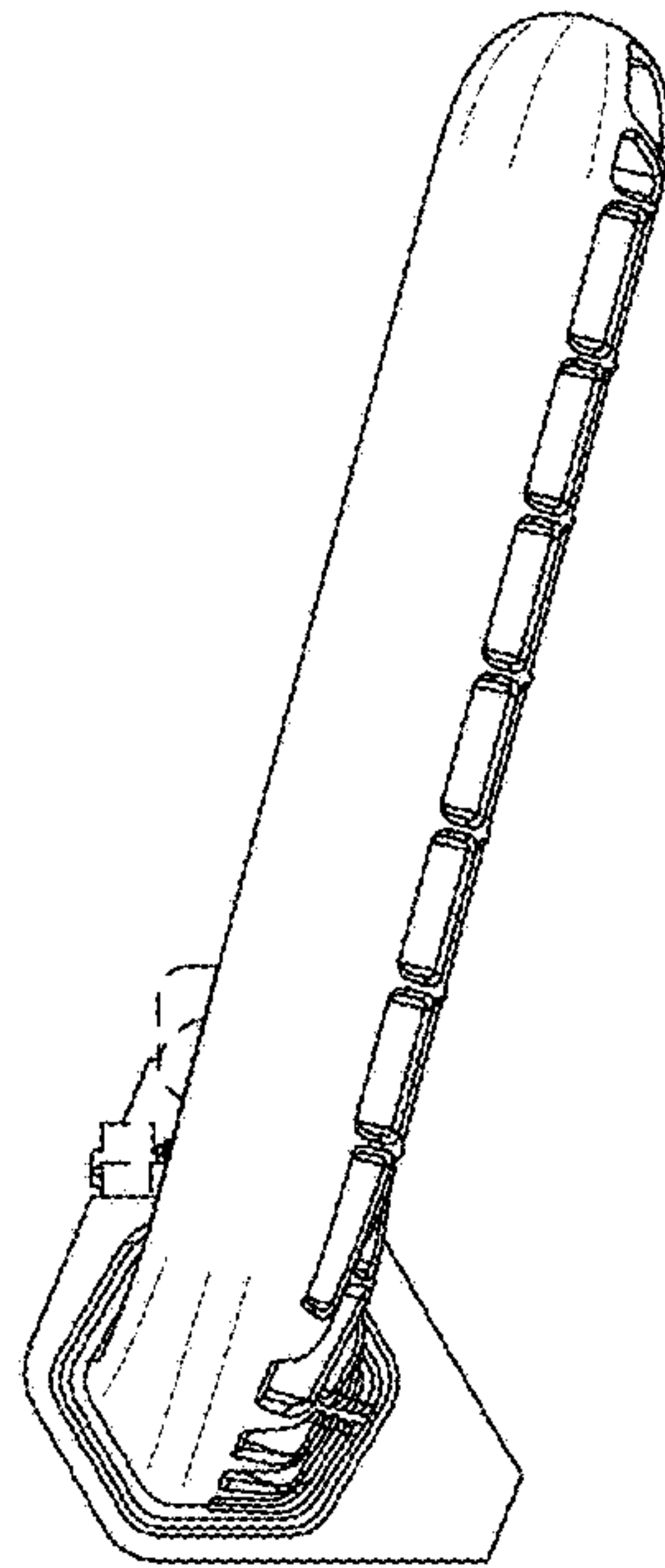


FIG. 1

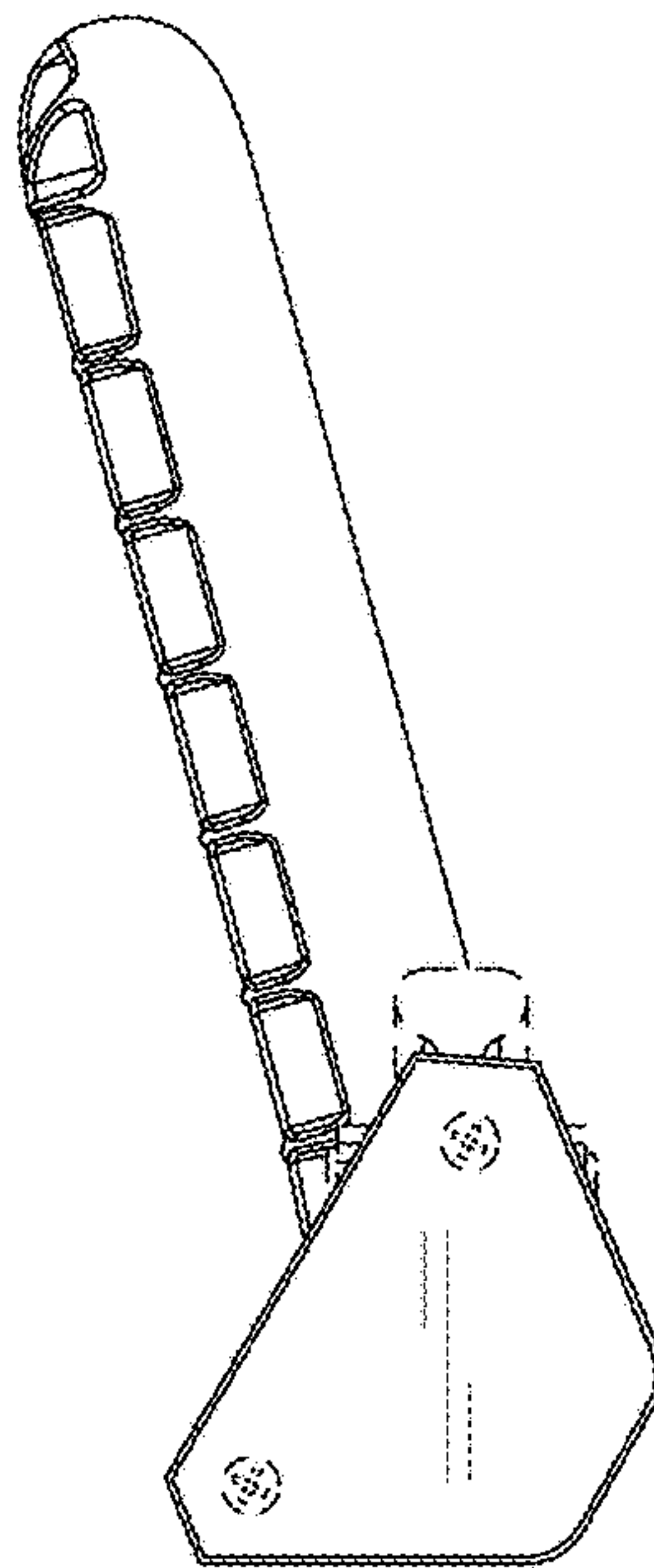


FIG. 2

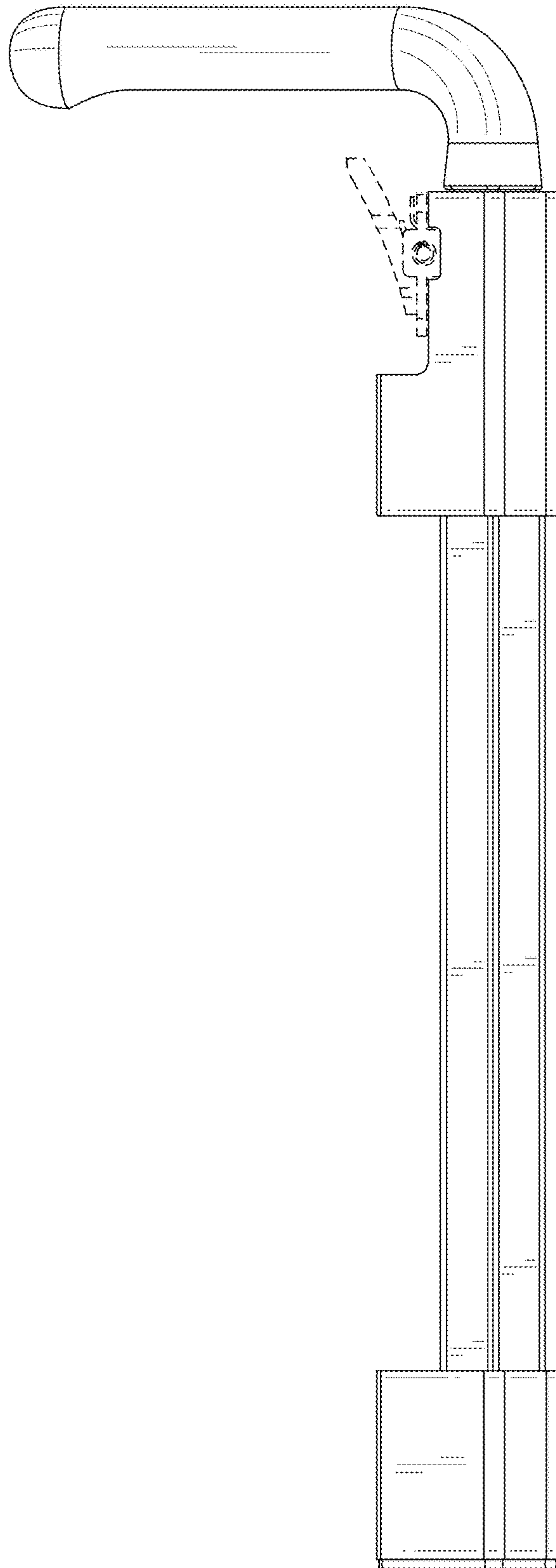


FIG. 3

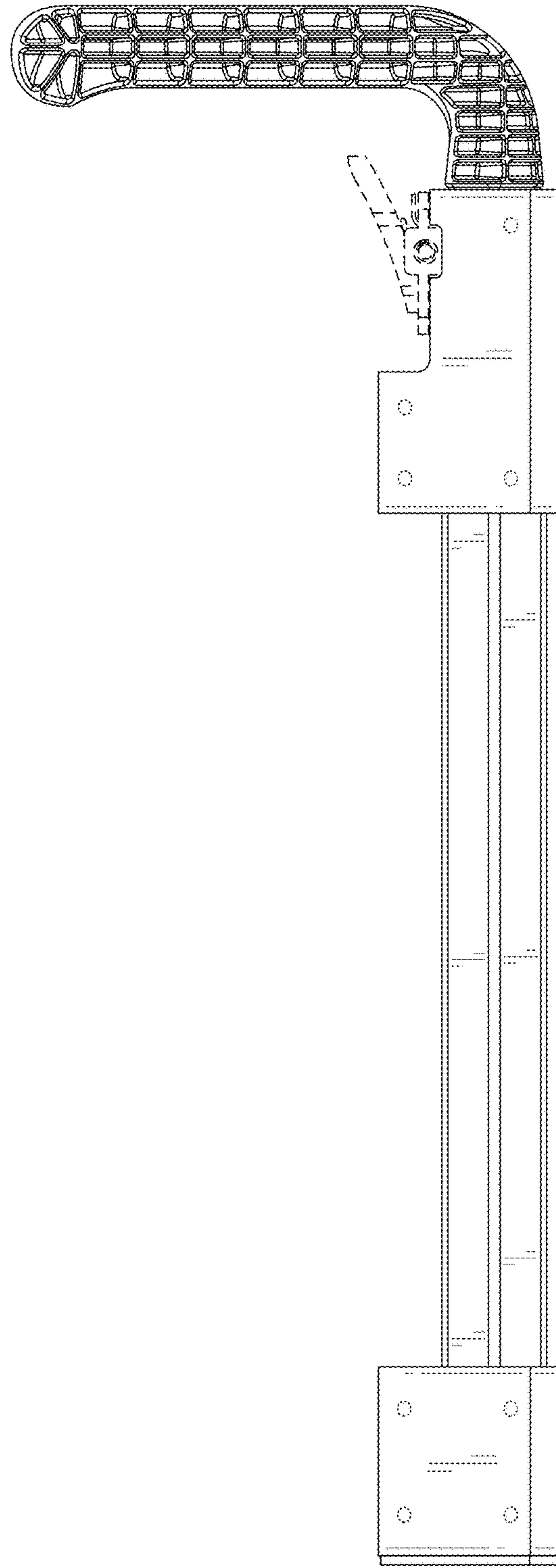


FIG. 4

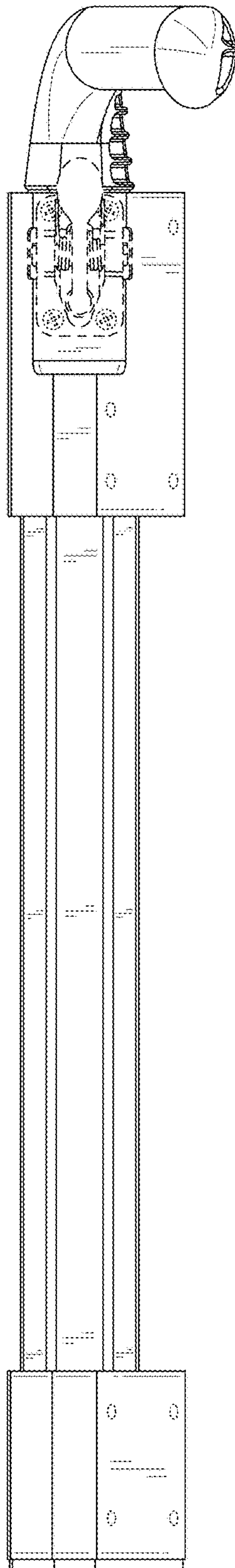


FIG. 5

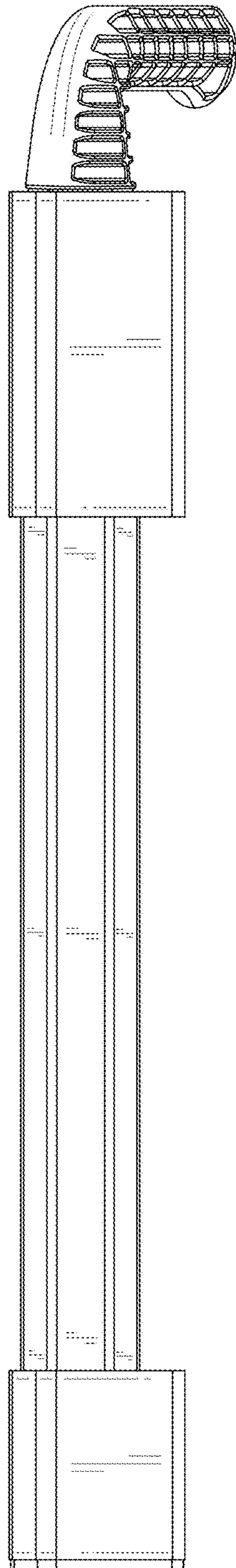


FIG. 6



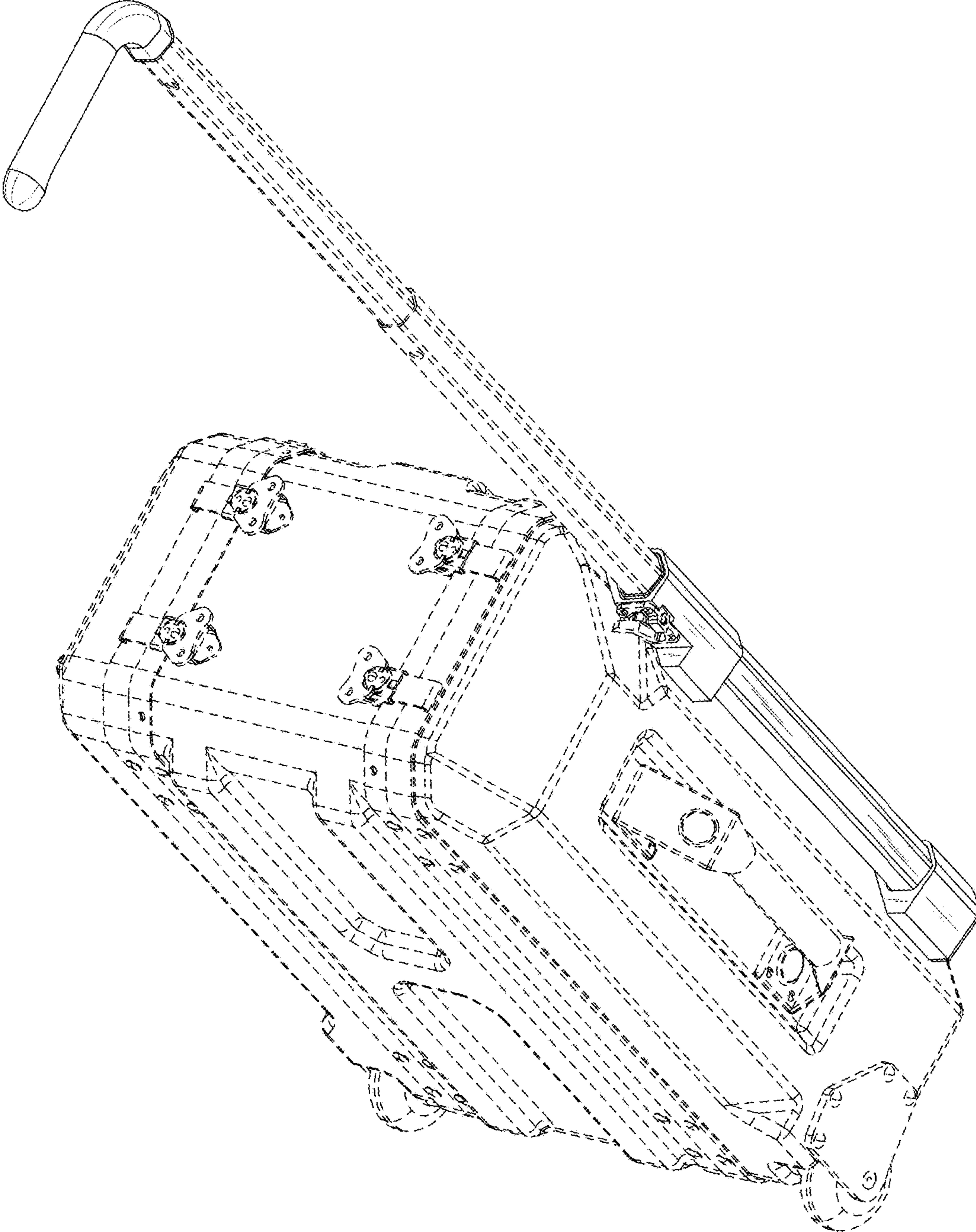


FIG. 7

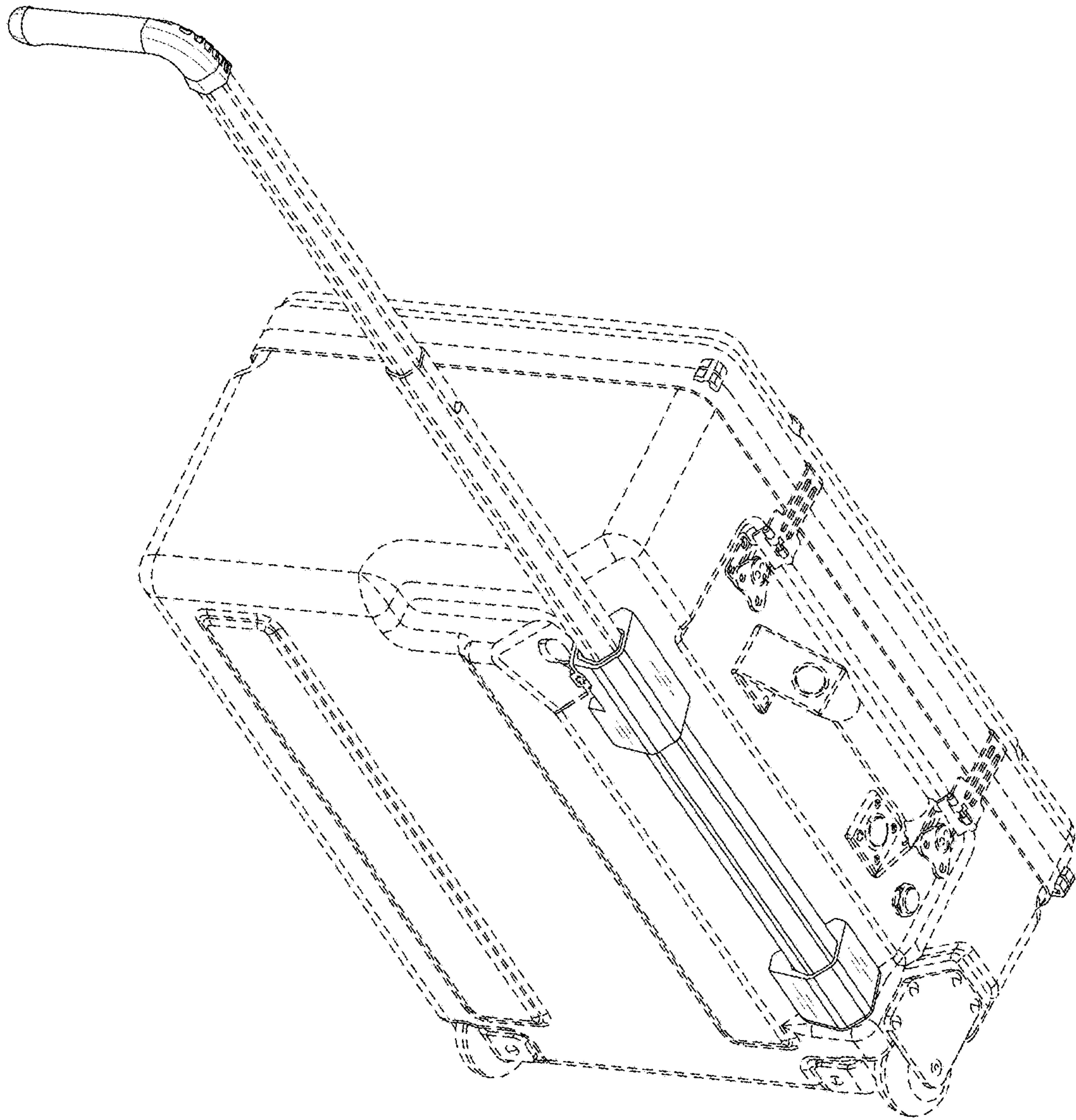


FIG. 8