



US00D864570S

(12) **United States Design Patent** (10) **Patent No.:** **US D864,570 S**  
**Colburn** (45) **Date of Patent:** **\*\* Oct. 29, 2019**

(54) **SIDE WALL OF A SHIPPING CONTAINER**

FOREIGN PATENT DOCUMENTS

(71) Applicant: **Greenbox International, LLC**,  
Midlothian, VA (US)

DE 921794 12/1954

(72) Inventor: **Eric Richard Colburn**, Wexford, PA  
(US)

OTHER PUBLICATIONS

Office Action in U.S. Appl. No. 14/178,462; dated Aug. 26, 2015;13  
pages.

(73) Assignee: **Greenbox International, LLC**,  
Midlothian, VA (US)

(Continued)

(\*\*) Term: **15 Years**

*Primary Examiner* — Kelley A Donnelly

(74) *Attorney, Agent, or Firm* — John H. Thomas, P.C.

(21) Appl. No.: **29/625,303**

(57) **CLAIM**

(22) Filed: **Nov. 8, 2017**

The ornamental design for a side wall of a shipping container, as shown and described.

**Related U.S. Application Data**

**DESCRIPTION**

(63) Continuation of application No. 29/550,431, filed on  
Jan. 4, 2016, now Pat. No. Des. 805,301.

(51) **LOC (12) Cl.** ..... **03-01**

(52) **U.S. Cl.**  
USPC ..... **D3/314**

(58) **Field of Classification Search**  
USPC ..... D3/272, 304–305, 307–309, 311–312,  
D3/314–315; D6/672, 675, 682, 683  
CPC ..... B65D 1/00; B65D 1/22; B65D 2285/00;  
B65D 2588/00

See application file for complete search history.

FIG. 1 is a perspective view of a side wall of a shipping container.

FIG. 2 is a front view of a side wall of a shipping container as shown in FIG. 1.

FIG. 3 is a back view of a side wall of a shipping container as shown in FIG. 1.

FIG. 4 is a top view of a side wall of a shipping container as shown in FIG. 1.

FIG. 5 is a bottom view of a side wall of a shipping container as shown in FIG. 1.

FIG. 6 is a side view of a side wall of a shipping container as shown in FIG. 1.

FIG. 7 is an opposite side view of a side wall of a shipping container as shown in FIG. 1; and,

FIG. 8 is side cross-section view of a side wall of a shipping container as shown in FIG. 1 taken along lines 8-8 in FIG. 2.

Throughout FIGS. 1-8, the broken lines denote environment and aspects of a side wall of a shipping container and formative components that form no part of the claimed design.

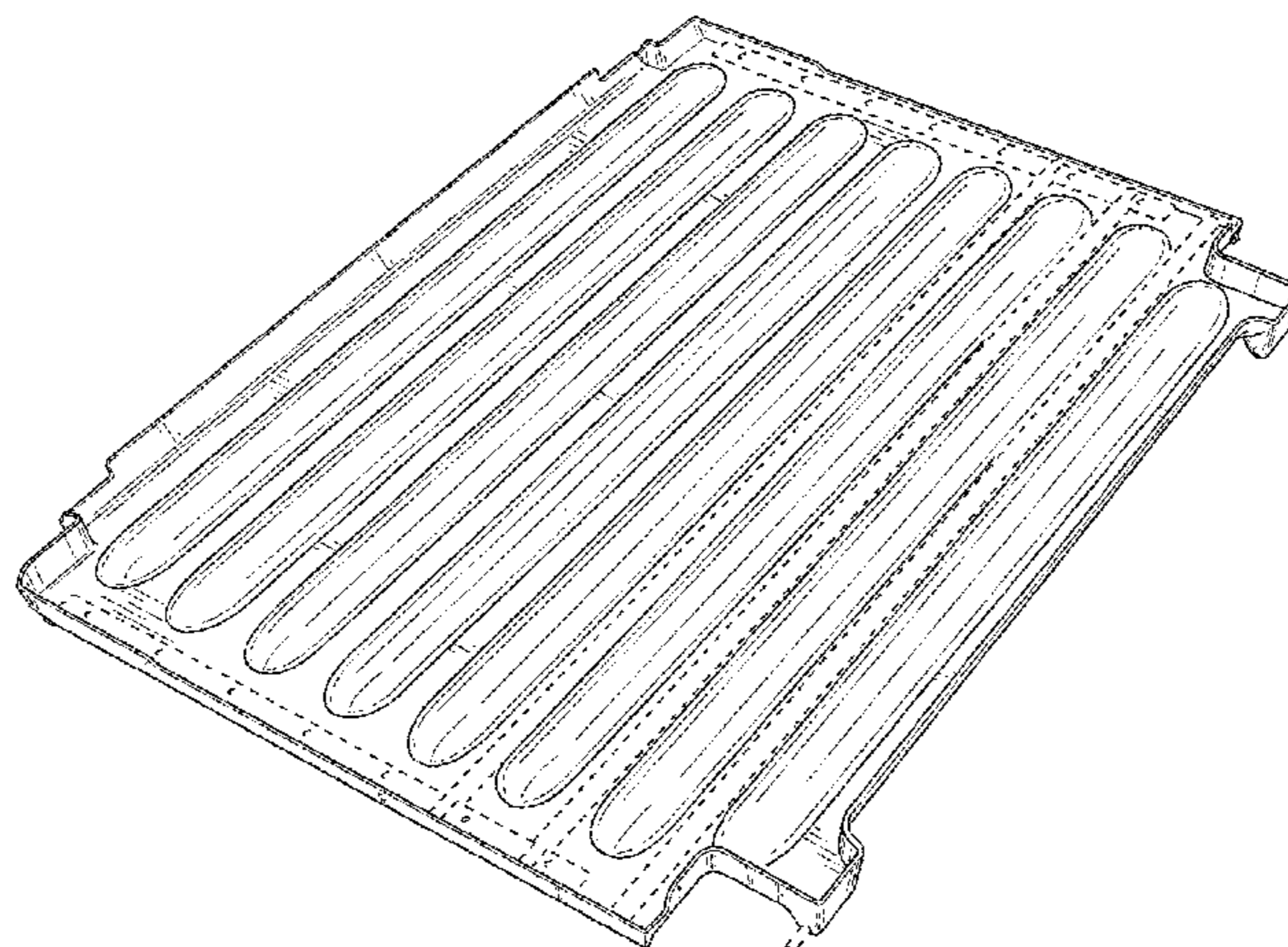
(56) **References Cited**

U.S. PATENT DOCUMENTS

2,660,271 A 11/1953 Hupp  
D260,568 S 9/1981 Cherry  
D281,099 S \* 10/1985 Kosinski ..... D23/314  
4,591,065 A 5/1986 Foy  
4,674,647 A 6/1987 Gyenge et al.  
D309,971 S 8/1990 Quong  
D358,484 S \* 5/1995 Cautereels ..... D3/310  
5,632,392 A 5/1997 Oh  
5,868,269 A 2/1999 Juarez

(Continued)

**1 Claim, 8 Drawing Sheets**



(56)

References Cited

U.S. PATENT DOCUMENTS

D446,939 S 8/2001 Koefeld  
 6,415,938 B1 7/2002 Karpisek  
 D475,854 S 6/2003 Caponey  
 D483,946 S 12/2003 Koefeld  
 6,726,046 B2 4/2004 Orset  
 7,093,731 B2 8/2006 Karpisek  
 D539,998 S 4/2007 Andrade  
 D540,541 S 4/2007 Liukko  
 D554,371 S \* 11/2007 Åhman ..... D3/304  
 D556,971 S 12/2007 Hatamian et al.  
 D600,917 S 9/2009 Meter  
 D652,956 S \* 1/2012 Tanaka ..... D25/138  
 D663,525 S \* 7/2012 Rhoades ..... D3/314  
 D698,190 S \* 1/2014 Grimshaw ..... D6/680  
 D728,887 S 5/2015 Kemen et al.  
 D729,403 S 5/2015 Hage et al.  
 D777,950 S \* 1/2017 Bilge ..... D25/138  
 D778,465 S \* 2/2017 Zombek ..... D25/141  
 D833,103 S \* 11/2018 Beavis ..... D34/19  
 D834,315 S \* 11/2018 Reinhart ..... D3/312

D843,018 S \* 3/2019 Power ..... D25/138  
 D848,188 S \* 5/2019 Holm ..... D6/683  
 D849,271 S \* 5/2019 Power ..... D25/138  
 2003/0075541 A1 4/2003 Bartasevich, Jr. et al.  
 2004/0089657 A1 5/2004 Waszak  
 2004/0222222 A1 11/2004 Parnall et al.  
 2006/0113302 A1 6/2006 Mandava et al.  
 2008/0169285 A1 7/2008 Marazita et al.  
 2010/0147727 A1 6/2010 Valdimarsson et al.  
 2012/0061386 A1 3/2012 Parsons

OTHER PUBLICATIONS

Office Action in U.S. Appl. No. 14/178,462; dated Mar. 4, 2015; 13 pages.  
 English Translation for DE 921794; 5 pages.  
 Office Action in U.S. Appl. No. 29/550,431; dated Jun. 1, 2017; 4 pages.  
 Office Action in U.S. Appl. No. 29/550,431; dated Aug. 9, 2017; 10 pages.

\* cited by examiner

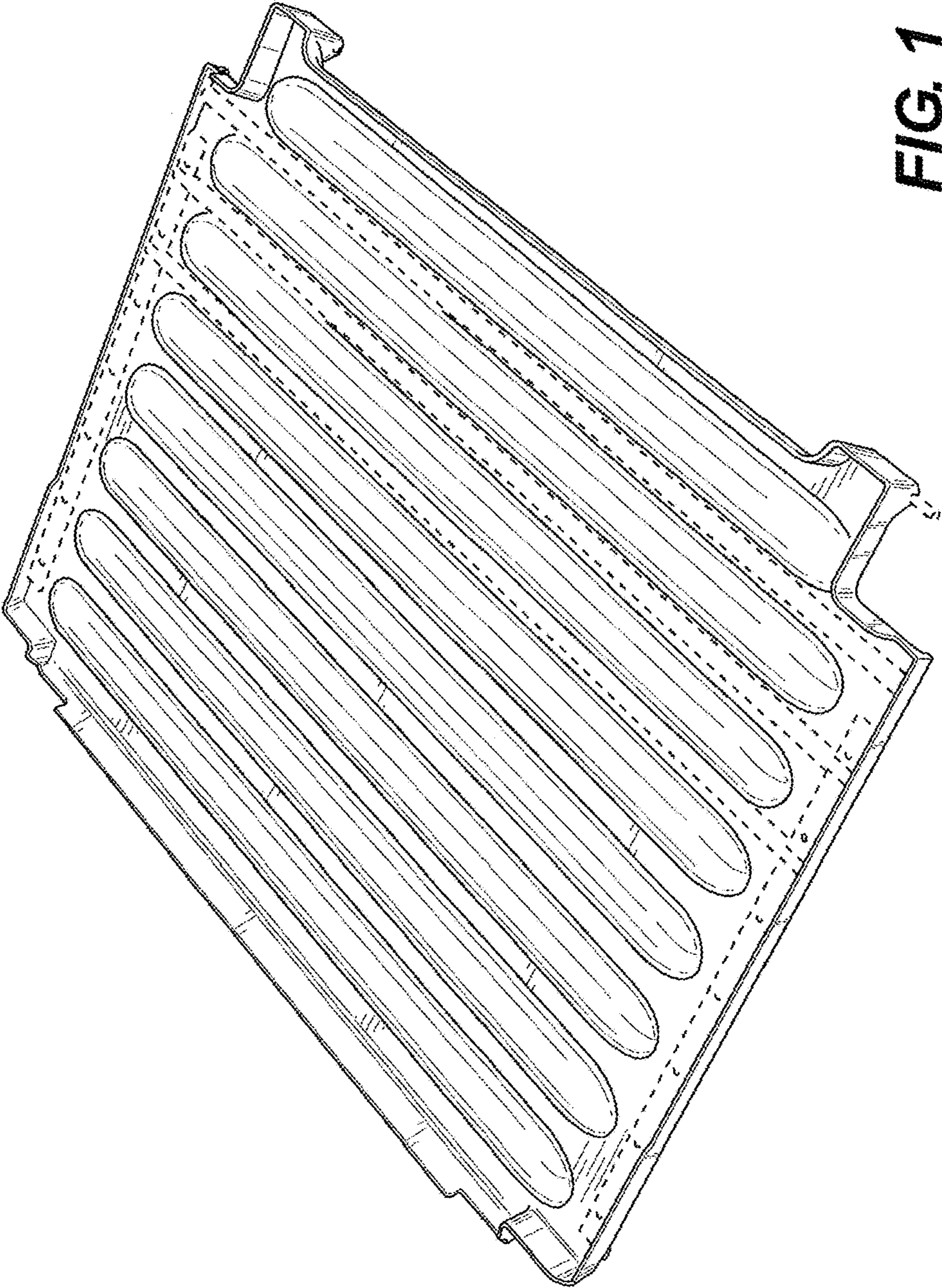


FIG. 1

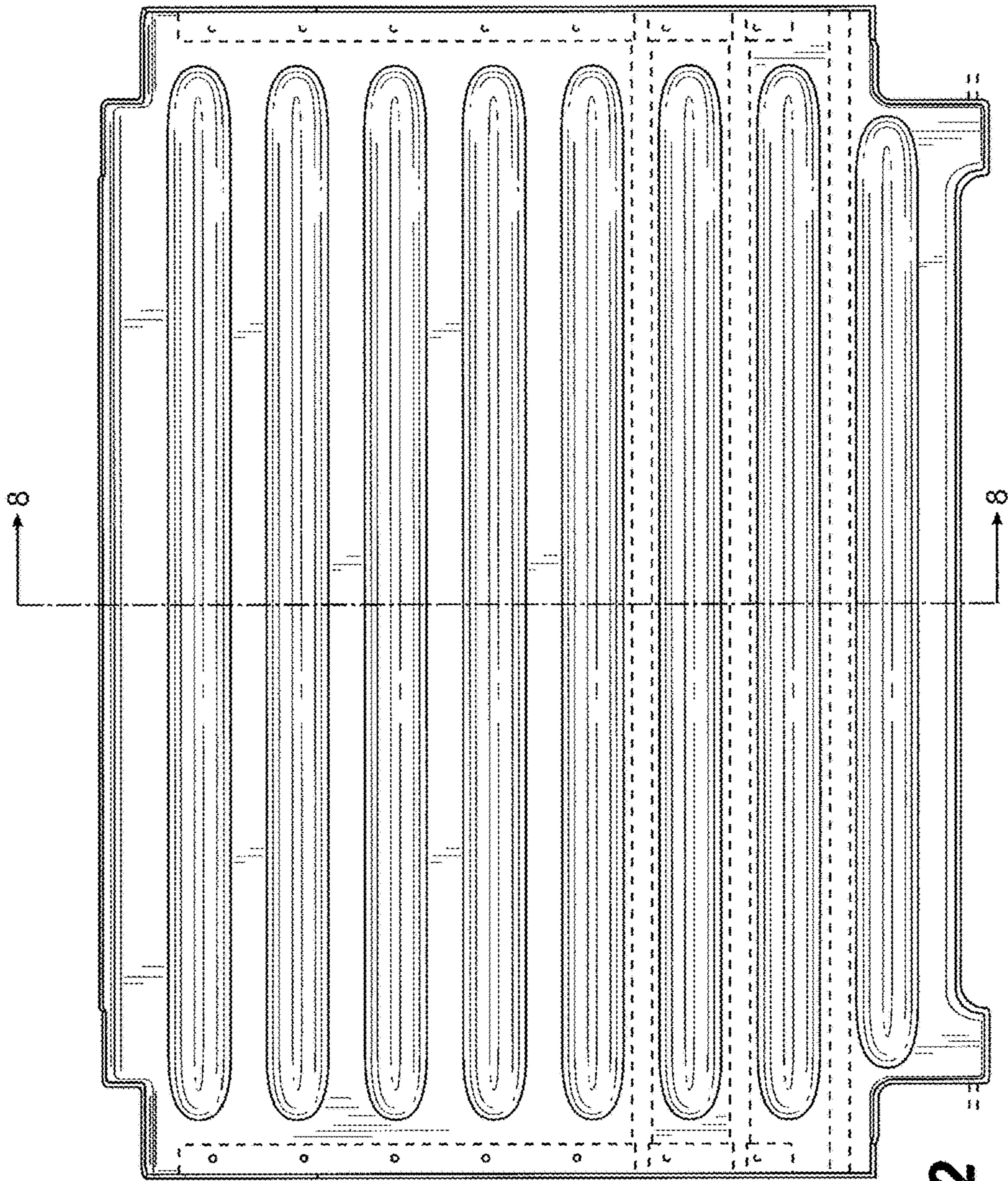
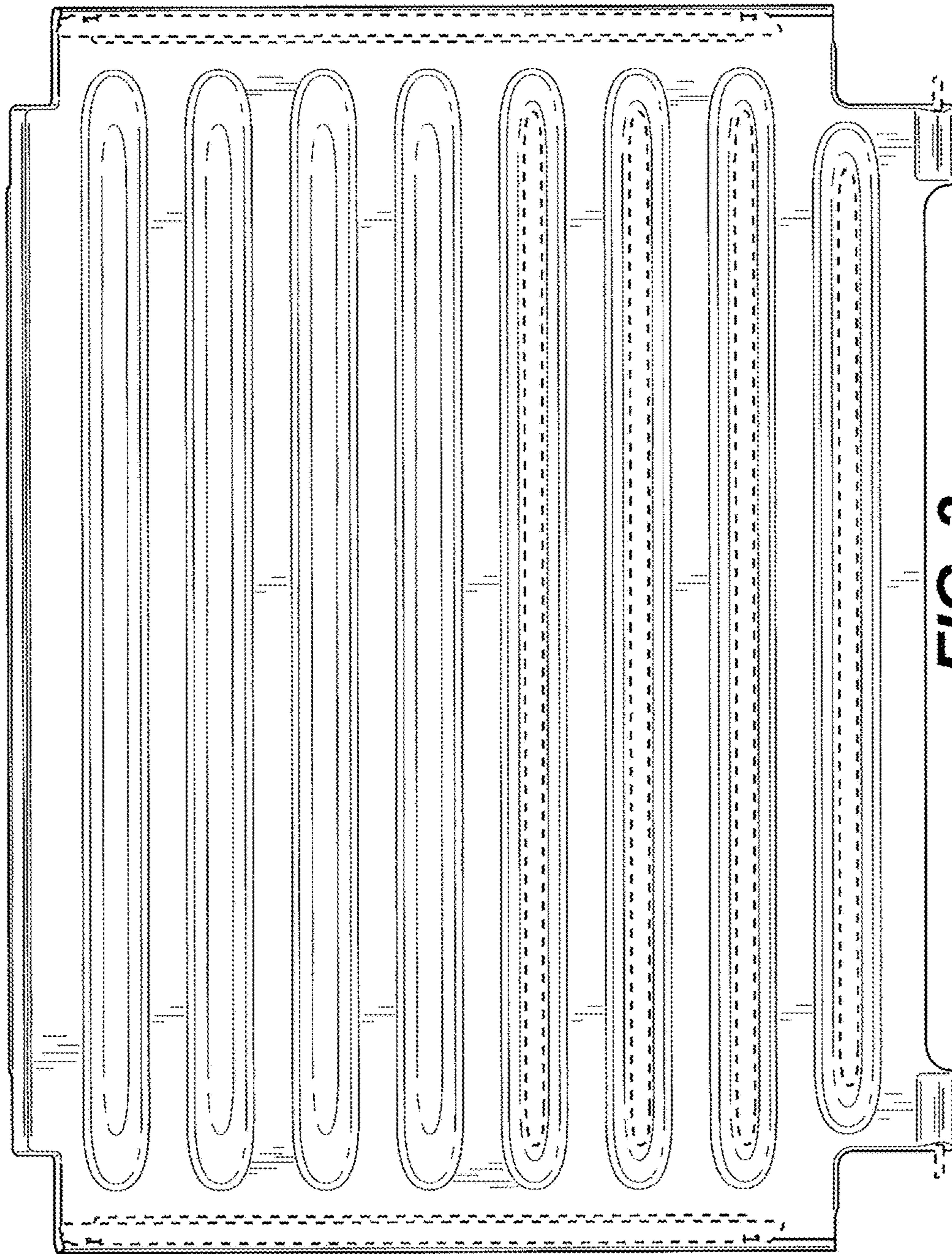


FIG. 2



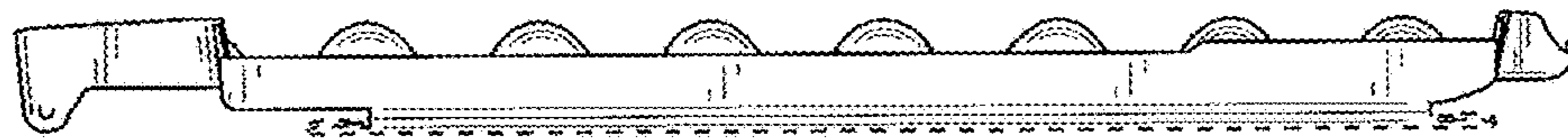
**FIG. 3**



**FIG. 4**

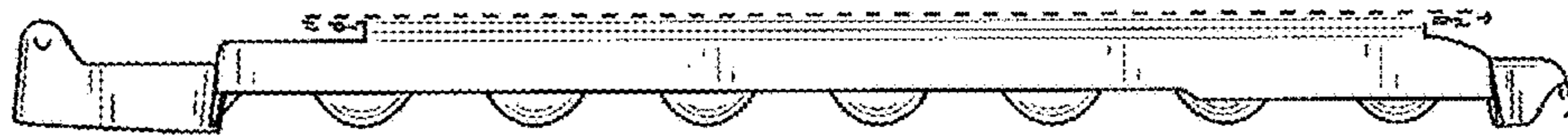


**FIG. 5**



**FIG. 6**





**FIG. 7**

FIG. 8

