

US00D864569S

(12) **United States Design Patent**  
**Hsieh**

(10) **Patent No.:** **US D864,569 S**

(45) **Date of Patent:** **\*\* Oct. 29, 2019**

(54) **DETACHABLE STORAGE AND DISPLAY BOX**

(71) Applicant: **Pi Hsieh**, New Taipei (TW)

(72) Inventor: **Pi Hsieh**, New Taipei (TW)

(\*\*) Term: **15 Years**

(21) Appl. No.: **29/629,564**

(22) Filed: **Dec. 14, 2017**

(51) **LOC (12) Cl.** ..... **03-01**

(52) **U.S. Cl.**  
USPC ..... **D3/302**

(58) **Field of Classification Search**  
USPC ..... D3/272, 273, 274, 276-284, 291, 294,  
D3/295, 298, 302, 304, 307-309, 315,  
D3/314, 310, 312, 901, 903, 905;  
D9/414

CPC .. A45C 5/00; A45C 5/04; A45C 11/00; A45C  
11/16; B62B 2206/006; B65D 1/02;  
B65D 1/22; B65D 2543/00194; B65D  
21/0209; B65D 2543/00296

See application file for complete search history.

(56) **References Cited**

**U.S. PATENT DOCUMENTS**

D240,205 S \* 6/1976 Visser et al. .... D3/302  
D383,606 S \* 9/1997 Bourbonnais ..... D3/273  
D439,048 S \* 3/2001 Sanderson ..... D3/272

D490,277 S \* 5/2004 Kim ..... D3/302  
D527,901 S \* 9/2006 Selsted ..... D3/302  
D580,169 S \* 11/2008 Gibson ..... D3/272  
D677,054 S \* 3/2013 Chen ..... D3/302  
D690,936 S \* 10/2013 Jerome ..... D3/302  
D740,026 S \* 10/2015 Yamamoto ..... D3/297  
D745,384 S \* 12/2015 Park ..... D9/414  
D746,599 S \* 1/2016 Olson ..... D6/300  
D781,772 S \* 3/2017 Sanz ..... D12/345  
D798,599 S \* 10/2017 Carberry ..... D3/302  
D799,149 S \* 10/2017 Chafetz ..... D99/28

\* cited by examiner

*Primary Examiner* — Holly E Thurman

(74) *Attorney, Agent, or Firm* — Lin & Associates  
Intellectual Property, Inc.

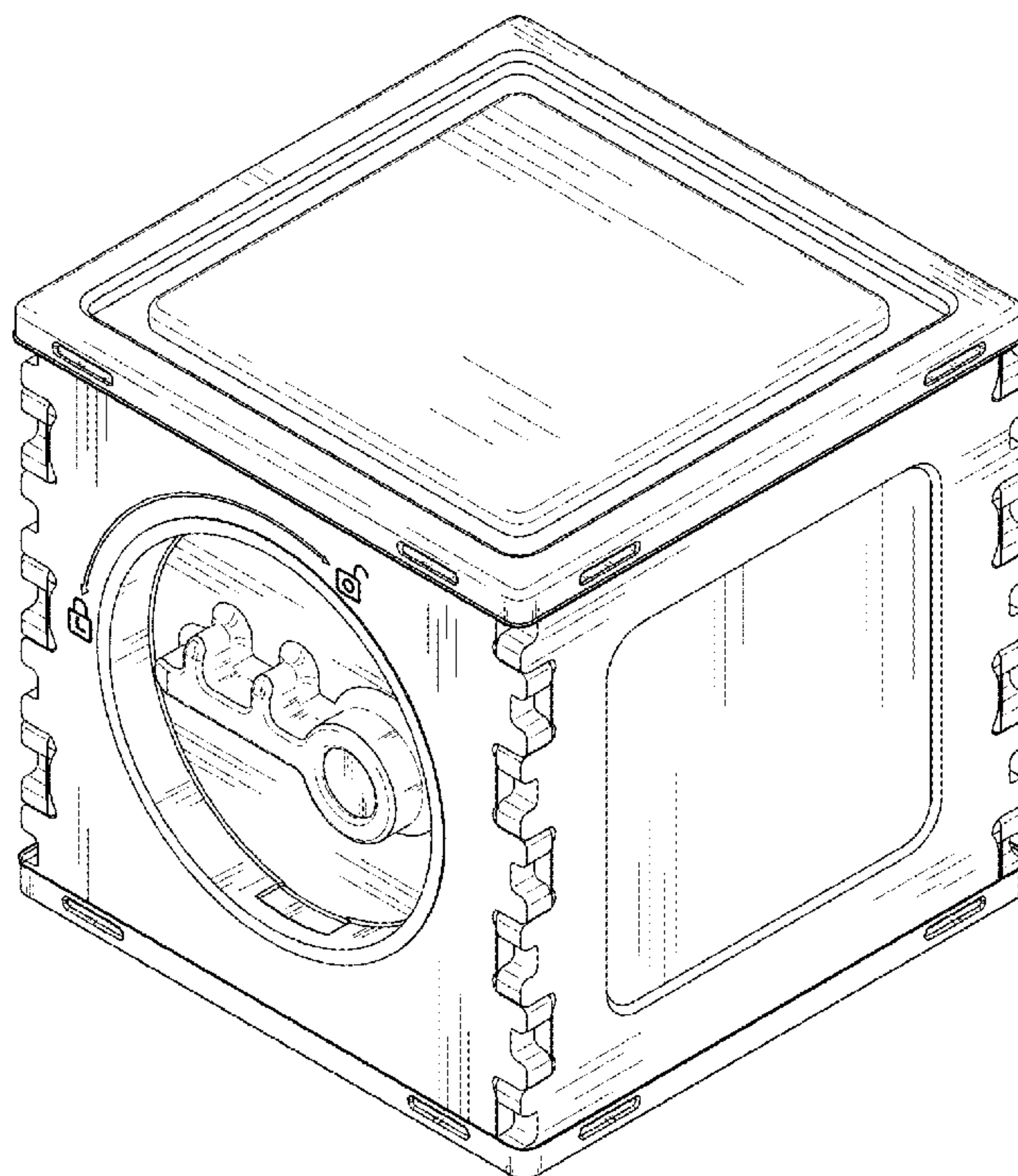
(57) **CLAIM**

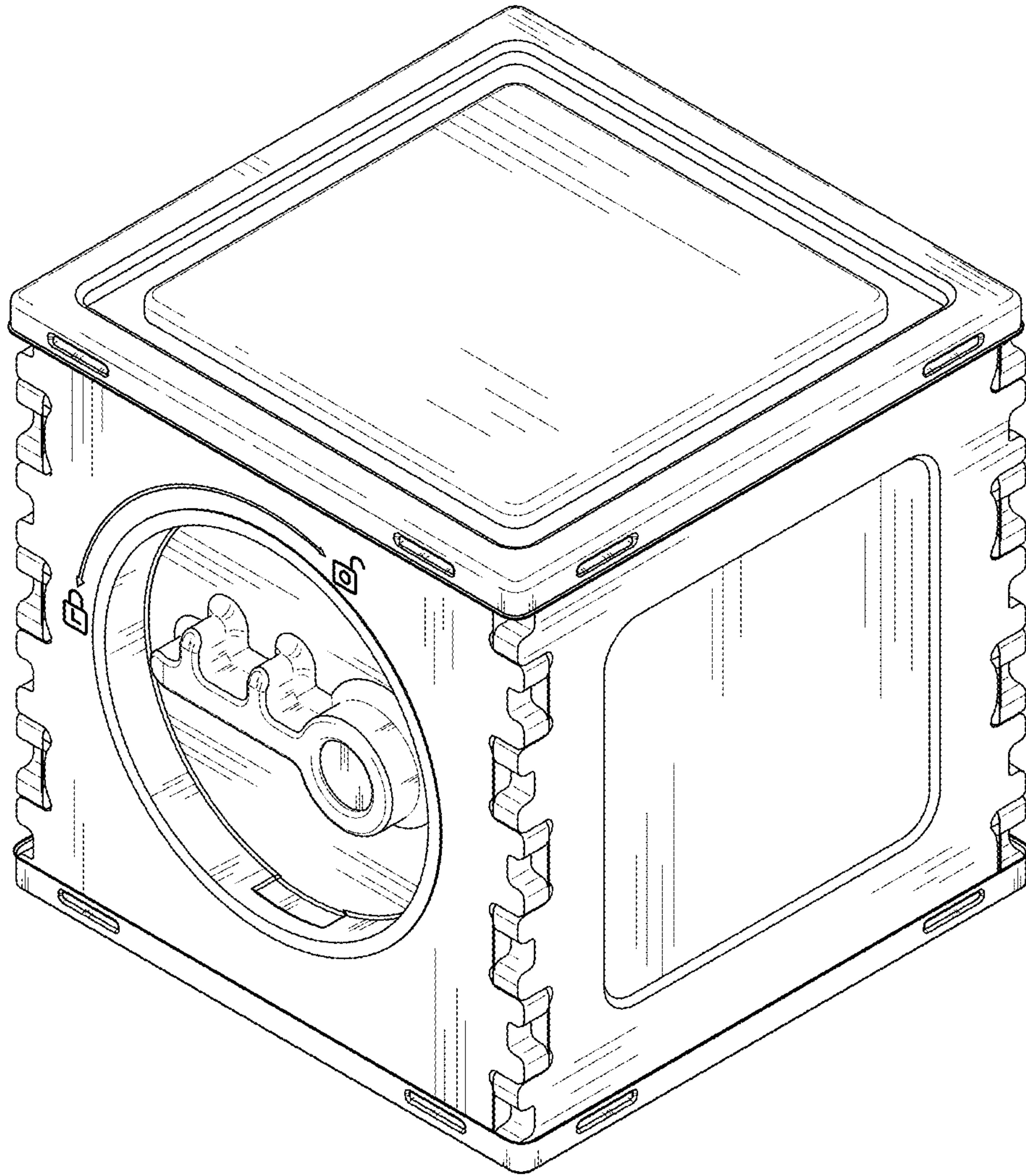
The ornamental design for a detachable storage and display box, as shown and described.

**DESCRIPTION**

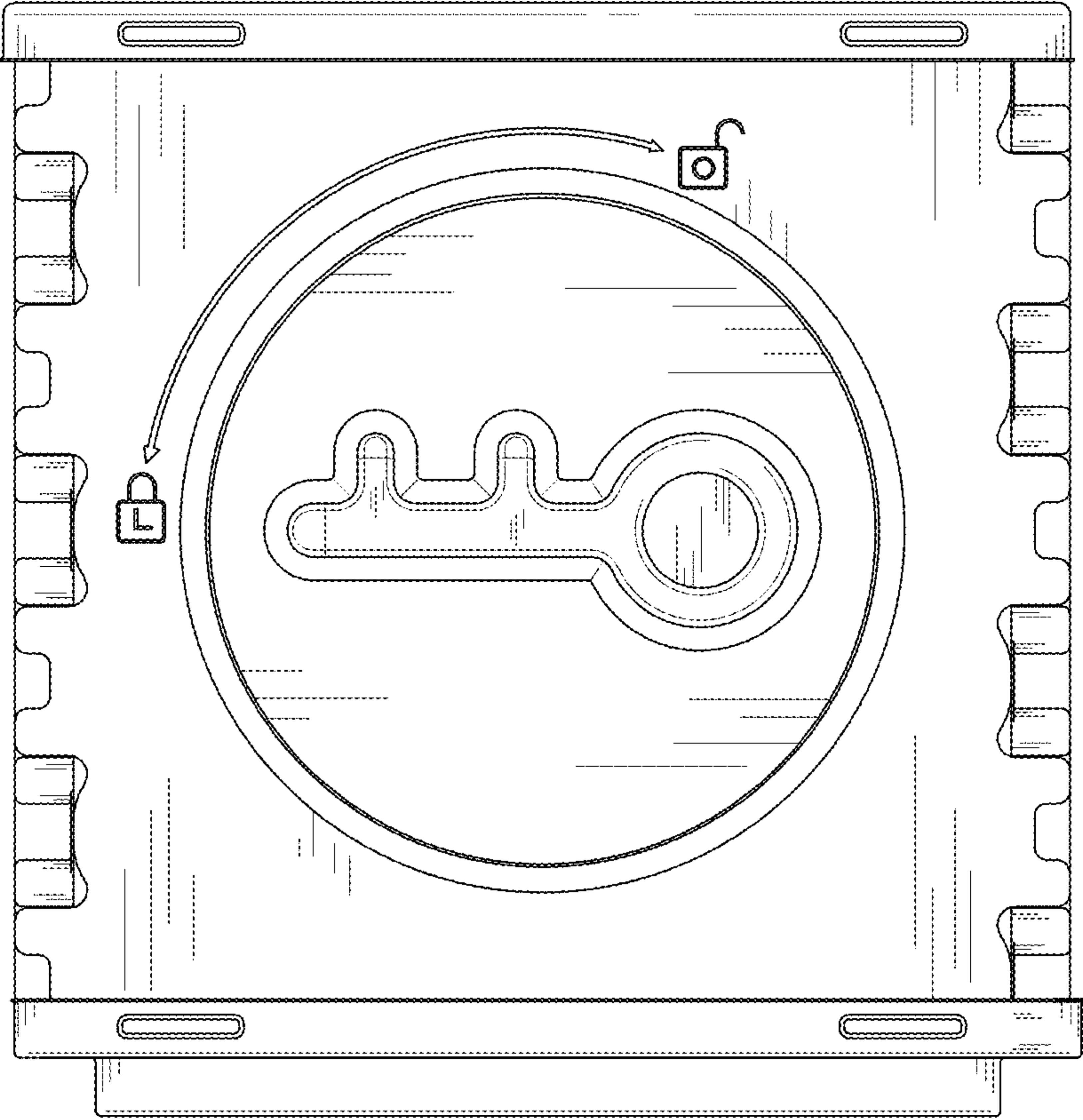
FIG. 1 is a perspective view of a detachable storage and display box showing my new design;  
FIG. 2 is a front elevational view thereof;  
FIG. 3 is a rear elevational view thereof;  
FIG. 4 is a left elevational view thereof;  
FIG. 5 is a right elevational view thereof;  
FIG. 6 is a top view thereof; and,  
FIG. 7 is a bottom view thereof.

**1 Claim, 7 Drawing Sheets**

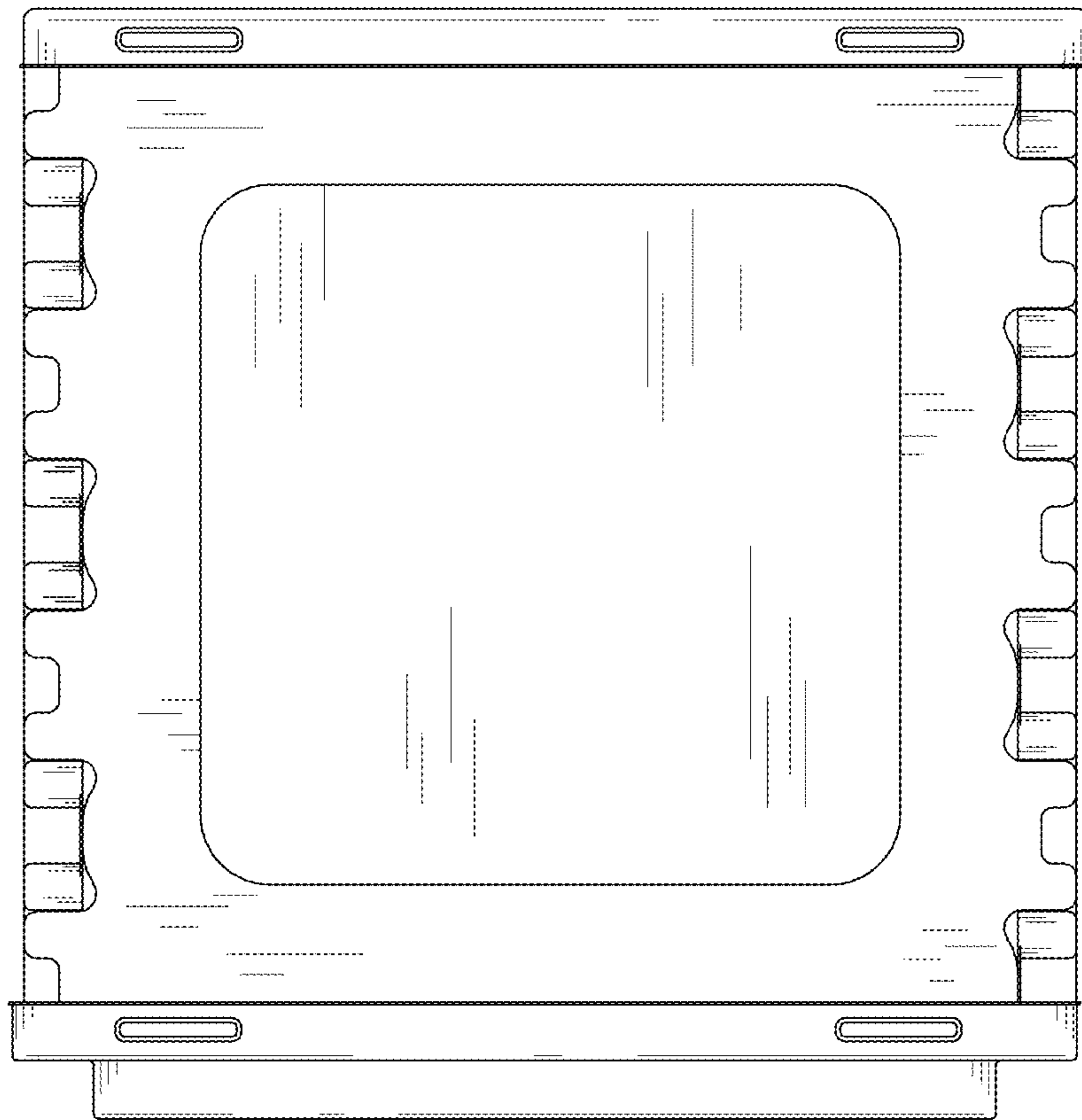




**FIG. 1**

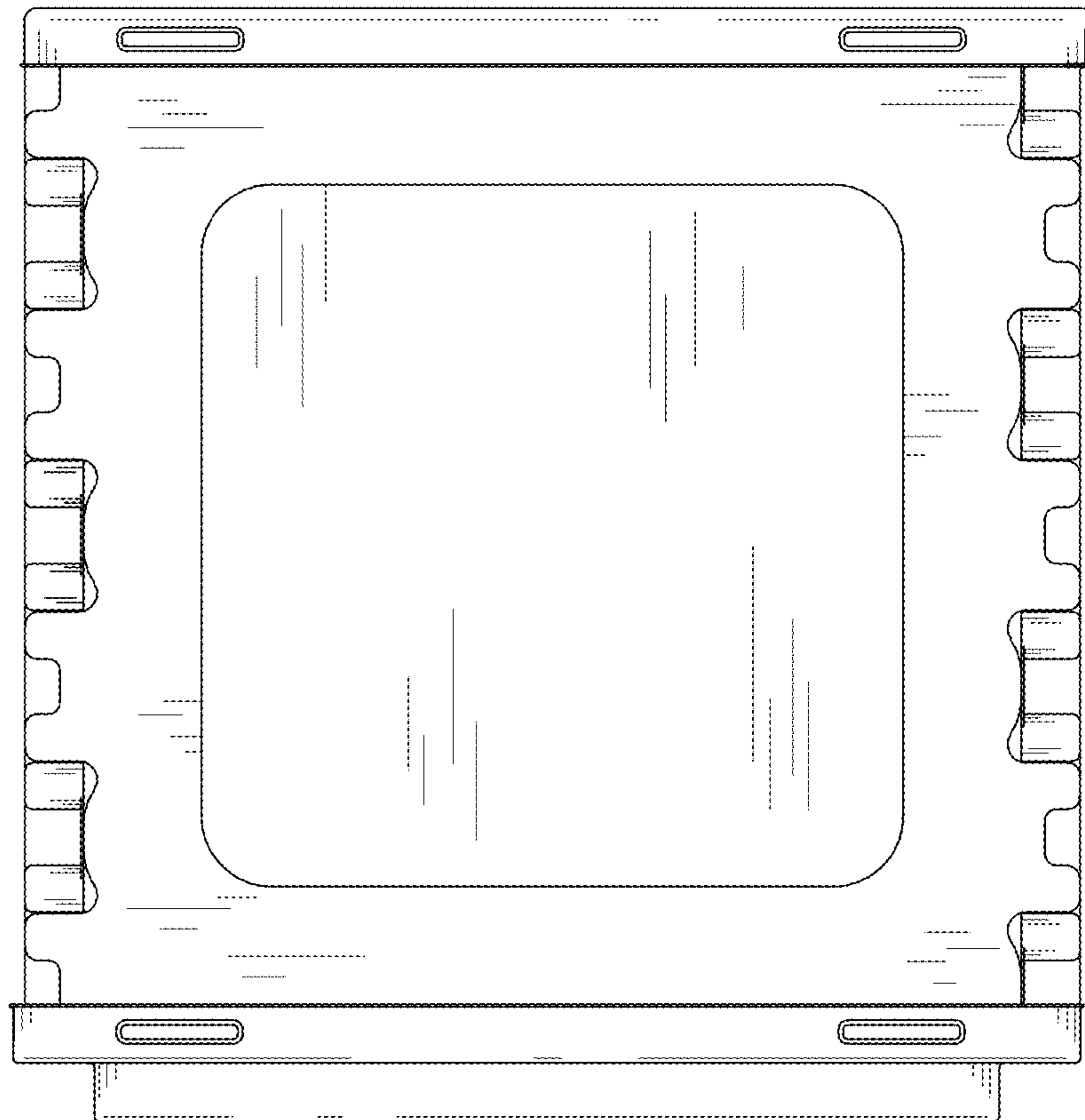


**FIG. 2**

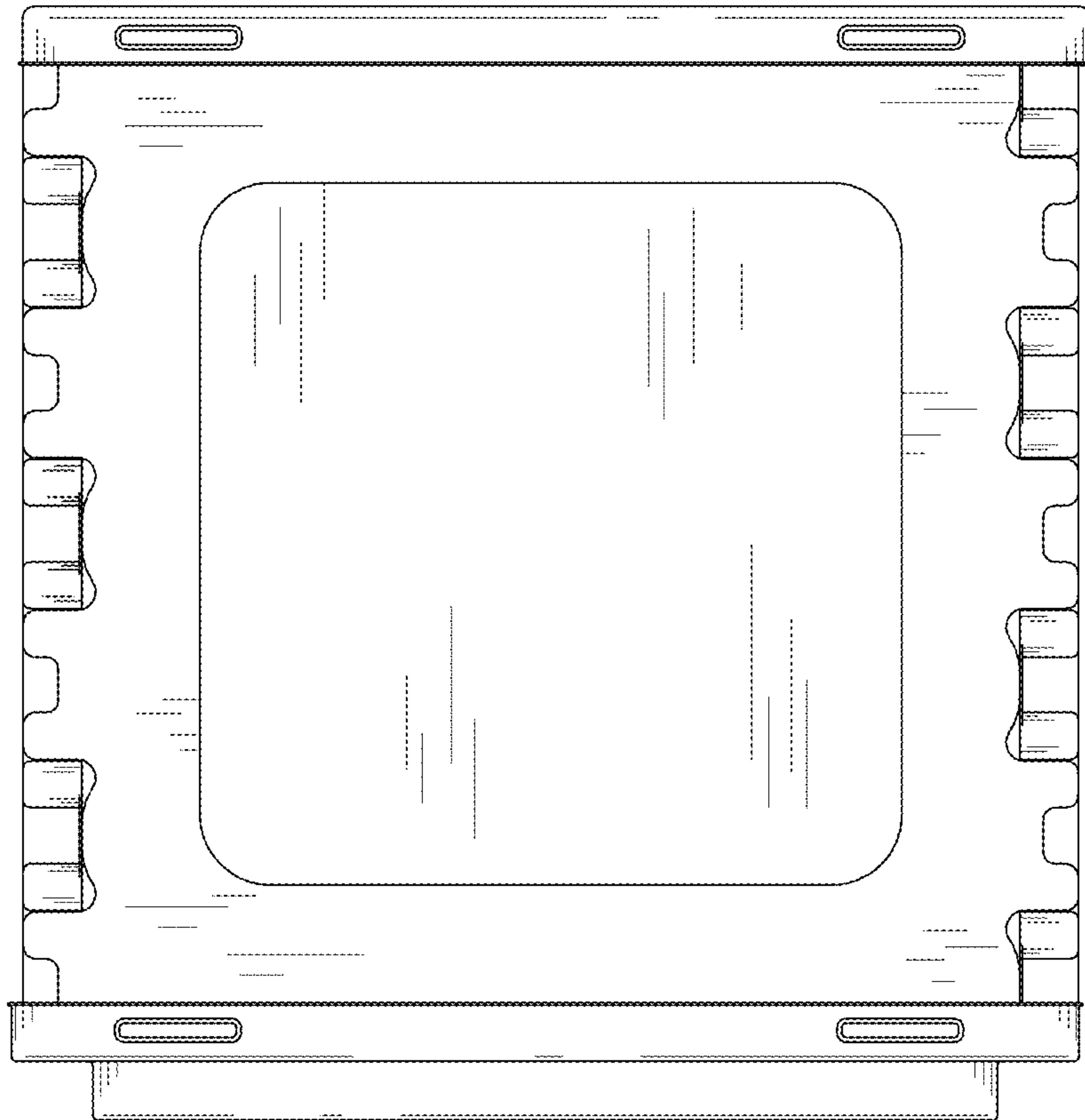


**FIG. 3**

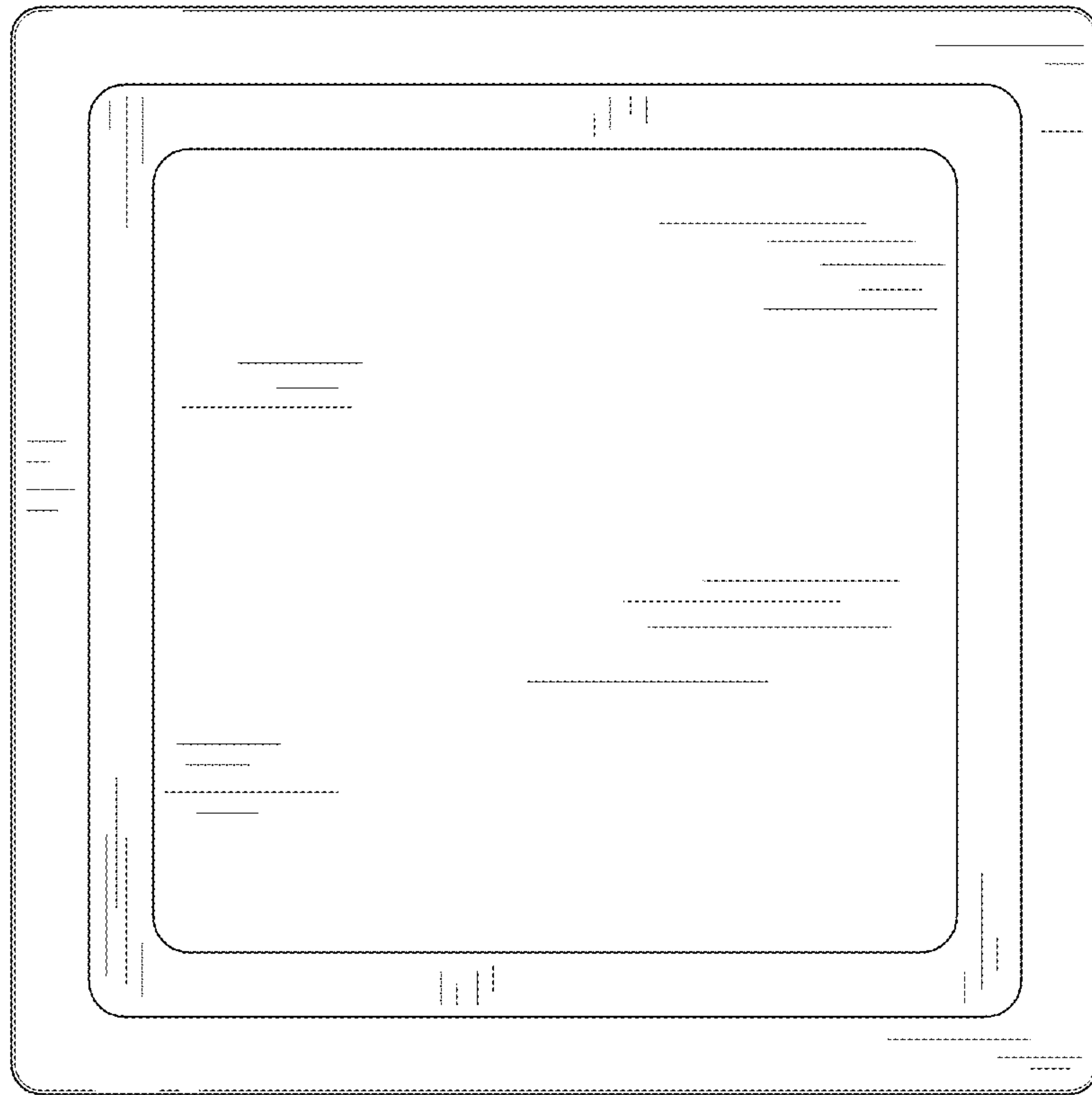




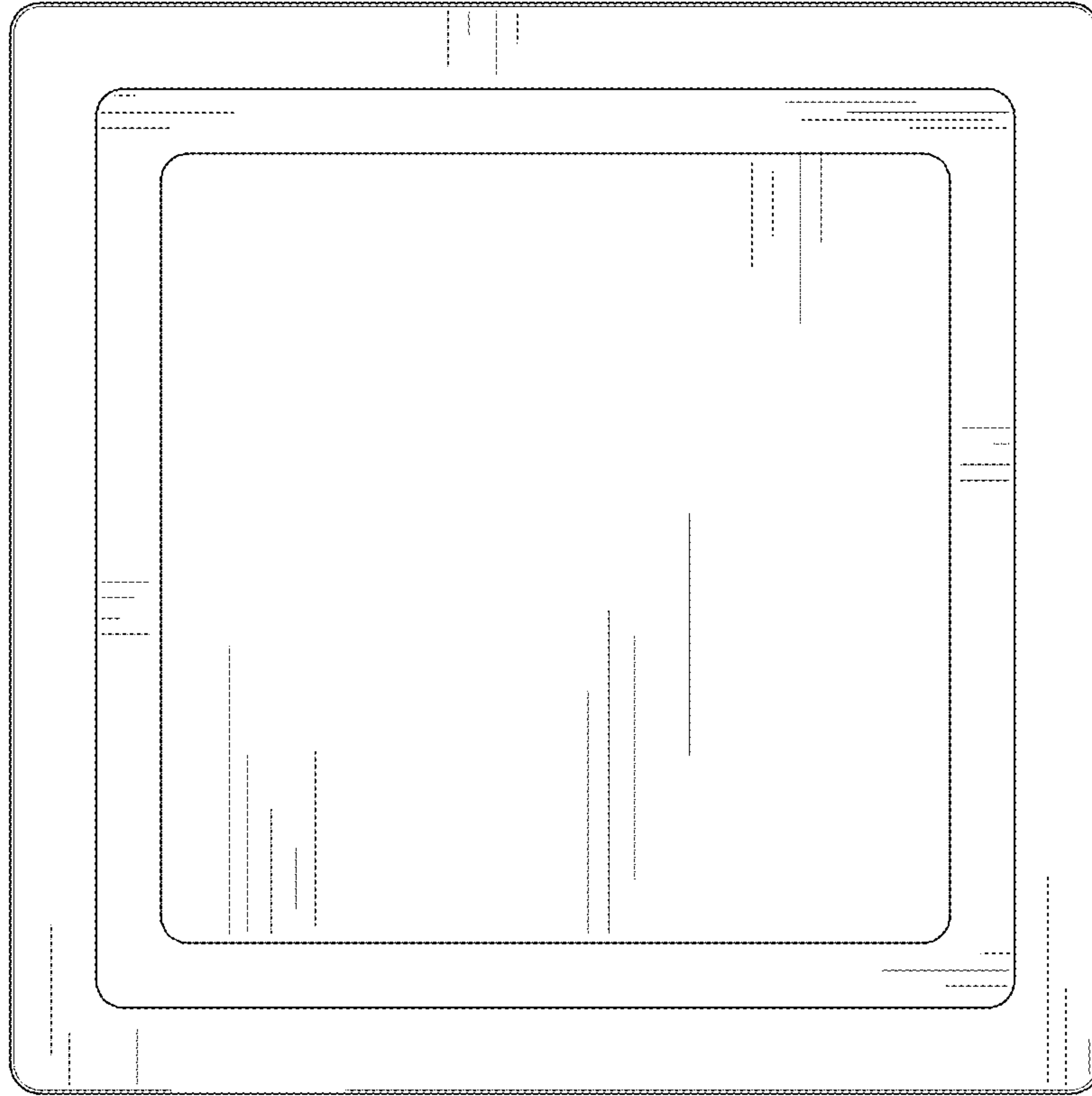
**FIG. 4**



**FIG. 5**



**FIG. 6**



**FIG. 7**