



US00D864568S

(12) **United States Design Patent**
Roberts

(10) **Patent No.:** **US D864,568 S**
(45) **Date of Patent:** **** Oct. 29, 2019**

(54) **GIFT BOX**

(71) Applicant: **James Christopher Roberts**, St Martin (GB)

(72) Inventor: **James Christopher Roberts**, St Martin (GB)

(73) Assignee: **Flashbay Electronics Hong Kong Limited**, Hong Kong (HK)

(**) Term: **15 Years**

(21) Appl. No.: **29/635,605**

(22) Filed: **Feb. 1, 2018**

(51) **LOC (12) Cl.** **03-01**

(52) **U.S. Cl.**
USPC **D3/294**

(58) **Field of Classification Search**
USPC D9/414-423, 424-429, 430-432, 433,
D9/434, 456, 457, 711, 713, 721-722;
D3/273, 294-297
CPC ... B65D 5/00; B65D 5/02; B65D 5/18; B65D
5/20

See application file for complete search history.

(56) **References Cited**

U.S. PATENT DOCUMENTS

D387,982 S * 12/1997 Kaplan D9/418
D414,692 S * 10/1999 Srinual D9/423

D469,607 S * 2/2003 Wolff D3/294
D579,659 S * 11/2008 Burkhard D3/294
D663,524 S * 7/2012 Penttinen D3/273
D672,554 S * 12/2012 Penttinen D3/273
D686,065 S * 7/2013 Kuo D9/432
D741,703 S * 10/2015 Janson D9/424
D778,156 S * 2/2017 Follett D9/432
D790,335 S * 6/2017 Honings D9/424
D802,414 S * 11/2017 Delle Cese D9/419
D803,681 S * 11/2017 Yang D9/432
2014/0346168 A1 * 11/2014 Wang B65D 21/0213
220/23.83

* cited by examiner

Primary Examiner — Vy N Koenig

(57) **CLAIM**

The ornamental design for a gift box, as shown and described.

DESCRIPTION

FIG. 1 is a front view of the gift box, showing my design.
FIG. 2 is a right view thereof, the left view being a mirror image of the right view.
FIG. 3 is a rear view thereof.
FIG. 4 is a top view thereof.
FIG. 5 is a bottom view thereof.
FIG. 6 is a top front right perspective thereof; and,
FIG. 7 is a top front right perspective thereof with the box open.

1 Claim, 2 Drawing Sheets

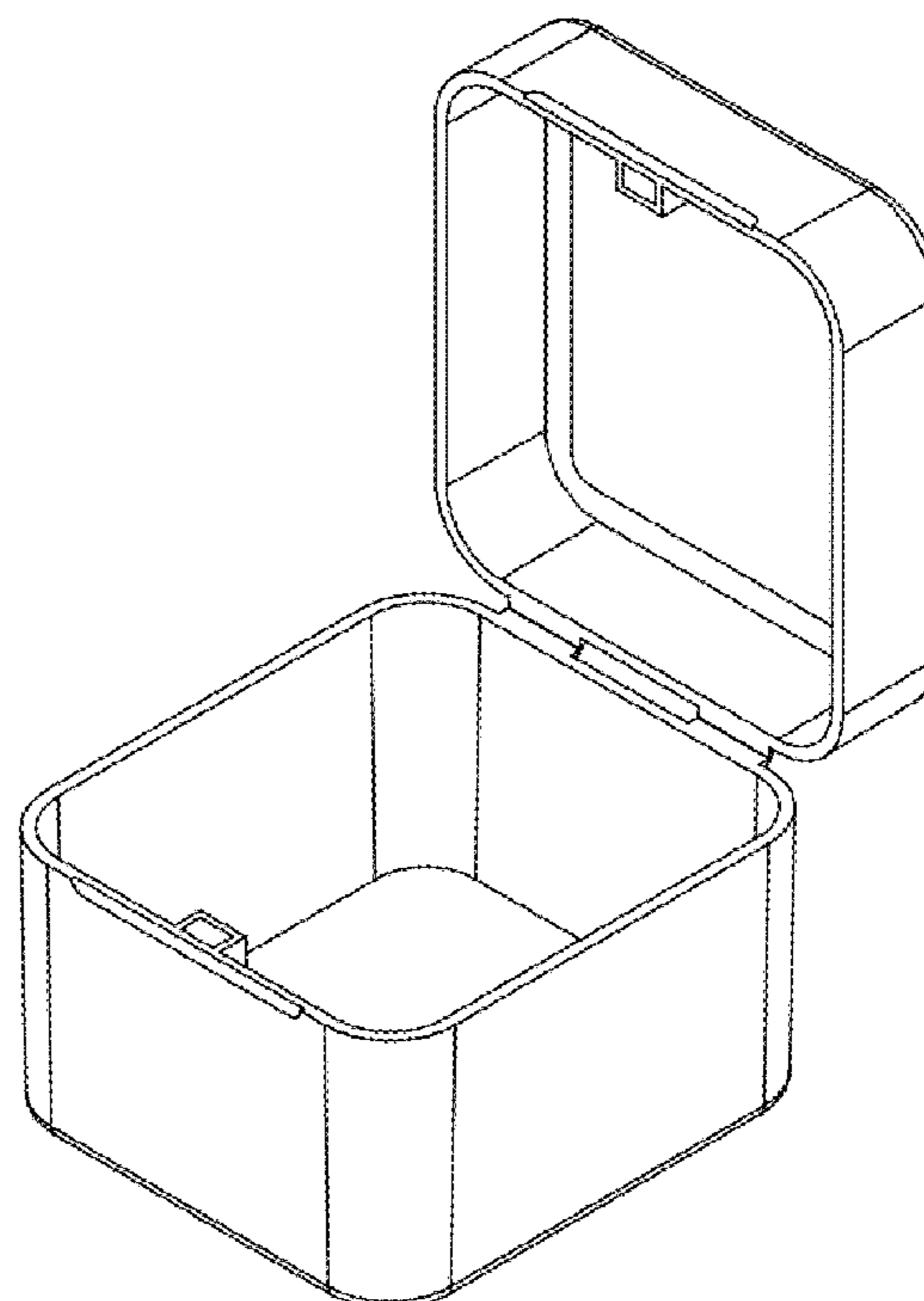
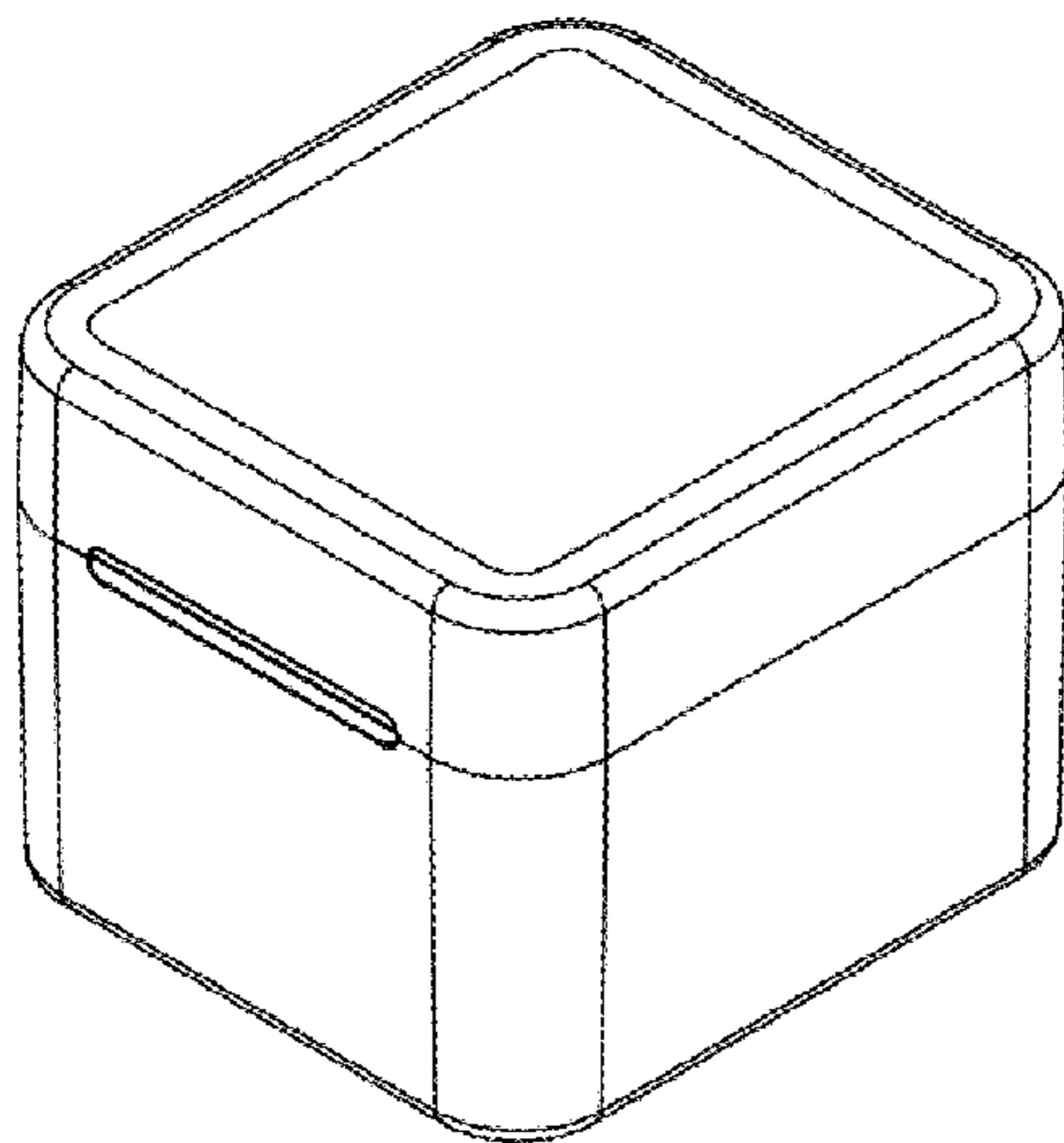


FIG.1

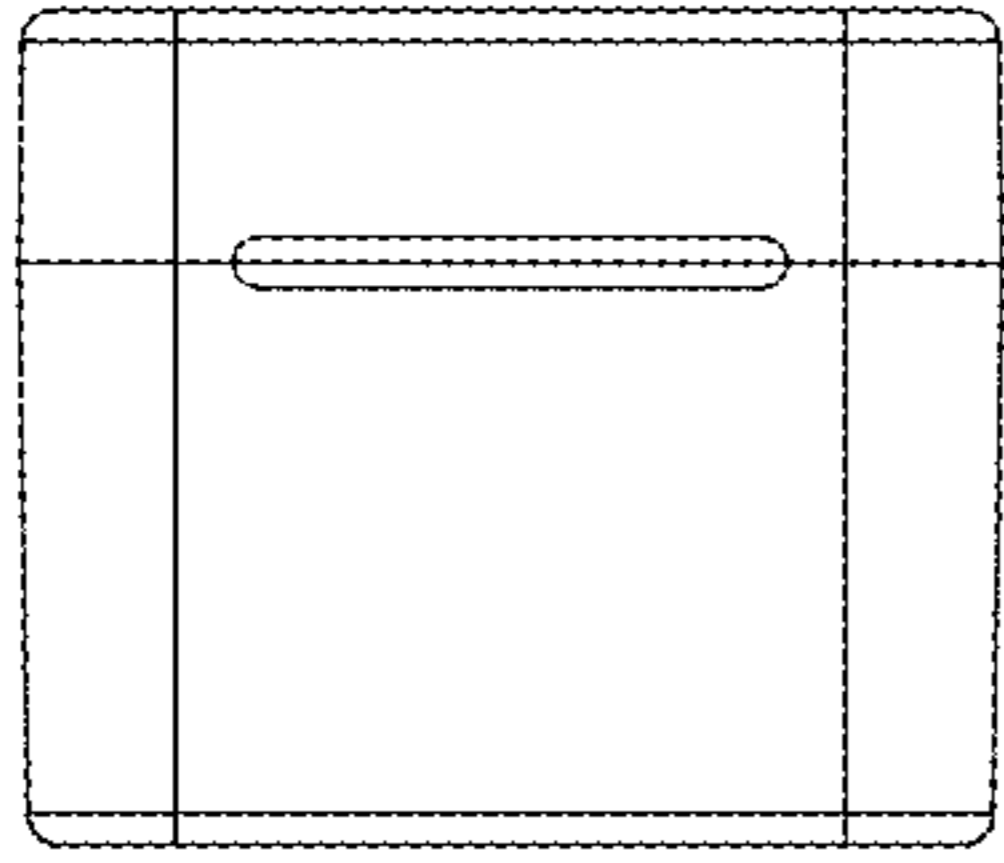


FIG.2

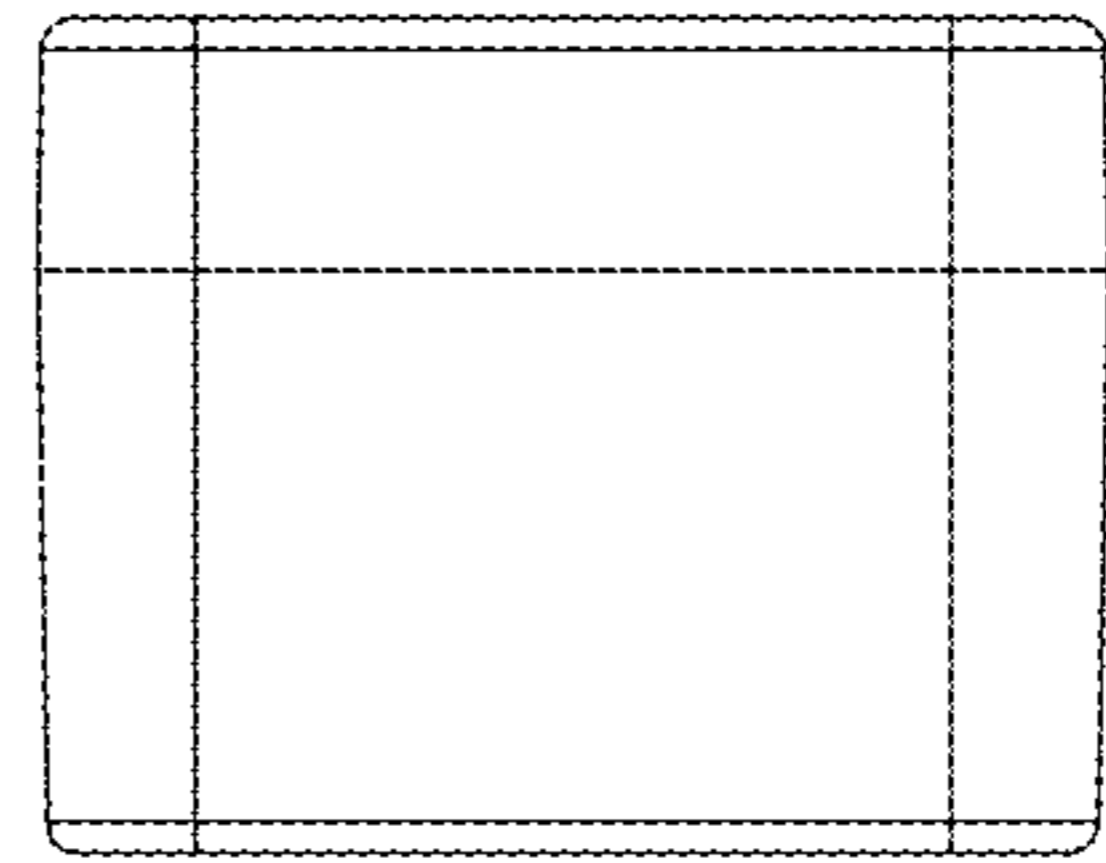


FIG.3

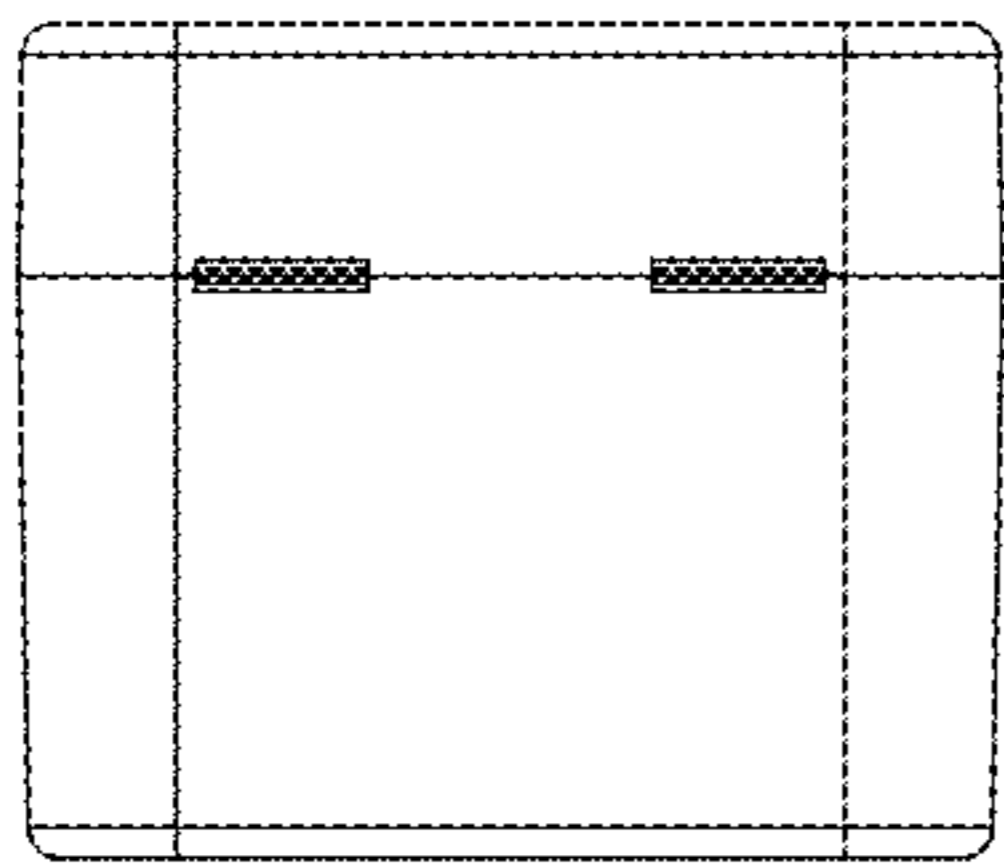


FIG.4

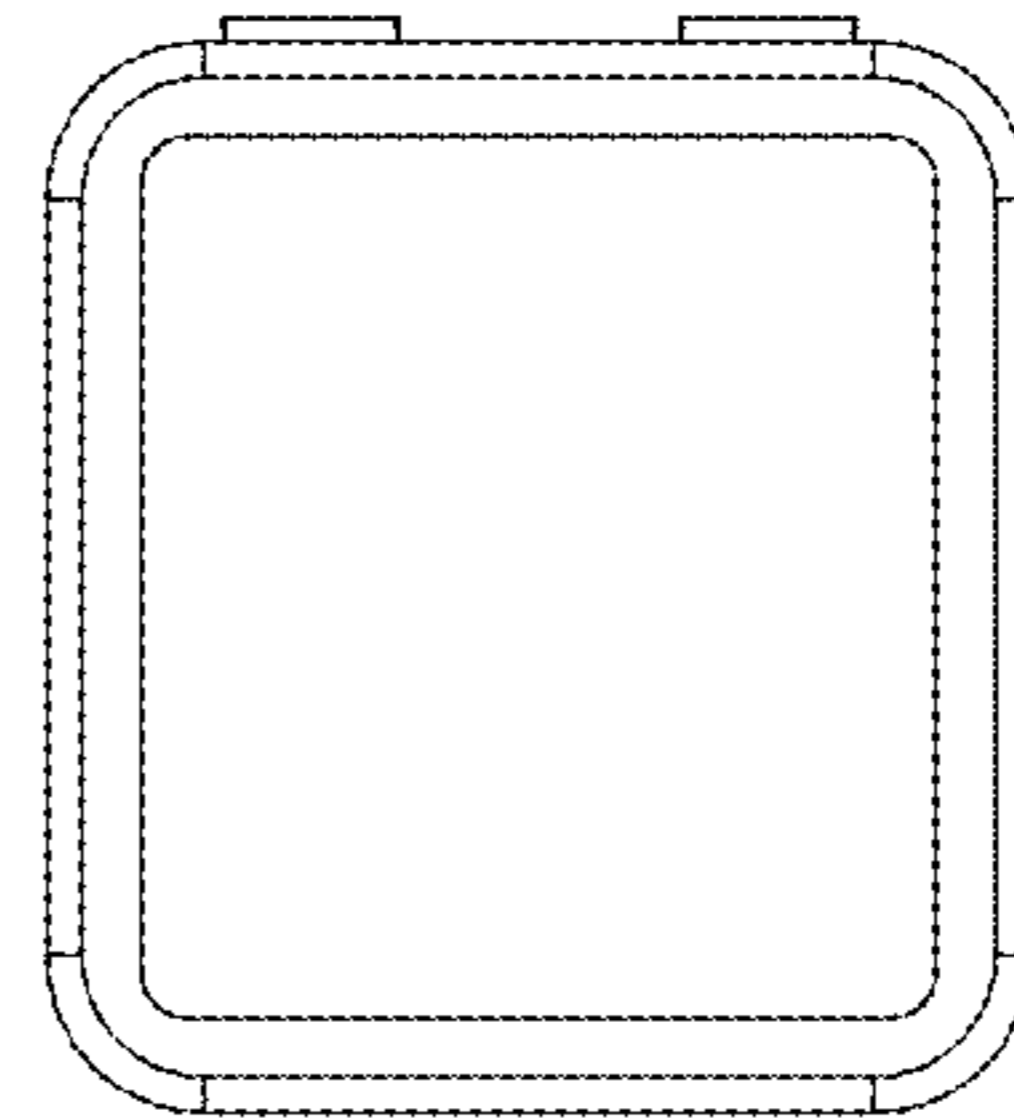


FIG.5

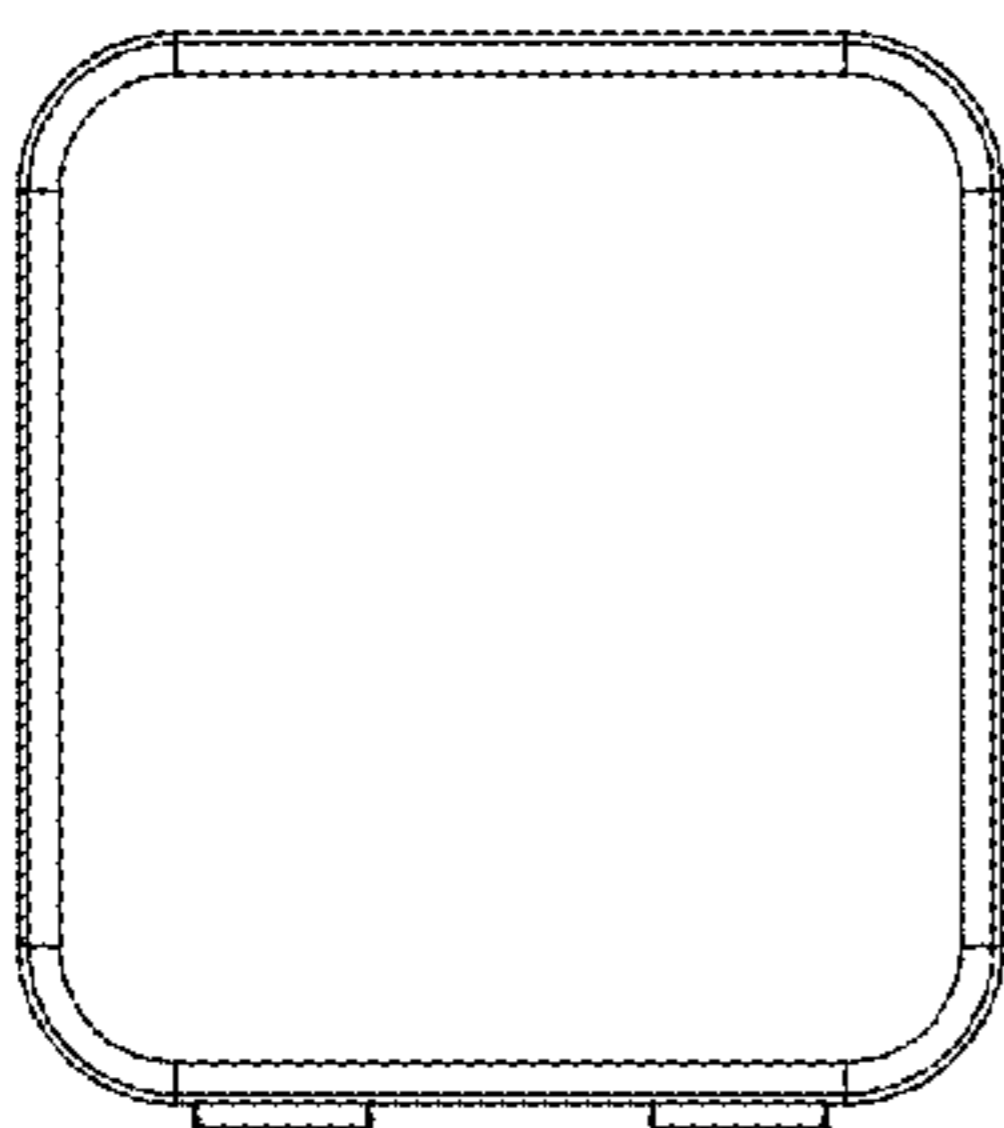


FIG.6

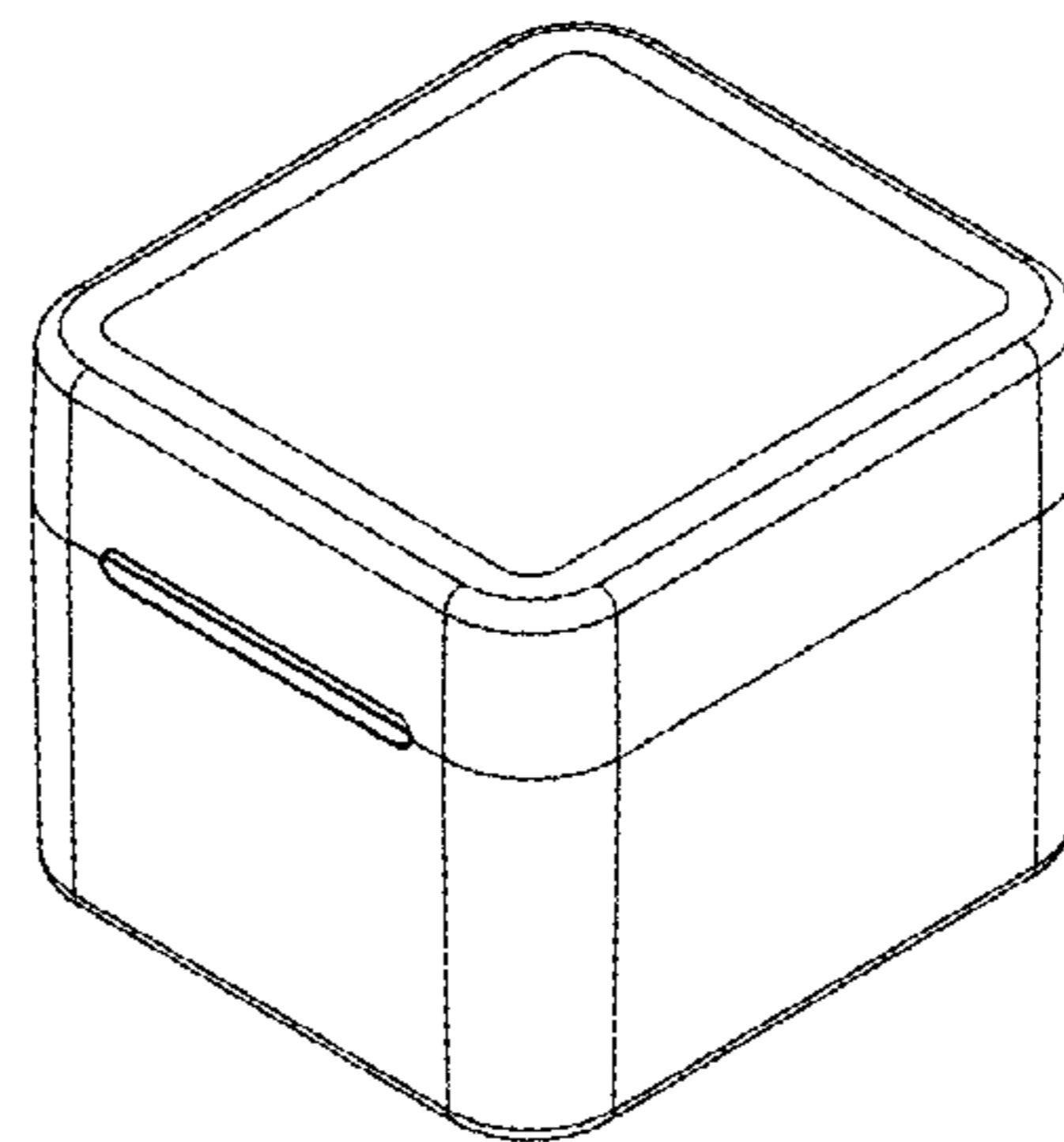


FIG.7

