



US00D864565S

(12) **United States Design Patent** (10) **Patent No.:** **US D864,565 S**
Lee et al. (45) **Date of Patent:** **** Oct. 29, 2019**

(54) **PROTECTIVE COVER SKIN FOR ELECTRONIC DEVICE**

(71) Applicant: **elago CO. LTD**, Goyang-si, Gyeonggi-do (KR)

(72) Inventors: **Chanwoo Lee**, Goyang-si (KR); **Chong Min Kim**, Seoul (KR)

(73) Assignee: **elago CO. LTD**, Goyang-si, Gyeonggi-Do (KR)

(**) Term: **15 Years**

(21) Appl. No.: **29/697,494**

(22) Filed: **Jul. 9, 2019**

(51) **LOC (12) Cl.** **03-01**

(52) **U.S. Cl.**

USPC **D3/271.1; D3/302**

(58) **Field of Classification Search**

USPC D3/201, 208, 212, 271.1, 273, 294, 218, D3/215, 269, 270, 302; D9/711, 455; D14/217, 221, 223, 496; D13/118

CPC A45C 13/002; A45C 2011/001; H04R 1/1025

See application file for complete search history.

(56) **References Cited**

U.S. PATENT DOCUMENTS

D285,687 S * 9/1986 Manock D14/337
D312,629 S * 12/1990 Esslinger D14/371
D569,720 S 5/2008 Lablaine
D581,155 S 11/2008 Richardson et al.

(Continued)

FOREIGN PATENT DOCUMENTS

CN 303092529 2/2015
CN 303163666 4/2015

(Continued)

OTHER PUBLICATIONS

Wikipedia, "Macintosh 128K", Release date of article Jan. 24, 1984. (https://en.wikipedia.org/wiki/Macintosh_128K) (Year: 1984).*

(Continued)

Primary Examiner — April Rivas

(74) *Attorney, Agent, or Firm* — Paratus Law Group, PLLC

(57) **CLAIM**

The ornamental design for a protective cover skin for electronic device, as shown and described.

DESCRIPTION

FIG. 1 is a front, top and left perspective view of a protective cover skin for electronic device, showing the claimed design;

FIG. 2 is a front view thereof;

FIG. 3 is a back view thereof;

FIG. 4 is a left side view thereof;

FIG. 5 is a right side view thereof;

FIG. 6 is a top view thereof;

FIG. 7 is a bottom view thereof;

FIG. 8 is a rear, bottom and left perspective view thereof;

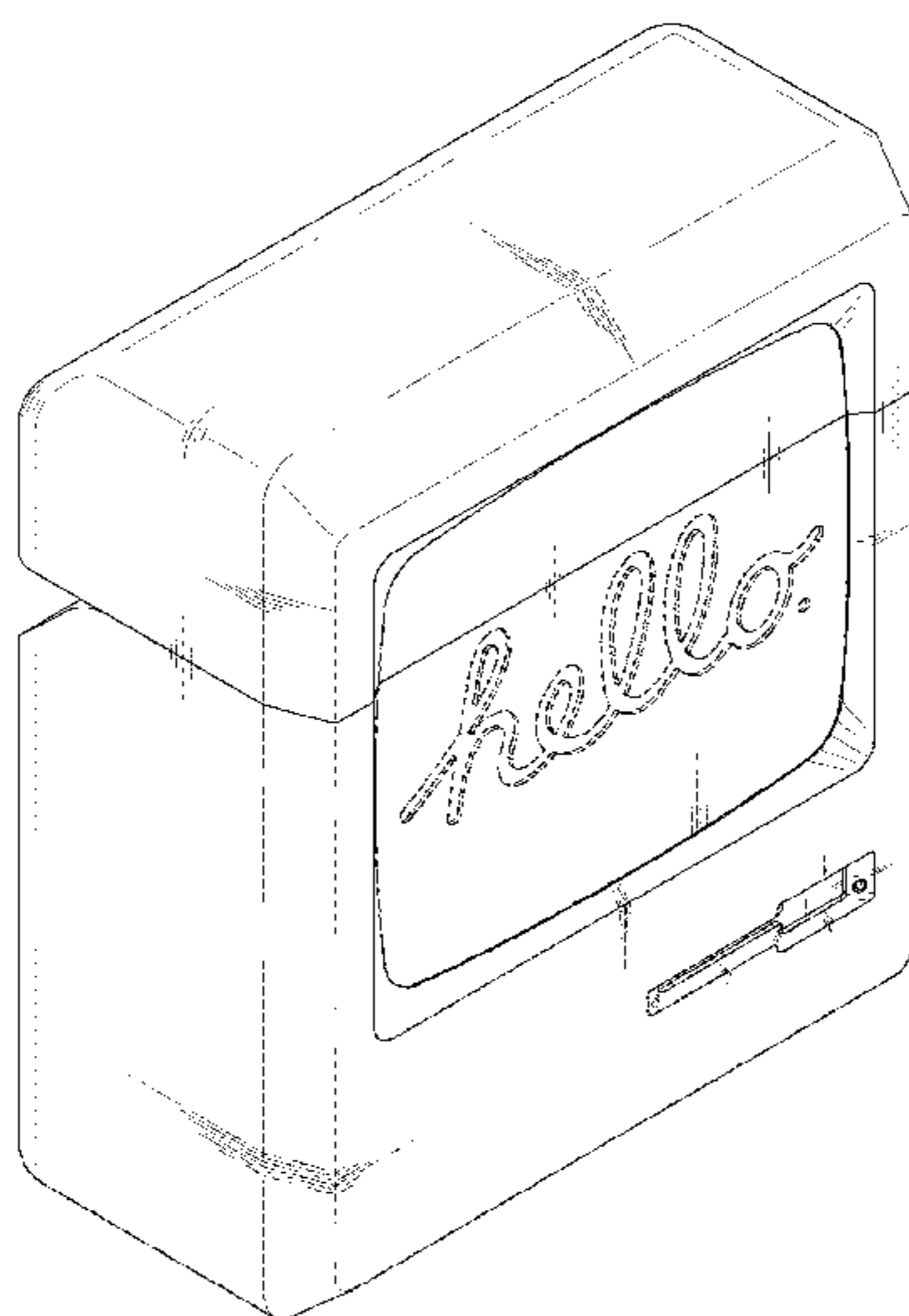
FIG. 9 is an exploded rear, bottom and left perspective view thereof; and,

FIG. 10 is a front, top and right perspective view thereof with a top portion open in use.

The letters and period shown in broken line in FIGS. 1, 2, and 10 illustrate portions of the protective cover skin for electronic device and form no part of the claimed design.

The broken lines shown in FIGS. 3 and 9 depict parts of the protective cover skin for electronic device, but form no part of the claimed design. The broken lines shown in FIG. 10, except the letters and the period, depict environment and form no part of the claimed design.

1 Claim, 9 Drawing Sheets



(56)

References Cited

U.S. PATENT DOCUMENTS

D587,008 S 2/2009 Richardson et al.
7,775,354 B2 * 8/2010 Latchford A45C 11/00
150/165
D691,372 S * 10/2013 Chun D3/294
D762,466 S 8/2016 Angeloni et al.
D775,463 S 1/2017 Shieh
D794,617 S * 8/2017 Wright D14/203.3
D804,806 S 12/2017 Stueckemann et al.
D826,152 S * 8/2018 Christiansen D13/108

FOREIGN PATENT DOCUMENTS

CN 304708016 7/2018
CN 304877424 11/2018
GB 6040802 8/2018

OTHER PUBLICATIONS

The Verge, "This retro Mac-shaped iPhone stand looks nice, but is kind of pointless", Published Apr. 23, 2017. (<https://www.theverge.com/2017/4/23/15388616/elago-m4-retro-macintosh-iphone-stand-expensive>) (Year: 2017).*

Amazon, "Mulafnxal Compatible with Airpods 1&2 Case,Cute 3D Funny Cartoon Character Silicone Airpod Cover . . .", First on sale May 27, 2019. (<https://www.amazon.com/dp/B070J69KL6>) (Year: 2019).*

* cited by examiner

FIG. 1

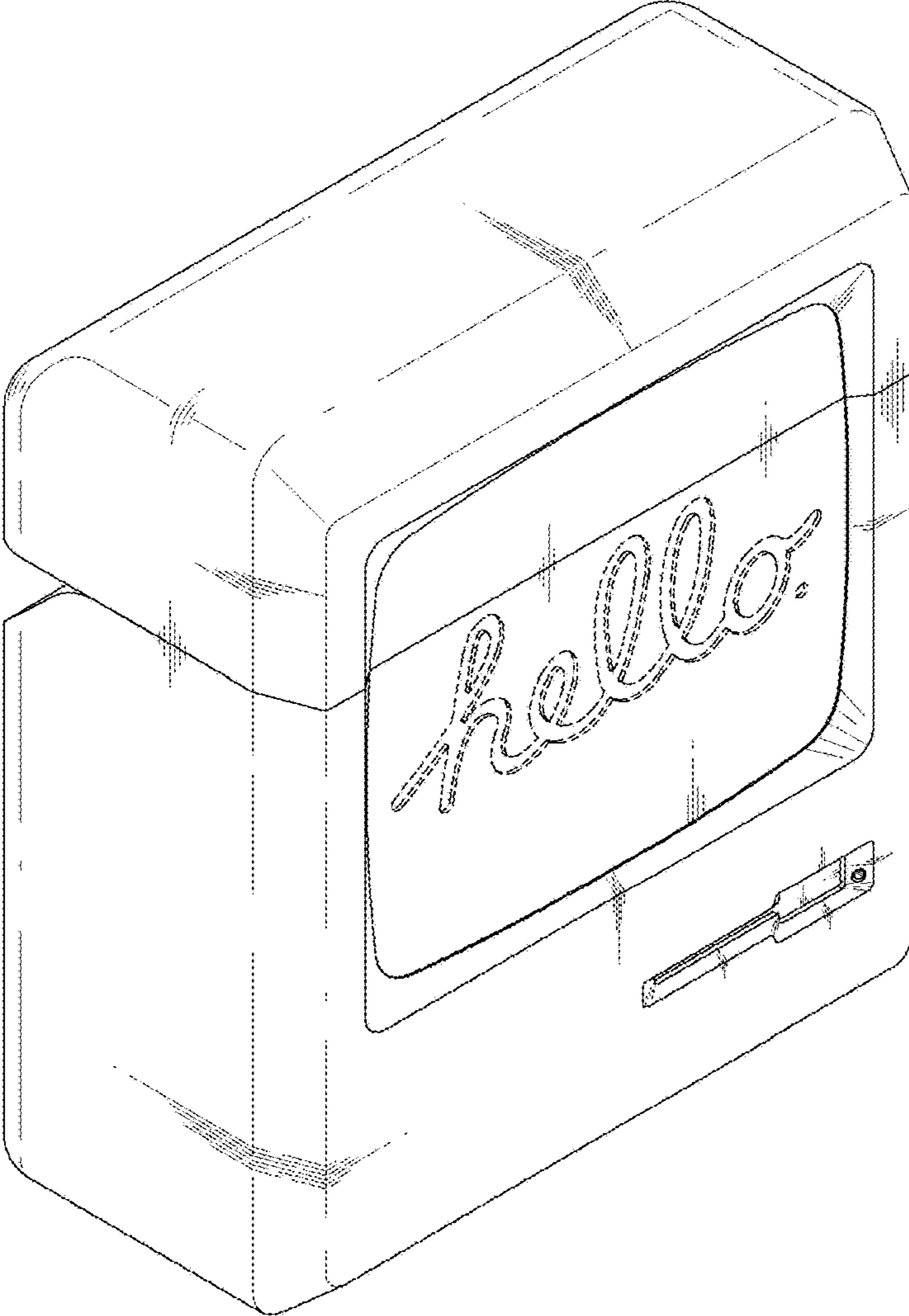


FIG. 2

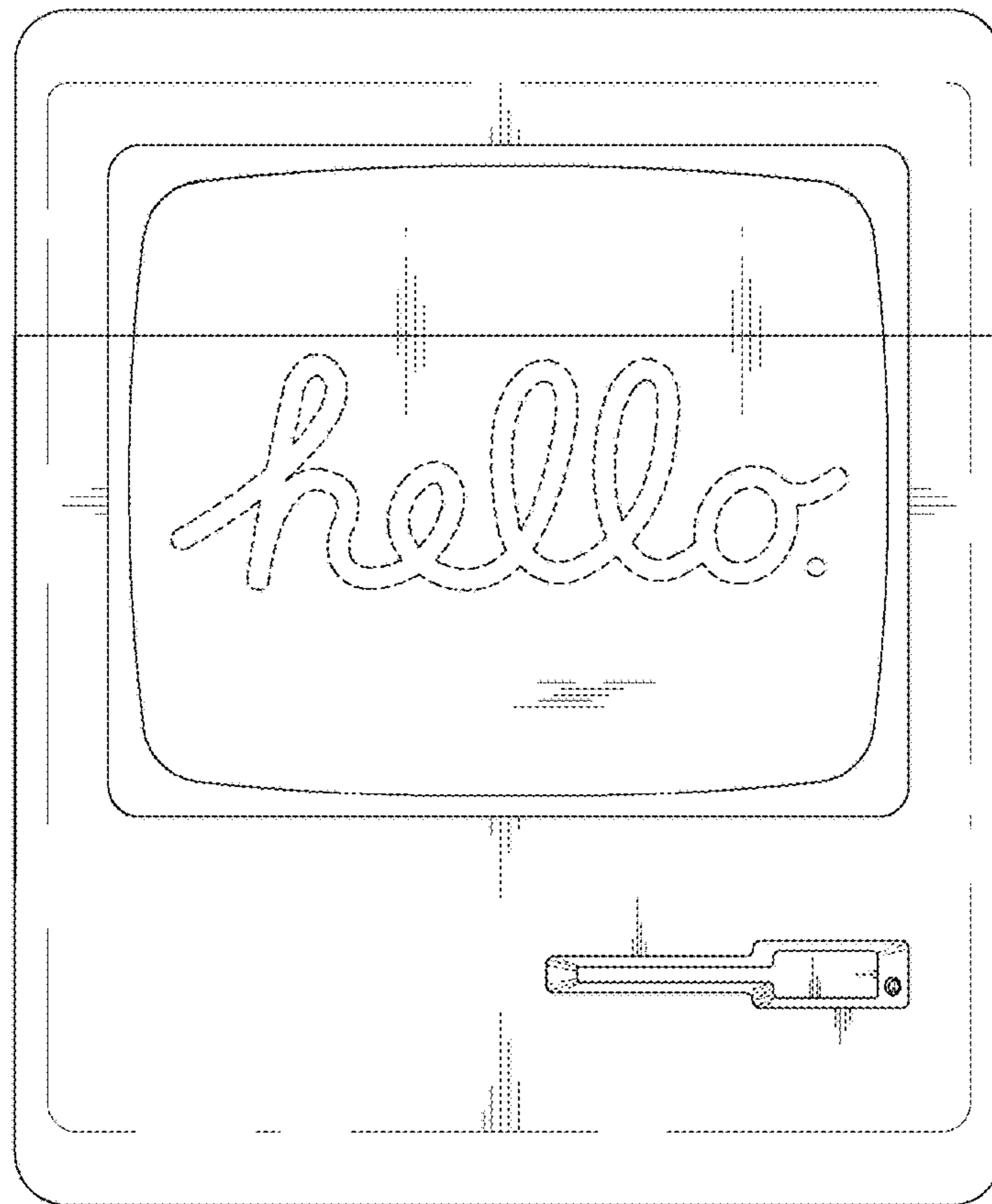


FIG. 3

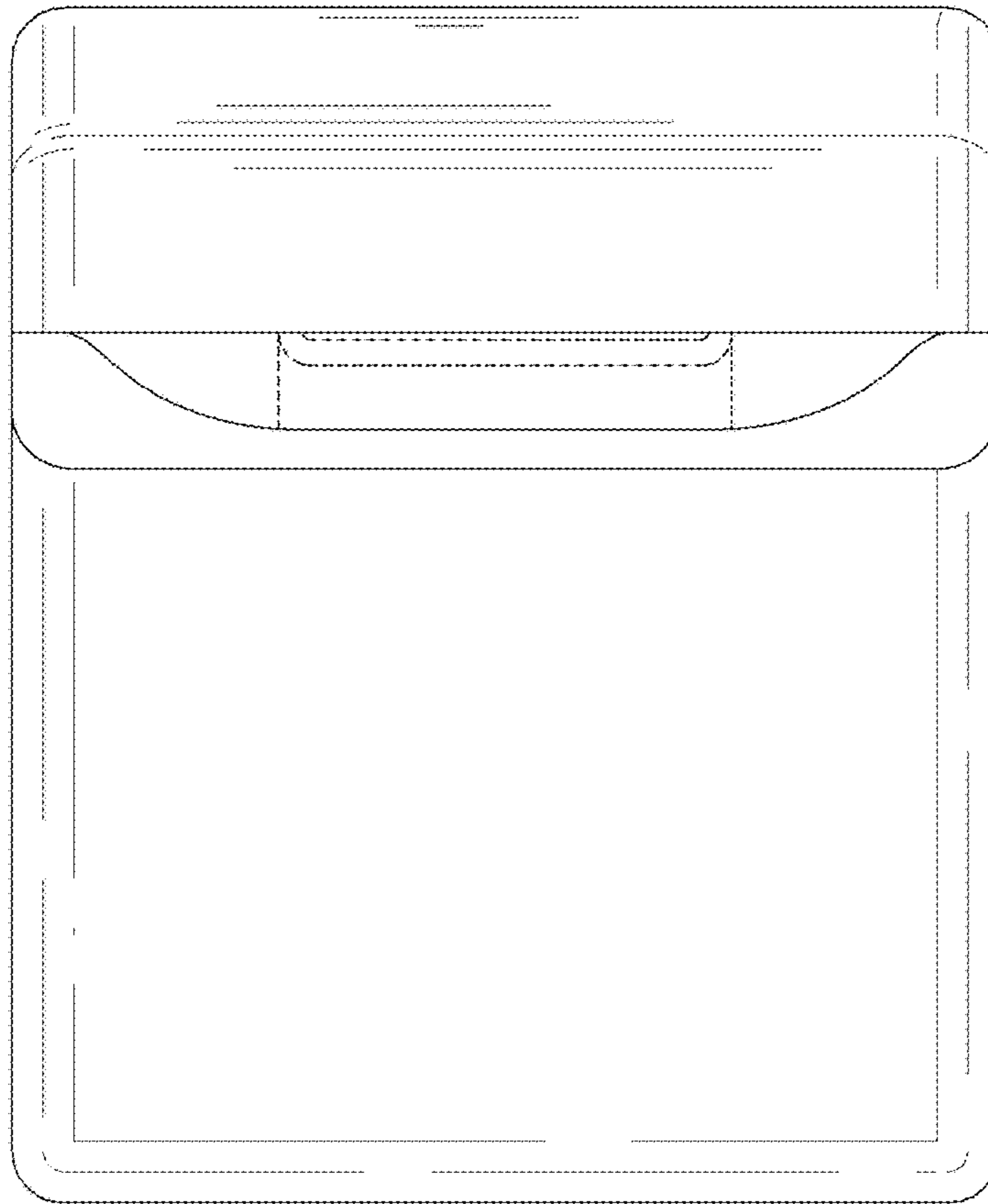


FIG. 4

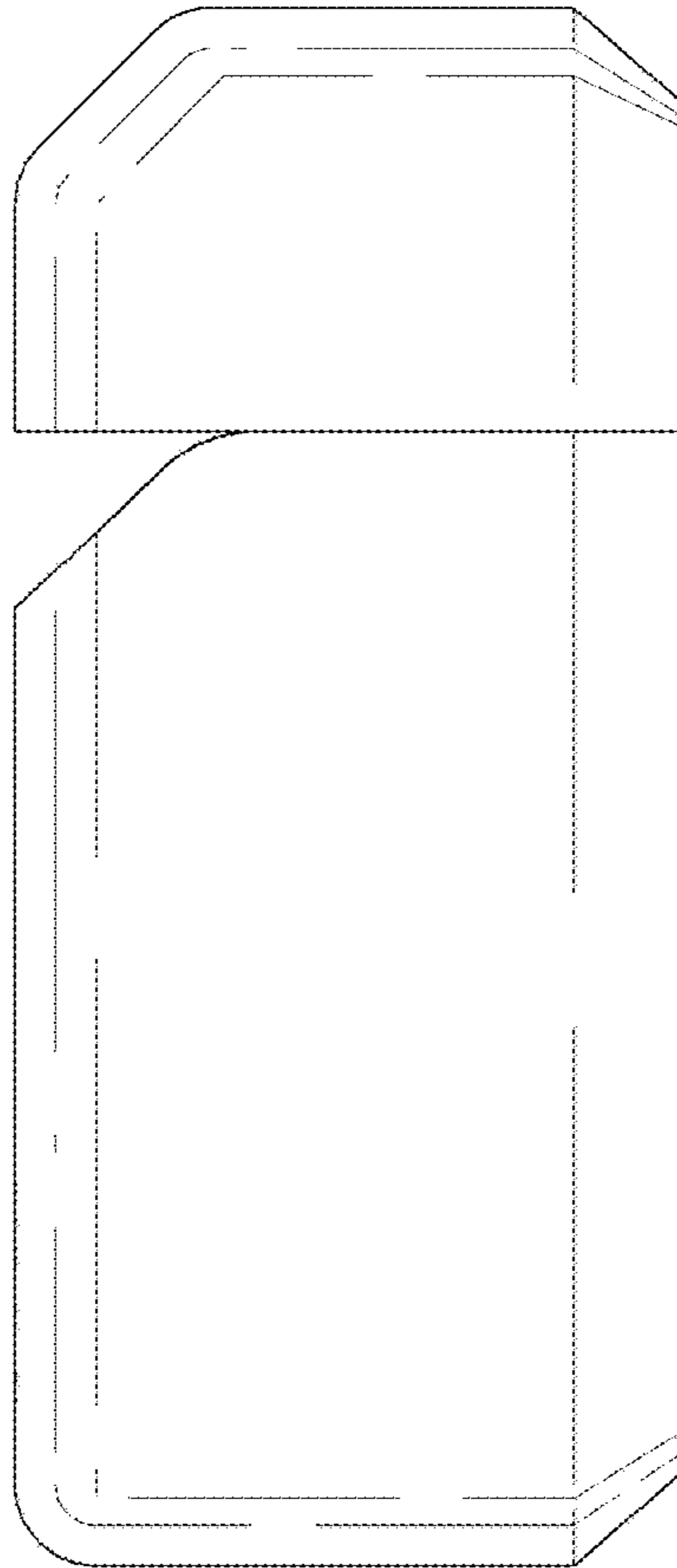


FIG. 5

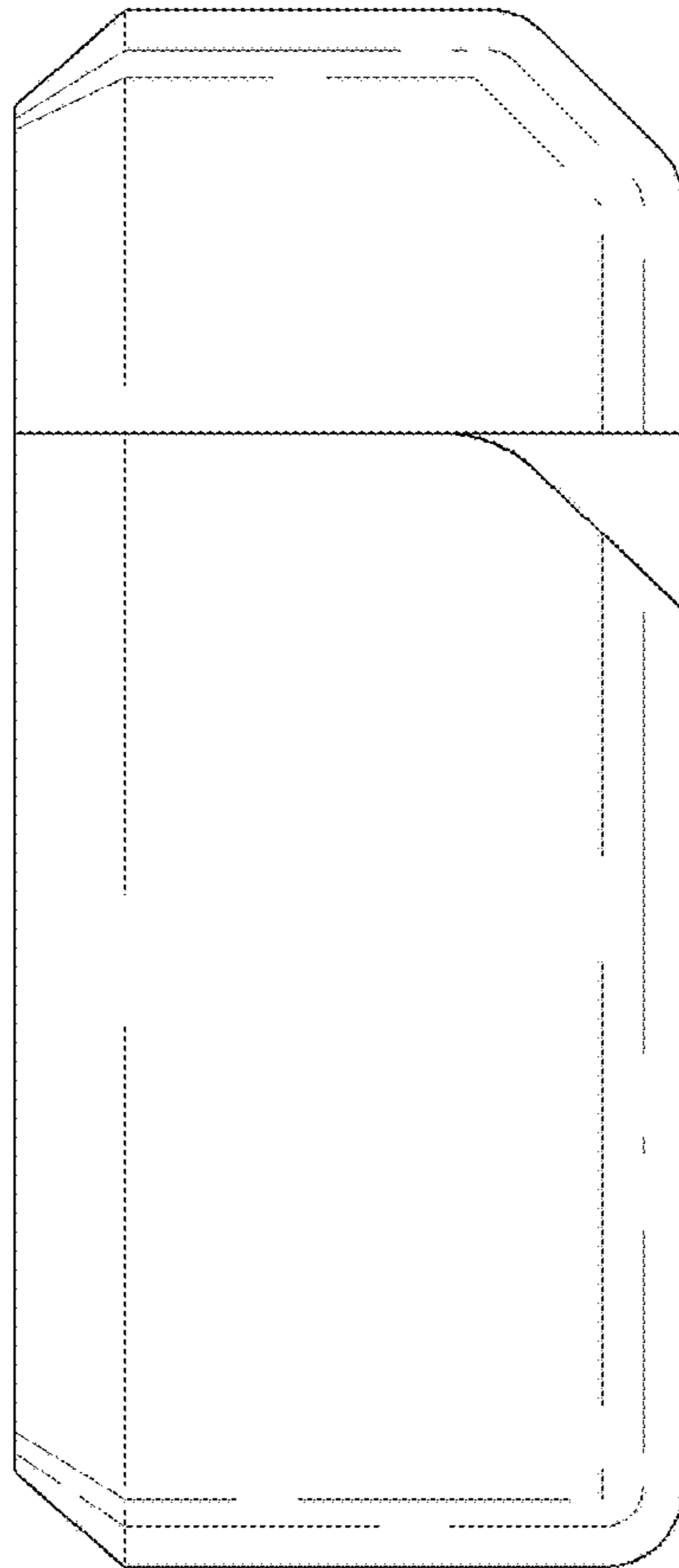


FIG. 6

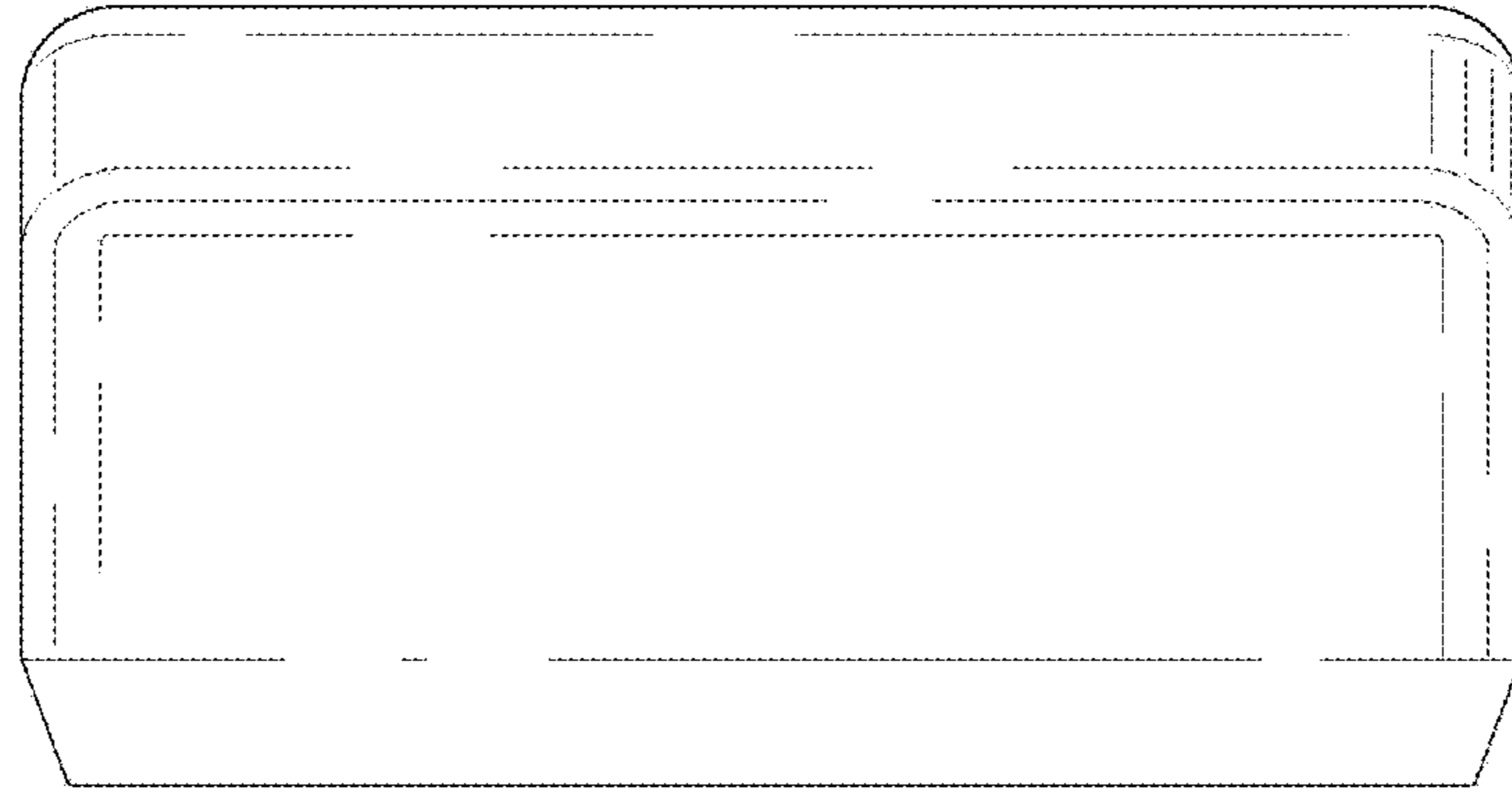


FIG. 7

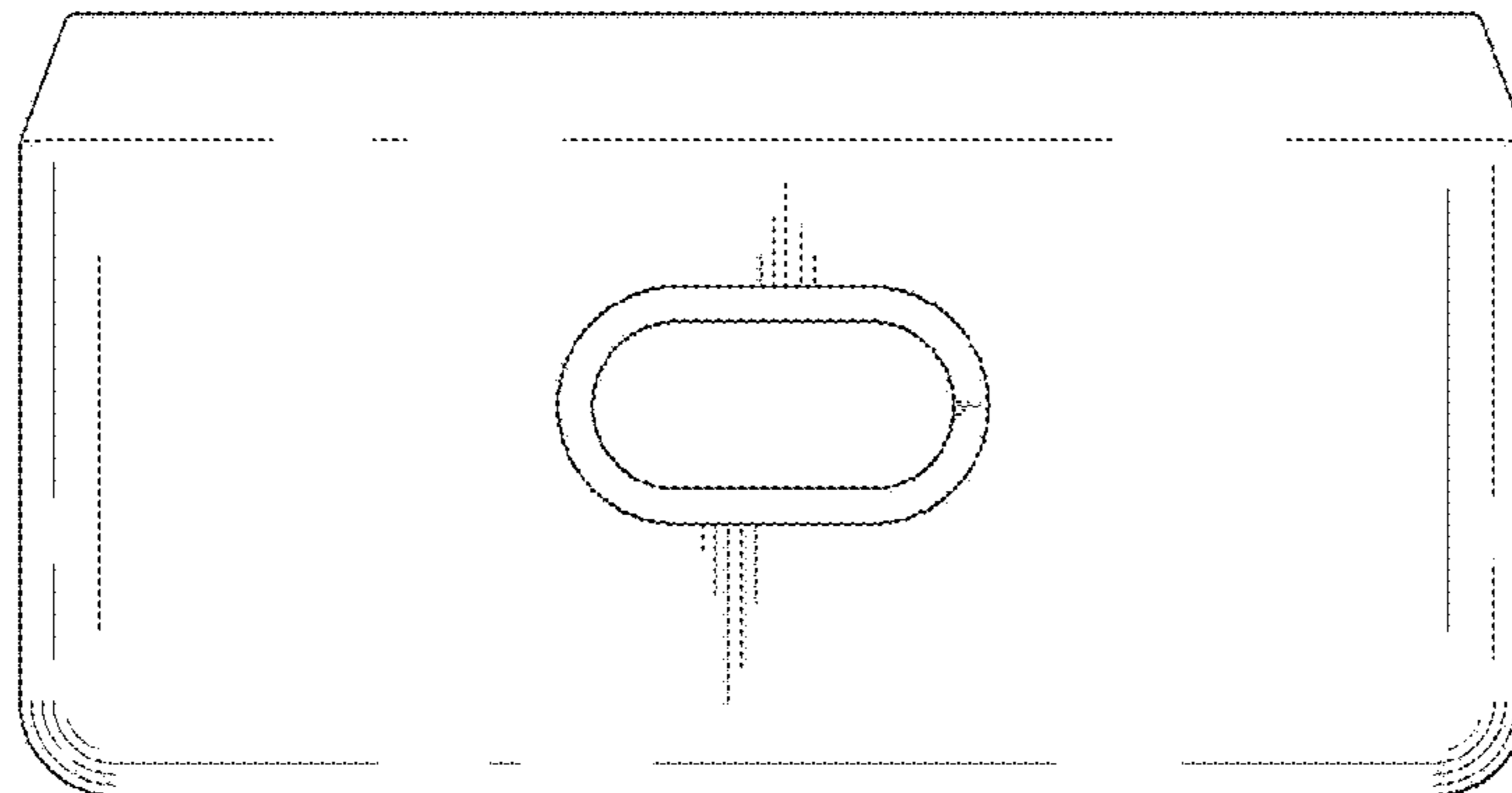


FIG. 8

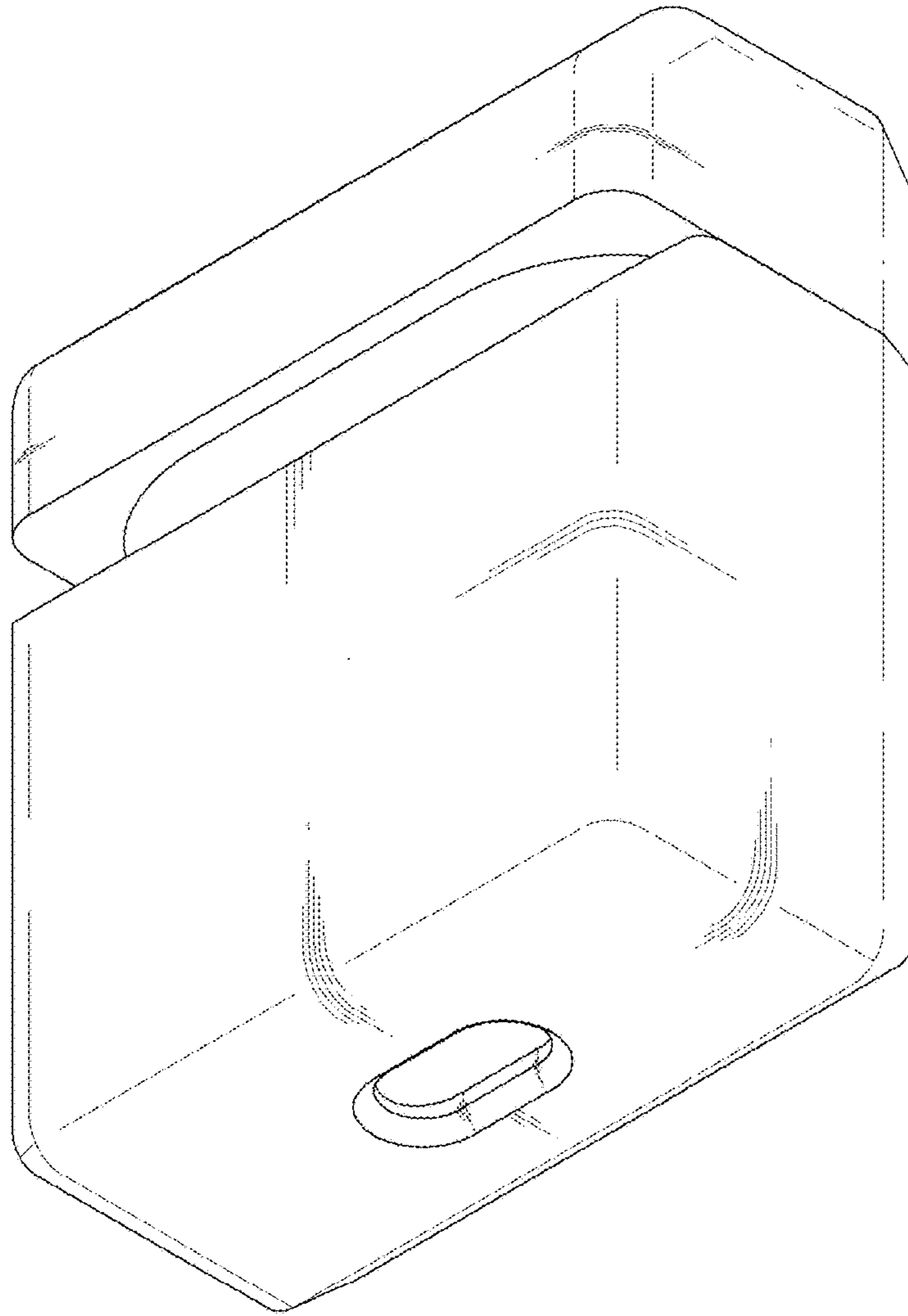


FIG. 9

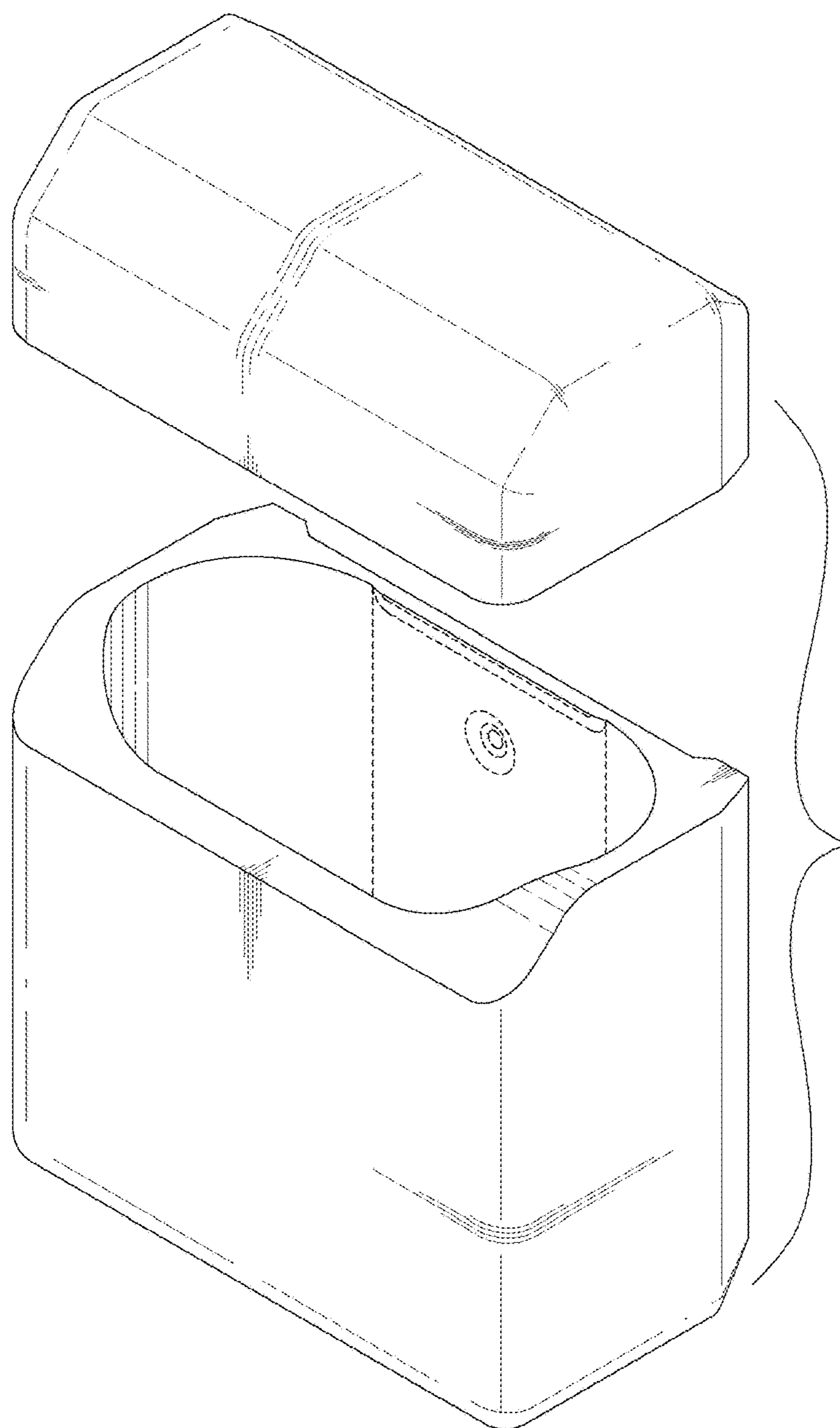


FIG. 10

