

US00D864560S

(12) **United States Design Patent** (10) **Patent No.:** **US D864,560 S**
Saxena (45) **Date of Patent:** **** Oct. 29, 2019**

(54) **PURSE**

D152,762 S * 2/1949 Williams D3/245
D788,459 S * 6/2017 Barnard D3/245

(71) Applicant: **SUMSAARA LLC**, San Jose, CA (US)

* cited by examiner

(72) Inventor: **Jannat Saxena**, San Jose, CA (US)

Primary Examiner — Holly H Baynham

(73) Assignee: **SUMSAARA LLC**, San Jose, CA (US)

(74) *Attorney, Agent, or Firm* — Knobbe, Martens, Olson & Bear, LLP

(**) Term: **15 Years**

(57) **CLAIM**

The ornamental design for the purse, as shown and described.

(21) Appl. No.: **29/631,572**

DESCRIPTION

(22) Filed: **Dec. 29, 2017**

(51) **LOC (12) Cl.** **03-01**

(52) **U.S. Cl.**

USPC **D3/232**

(58) **Field of Classification Search**

USPC D3/232–233, 240–243, 245–246

CPC A45C 1/024; A45C 3/06

See application file for complete search history.

FIG. 1 is a perspective view of a purse showing the new design in accordance with a first embodiment of the invention in a closed position.

FIG. 2 is a front view thereof in a closed position. The back view is a mirror image of the front view.

FIG. 3 is a left side view thereof in a closed position. The right side view is a mirror image of the left side view.

FIG. 4 is a top view thereof in a closed position.

FIG. 5 is a bottom view thereof in a closed position.

FIG. 6 is a perspective view thereof in an open position.

FIG. 7 is a front view thereof in an open position.

FIG. 8 is a back view thereof in an open position.

FIG. 9 is a left side view thereof in an open position. The right side view is a mirror image of the left side view; and,

FIG. 10 is a top view thereof in an open position. The bottom view is a mirror image of the top view.

(56) **References Cited**

U.S. PATENT DOCUMENTS

D126,220 S * 4/1941 Goldsmith 150/106
D132,694 S * 6/1942 Appel 150/118
D134,737 S * 1/1943 Woolums D3/245
D135,605 S * 5/1943 Kalisher 150/129

1 Claim, 10 Drawing Sheets

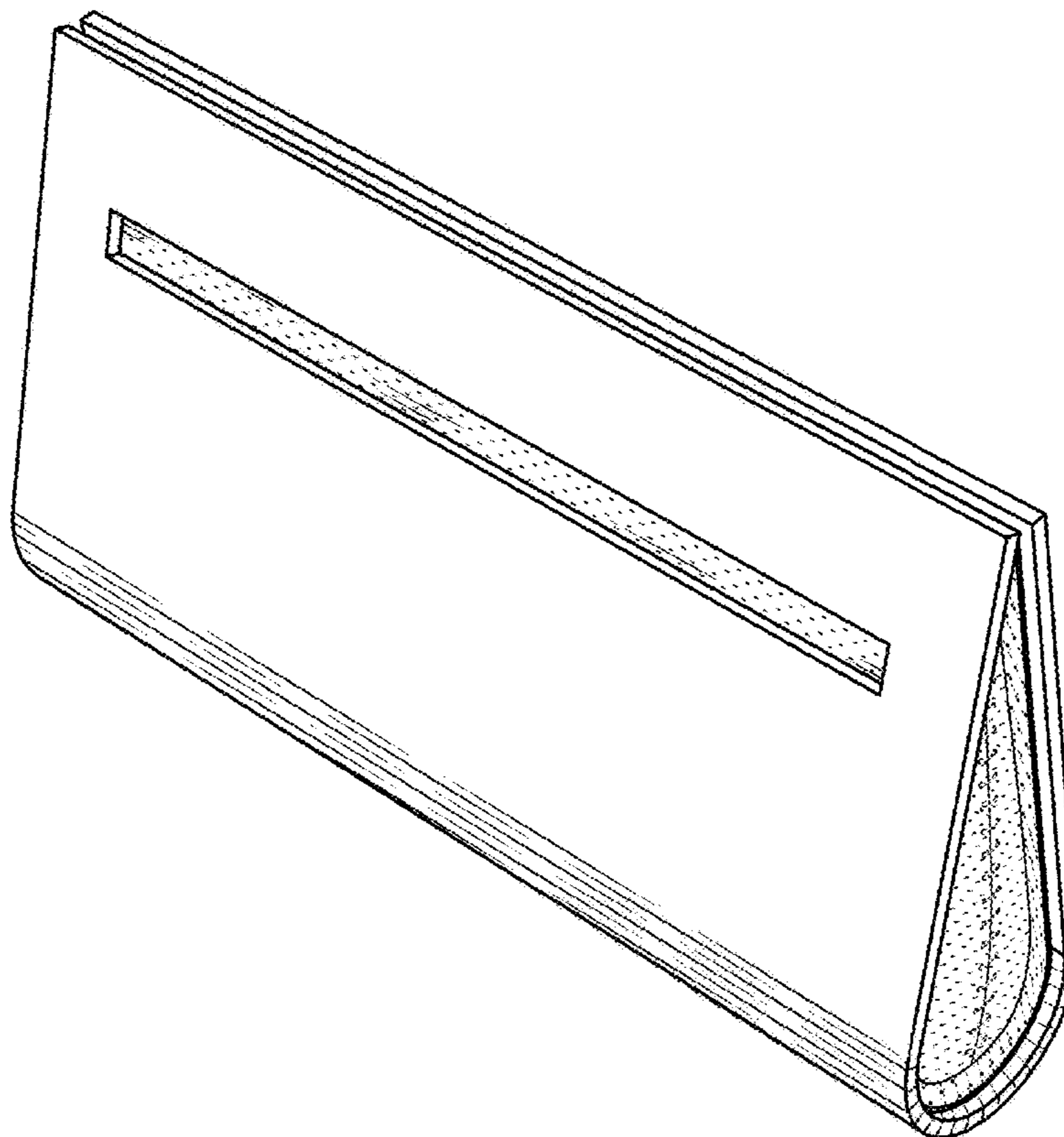


FIGURE 1

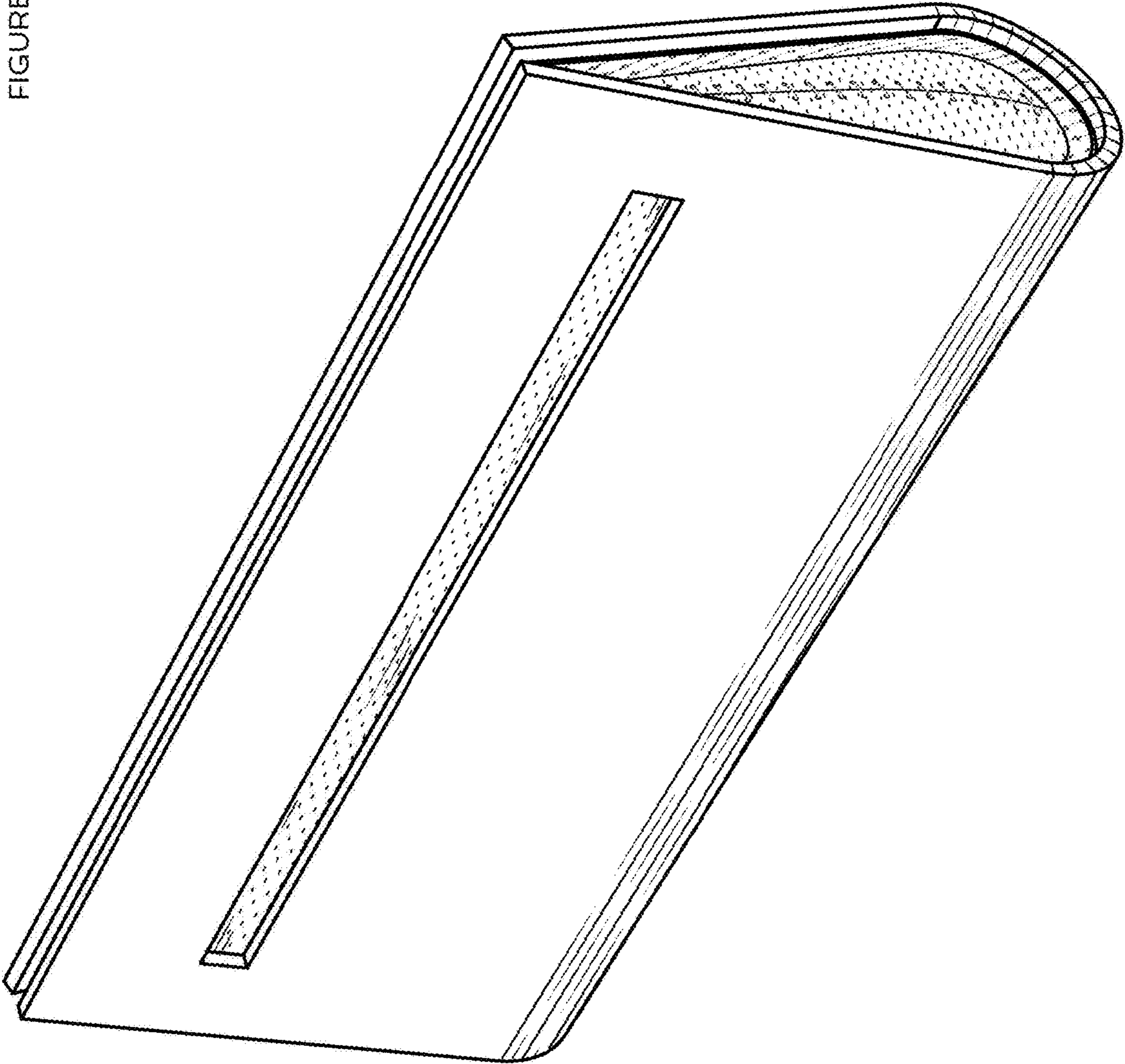


FIGURE 2

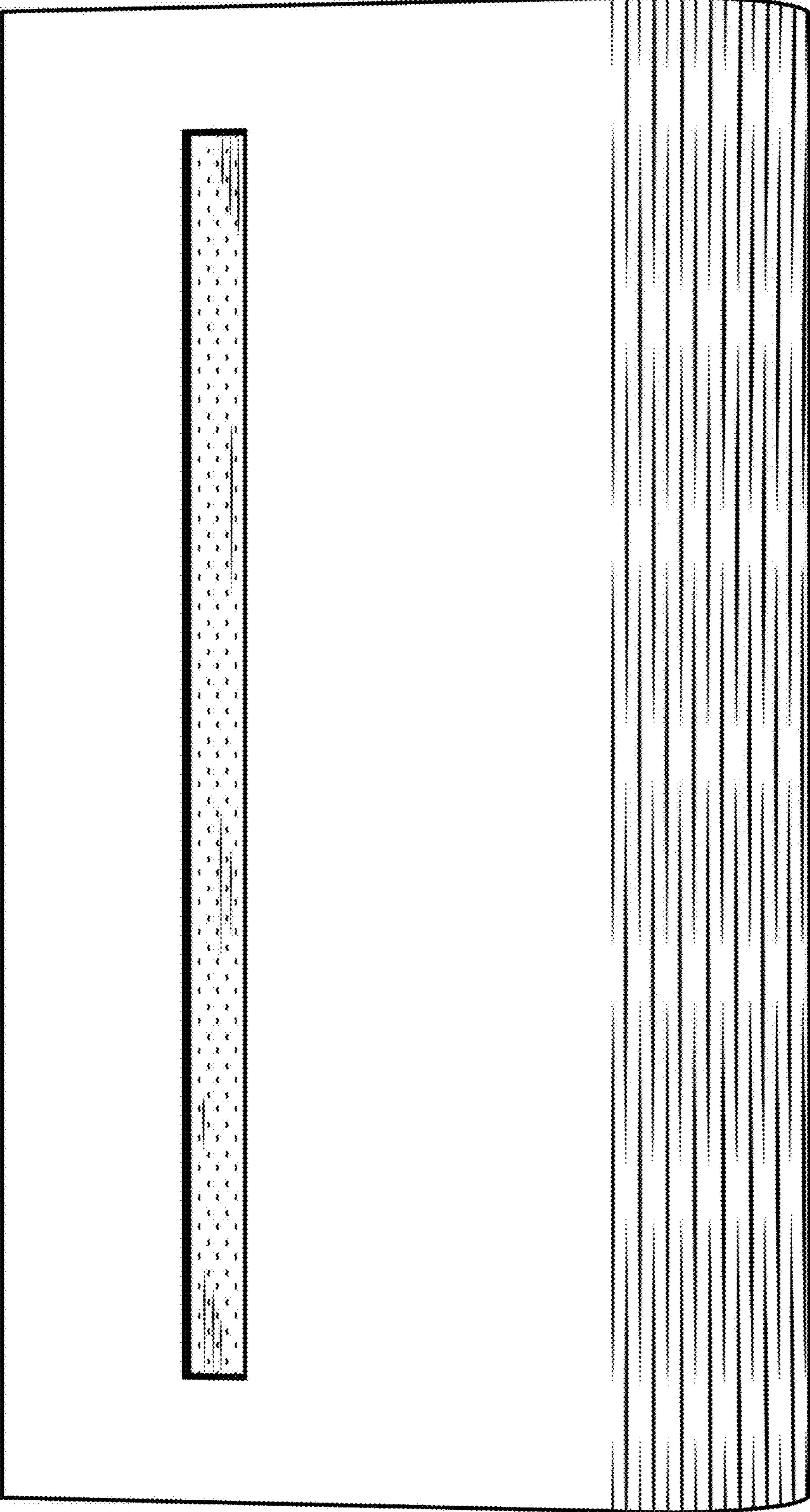


FIGURE 3

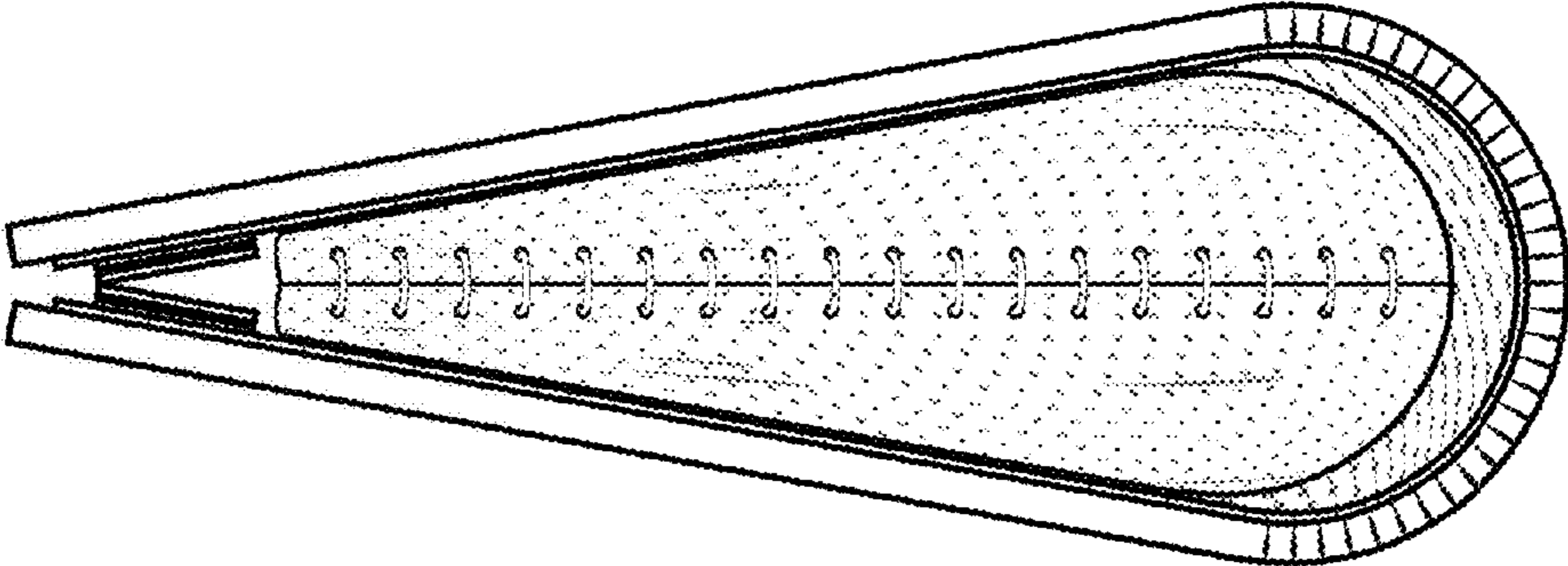


FIGURE 4

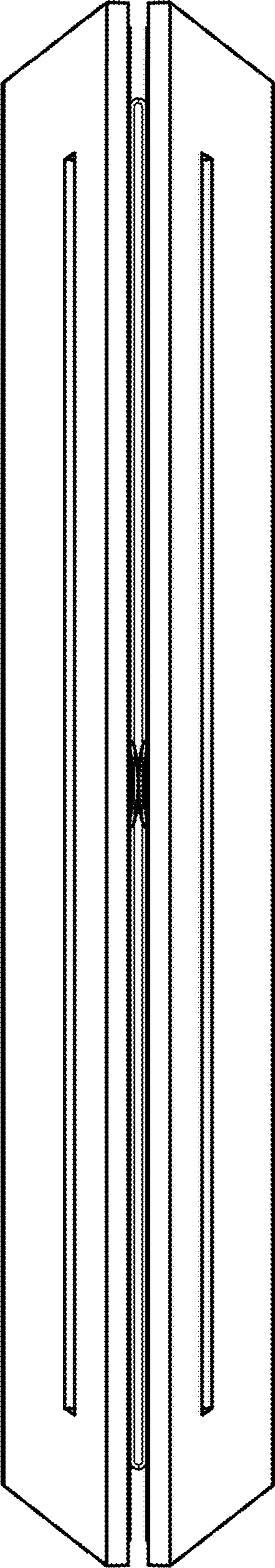


FIGURE 5

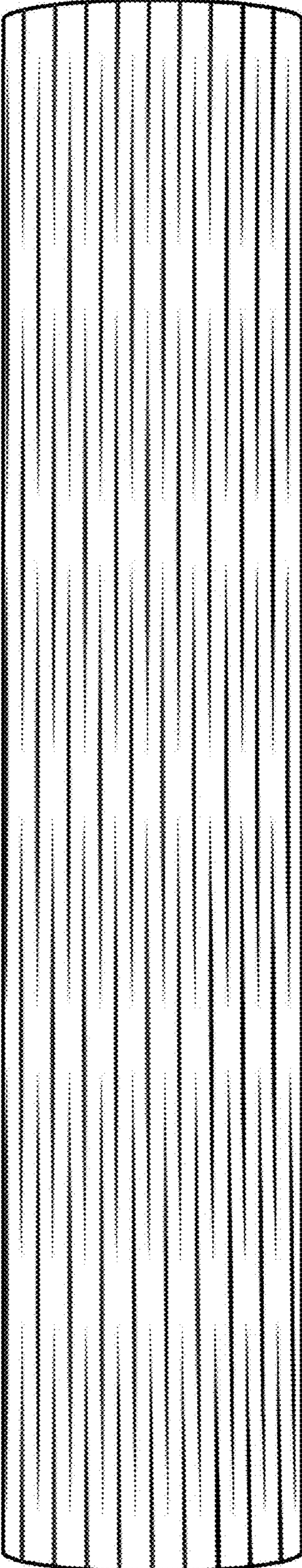


FIGURE 6

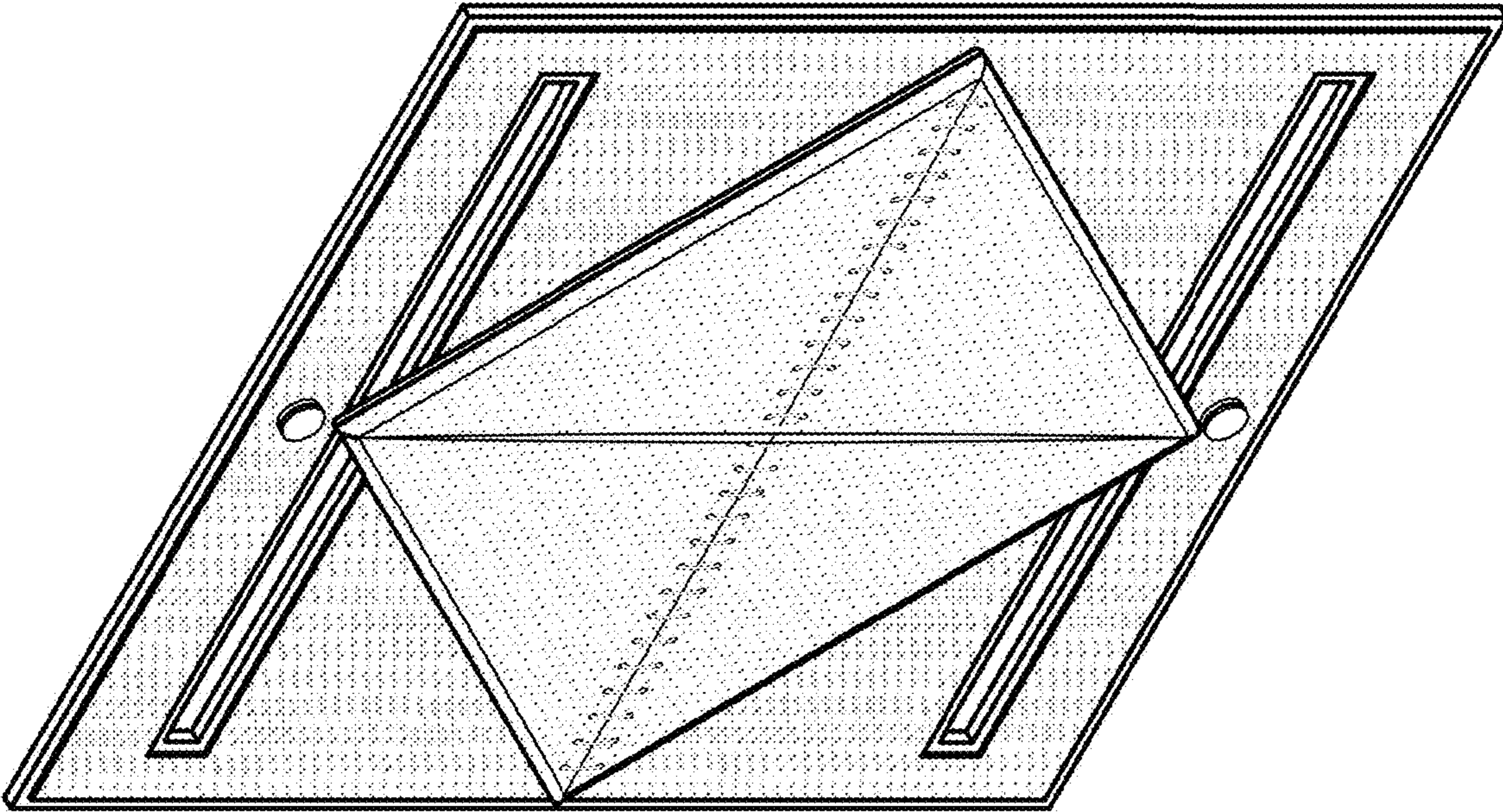


FIGURE 7

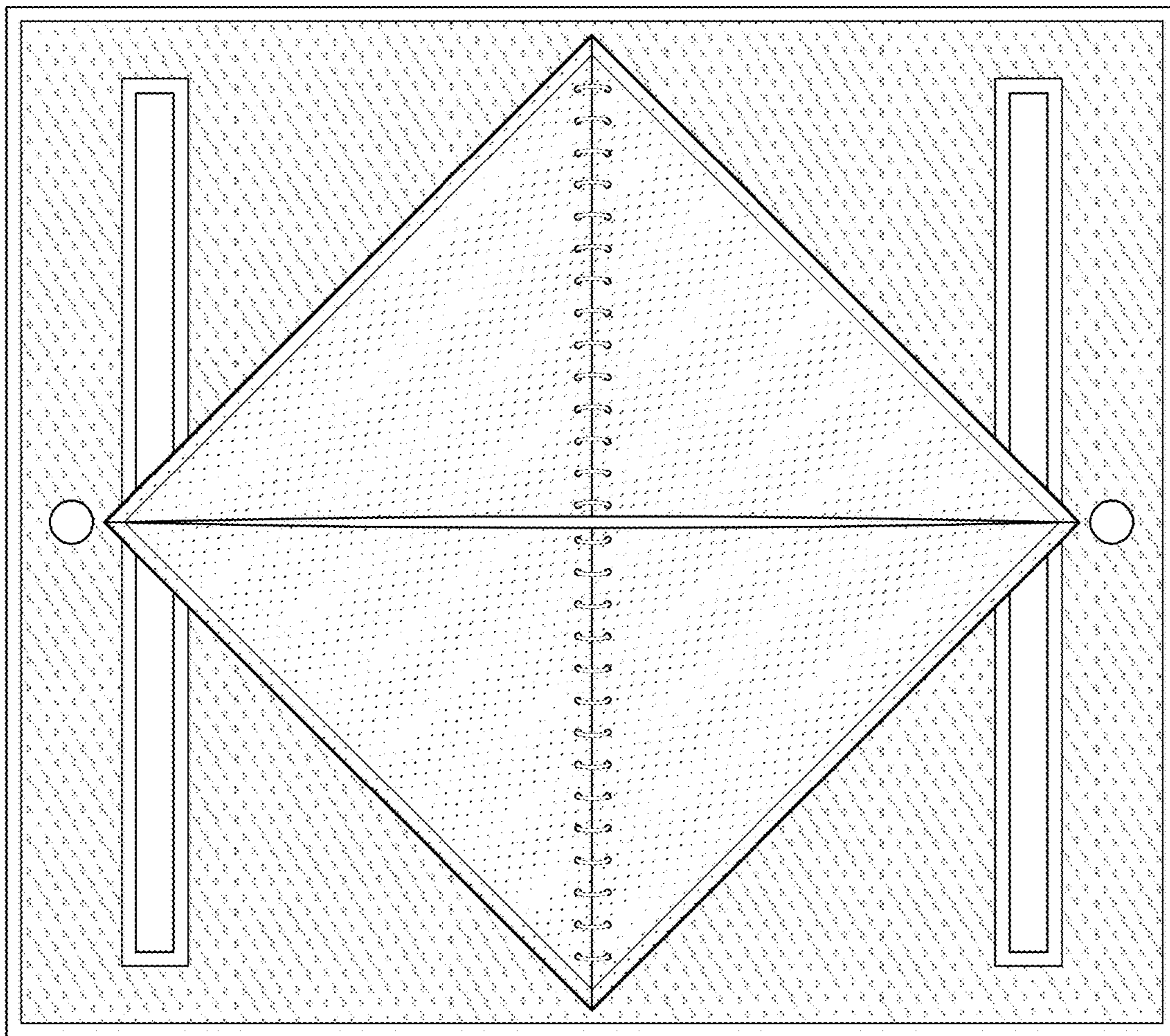


FIGURE 8

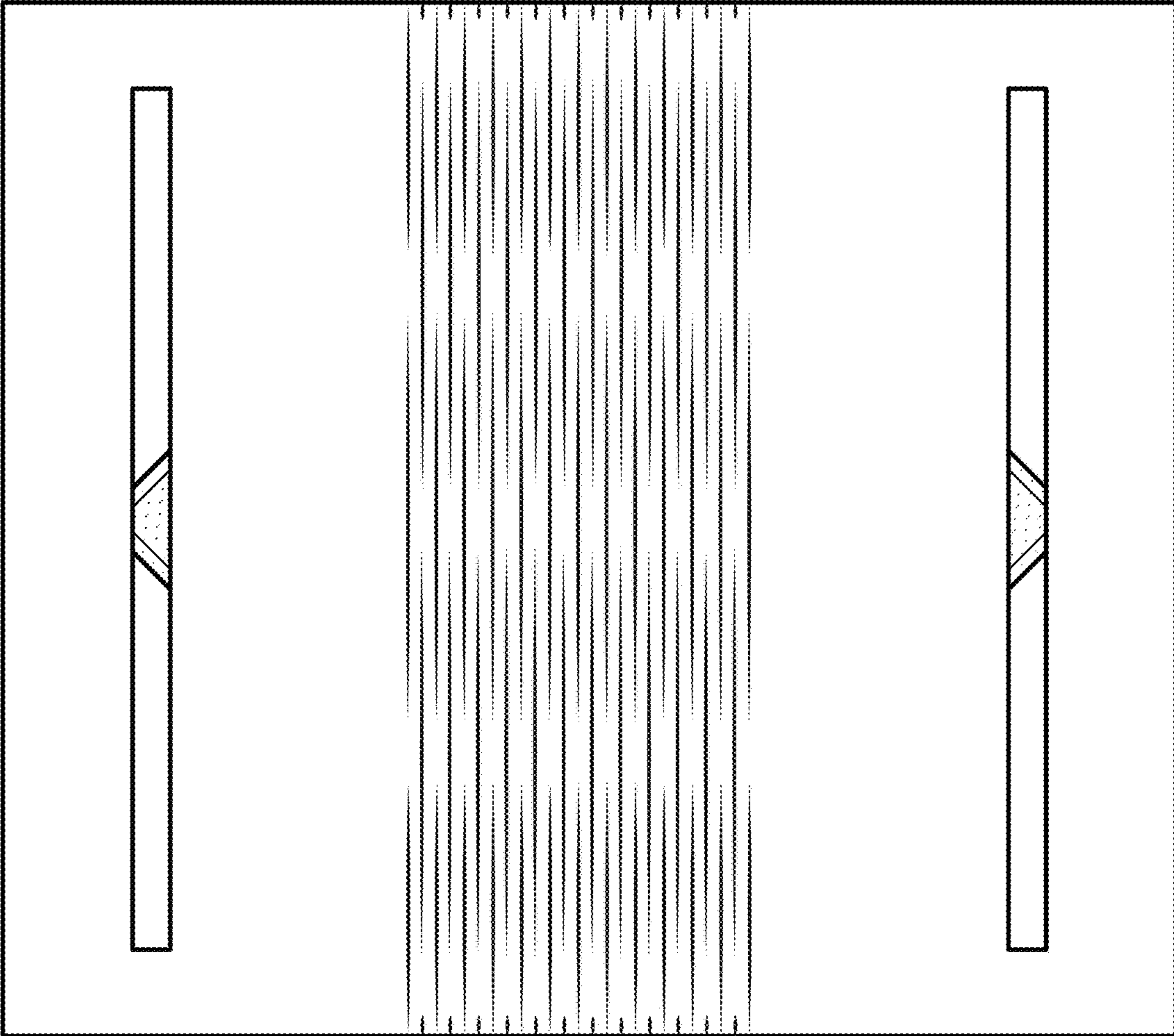


FIGURE 9



FIGURE 10

